

DEGSON是专业工业连接器制造商，能为客户提供定制化的解决方案。  
 DEGSON is a professional industrial connector manufacturer that offers customized solutions to customers.



**DEGSON**  
 宁波高松电子有限公司  
 DEGSON ELECTRONICS CO.,LTD.

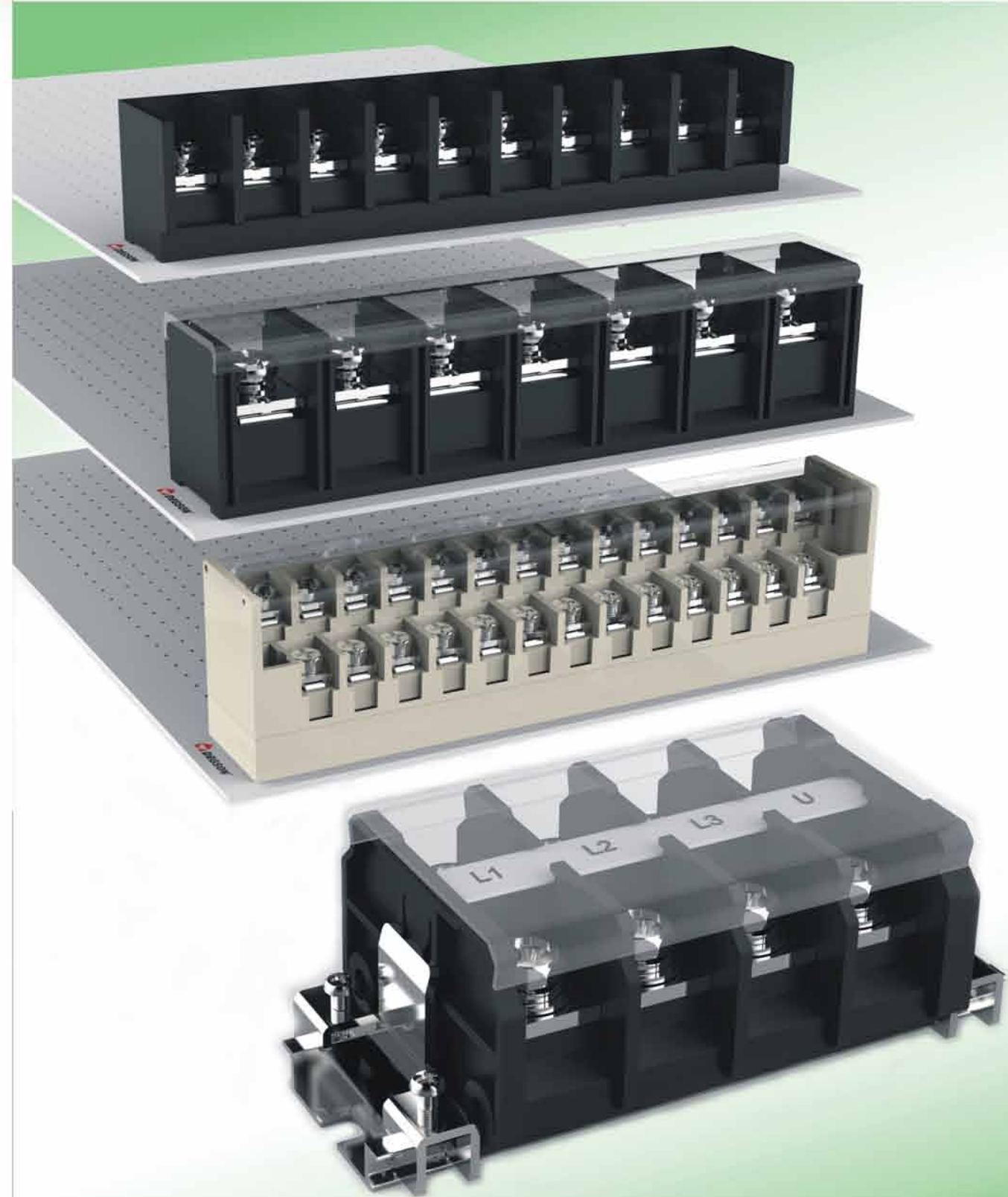
地址：No.1585, Xiaolin Road, Cixi, Ningbo China 电话：+86-574-63504333  
 邮编：315321 传真：+86-574-63512345  
 网址：www.degson.com 邮箱：sale@degson.com  
 The catalog is only for reference, and the detail data must be based on our company's specification!



BT-18-CE01



# Barrier Terminal Block



**DEGSON ELECTRONICS CO.,LTD.**  
 ISO9001 ISO14001 ISO80079-34





## 公司简介





DEGSON高正(高松)电子有限公司创建于1990年,是一家高新技术企业,是亚洲最大接线端子和精密模具专业制造商之一,是亚洲首家拥有美国UL和德国VDE认可专业实验室的企业。产品通过了     等认证。公司通过了ISO9001、ISO14001管理体系认证。

DEGSON年产接线端子近10亿位,现拥有1000多个品种,12000多种规格的接线端子,产品畅销中国、德国、英国、意大利、西班牙、波兰、俄罗斯、印度、土耳其、巴西、美国、日本、韩国、南非...等70多个国家和地区,为全球工业自动化、仪器仪表、电梯、电力电气、轨道交通、新能源、照明、通讯、电源、安防、船舶等行业,提供优良的产品和服务。

DEGSON在全球建立了完善的销售网络,在德国和上海建立了营销中心,26年来DEGSON以务实诚信、责任创新、和谐发展、规则共赢的企业精神,更好地为客户提供更快捷、全面、专业的本地化服务。



## Brief Introduction

Founded in 1990, DEGSON Electronics Co., Ltd. is one of the largest manufacturers of terminal blocks and precise moulds in Asia. As a High-tech enterprise, DEGSON owns the first UL and VDE authorized laboratory in Asia. The products have been approved by    . The company has been granted ISO9001 and ISO14001 management system certificates.

DEGSON annual production capacity is almost 1 billion poles, including more than 1000 types and 12000 specifications terminal blocks. The products are very popular in China, Germany, UK, Italy, Spain, Poland, Russia, India, Turkey, Brazil, USA, Japan, Korea, South Africa etc, totally more than 70 countries and areas. DEGSON provides excellent products and service for the customers all over the world, especially in Industrial Automation, Instrument, Elevator, Electric Power, Rail Transport, New Energy, Lighting, Telecommunication, Power Supply, Security, Shipping etc.

DEGSON has a comprehensive sales network all over the world and set the Marketing center in Germany and Shanghai, China. Pragmatic, Sincerity, Responsibility, Innovation, Harmonious, Development, Rule and Win-win. In accordance with these spirit of enterprise for 26 years, DEGSON will keep providing more speedy, comprehensive and professional service.



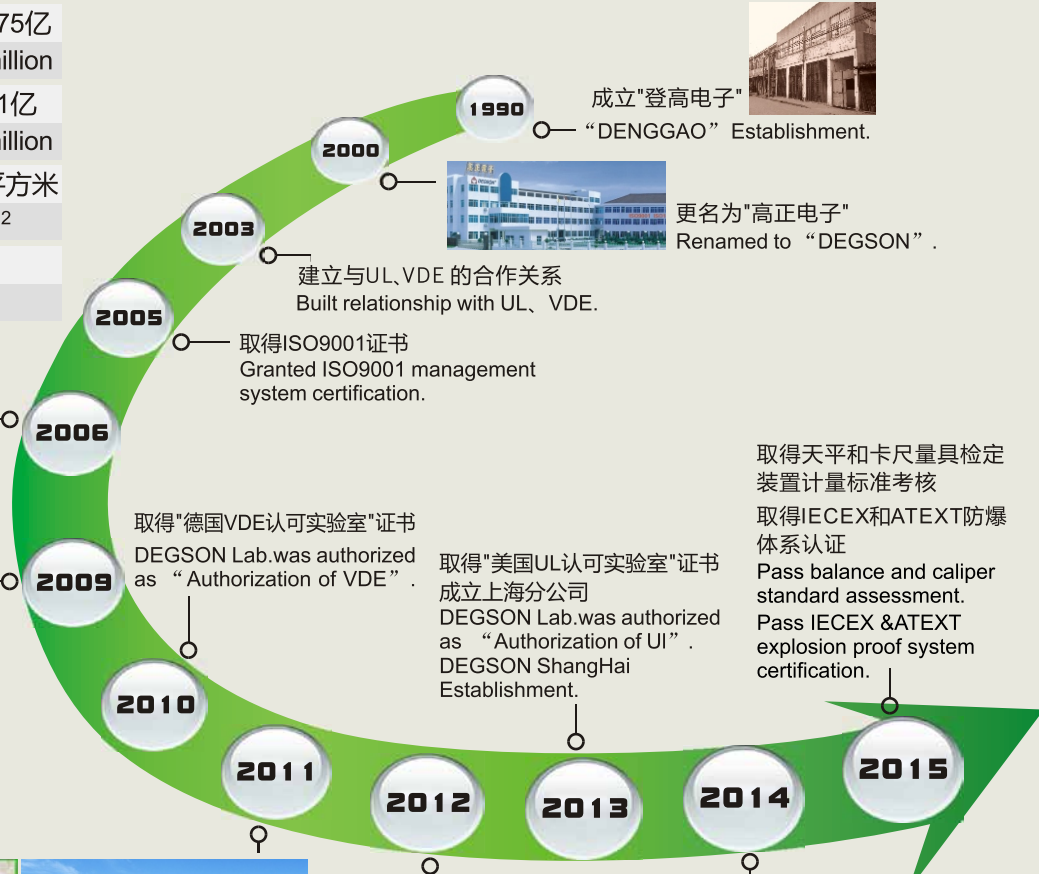
# 企业历程 COMPANY HISTORY

固定资产	RMB 1.75亿
Capital Asset	\$28.6 million
营业额	RMB 3.1亿
Turnover	\$50.0 million
面积	62351平方米
Area	62351m <sup>2</sup>
员工	1100人
Staff	1100

取得ISO14001证书  
Granted ISO14001 management system certification.



建立德国分公司  
DEGSON Germany GmbH Establishment.



# 销售网络 SALES NETWORK

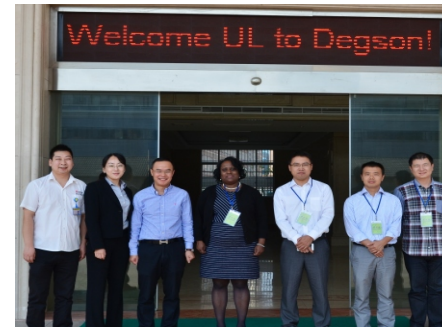
DEGSON产品销往全球70多个国家和地区。  
Products have been exported to more than 70 countries and areas in the global.



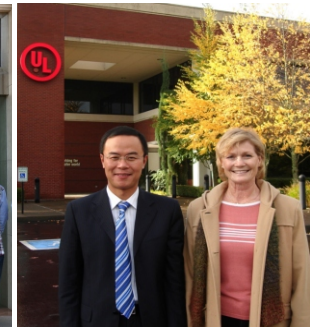
# 品质认证 QUALITY CERTIFICATIONS

2013年DEGSON成为亚洲首家同时拥有美国UL和德国VDE认可实验室的企业。  
In 2013 ,DEGSON laboratory is the first one in Asia which passes UL and VDE approved laboratory certification.

## UL、VDE技术拜访 Visiting UL、VDE



① UL能源与科技全球事业部总经理来访我司  
① The general manager of UL global energy & technology division visited our company



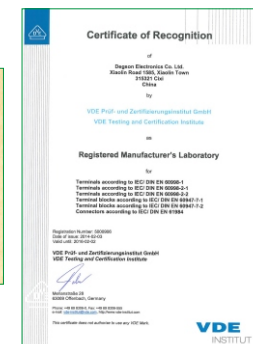
② 丁高松总经理到VDE拜访,受到VDE机构的热烈欢迎  
② Visiting VDE, VDE office gave a warm welcome to our general manager Mr.Ding.



③ VDE实验室认可:2010年7月VDE正式向DEGSON颁发了“VDE认可实验室”证书。  
UL实验室认可:2013年3月UL正式向DEGSON颁发“UL WTDP”证书。  
③ VDE Laboratory Accreditation: In July 2010, VDE Issued the “VDE Authorized Laboratory” Certificate to DEGSON’ s laboratory.  
UL laboratory accreditation: UL formally issued “UL WTDP” certification to DEGSON in March 2013.



UL WTDP 实验室证书  
UL Witness Test Data Program  
Number:420701001



VDE 认可实验室证书  
VDE authorized laboratory  
Number:5000906



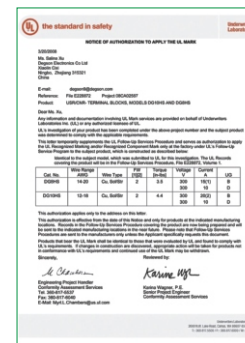
ISO9001



ISO14001



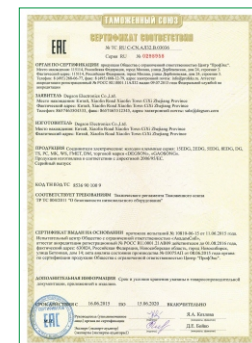
计量标准证书  
Measurement standard certificate



UL 证书号:E228872 1200种规格  
UL File NO.:E228872 1200 items



151 VDE 证书 900种规格  
151 VDE certificates for 900 items



EAC 证书  
EAC certificate



欧洲发明专利证书  
European invention patent




中国发明专利证书  
Chinese invention patent



Series 型号	UL	Pitch 间距	Page 页码	Series 型号	UL	Pitch 间距	Page 页码
DG25	300V 15A	7.62mm(.300" )	01-04	DG58	300V 20A	10.00mm(.394" )	43-46
DG35	300V 20A	8.25mm(.325" )	05-08	DG78	600V 40A	13.00mm(.512" )	47-50
DG45	300V 25A	9.50mm(.375" )	09-12	DG24	300V 15A	7.62mm(.300" )	51-52
DG55	300V 20A	10.00mm(.394" )	13-16	DG24B	300V 14A	7.62mm(.300" )	53-54
DG65	300V 20A	11.00mm(.433" )	17-20	DG44B	300V 15A	9.52mm(.375" )	55-56
DG16	300V 10A	6.35mm(.250" )	21-22	DG49	300V 20A	9.50mm(.374" )	57
DG36	300V 20A	8.25mm(.325" )	23-24	DG69	300V 25A	11.00mm(.433" )	58
DG46	300V 30A	9.50mm(.374" )	25-26	DG89	300V 30A	14.00mm(.551" )	59
DG46G	300V 20A	9.50mm(.374" )	27-28	DG46-DA/DB	600V 20A	8.80mm(.346" )	60
DG66	300V 30A	11.11mm(.437" )	29-30	DG66-DA/DB	600V 30A	11.00mm(.437" )	61
DG28	300V 15A	7.62mm(.300" )	31-34	DG66RT	300V 40A	11.00mm(.437" )	62
DG38	300V 15A	8.25mm(.325" )	35-38	DG88	600V 65A	16.00mm(.629" )	63
DG48	300V 20A	9.50mm(.374" )	39-42	DG88RT	600V 75A	16.00mm(.629" )	64

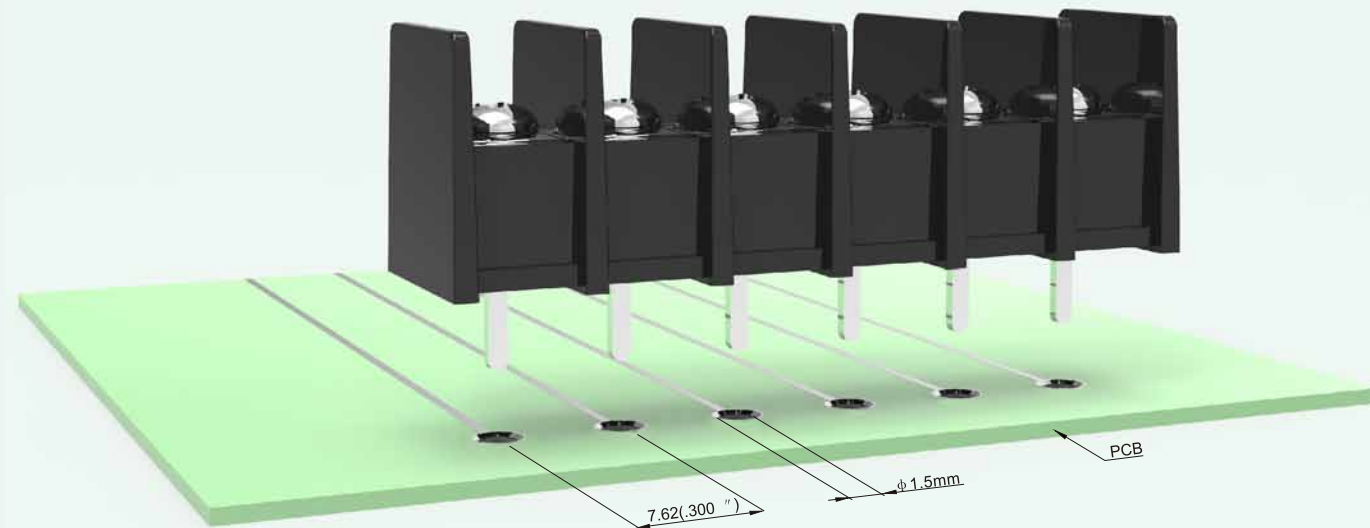
Series 型号	UL	Pitch 间距	Page 页码	Series 型号	UL	Pitch 间距	Page 页码
DG30-A	300V 30A	13.00mm(.512" )	65	DGR100	600V 101A	25.00mm(.984" )	78
DG31-B	300V 30A	10.00mm(.394" )	66	DGR100-20A	600V 101A	25.00mm(.984" )	79
DG1450-B	300V 50A	14.50mm(.570" )	67	DGR150	600V 155A	27.00mm(1.06" )	80
DG1450H-B	600V 45A	14.50mm(.570" )	68	DGR150-20A	600V 155A	27.00mm(1.06" )	81
DG1450H-B-10A	600V 45A	14.50mm(.570" )	69	DGR200	600V 200A	36.00mm(1.41" )	82
DG1450H-B-20A	600V 57A	14.50mm(.570" )	70	DGR200-20A	600V 200A	36.00mm(1.41" )	83
DG1450H-B-30A	600V 45A	14.50mm(.570" )	71	DGR300	600V 300A	45.00mm(1.77" )	84
DG1450H-B-40A	600V 45A	14.50mm(.570" )	72	DGR300-20A	600V 300A	45.00mm(1.77" )	85
DG2000-B	600V 75A	20.00mm(.787" )	73	DGR500	600V 500A	60.00mm(2.36" )	86
DG2000H-B	600V 80A	20.00mm(.787" )	74	DEVE-LOPING			87-160
DGB100-A-10A	600V 101A	25.50mm(1.00" )	75				
DGR60	600V 80A	19.00mm(.748" )	76				
DGR60-20A	600V 80A	19.00mm(.748" )	77				

The items marked "(  )" are the parts under developing

The catalog is only for reference, and the detailed data must be based on our company's specification!  
样本仅供参考，具体数据以本公司提供的规格书为准！



## DG25



Electrical	電気性能	电气性能	UL1059 & CSA C22.2 NO.158		
Standard	安全規格	参考标准			
Use group	使用レベル	使用级别	<b>B</b>	<b>C</b>	<b>D</b>
Rated voltage	定格電圧	额定电压	300V	-	300V
Rated current	定格電流	额定电流	15A	-	10A
Wire range	電線径	导线线径	22-14AWG		
Ring/Fork terminals	丸型压着端子 先開型压着端子	预绝缘端子	○□ 0.2-1.5mm <sup>2</sup> /22-16AWG □□ 0.5-2.5mm <sup>2</sup> /22-14AWG		
With standing voltage	耐電圧	耐电压	AC1600V/1Min		
Insulation Resistance	絶縁阻抗	绝缘阻抗	500MΩ/DC500V		

Mechanical	機械性能	机械性能	0.5N.m (4.4Lb.In)		
Torque Value	ネジ締付トルク	锁紧扭力			
Ambient temperature	環境温度	环境温度	-40°C~+105°C		
Stripping length	電線剥き長	剥线长度	7-8mm		

Dimensions	寸法	尺寸	7.62mm(.300")		
Pitch	ピッチ	间距			
Poles	極数	极数	DG□-A	2P-24P	
			DG□-B	2P-26P	

Material	材質及びメッキ	材质及电镀	PA66, UL94V-0		
Housing	本体	塑件			
Terminal	導電板	端子	Copper alloy, 0.8t, Tin Plated	銅合金, 0.8厚, 錫メッキ	铜合金, 0.8厚, 镀锡
Screws	結線ビス	螺丝	Steel, M3, Ni Plated	鋼, M3, ニッケルメッキ	钢, M3, 镀镍

Other Data	他の情報	其他信息	φ1.5mm		
PCB Hole Diameter	PCB取付穴径	PCB板孔径			

### HOW TO ORDER 製品型番 订货方法

**DG25** **C** **B** **X X P** **1 3** **X X X**  
 Customer Request 顧客要求仕様 客户需求

**C**: Mount Ends 取付穴有り 有固定孔  
**S**: Barrier Ends 取付穴無し 无固定孔  
**A**: Color 色 颜色  
**B**: No. of Pole 極数 极数  
**1**: 3 Black 黒 黑色  
**3**: 1 Grey グレー 灰色  
**1**: 4 Green 緑 绿色  
**X X X**: Customer Request 顧客要求仕様 客户需求

### DG25C-A

Product model	Pcs./Pkt.	Product model	Pcs./Pkt.
DG25C-A-02P	300	DG25C-A-08P	250
DG25C-A-03P	300	DG25C-A-09P	250
DG25C-A-04P	425	DG25C-A-10P	220
DG25C-A-05P	375	DG25C-A-11P	210
DG25C-A-06P	325	DG25C-A-12P	180
DG25C-A-07P	280		

$S = 7.62 \times (N-1)$   
 $L = 7.62 \times (N-1) + 9.12$

### DG25C-B

Product model	Pcs./Pkt.	Product model	Pcs./Pkt.
DG25C-B-02P	500	DG25C-B-08P	325
DG25C-B-03P	500	DG25C-B-09P	275
DG25C-B-04P	650	DG25C-B-10P	250
DG25C-B-05P	525	DG25C-B-11P	250
DG25C-B-06P	400	DG25C-B-12P	220
DG25C-B-07P	375		

$S = 7.62 \times (N-1)$   
 $L = 7.62 \times (N-1) + 9.12$

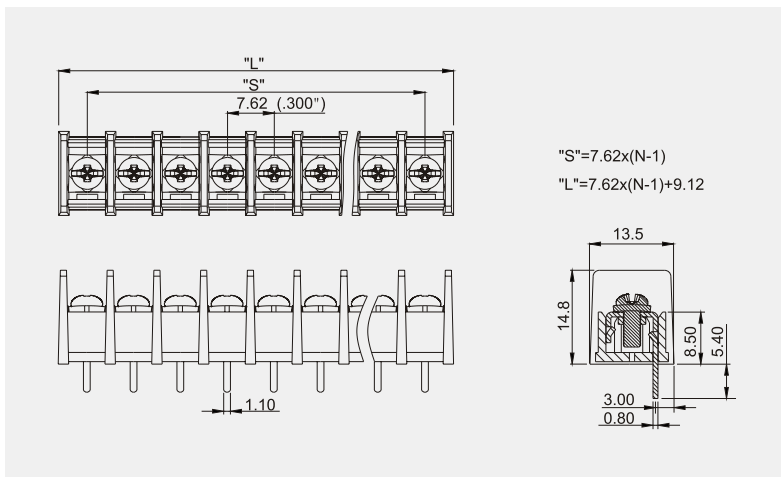
### DG25S-A

Product model	Pcs./Pkt.	Product model	Pcs./Pkt.
DG25S-A-02P	300	DG25S-A-08P	250
DG25S-A-03P	300	DG25S-A-09P	250
DG25S-A-04P	425	DG25S-A-10P	220
DG25S-A-05P	375	DG25S-A-11P	210
DG25S-A-06P	325	DG25S-A-12P	180
DG25S-A-07P	300		

$S = 7.62 \times (N-1)$   
 $L = 7.62 \times (N-1) + 9.12$

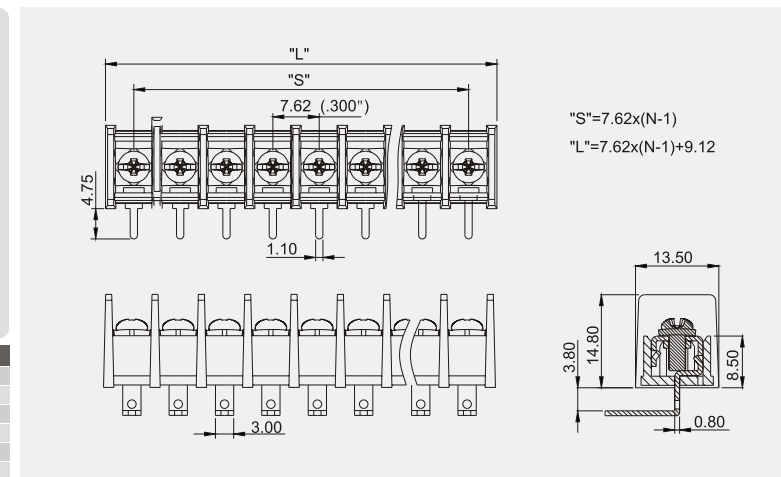
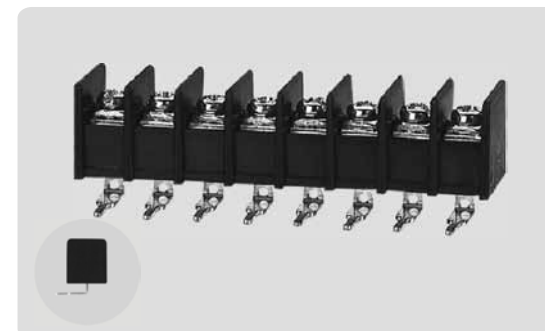


## DG25S-B



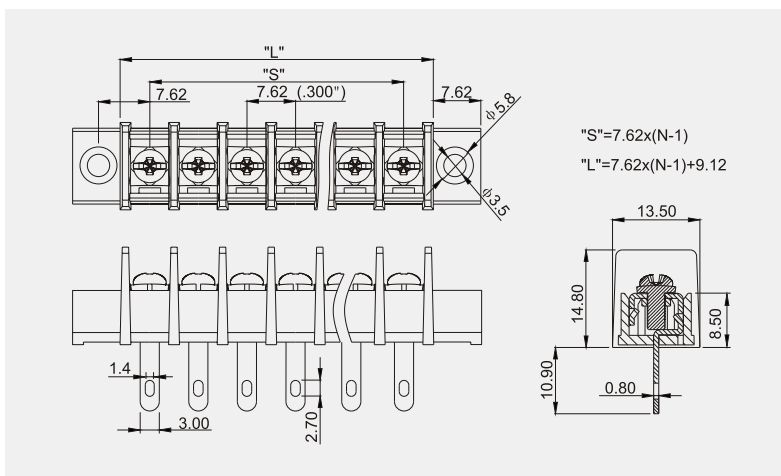
Product model	Pcs./Pkt.	Product model	Pcs./Pkt.
DG25S-B-02P	500	DG25S-B-08P	325
DG25S-B-03P	500	DG25S-B-09P	275
DG25S-B-04P	650	DG25S-B-10P	250
DG25S-B-05P	525	DG25S-B-11P	250
DG25S-B-06P	400	DG25S-B-12P	220
DG25S-B-07P	375		

## DG25R-B



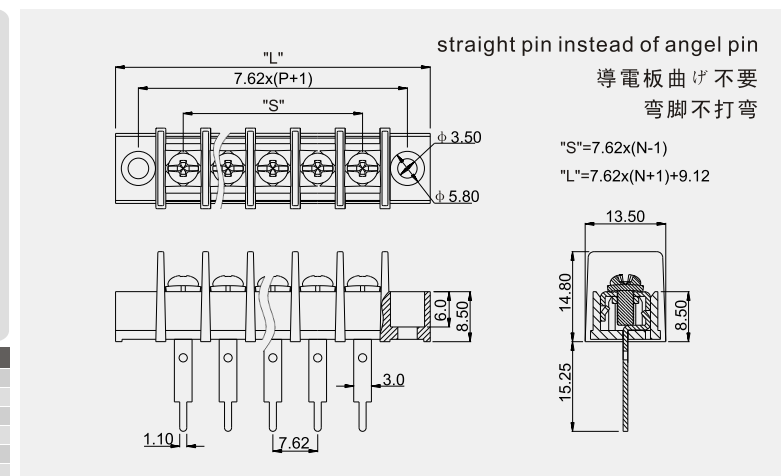
Product model	Pcs./Pkt.	Product model	Pcs./Pkt.
DG25R-B-02P	500	DG25R-B-08P	275
DG25R-B-03P	500	DG25R-B-09P	250
DG25R-B-04P	500	DG25R-B-10P	220
DG25R-B-05P	425	DG25R-B-11P	210
DG25R-B-06P	350	DG25R-B-12P	190
DG25R-B-07P	300		

## DG25H-A



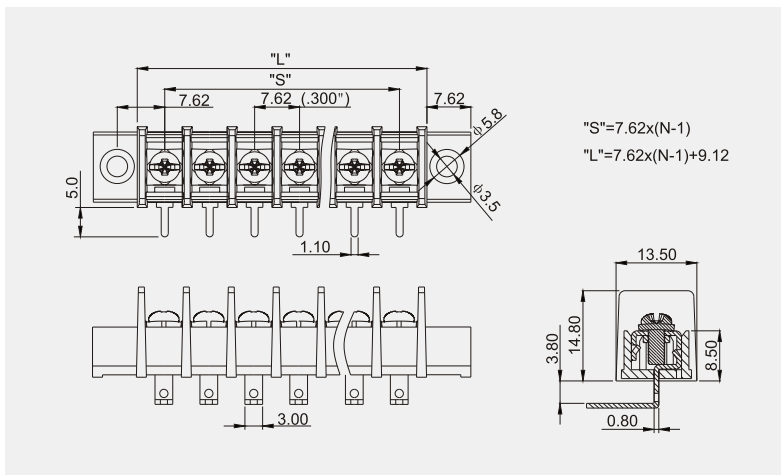
Product model	Pcs./Pkt.	Product model	Pcs./Pkt.
DG25H-A-02P	300	DG25H-A-08P	250
DG25H-A-03P	300	DG25H-A-09P	250
DG25H-A-04P	425	DG25H-A-10P	220
DG25H-A-05P	350	DG25H-A-11P	185
DG25H-A-06P	325	DG25H-A-12P	180
DG25H-A-07P	275		

## DG25R-A-XP-1Y-13AH



Product model	Pcs./Pkt.	Product model	Pcs./Pkt.
DG25R-A-02P-13AH	300	DG25R-A-08P-13AH	250
DG25R-A-03P-13AH	300	DG25R-A-09P-13AH	250
DG25R-A-04P-13AH	425	DG25R-A-10P-13AH	220
DG25R-A-05P-13AH	350	DG25R-A-11P-13AH	185
DG25R-A-06P-13AH	360	DG25R-A-12P-13AH	180
DG25R-A-07P-13AH	275		

## DG25R-A

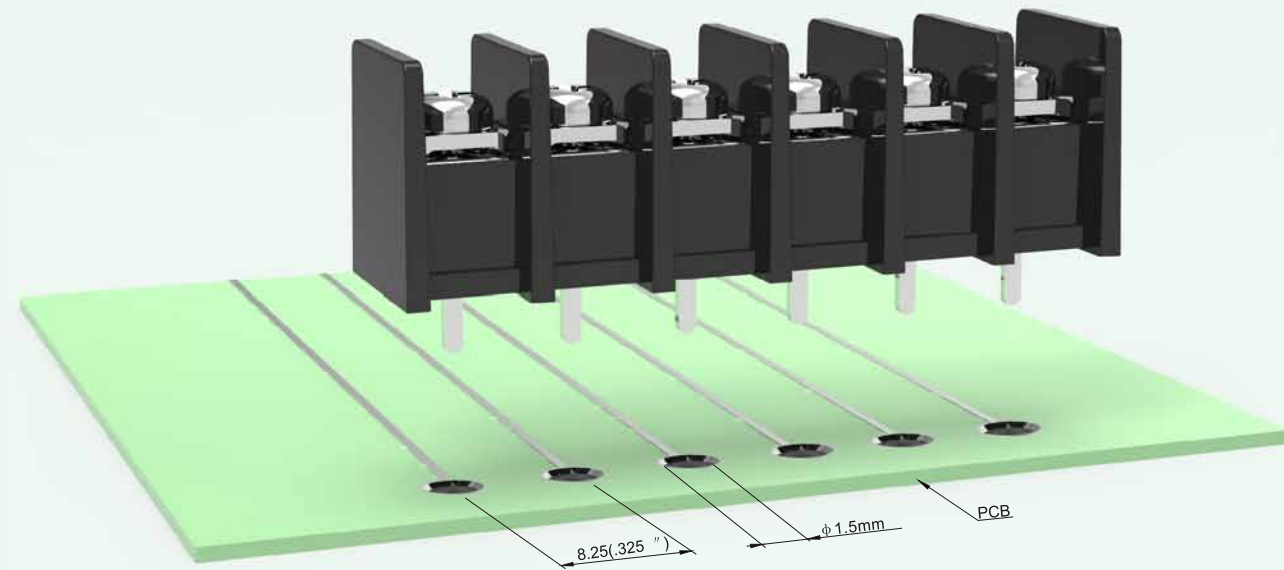


Product model	Pcs./Pkt.	Product model	Pcs./Pkt.
DG25R-A-02P	300	DG25R-A-08P	190
DG25R-A-03P	300	DG25R-A-09P	175
DG25R-A-04P	375	DG25R-A-10P	150
DG25R-A-05P	325	DG25R-A-11P	135
DG25R-A-06P	275	DG25R-A-12P	130
DG25R-A-07P	210		

Poles	2	3	4	5	6	7	8	9	10
L	16.74mm(6.59")	24.36mm(9.59")	31.98mm(1.259")	39.60mm(1.559")	47.22mm(1.859")	54.84mm(2.159")	62.46mm(2.459")	70.08mm(2.759")	77.70mm(3.059")
S	7.62mm(3.00")	15.24mm(6.00")	22.86mm(9.00")	30.48mm(1.200")	38.10mm(1.500")	45.72mm(1.800")	53.34mm(2.100")	60.96mm(2.400")	68.58mm(2.700")
Poles	11	12	13	14	15	16	17	18	19
L	85.32mm(3.359")	92.94mm(3.659")	100.56mm(3.959")	108.18mm(4.259")	115.80mm(4.559")	123.42mm(4.859")	131.04mm(5.159")	138.66mm(5.459")	146.28mm(5.759")
S	76.20mm(3.000")	83.82mm(3.300")	91.44mm(3.600")	99.06mm(3.900")	106.68mm(4.200")	114.30mm(4.500")	121.92mm(4.800")	129.54mm(5.100")	137.16mm(5.400")
Poles	20	21	22	23	24	25	26		
L	153.90mm(6.059")	161.52mm(6.359")	169.14mm(6.659")	176.76mm(6.959")	184.38mm(7.259")	192.00mm(7.559")	199.62mm(7.859")		
S	144.78mm(5.700")	152.40mm(6.000")	160.02mm(6.200")	167.64mm(6.600")	175.26mm(6.900")	182.88mm(7.200")	190.50mm(7.500")		



## DG35



Electrical	電気性能	电气性能	UL1059 & CSA C22.2 NO.158		
Standard	安全規格	参考标准			
Use group	使用レベル	使用级别	<b>B</b>	<b>C</b>	<b>D</b>
Rated voltage	定格電圧	额定电压	300V	-	300V
Rated current	定格電流	额定电流	20A	-	10A
Wire range	電線径	导线线径	22-12AWG		
Ring/Fork terminals	丸型圧着端子 先開型圧着端子	预绝缘端子	0.2-1.5mm <sup>2</sup> /22-16AWG 0.5-2.5mm <sup>2</sup> /22-14AWG		
With standing voltage	耐電圧	耐电压	AC1600V/1Min		
Insulation Resistance	絶縁抵抗	绝缘电阻	500MΩ/DC500V		
Mechanical	機械性能	机械性能			
Torque Value	ネジ締付トルク	锁紧扭力	0.5N.m (4.4Lb.In)		
Ambient temperature	環境温度	环境温度	-40°C~+105°C		
Stripping length	電線剥き長	剥线长度	7-8mm		
Dimensions	寸法	尺寸			
Pitch	ピッチ	间距	8.25mm(.325")		
Poles	極数	极数	DG□-A	2P-24P	
			DG□-B	2P-26P	
Material	材質及びメッキ	材质及电镀	PA66, UL94V-0		
Housing	本体	塑件			
Terminal	導電板	端子	Copper alloy, 0.8t, Tin Plated	銅合金, 0.8厚, 錫メッキ	銅合金, 0.8厚, 鍍錫
Screws	結線ビス	螺丝	Steel, M3, Ni Plated	鋼, M3, ニッケルメッキ	鋼, M3, 鍍銀
Other Data	他の情報	其他信息			
PCB Hole Diameter	PCB取付穴径	PCB板孔径	φ1.5mm		

### HOW TO ORDER 製品型番 订货方法

DG35 **C** **B** **X X P** **1 3** **X X X**

Customer Request 顧客要求仕様 客户需求

Color 色 顏色

3 Black 黒 黑色

1 Grey グレー 灰色

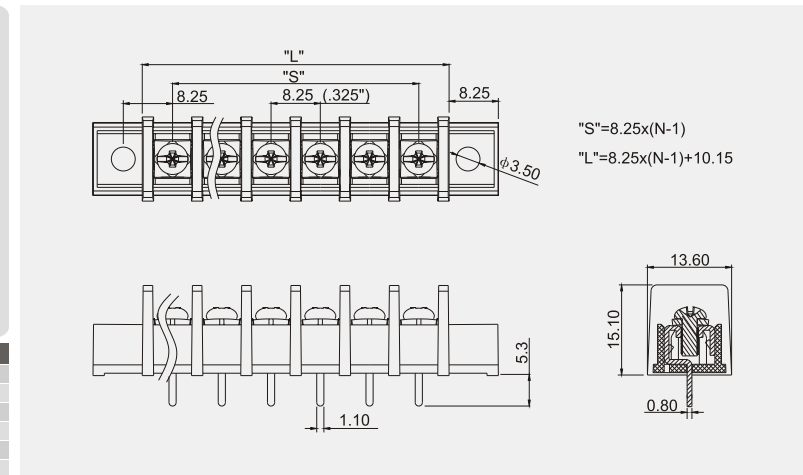
4 Green 緑 绿色

No. of Pole 極数 极数

C: 取付穴有り 有固定孔  
S: 取付穴無し 无固定孔  
H: 取付穴有り 有固定孔  
R: 取付穴無し 无固定孔

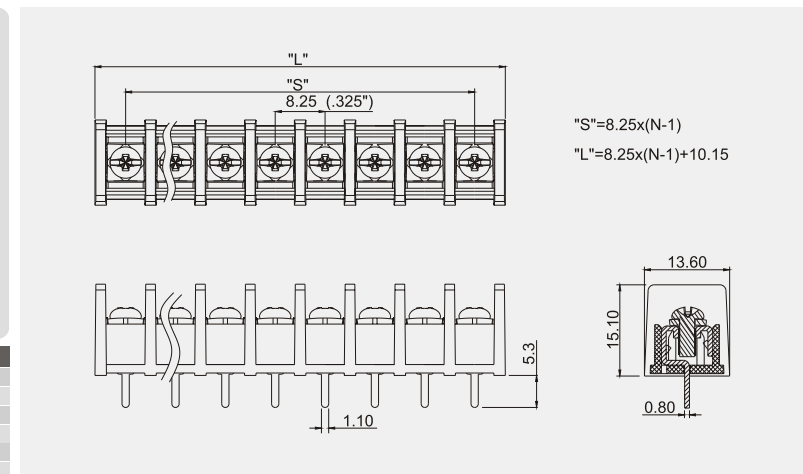
### DG35C-A

Product model	Pcs./Pkt.	Product model	Pcs./Pkt.
DG35C-A-02P	300	DG35C-A-08P	250
DG35C-A-03P	200	DG35C-A-09P	220
DG35C-A-04P	400	DG35C-A-10P	185
DG35C-A-05P	325	DG35C-A-11P	180
DG35C-A-06P	275	DG35C-A-12P	175
DG35C-A-07P	250		



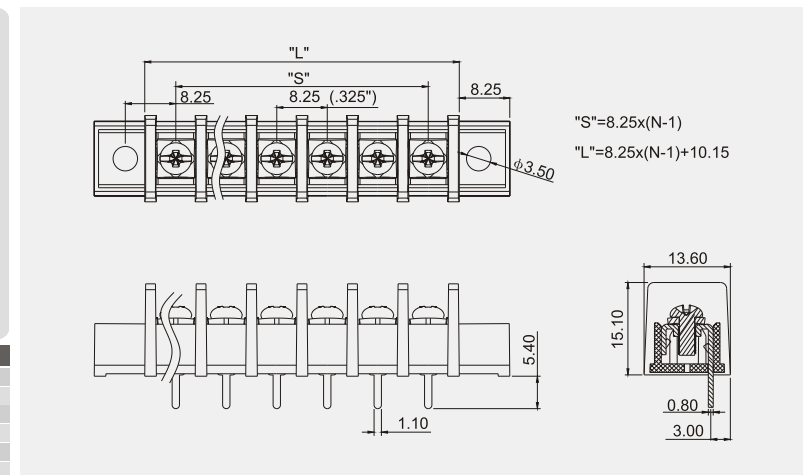
### DG35C-B

Product model	Pcs./Pkt.	Product model	Pcs./Pkt.
DG35C-B-02P	500	DG35C-B-08P	275
DG35C-B-03P	500	DG35C-B-09P	250
DG35C-B-04P	575	DG35C-B-10P	250
DG35C-B-05P	475	DG35C-B-11P	220
DG35C-B-06P	400	DG35C-B-12P	185
DG35C-B-07P	325		



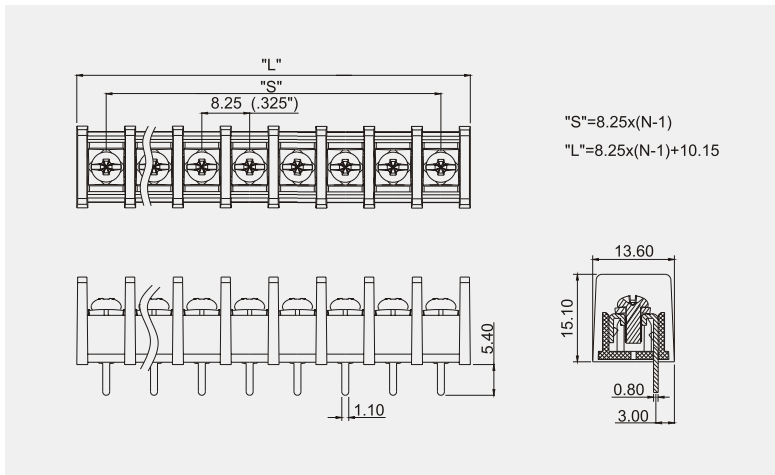
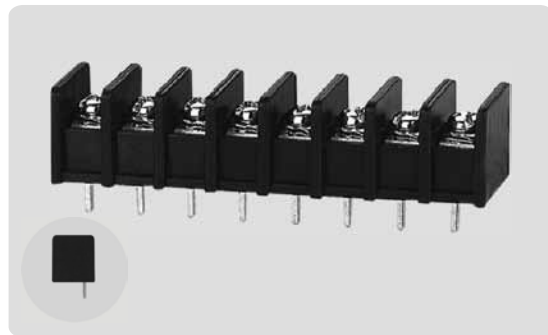
### DG35S-A

Product model	Pcs./Pkt.	Product model	Pcs./Pkt.
DG35S-A-02P	300	DG35S-A-08P	250
DG35S-A-03P	200	DG35S-A-09P	220
DG35S-A-04P	400	DG35S-A-10P	185
DG35S-A-05P	325	DG35S-A-11P	180
DG35S-A-06P	275	DG35S-A-12P	175
DG35S-A-07P	250		



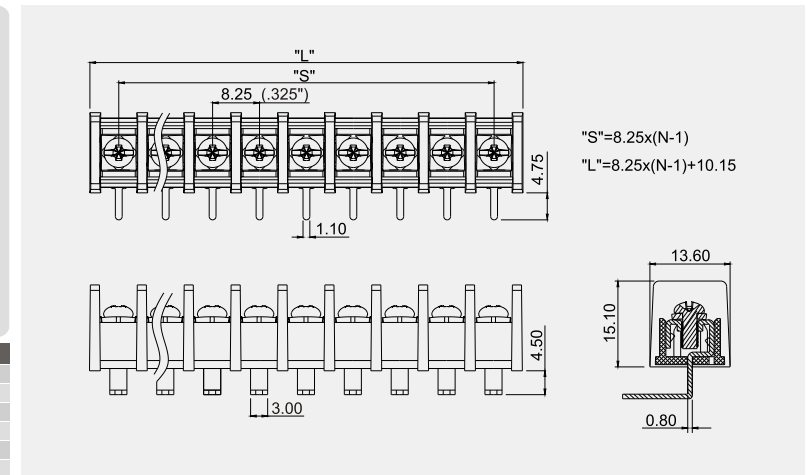
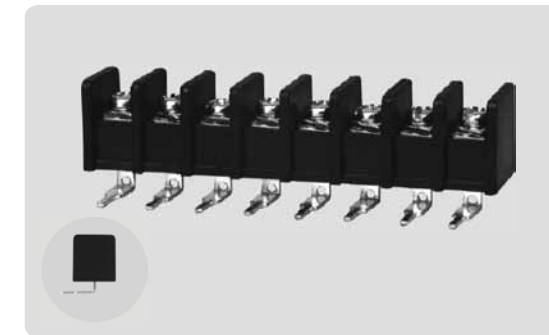


## DG35S-B



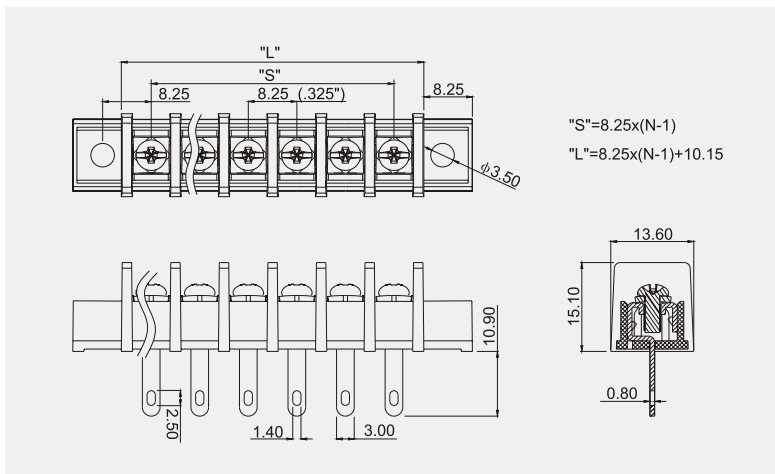
Product model	Pcs./Pkt.	Product model	Pcs./Pkt.
DG35S-B-02P	500	DG35S-B-08P	275
DG35S-B-03P	500	DG35S-B-09P	250
DG35S-B-04P	575	DG35S-B-10P	250
DG35S-B-05P	500	DG35S-B-11P	220
DG35S-B-06P	400	DG35S-B-12P	185
DG35S-B-07P	325		

## DG35R-B



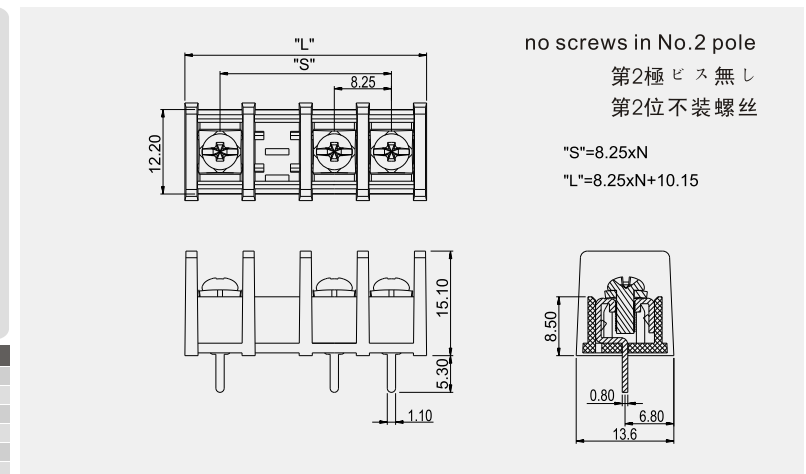
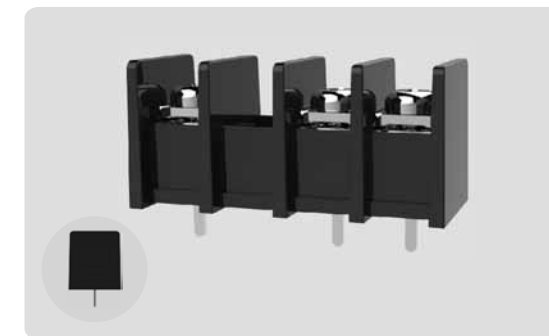
Product model	Pcs./Pkt.	Product model	Pcs./Pkt.
DG35R-B-02P	500	DG35R-B-08P	195
DG35R-B-03P	400	DG35R-B-09P	165
DG35R-B-04P	370	DG35R-B-10P	165
DG35R-B-05P	305	DG35R-B-11P	150
DG35R-B-06P	265	DG35R-B-12P	140
DG35R-B-07P	220		

## DG35H-A



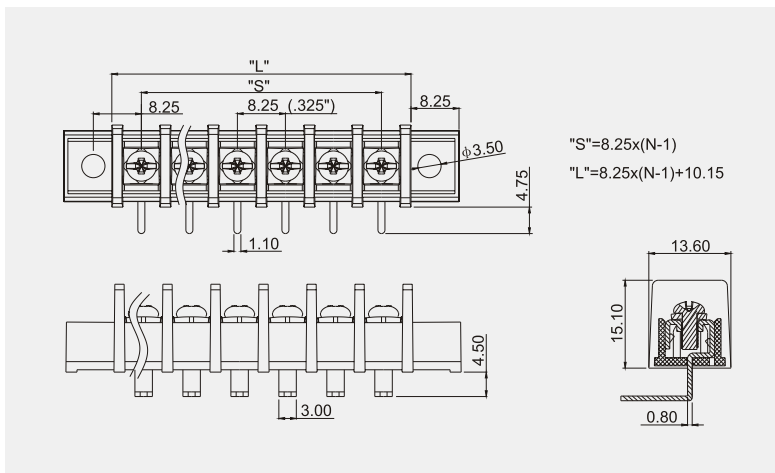
Product model	Pcs./Pkt.	Product model	Pcs./Pkt.
DG35H-A-02P	300	DG35H-A-08P	250
DG35H-A-03P	200	DG35H-A-09P	210
DG35H-A-04P	400	DG35H-A-10P	185
DG35H-A-05P	325	DG35H-A-11P	180
DG35H-A-06P	275	DG35H-A-12P	170
DG35H-A-07P	250		

## DG35C-B-XP-1Y-16AH



Product model	Pcs./Pkt.	Product model	Pcs./Pkt.
DG35C-B-02P-16AH	500	DG35C-B-08P-16AH	275
DG35C-B-03P-16AH	500	DG35C-B-09P-16AH	250
DG35C-B-04P-16AH	575	DG35C-B-10P-16AH	250
DG35C-B-05P-16AH	475	DG35C-B-11P-16AH	220
DG35C-B-06P-16AH	400	DG35C-B-12P-16AH	185
DG35C-B-07P-16AH	325		

## DG35R-A

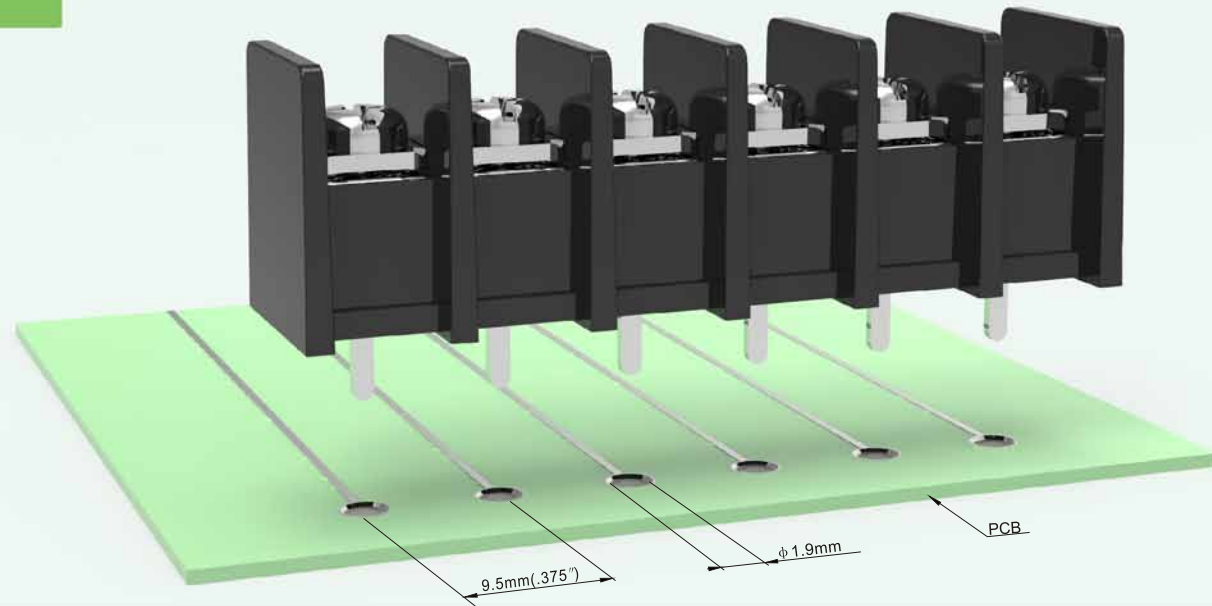


Product model	Pcs./Pkt.	Product model	Pcs./Pkt.
DG35R-A-02P	300	DG35R-A-08P	210
DG35R-A-03P	200	DG35R-A-09P	190
DG35R-A-04P	350	DG35R-A-10P	160
DG35R-A-05P	250	DG35R-A-11P	155
DG35R-A-06P	250	DG35R-A-12P	150
DG35R-A-07P	230		

Poles	2	3	4	5	6	7	8	9	10
L	18.40mm(0.724")	26.65mm(1.049")	34.90mm(1.374")	43.15mm(1.699")	51.40mm(2.024")	59.65mm(2.348")	67.90mm(2.673")	76.15mm(2.998")	84.40mm(3.323")
S	8.25mm(0.325")	16.50mm(0.650")	24.75mm(0.974")	33.00mm(1.299")	41.25mm(1.624")	49.50mm(1.949")	57.75mm(2.273")	66.00mm(2.598")	74.25mm(2.923")
Poles	11	12	13	14	15	16	17	18	19
L	92.65mm(3.648")	100.90mm(3.972")	109.15mm(4.297")	117.40mm(4.622")	125.65mm(4.947")	133.90mm(5.272")	142.15mm(5.596")	150.40mm(5.921")	158.65mm(6.246")
S	82.50mm(3.248")	90.75mm(3.573")	99.00mm(3.898")	107.25mm(4.222")	115.50mm(4.547")	123.75mm(4.872")	132.00mm(5.197")	140.25mm(5.522")	148.50mm(5.846")
Poles	20	21	22	23	24	25	26		
L	166.90mm(6.571")	175.15mm(6.896")	183.40mm(7.220")	191.65mm(7.545")	199.90mm(7.870")	208.15mm(8.195")	216.40mm(8.520")		
S	156.75mm(6.171")	165.00mm(6.496")	173.25mm(6.821")	181.50mm(7.146")	189.75mm(7.470")	198.00mm(7.795")	206.25mm(8.120")		



## DG45



Electrical	電気性能	电气性能	UL1059 & CSA C22.2 NO.158	
Standard	安全規格	参考标准		
Use group	使用レベル	使用级别	<b>B</b>	<b>C</b>
Rated voltage	定格電圧	额定电压	300V	300V
Rated current	定格電流	额定电流	25A	10A
Wire range	電線径	导线线径	22-12AWG	
Ring/Fork terminals	丸型圧着端子 先開型圧着端子	预绝缘端子	0.5-2.5mm <sup>2</sup> /22-14AWG 0.5-2.5mm <sup>2</sup> /22-14AWG	
With standing voltage	耐電圧	耐压	AC1600V/1Min	
Insulation Resistance	絶縁抵抗	绝缘阻抗	500MΩ/DC500V	
Mechanical	機械性能	机械性能	1.2N.m (10.5Lb.In)	
Torque Value	ネジ締めトルク	锁紧扭力		
Ambient temperature	環境温度	环境温度	-40°C~+105°C	
Stripping length	電線剥き長	剥线长度	8-9mm	
Dimensions	寸法	尺寸	9.5mm (.375")	
Pitch	ピッチ	间距		
Poles	極数	极数	DG□-A	2P-20P
			DG□-B	2P-24P
Material	材質及びメッキ	材质及电镀	PA66, UL94V-0	
Housing	本体	塑件		
Terminal	導電板	端子	Copper alloy, 0.8t, Tin Plated	銅合金, 0.8厚, 錫メッキ
Screws	結線ビス	螺丝	Steel, M4, Ni Plated	鋼, M4, ニッケルメッキ
				鋼, M4, 鍍錫
Other Data	他の情報	其他信息	φ 1.9mm	
PCB Hole Diameter	PCB取付穴径	PCB板孔径		

### HOW TO ORDER 製品型番 订货方法

DG45 **C** **B** **X X P** **1 3** **X X X**

Customer Request 顧客要求仕様 客户需求

Color 色 顏色

3 Black 黒 黑色

1 Grey グレー 灰色

4 Green 緑 绿色

No. of Pole 極数 极数

C: 取付穴有り 有固定孔

S: 取付穴無し 无固定孔

A: 取付穴有り 有固定孔

H: 取付穴無し 无固定孔

R: 取付穴無し 无固定孔

### DG45C-A

Product model	Pcs./Pkt.	Product model	Pcs./Pkt.
DG45C-A-02P	200	DG45C-A-08P	165
DG45C-A-03P	300	DG45C-A-09P	130
DG45C-A-04P	240	DG45C-A-10P	120
DG45C-A-05P	250	DG45C-A-11P	120
DG45C-A-06P	200	DG45C-A-12P	95
DG45C-A-07P	180		

"S" = 9.5x(N-1)  
"L" = 9.5x(N-1) + 11.4

### DG45C-B

Product model	Pcs./Pkt.	Product model	Pcs./Pkt.
DG45C-B-02P	300	DG45C-B-08P	190
DG45C-B-03P	200	DG45C-B-09P	165
DG45C-B-04P	350	DG45C-B-10P	155
DG45C-B-05P	300	DG45C-B-11P	130
DG45C-B-06P	250	DG45C-B-12P	120
DG45C-B-07P	200		

"S" = 9.5x(N-1)  
"L" = 9.5x(N-1) + 11.4

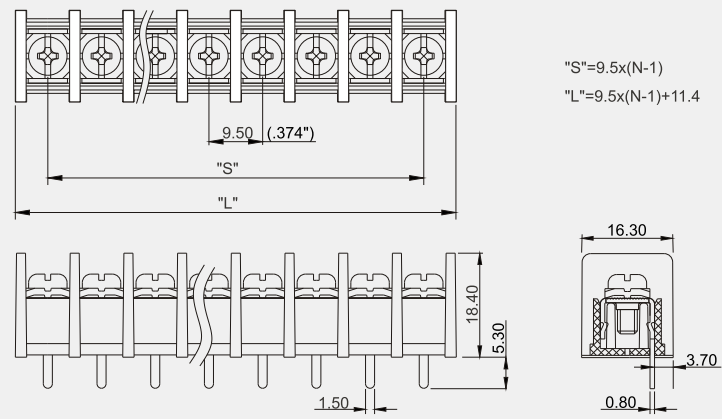
### DG45S-A

Product model	Pcs./Pkt.	Product model	Pcs./Pkt.
DG45S-A-02P	200	DG45S-A-08P	150
DG45S-A-03P	300	DG45S-A-09P	130
DG45S-A-04P	250	DG45S-A-10P	120
DG45S-A-05P	200	DG45S-A-11P	120
DG45S-A-06P	180	DG45S-A-12P	95
DG45S-A-07P	165		

"S" = 9.5x(N-1)  
"L" = 9.5x(N-1) + 11.4

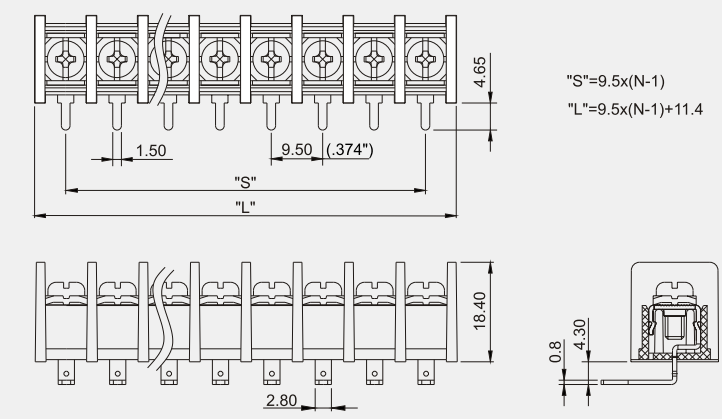
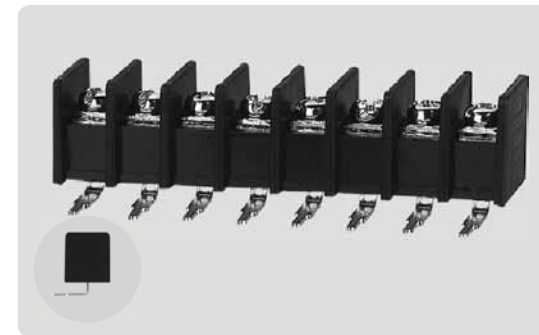


## DG45S-B



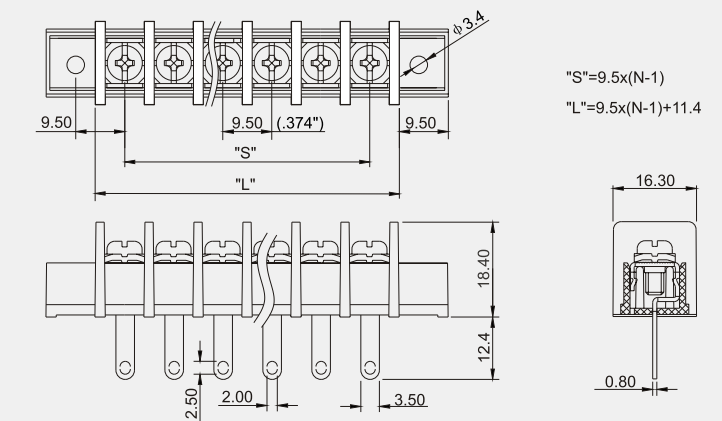
Product model	Pcs./Pkt.	Product model	Pcs./Pkt.
DG45S-B-02P	300	DG45S-B-08P	190
DG45S-B-03P	200	DG45S-B-09P	165
DG45S-B-04P	350	DG45S-B-10P	155
DG45S-B-05P	300	DG45S-B-11P	130
DG45S-B-06P	250	DG45S-B-12P	120
DG45S-B-07P	200		

## DG45R-B



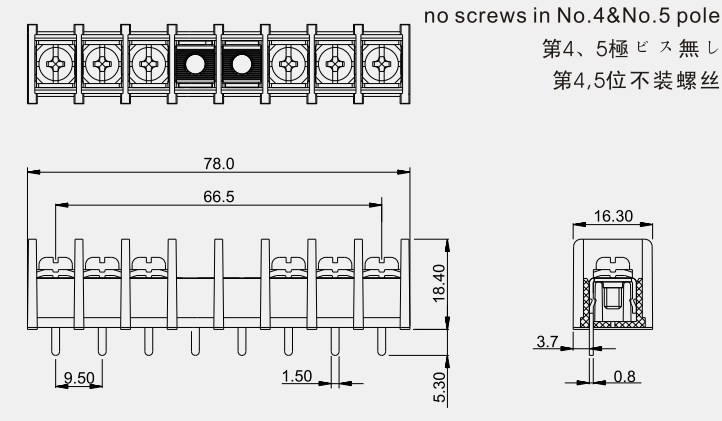
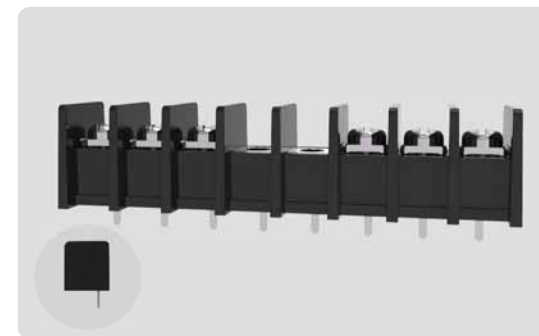
Product model	Pcs./Pkt.	Product model	Pcs./Pkt.
DG45R-B-02P	300	DG45R-B-08P	150
DG45R-B-03P	200	DG45R-B-09P	130
DG45R-B-04P	275	DG45R-B-10P	120
DG45R-B-05P	240	DG45R-B-11P	100
DG45R-B-06P	200	DG45R-B-12P	100
DG45R-B-07P	165		

## DG45H-A



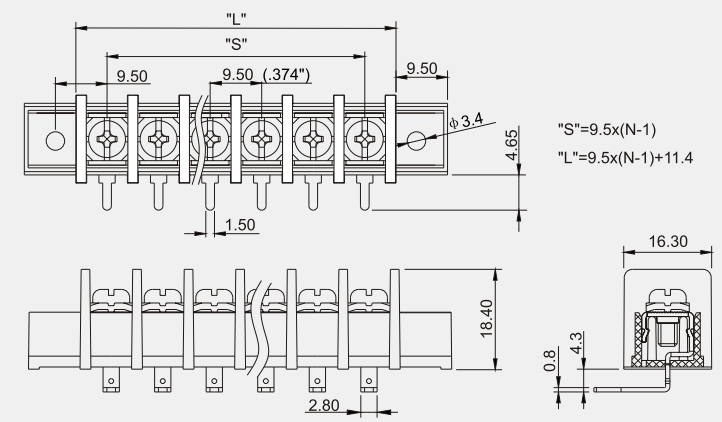
Product model	Pcs./Pkt.	Product model	Pcs./Pkt.
DG45H-A-02P	200	DG45H-A-08P	130
DG45H-A-03P	300	DG45H-A-09P	110
DG45H-A-04P	240	DG45H-A-10P	110
DG45H-A-05P	185	DG45H-A-11P	100
DG45H-A-06P	165	DG45H-A-12P	90
DG45H-A-07P	140		

## DG45S-B-08P-1Y-03AH



Product model	Pcs./Pkt.	Product model	Pcs./Pkt.
DG45S-B-08P	190		

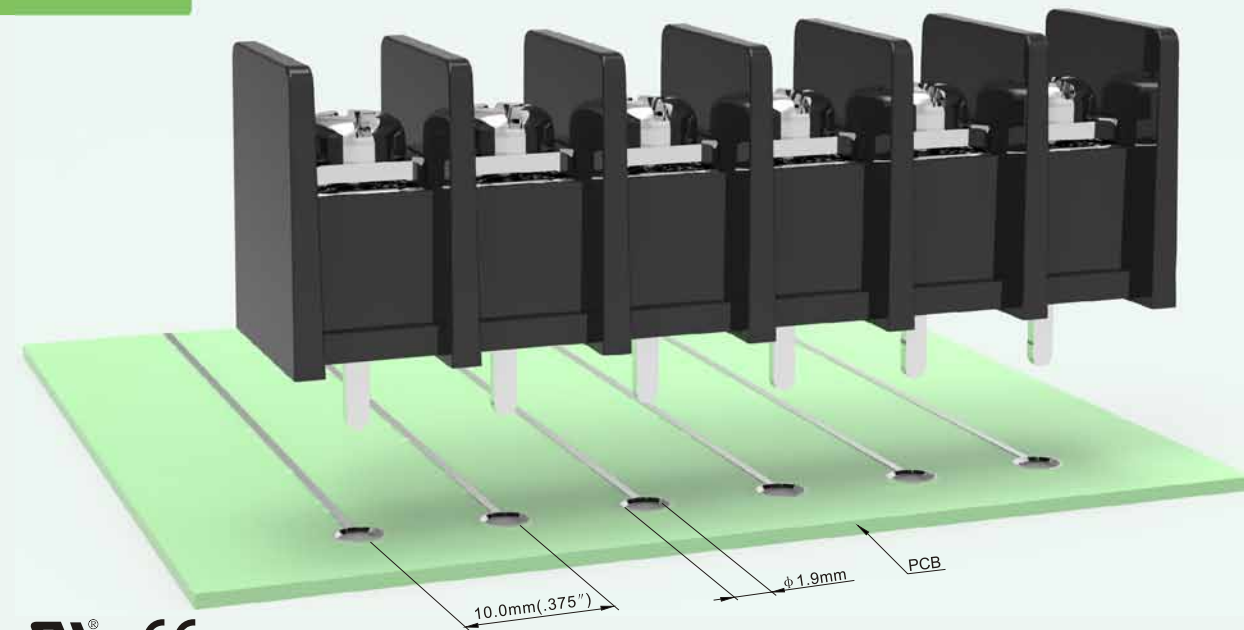
## DG45R-A



Product model	Pcs./Pkt.	Product model	Pcs./Pkt.
DG45R-A-02P	200	DG45R-A-08P	120
DG45R-A-03P	240	DG45R-A-09P	100
DG45R-A-04P	200	DG45R-A-10P	100
DG45R-A-05P	165	DG45R-A-11P	95
DG45R-A-06P	150	DG45R-A-12P	75
DG45R-A-07P	130		

Poles	2	3	4	5	6	7	8	9	10
L	20.90mm(8.23")	30.40mm(1.197")	39.90mm(1.571")	49.40mm(1.945")	58.90mm(2.319")	68.40mm(2.348")	77.90mm(3.067")	87.40mm(3.441")	96.90mm(3.815")
S	9.50mm(.374")	19.00mm(.748")	28.50mm(1.122")	38.00mm(1.496")	47.50mm(1.624")	57.00mm(2.244")	66.50mm(2.618")	76.00mm(2.992")	85.50mm(3.366")
Poles	11	12	13	14	15	16	17	18	19
L	106.40mm(4.189")	115.90mm(4.563")	125.40mm(4.937")	134.90mm(5.311")	144.40mm(5.685")	153.90mm(6.059")	163.40mm(6.433")	172.90mm(6.807")	182.40mm(7.181")
S	95.00mm(3.740")	104.50mm(4.114")	114.00mm(4.488")	123.50mm(4.862")	133.00mm(5.236")	142.50mm(5.610")	152.00mm(5.984")	161.50mm(6.358")	171.00mm(6.732")
Poles	20	21	22	23	24	25	26		
L	191.90mm(7.555")	201.40mm(7.929")	210.90mm(8.303")						
S	180.50mm(7.106")	190.00mm(7.480")	199.50mm(7.854")						

## DG55



Electrical	電気性能	电气性能	UL 1059 & CSA C22.2 NO. 158		
Standard	安全規格	参考标准			
Use group	使用レベル	使用级别	<b>B</b>	<b>C</b>	<b>D</b>
Rated voltage	定格電圧	额定电压	300V	300V	300V
Rated current	定格電流	额定电流	20A	-	10A
Wire range	電線径	导线线径	22-12AWG		
Ring/Fork terminals	丸型圧着端子 先開型圧着端子	预绝缘端子	0.5-2.5mm <sup>2</sup> /22-14AWG 0.5-2.5mm <sup>2</sup> /22-14AWG		
With standing voltage	耐電圧	耐电压	AC1600V/1Min		
Insulation Resistance	絶縁抵抗	绝缘电阻	500MΩ/DC500V		
Mechanical	機械性能	机械性能			
Torque Value	ネジ締付トルク	锁紧扭力	1.2N.m (10.5Lb.In)		
Ambient temperature	環境温度	环境温度	-40°C~+105°C		
Stripping length	電線剥き長	剥线长度	9-10mm		
Dimensions	寸法	尺寸			
Pitch	ピッチ	间距	10.0mm (.394")		
Poles	極数	极数	DG□-A	2P-24P	
			DG□-B	2P-26P	
Material	材質及びメッキ	材质及电镀	PA66, UL94V-0		
Housing	本体	塑件	Copper alloy, 0.8t, Tin Plated 銅合金, 0.8厚, 錫メッキ 銅合金, 0.8厚, 鍍錫		
Terminal	導電板	端子	Steel, M4, Ni Plated 鋼, M4, ニッケルメッキ 鋼, M4, 鍍銀		
Screws	結線ビス	螺丝			
Other Data	他の情報	其他信息			
PCB Hole Diameter	PCB取付穴径	PCB板孔径	φ 1.9mm		

### HOW TO ORDER 製品型番 订货方法

DG55 **C** **B** **X X P** **1 3** **X X X**

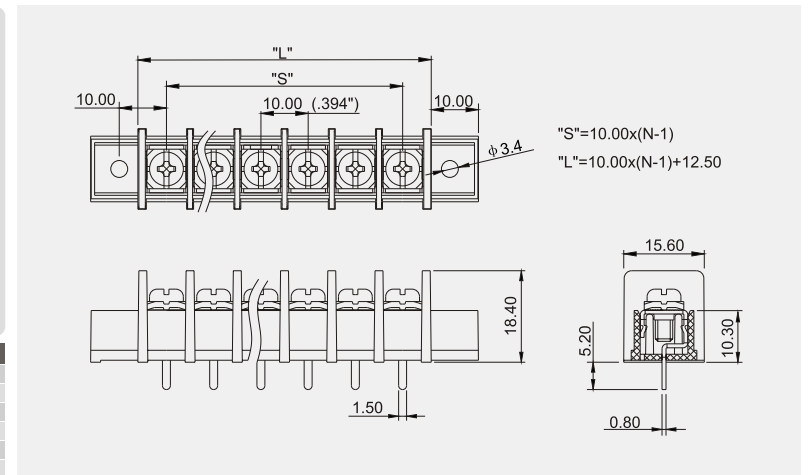
Customer Request 顧客要求仕様 客户需求

C: S: A: Mount Ends 取付穴有り 有固定孔  
 H: R: B: Barrier Ends 取付穴無し 无固定孔

No. of Pole 極数  
 3 Black 黒 黑色  
 1 Grey グレー 灰色  
 4 Green 緑 绿色

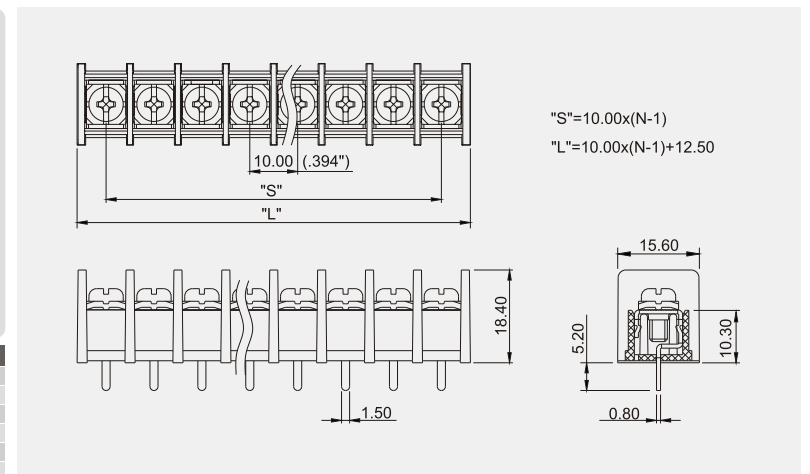
### DG55C-A

Product model	Pcs./Pkt.	Product model	Pcs./Pkt.
DG55C-A-02P	200	DG55C-A-08P	130
DG55C-A-03P	300	DG55C-A-09P	125
DG55C-A-04P	240	DG55C-A-10P	120
DG55C-A-05P	200	DG55C-A-11P	120
DG55C-A-06P	180	DG55C-A-12P	95
DG55C-A-07P	155		



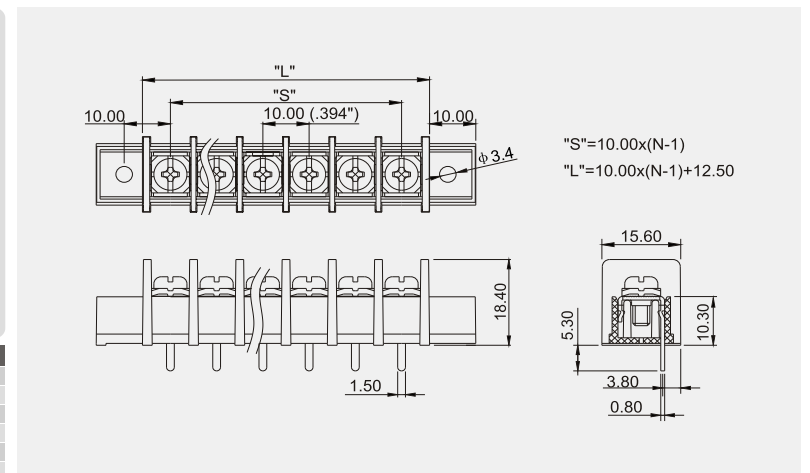
### DG55C-B

Product model	Pcs./Pkt.	Product model	Pcs./Pkt.
DG55C-B-02P	300	DG55C-B-08P	180
DG55C-B-03P	200	DG55C-B-09P	155
DG55C-B-04P	350	DG55C-B-10P	130
DG55C-B-05P	300	DG55C-B-11P	125
DG55C-B-06P	240	DG55C-B-12P	120
DG55C-B-07P	200		



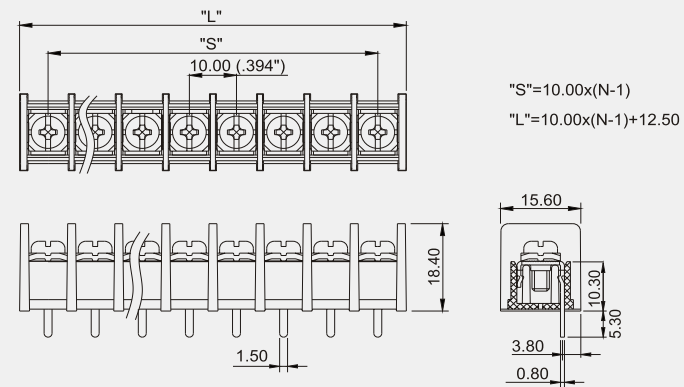
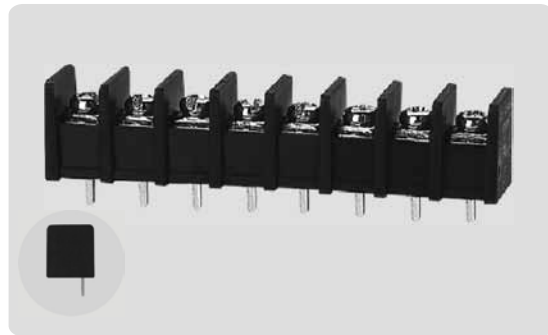
### DG55S-A

Product model	Pcs./Pkt.	Product model	Pcs./Pkt.
DG55S-A-02P	200	DG55S-A-08P	130
DG55S-A-03P	300	DG55S-A-09P	125
DG55S-A-04P	240	DG55S-A-10P	120
DG55S-A-05P	200	DG55S-A-11P	120
DG55S-A-06P	180	DG55S-A-12P	
DG55S-A-07P	155		



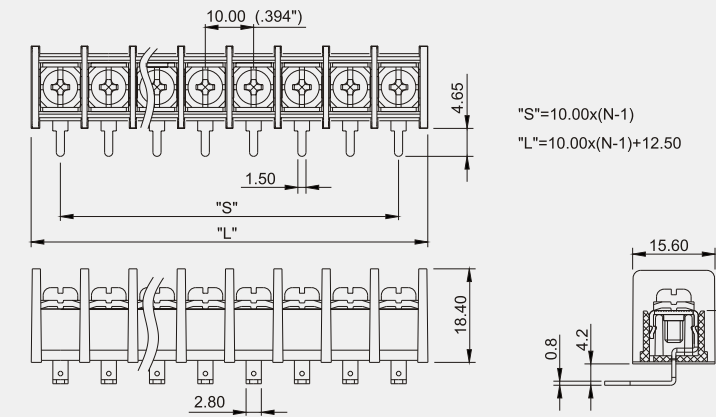
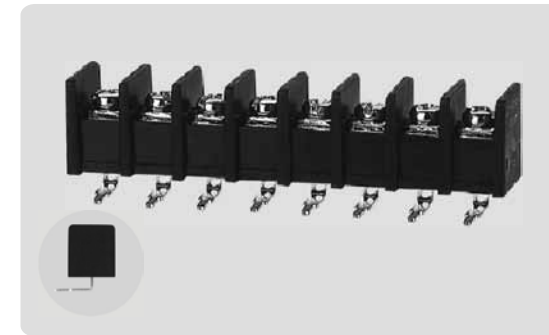


## DG55S-B



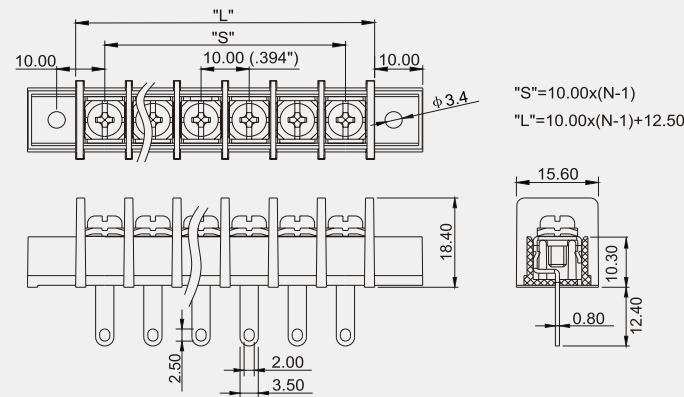
Product model	Pcs./Pkt.	Product model	Pcs./Pkt.
DG55S-B-02P	300	DG55S-B-08P	180
DG55S-B-03P	200	DG55S-B-09P	155
DG55S-B-04P	350	DG55S-B-10P	130
DG55S-B-05P	300	DG55S-B-11P	125
DG55S-B-06P	240	DG55S-B-12P	120
DG55S-B-07P	200		

## DG55R-B



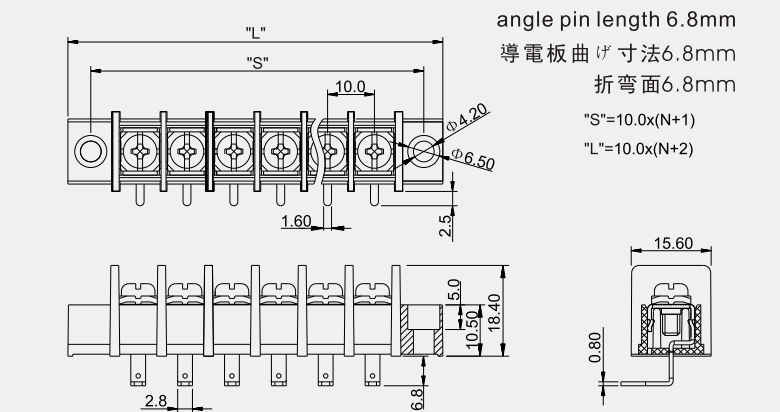
Product model	Pcs./Pkt.	Product model	Pcs./Pkt.
DG55R-B-02P	300	DG55R-B-08P	155
DG55R-B-03P	200	DG55R-B-09P	130
DG55R-B-04P	300	DG55R-B-10P	115
DG55R-B-05P	240	DG55R-B-11P	110
DG55R-B-06P	200	DG55R-B-12P	100
DG55R-B-07P	170		

## DG55H-A



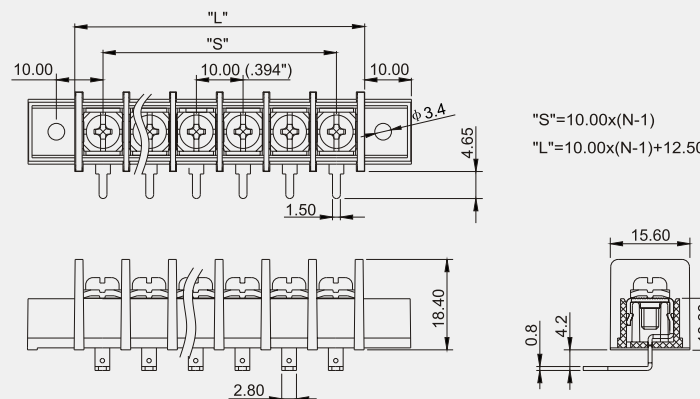
Product model	Pcs./Pkt.	Product model	Pcs./Pkt.
DG55H-A-02P	200	DG55H-A-08P	120
DG55H-A-03P	250	DG55H-A-09P	110
DG55H-A-04P	235	DG55H-A-10P	120
DG55H-A-05P	200	DG55H-A-11P	100
DG55H-A-06P	160	DG55H-A-12P	80
DG55H-A-07P	140		

## DG55R-A-XXP-1Y-08AH



Product model	Pcs./Pkt.	Product model	Pcs./Pkt.
DG55R-A-02P-08AH	200	DG55R-A-08P-08AH	100
DG55R-A-03P-08AH	220	DG55R-A-09P-08AH	100
DG55R-A-04P-08AH	190	DG55R-A-10P-08AH	95
DG55R-A-05P-08AH	160	DG55R-A-11P-08AH	75
DG55R-A-06P-08AH	140	DG55R-A-12P-08AH	75
DG55R-A-07P-08AH	120		

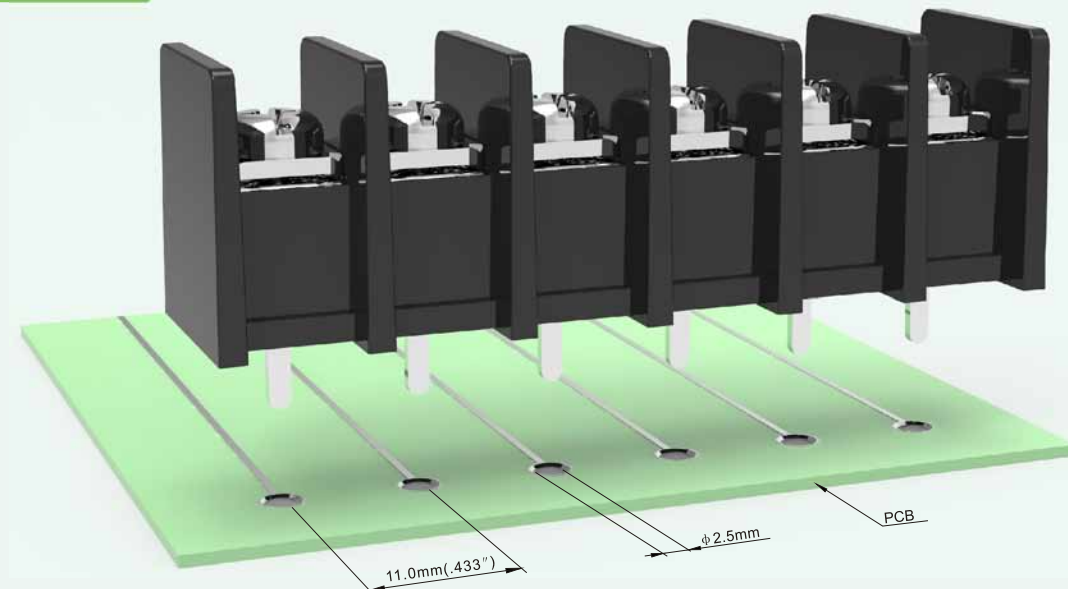
## DG55R-A



Product model	Pcs./Pkt.	Product model	Pcs./Pkt.
DG55R-A-02P	200	DG55R-A-08P	100
DG55R-A-03P	220	DG55R-A-09P	100
DG55R-A-04P	190	DG55R-A-10P	95
DG55R-A-05P	160	DG55R-A-11P	75
DG55R-A-06P	140	DG55R-A-12P	75
DG55R-A-07P	120		

Poles	2	3	4	5	6	7	8	9	10
L	22.50mm(886")	32.50mm(1.280")	42.50mm(1.673")	52.50mm(2.067")	62.50mm(2.461")	72.50mm(2.854")	82.50mm(3.248")	92.50mm(3.642")	102.50mm(4.035")
S	10.00mm(.394")	20.00mm(.787")	30.00mm(1.181")	40.00mm(1.575")	50.00mm(1.969")	60.00mm(2.362")	70.00mm(2.756")	80.00mm(3.150")	90.00mm(3.543")
Poles	11	12	13	14	15	16	17	18	19
L	112.50mm(4.429")	122.50mm(4.823")	132.50mm(5.217")	142.50mm(5.610")	152.50mm(6.003")	162.50mm(6.398")	172.50mm(6.791")	182.50mm(7.185")	192.50mm(7.579")
S	100.00mm(3.937")	110.00mm(4.331")	120.00mm(4.724")	130.00mm(5.118")	140.00mm(5.512")	150.00mm(5.906")	160.00mm(6.299")	170.00mm(6.693")	180.00mm(7.087")
Poles	20	21	22	23	24	25	26		
L	202.50mm(7.972")	212.50mm(8.366")	222.50mm(8.760")	232.50mm(9.154")	242.50mm(9.547")	252.50mm(9.941")	262.50mm(10.335")		
S	190.00mm(7.480")	200.00mm(7.874")	210.00mm(8.268")	220.00mm(8.661")	230.00mm(9.055")	240.00mm(9.449")	250.00mm(9.843")		

## DG65



Electrical	電気性能	电气性能	UL 1059 & CSA C22.2 NO. 158		
Standard	安全規格	参考标准			
Use group	使用レベル	使用级别	<b>B</b>	<b>C</b>	<b>D</b>
Rated voltage	定格電圧	额定电压	300V	—	300V
Rated current	定格電流	额定电流	20A	—	10A
Wire range	電線径	导线线径	22-12AWG		
Ring/Fork terminals	丸型圧着端子 先開型圧着端子	预绝缘端子	0.2-2.5mm <sup>2</sup> /22-14AWG 0.5-4.0mm <sup>2</sup> /22-12AWG		
With standing voltage	耐電圧	耐电压	AC1600V/1Min		
Insulation Resistance	絶縁抵抗	绝缘电阻	500M $\Omega$ /DC500V		

Mechanical	機械性能	机械性能	1.2N.m (10.5Lb.In)		
Torque Value	ネジ締付トルク	锁紧扭力			
Ambient temperature	環境温度	环境温度	-40°C~+105°C		
Stripping length	電線剥き長	剥线长度	9-10mm		

Dimensions	寸法	尺寸	11.0mm(.433")		
Pitch	ピッチ	间距			
Poles	極数	极数	DG□-A	2P-20P	
			DG□-B	2P-22P	

Material	材質及びメッキ	材质及电镀	PA66, UL94V-0		
Housing	本体	塑件			
Terminal	導電板	端子	Copper alloy, 1.0t, Tin Plated	銅合金, 1.0厚, 錫メッキ	铜合金, 1.0厚, 镀锡
Screws	結線ビス	螺丝	Steel, M4, Ni Plated	鋼, M4, ニッケルメッキ	钢, M4, 镀锌

Other Data	他の情報	其他信息	$\phi$ 2.5mm		
PCB Hole Diameter	PCB取付穴径	PCB板孔径			

### HOW TO ORDER 製品型番 订货方法

DG65 **C** **B** **X X P** **1 3** **X X X**

Customer Request 顧客要求仕様 客户需求

Color 色 颜色  
 3 Black 黒 黑色  
 1 Grey グレー 灰色  
 4 Green 緑 绿色

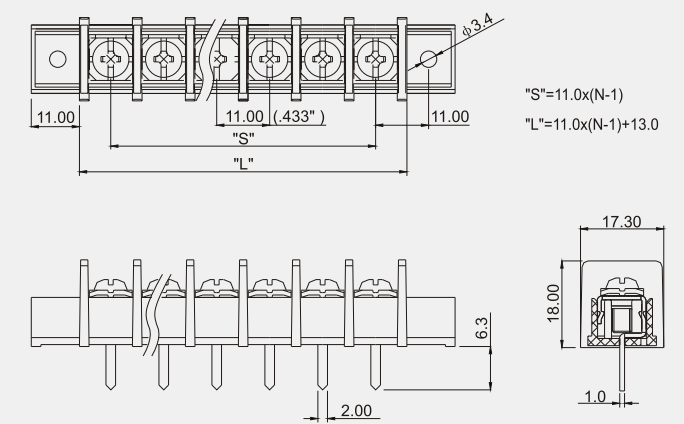
No. of Pole 極数 极数  
 1 1  
 3 3  
 4 4

C: Mount Ends 取付穴有り 有固定孔  
 S: Mount Ends 取付穴無し 无固定孔  
 H: Barrier Ends 取付穴有り 有固定孔  
 R: Barrier Ends 取付穴無し 无固定孔

### DG65C-A



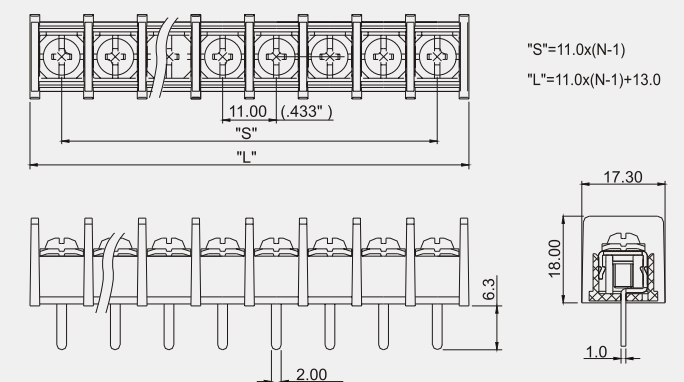
Product model	Pcs./Pkt.	Product model	Pcs./Pkt.
DG65C-A-02P	200	DG65C-A-08P	100
DG65C-A-03P	210	DG65C-A-09P	100
DG65C-A-04P	170	DG65C-A-10P	80
DG65C-A-05P	150	DG65C-A-11P	75
DG65C-A-06P	130	DG65C-A-12P	75
DG65C-A-07P	110		



### DG65C-B



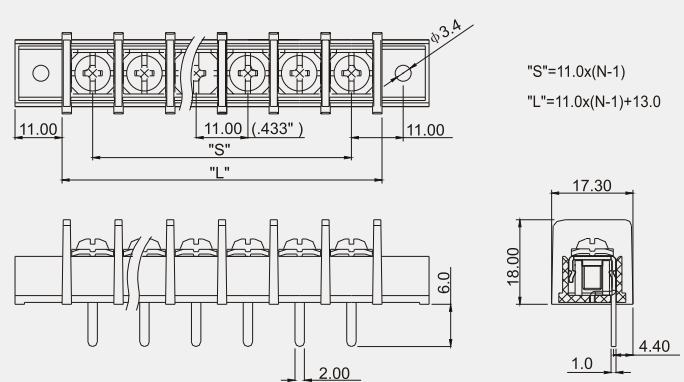
Product model	Pcs./Pkt.	Product model	Pcs./Pkt.
DG65C-B-02P	300	DG65C-B-08P	120
DG65C-B-03P	200	DG65C-B-09P	120
DG65C-B-04P	240	DG65C-B-10P	100
DG65C-B-05P	200	DG65C-B-11P	90
DG65C-B-06P	165	DG65C-B-12P	80
DG65C-B-07P	135		



### DG65S-A

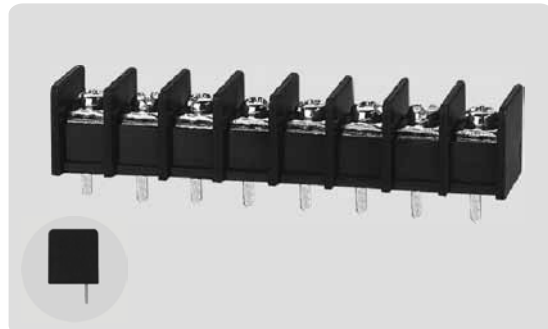


Product model	Pcs./Pkt.	Product model	Pcs./Pkt.
DG65S-A-02P	200	DG65S-A-08P	100
DG65S-A-03P	210	DG65S-A-09P	100
DG65S-A-04P	170	DG65S-A-10P	80
DG65S-A-05P	150	DG65S-A-11P	75
DG65S-A-06P	130	DG65S-A-12P	75
DG65S-A-07P	110		

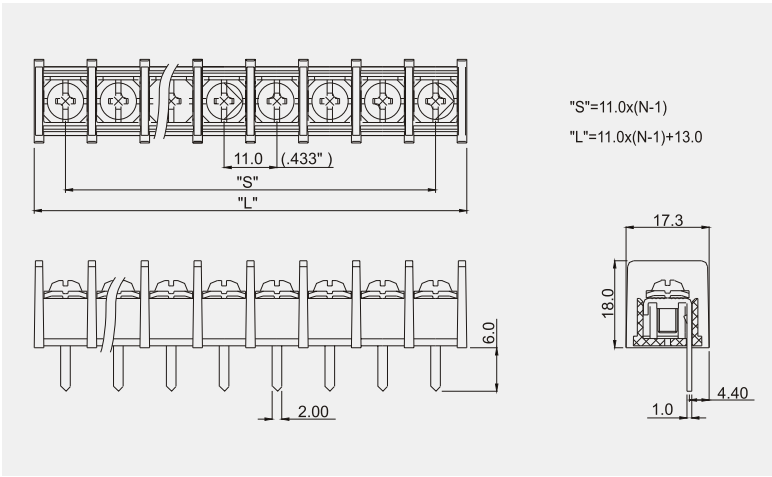




## DG65S-B



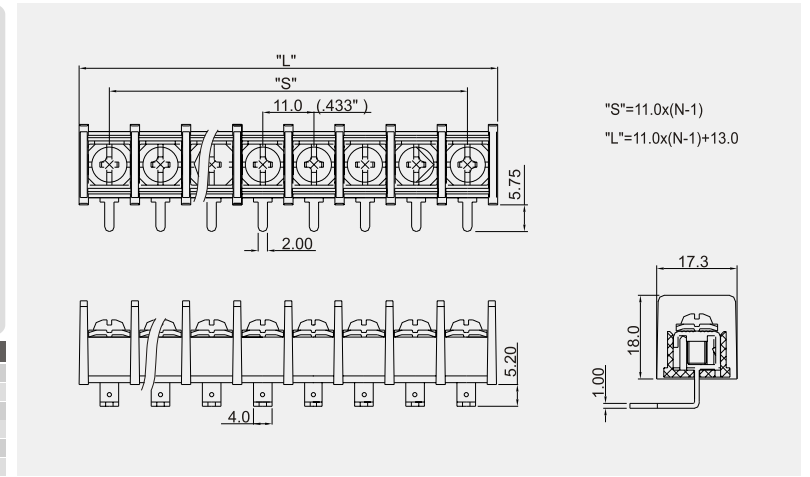
Product model	Pcs./Pkt.	Product model	Pcs./Pkt.
DG65S-B-02P	300	DG65S-B-08P	120
DG65S-B-03P	200	DG65S-B-09P	120
DG65S-B-04P	240	DG65S-B-10P	100
DG65S-B-05P	200	DG65S-B-11P	90
DG65S-B-06P	165	DG65S-B-12P	
DG65S-B-07P	135		



## DG65R-B



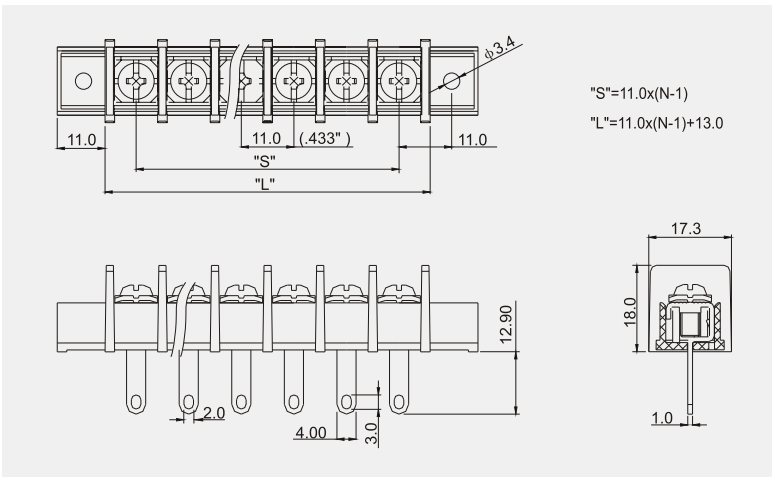
Product model	Pcs./Pkt.	Product model	Pcs./Pkt.
DG65R-B-02P	300	DG65R-B-08P	120
DG65R-B-03P	200	DG65R-B-09P	100
DG65R-B-04P	220	DG65R-B-10P	90
DG65R-B-05P	165	DG65R-B-11P	85
DG65R-B-06P	150	DG65R-B-12P	70
DG65R-B-07P	130		



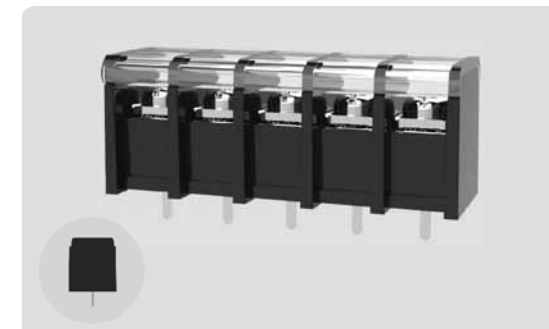
## DG65H-A



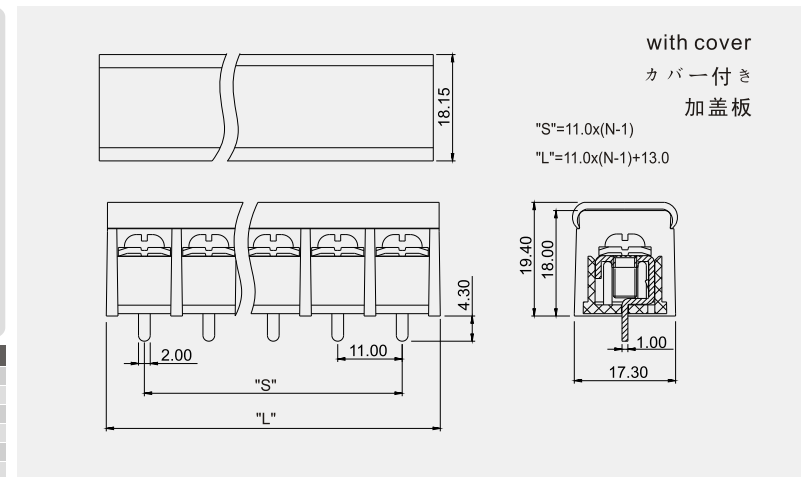
Product model	Pcs./Pkt.	Product model	Pcs./Pkt.
DG65H-A-02P	200	DG65H-A-08P	100
DG65H-A-03P	200	DG65H-A-09P	120
DG65H-A-04P	200	DG65H-A-10P	75
DG65H-A-05P	150	DG65H-A-11P	70
DG65H-A-06P	130	DG65H-A-12P	70
DG65H-A-07P	130		



## DG65C-B-XXP-1Y-20AH



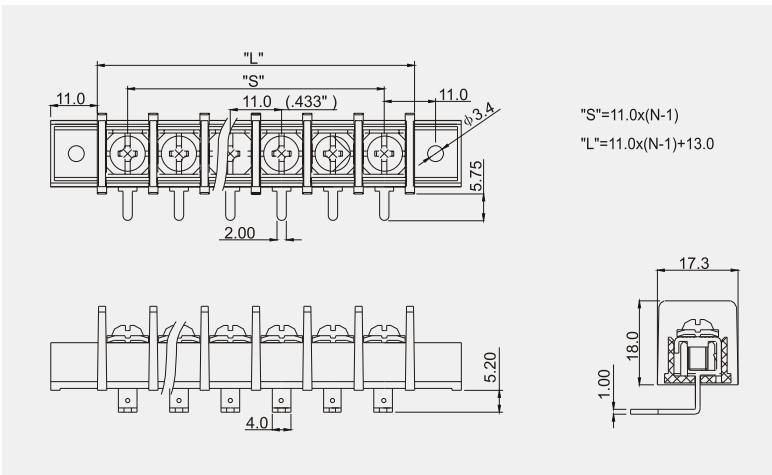
Product model	Pcs./Pkt.	Product model	Pcs./Pkt.
DG65C-B-02P-20AH	300	DG65C-B-08P-20AH	120
DG65C-B-03P-20AH	200	DG65C-B-09P-20AH	120
DG65C-B-04P-20AH	240	DG65C-B-10P-20AH	100
DG65C-B-05P-20AH	200	DG65C-B-11P-20AH	90
DG65C-B-06P-20AH	165	DG65C-B-12P-20AH	80
DG65C-B-07P-20AH	135		



## DG65R-A

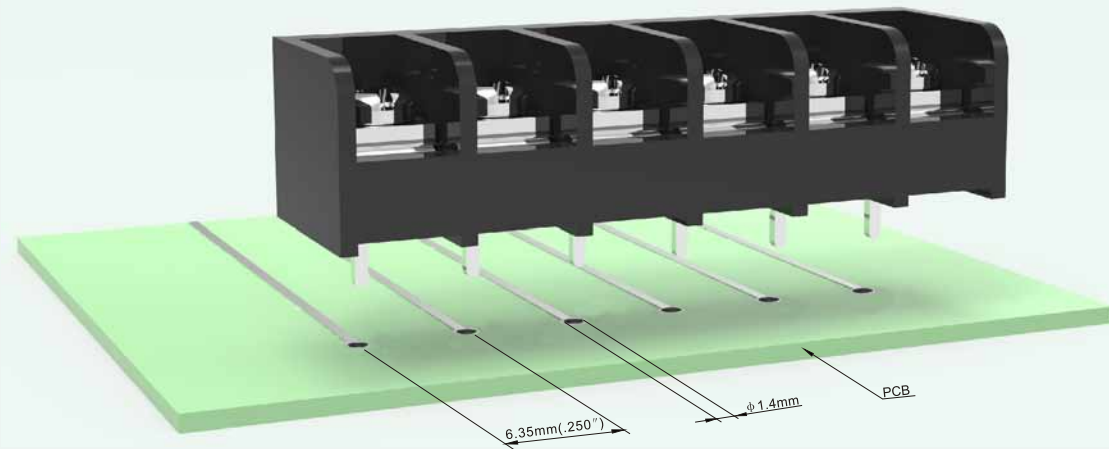


Product model	Pcs./Pkt.	Product model	Pcs./Pkt.
DG65R-A-02P	200	DG65R-A-08P	95
DG65R-A-03P	175	DG65R-A-09P	85
DG65R-A-04P	150	DG65R-A-10P	70
DG65R-A-05P	140	DG65R-A-11P	65
DG65R-A-06P	120	DG65R-A-12P	65
DG65R-A-07P	100		



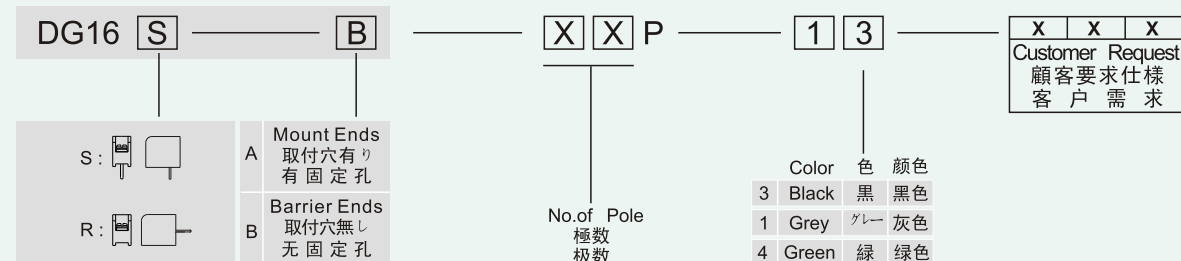
Poles	2	3	4	5	6	7	8	9	10
L	24.00mm(.945")	35.00mm(1.378")	46.00mm(1.881")	57.00mm(2.244")	68.00mm(2.677")	79.00mm(3.110")	90.00mm(3.543")	101.00mm(3.976")	112.00mm(4.409")
S	11.00mm(.433")	22.00mm(.866")	33.00mm(1.299")	44.00mm(1.732")	55.00mm(2.165")	66.00mm(2.598")	77.00mm(3.031")	88.00mm(3.464")	99.00mm(3.897")
Poles	11	12	13	14	15	16	17	18	19
L	123.00mm(4.843")	134.00mm(5.276")	145.00mm(5.709")	156.00mm(6.142")	167.00mm(6.575")	178.00mm(7.008")	189.00mm(7.441")	200.00mm(7.874")	211.00mm(8.307")
S	110.00mm(4.331")	121.00mm(4.764")	132.00mm(5.197")	143.00mm(5.630")	154.00mm(6.063")	165.00mm(6.496")	176.00mm(6.929")	187.00mm(7.362")	198.00mm(7.795")
Poles	20	21	22	23	24	25	26		
L	222.00mm(8.740")	233.00mm(9.173")	244.00mm(9.606")						
S	209.00mm(8.228")	220.00mm(8.661")	231.00mm(9.094")						

## DG16

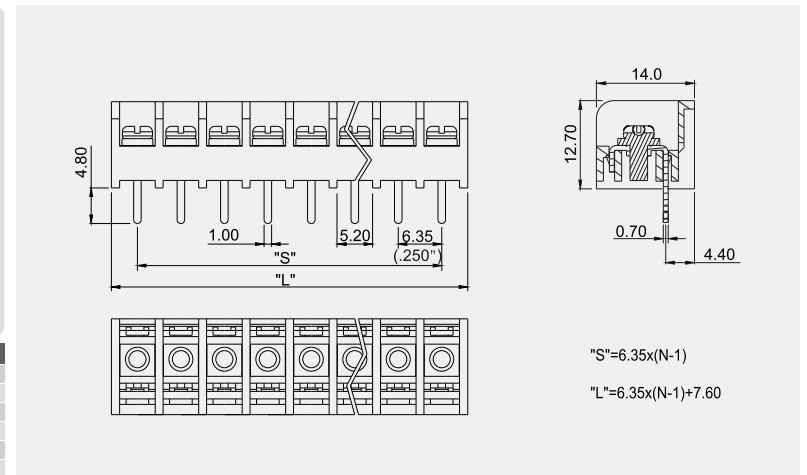
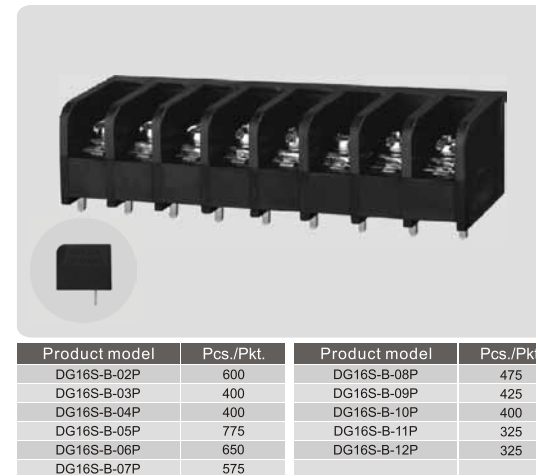


Electrical	電気性能	电气性能	UL1059 & CSA C22.2 NO.158		
Standard	安全規格	参考标准			
Use group	使用レベル	使用级别	<b>B</b>	<b>C</b>	<b>D</b>
Rated voltage	定格電圧	额定电压	300V	150V	300V
Rated current	定格電流	额定电流	10A	10A	10A
Wire range	電線径	导线线径	22-16AWG		
Ring/Fork terminals	丸型圧着端子 先開型圧着端子	預绝缘端子	-		
With standing voltage	耐電圧	耐电压	AC1600V/1Min		
Insulation Resistance	絶縁抵抗	绝缘阻抗	500MΩ/DC500V		
Mechanical	機械性能	机械性能			
Torque Value	ネジ締めトルク	锁紧扭力	0.4N.m (3.5Lb.In)		
Ambient temperature	環境温度	环境温度	-40°C~+105°C		
Stripping length	電線剥き長	剥线长度	6-7mm		
Dimensions	寸法	尺寸			
Pitch	ピッチ	间距	6.35mm(.250")		
Poles	極数	极数	DG □S-B-60-A	2P,3P,4P	
			DG □-B	2P-24P	
Material	材質及びメッキ	材质及电镀			
Housing	本体	塑件	PA66, UL94V-0		
Terminal	導電板	端子	Copper alloy,0.7t, Tin Plated	銅合金,0.7厚,錫メッキ	銅合金,0.7厚,鍍錫
Screws	結線ビス	螺丝	Steel,M2.5,Ni Plated	鋼,M2.5,ニッケルメッキ	鋼,M2.5,鍍銀
Other Data	他の情報	其他信息			
PCB Hole Diameter	PCB取付孔径	PCB板孔径	φ1.4mm		

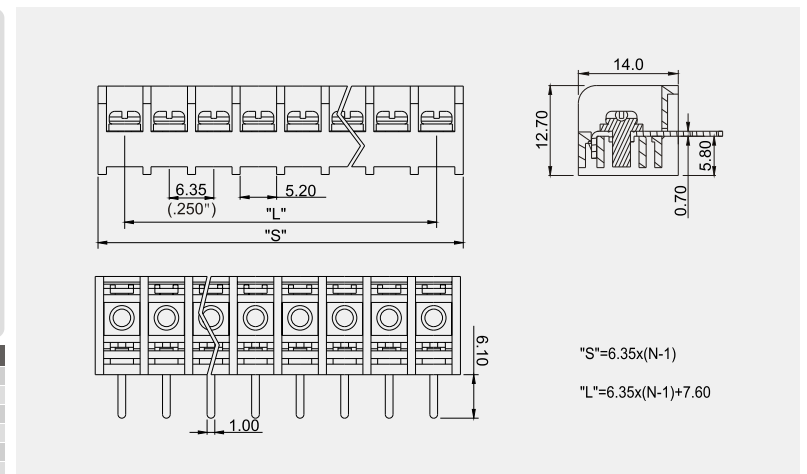
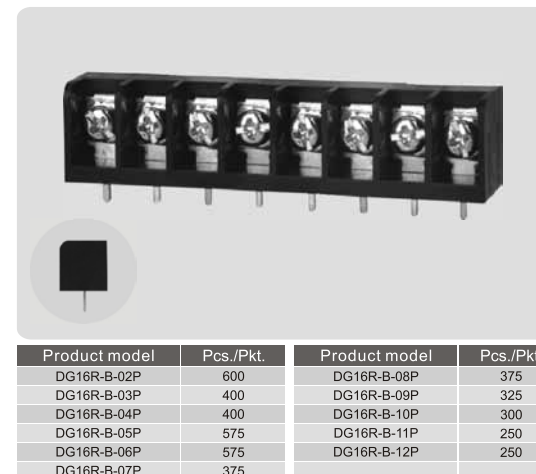
### HOW TO ORDER 製品型番 订货方法



## DG16S-B



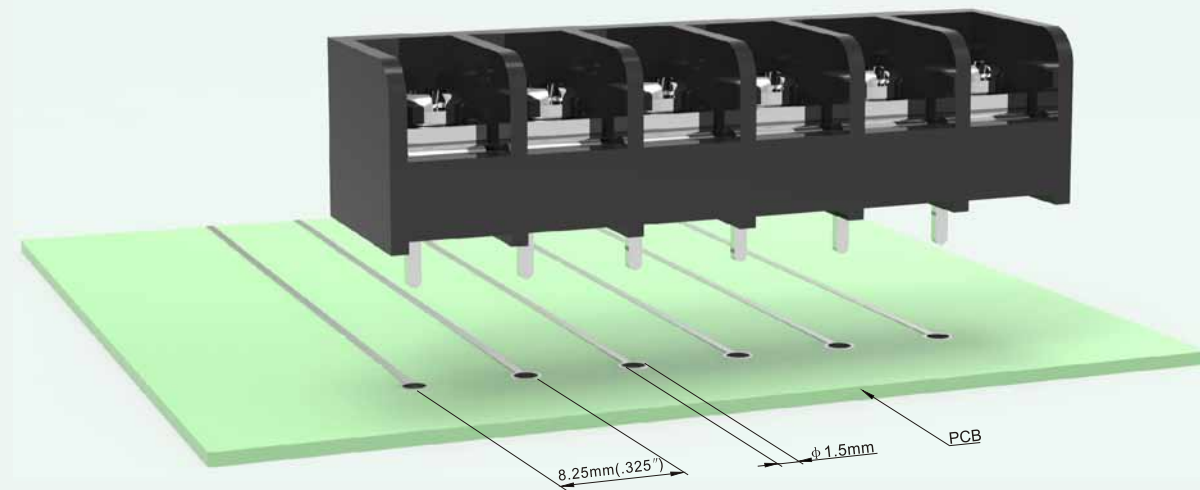
## DG16R-B



Poles	2	3	4	5	6	7	8	9	10
L	13.95mm(.549")	20.30mm(.799")	26.65mm(1.049")	33.00mm(1.299")	39.35mm(1.549")	45.70mm(1.799")	52.05mm(2.049")	58.40mm(2.299")	64.75mm(2.549")
S	6.35mm(.250")	12.70mm(.500")	19.05mm(.750")	25.40mm(1.00")	31.75mm(1.250")	38.10mm(1.500")	44.45mm(1.75")	50.80mm(1.972")	57.15mm(2.250")
Poles	11	12	13	14	15	16	17	18	19
L	71.10mm(2.799")	77.45mm(3.049")	83.80mm(3.299")	90.15mm(3.549")	96.50mm(3.799")	102.85mm(4.049")	109.20mm(4.299")	115.55mm(4.549")	121.90mm(4.799")
S	63.50mm(2.500")	69.85mm(2.750")	76.20mm(3.000")	82.55mm(3.250")	88.90mm(3.500")	95.25mm(3.750")	101.60mm(4.000")	107.95mm(4.250")	114.30mm(4.500")
Poles	20	21	22	23	24	25	26		
L	128.25mm(10.36")	134.60mm(6.272")	140.95mm(5.549")	147.30mm(7.799")	153.65mm(6.049")				
S	120.65mm(5.049")	127.00mm(5.000")	133.35mm(5.250")	139.70mm(5.500")	146.05mm(5.750")				

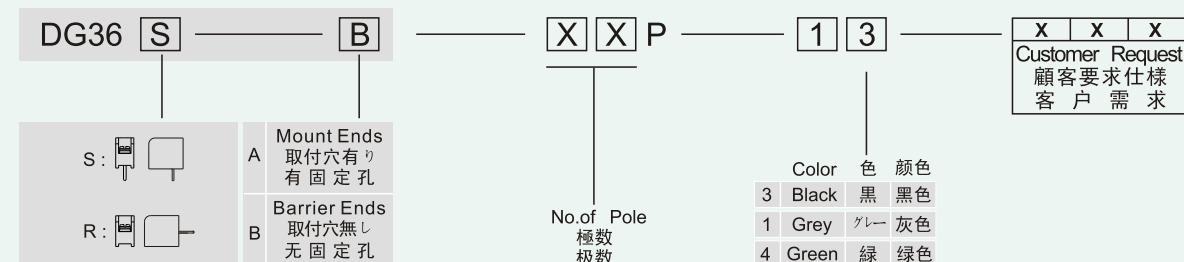


## DG36

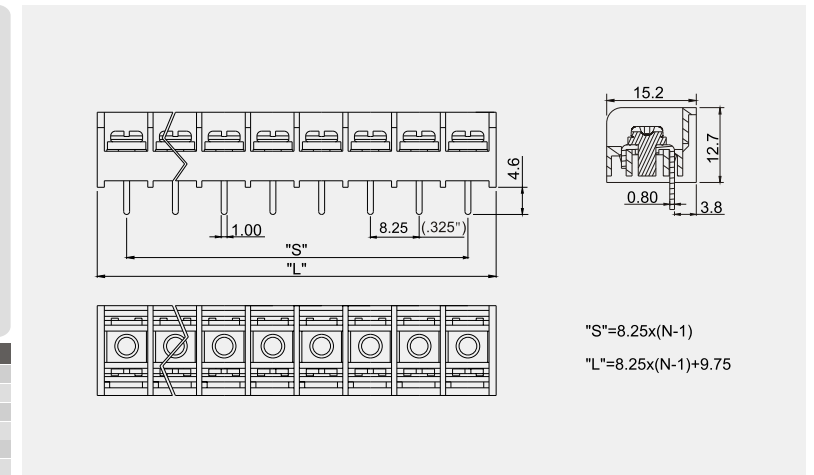
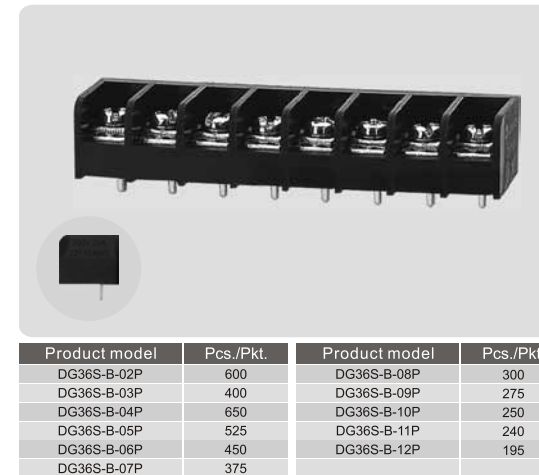


Electrical	電気性能	电气性能	UL 1059 & CSA C22.2 NO. 158		
Standard	安全規格	参考标准			
Use group	使用レベル	使用级别	<b>B</b>	<b>C</b>	<b>D</b>
Rated voltage	定格電圧	额定电压	300V	150V	300V
Rated current	定格電流	额定电流	20A	20A	10A
Wire range	電線径	导线线径	22-12AWG		
Ring/Fork terminals	丸型圧着端子 先開型圧着端子	预绝缘端子	0.2-2.5mm <sup>2</sup> /22-14AWG 0.5-2.5mm <sup>2</sup> /22-12AWG		
With standing voltage	耐電圧	耐电压	AC1600V/1Min		
Insulation Resistance	絶縁抵抗	绝缘阻抗	500MΩ/DC500V		
Mechanical	機械性能	机械性能			
Torque Value	ネジ締付トルク	锁紧扭力	0.5N.m (4.4Lb.In)		
Ambient temperature	環境温度	环境温度	-40°C~+105°C		
Stripping length	電線剥き長	剥线长度	7-8mm		
Dimensions	寸法	尺寸			
Pitch	ピッチ	间距	8.25mm (.325")		
Poles	極数	极数	DG□S-B-60-A	2P,3P,4P	
			DG□-B	2P-24P	
Material	材質及びメッキ	材质及电镀			
Housing	本体	塑件	PA66, UL94V-0		
Terminal	導電板	端子	Copper alloy, 0.8t, Tin Plated	銅合金, 0.8厚, 錫メッキ	銅合金, 0.8厚, 鍍錫
Screws	結線ビス	螺丝	Steel, M3, Ni Plated	鋼, M3, ニッケルメッキ	鋼, M3, 鍍銀
Other Data	他の情報	其他信息			
PCB Hole Diameter	PCB取付孔径	PCB板孔径	φ 1.5mm		

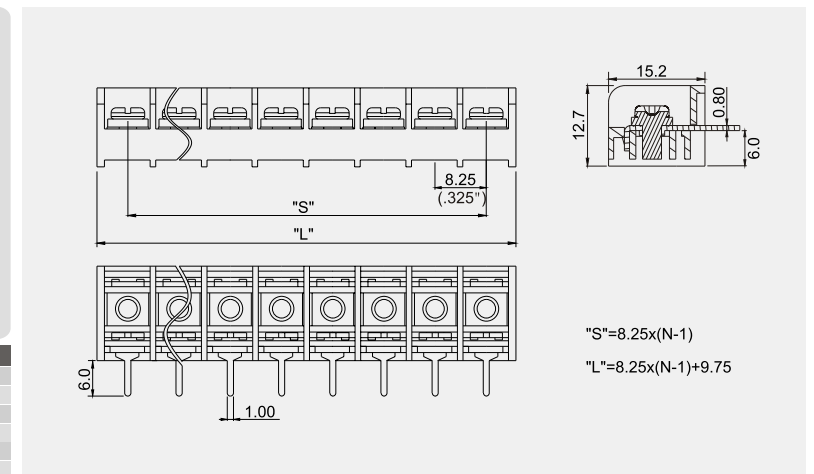
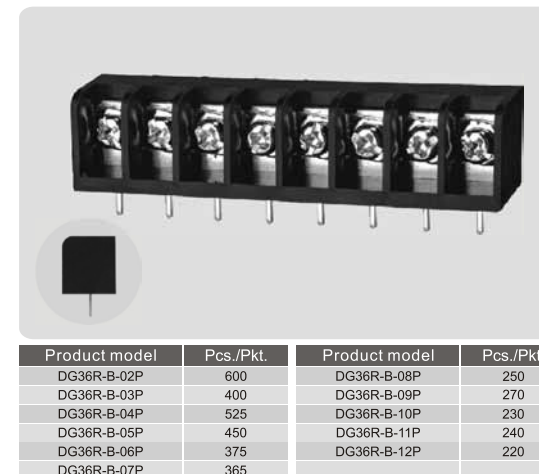
### HOW TO ORDER 製品型番 订货方法



## DG36S-B

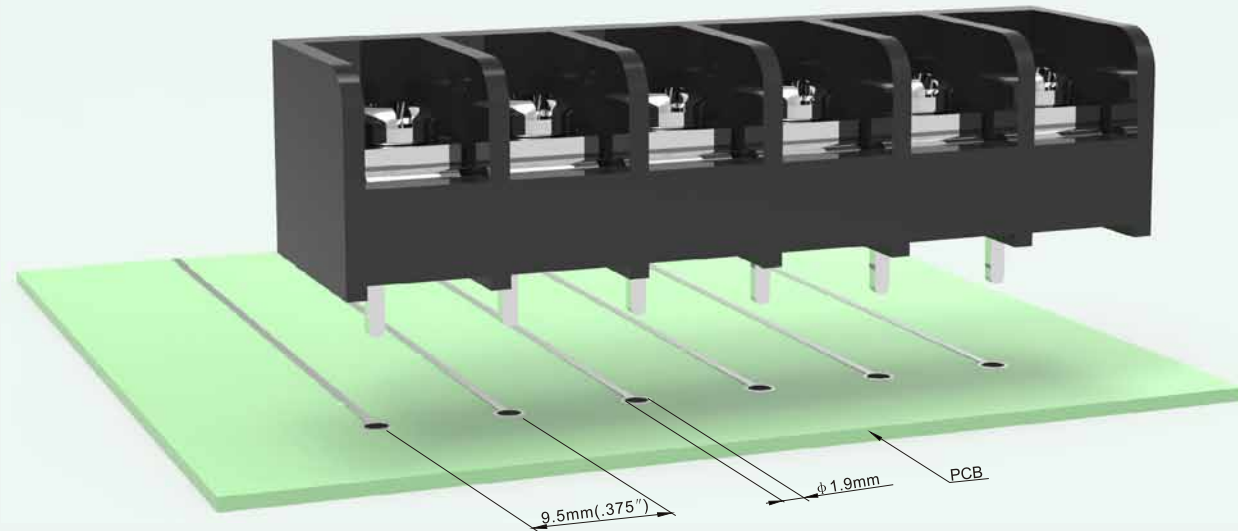


## DG36R-B



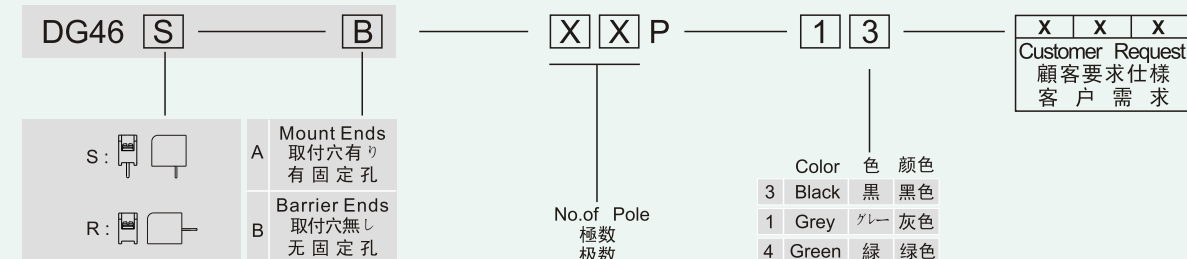
Poles	2	3	4	5	6	7	8	9	10
L	18.00mm(7.09")	26.25mm(1.033")	34.50mm(1.358")	42.75mm(1.683")	51.00mm(2.008")	59.25mm(2.333")	67.50mm(2.657")	75.75mm(3.048")	84.00mm(2.982")
S	8.25mm(.325")	16.50mm(.650")	24.75mm(.974")	33.00mm(1.299")	41.25mm(1.624")	49.50mm(1.949")	57.75mm(2.273")	66.00mm(2.598")	74.25mm(2.923")
Poles	11	12	13	14	15	16	17	18	19
L	92.25mm(3.632")	100.50mm(3.957")	108.75mm(4.281")	117.00mm(4.606")	125.25mm(4.931")	133.50mm(5.256")	141.75mm(5.581")	150.00mm(5.906")	158.25mm(6.230")
S	82.50mm(3.248")	90.75mm(3.573")	99.00mm(3.898")	107.25mm(4.222")	115.50mm(4.547")	123.75mm(4.872")	132.00mm(5.197")	140.25mm(5.522")	148.50mm(5.846")
Poles	20	21	22	23	24	25	26		
L	166.50mm(6.555")	174.75mm(6.880")	183.00mm(7.205")						
S	156.75mm(6.171")	165.00mm(6.496")	173.25mm(6.821")						

## DG46

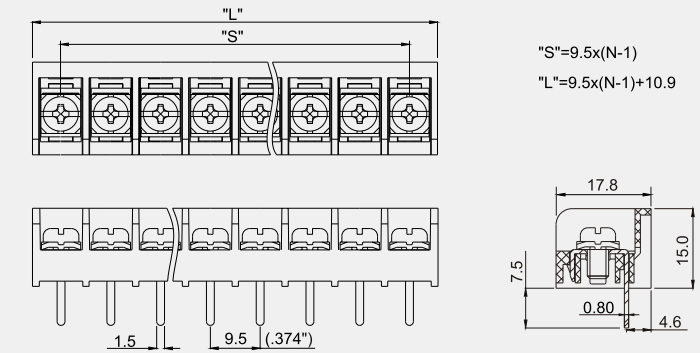
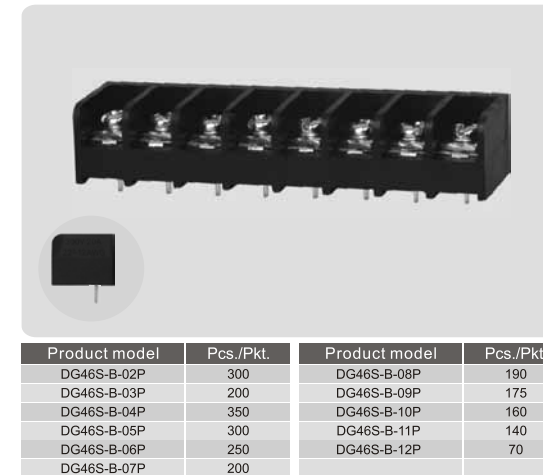


Electrical	電気性能	电气性能	UL 1059 & CSA C22.2 NO. 158		
Standard	安全規格	参考标准			
Use group	使用レベル	使用级别	<b>B</b>	<b>C</b>	<b>D</b>
Rated voltage	定格電圧	额定电压	300V	150V	300V
Rated current	定格電流	额定电流	30A	20A	10A
Wire range	電線径	导线线径	22-10AWG		
Ring/Fork terminals	丸型圧着端子 先開型圧着端子	预绝缘端子	0.5-2.5mm <sup>2</sup> /22-14AWG 0.5-4.0mm <sup>2</sup> /22-10AWG		
With standing voltage	耐電圧	耐电压	AC1600V/1Min		
Insulation Resistance	絶縁抵抗	绝缘阻抗	500MΩ/DC500V		
Mechanical	機械性能	机械性能			
Torque Value	ネジ締付トルク	锁紧扭力	1.2N.m (10.5Lb.In)		
Ambient temperature	環境温度	环境温度	-40°C~+105°C		
Stripping length	電線剥き長	剥线长度	8-9mm		
Dimensions	寸法	尺寸			
Pitch	ピッチ	间距	9.5mm (.374")		
Poles	極数	极数	DG□S-B-60-A	2P,3P	
			DG□-B	2P-26P	
Material	材質及びメッキ	材质及电镀			
Housing	本体	塑件	PA66, UL94V-0		
Terminal	導電板	端子	Copper alloy,0.8t,Tin Plated	銅合金,0.8厚,錫メッキ	銅合金,0.8厚,鍍錫
Screws	結線ビス	螺丝	Steel,M4,Ni Plated	鋼,M4,ニッケルメッキ	鋼,M4,鍍銀
Other Data	他の情報	其他信息			
PCB Hole Diameter	PCB取付穴径	PCB板孔径	φ 1.9mm		

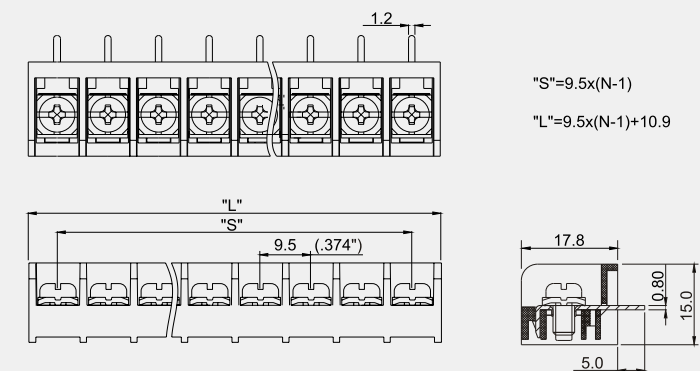
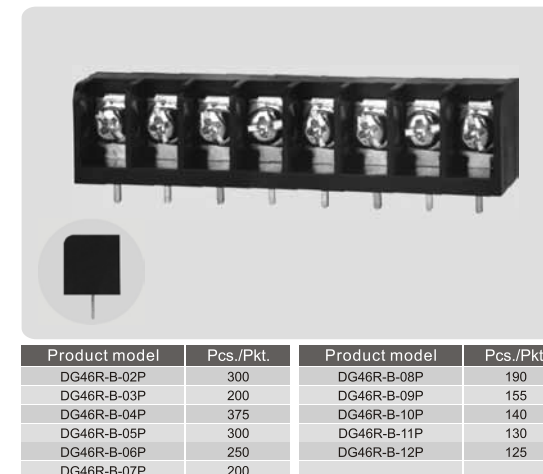
### HOW TO ORDER 製品型番 订货方法



## DG46S-B



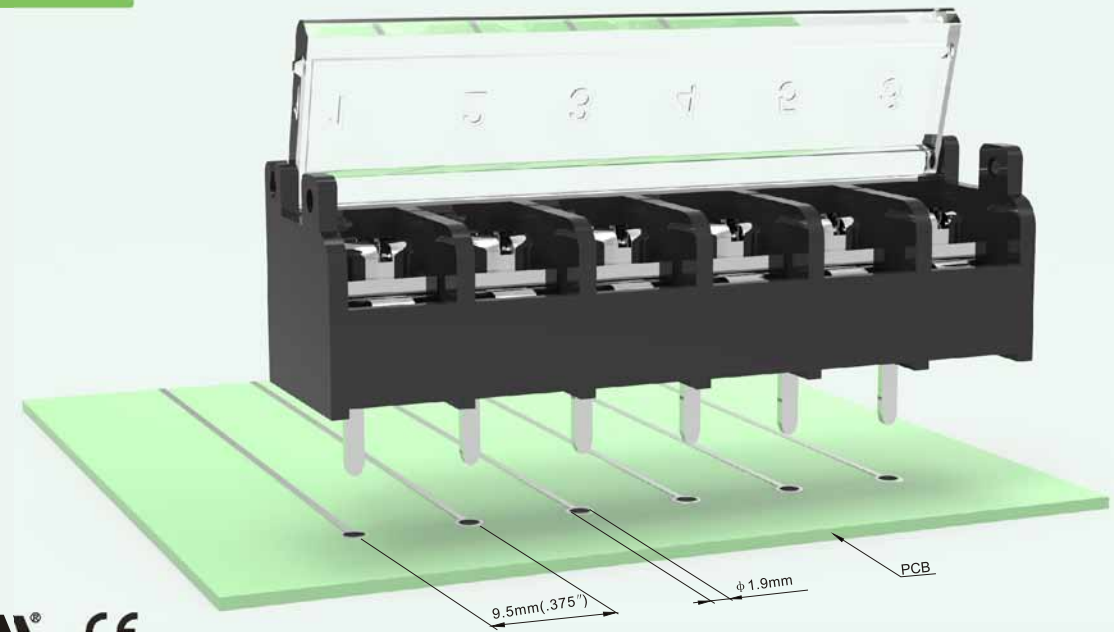
## DG46R-B



Poles	2	3	4	5	6	7	8	9	10
L	20.40mm(803")	29.90mm(1.177")	39.40mm(1.551")	48.90mm(1.925")	58.40mm(2.299")	67.90mm(2.673")	77.40mm(3.047")	86.90mm(3.421")	96.40mm(3.795")
S	9.50mm(.374")	19.00mm(.748")	28.50mm(1.122")	38.00mm(1.496")	47.50mm(1.624")	57.00mm(2.244")	66.50mm(2.618")	76.00mm(2.992")	85.50mm(3.366")
Poles	11	12	13	14	15	16	17	18	19
L	105.90mm(4.169")	115.40mm(4.543")	124.90mm(4.917")	134.40mm(5.291")	143.90mm(5.665")	153.40mm(6.039")	162.90mm(6.413")	172.40mm(6.787")	181.90mm(7.161")
S	95.00mm(3.740")	104.50mm(4.114")	114.00mm(4.488")	123.50mm(4.862")	133.00mm(5.236")	142.50mm(5.610")	152.00mm(5.984")	161.50mm(6.358")	171.00mm(6.732")
Poles	20	21	22	23	24	25	26		
L	191.40mm(7.535")	200.90mm(7.909")	210.40mm(8.283")						
S	180.50mm(7.106")	190.00mm(7.480")	199.50mm(7.854")						

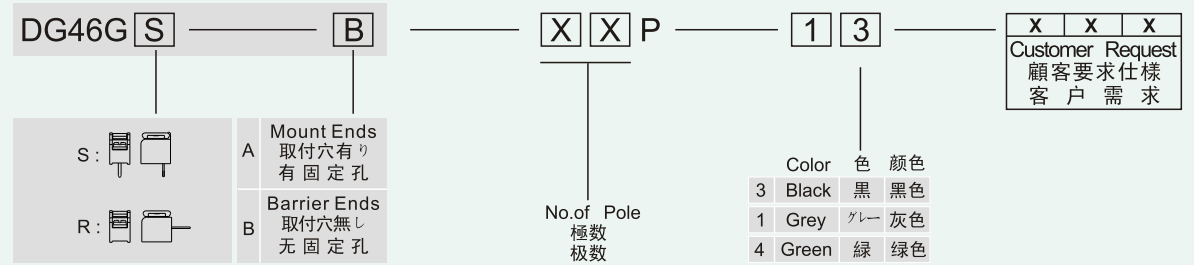


## DG46G

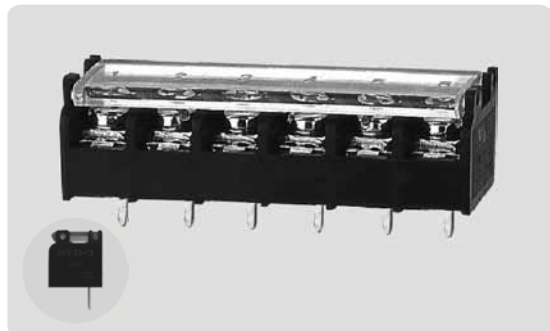


Electrical	電気性能	电气性能	UL 1059 & CSA C22.2 NO. 158		
Standard	安全規格	参考标准			
Use group	使用レベル	使用级别	<b>B</b>	<b>C</b>	<b>D</b>
Rated voltage	定格電圧	额定电压	300V	150V	300V
Rated current	定格電流	额定电流	20A	20A	10A
Wire range	電線径	导线线径	22-12AWG		
Ring/Fork terminals	丸型圧着端子 先開型圧着端子	预绝缘端子	0.2-2.5mm <sup>2</sup> /22-14AWG 0.5-4.0mm <sup>2</sup> /22-12AWG		
With standing voltage	耐電圧	耐电压	AC1600V/1Min		
Insulation Resistance	絶縁抵抗	绝缘阻抗	500MΩ/DC500V		
Mechanical	機械性能	机械性能			
Torque Value	ネジ締めトルク	锁紧扭力	1.2N.m (10.5Lb.In)		
Ambient temperature	環境温度	环境温度	-40°C~+105°C		
Stripping length	電線剥き長	剥线长度	8-9mm		
Dimensions	寸法	尺寸			
Pitch	ピッチ	间距	9.5mm (.374")		
Poles	極数	极数	2P-12P		
Material	材質及びメッキ	材质及电镀	PA66, UL94V-0		
Housing	本体	塑件			
Terminal	導電板	端子	Copper alloy, 0.8t, Tin Plated	銅合金, 0.8厚, 錫メッキ	銅合金, 0.8厚, 鍍錫
Screws	結線ビス	螺丝	Steel, M4, Ni Plated	鋼, M4, ニッケルメッキ	鋼, M4, 鍍銀
Other Data	他の情報	其他信息			
PCB Hole Diameter	PCB取付穴径	PCB板孔径	φ 1.9mm		

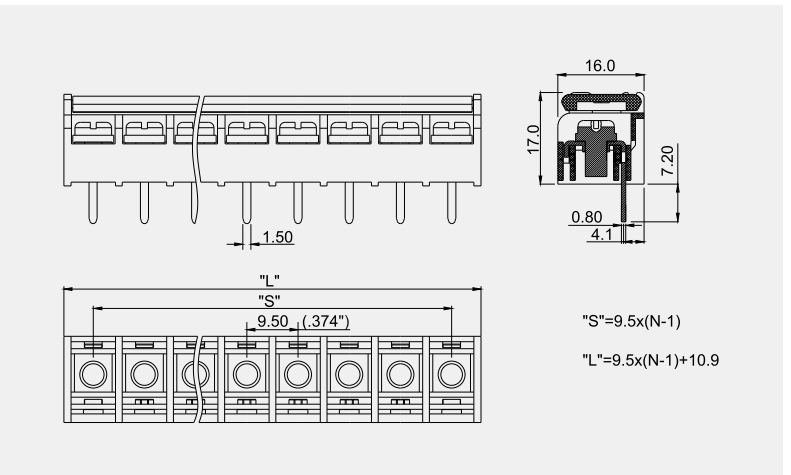
### HOW TO ORDER 製品型番 订货方法



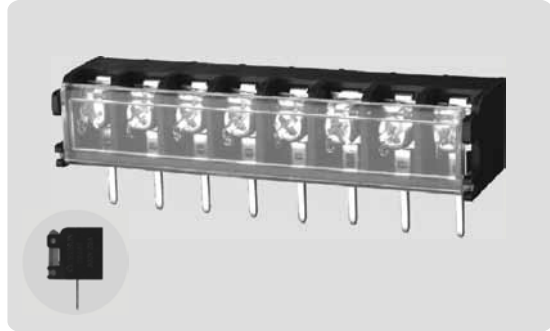
## DG46GS-B



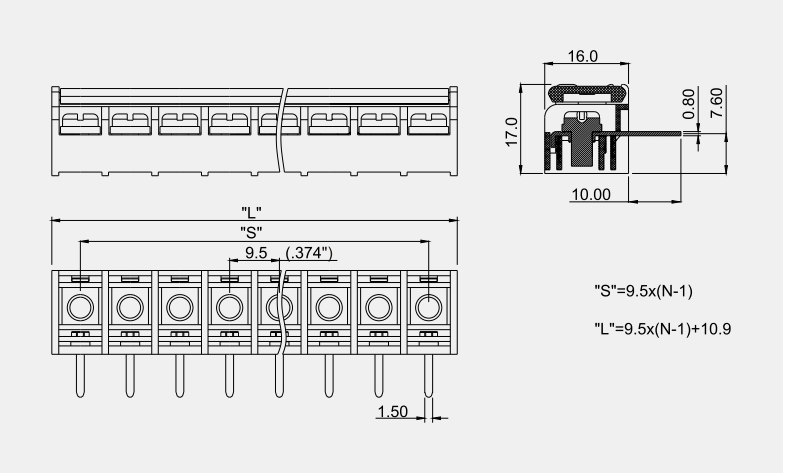
Product model	Pcs./Pkt.	Product model	Pcs./Pkt.
DG46GS-B-02P	810	DG46GS-B-08P	195
DG46GS-B-03P	540	DG46GS-B-09P	180
DG46GS-B-04P	395	DG46GS-B-10P	150
DG46GS-B-05P	330	DG46GS-B-11P	190
DG46GS-B-06P	270	DG46GS-B-12P	135
DG46GS-B-07P	215		



## DG46GR-B

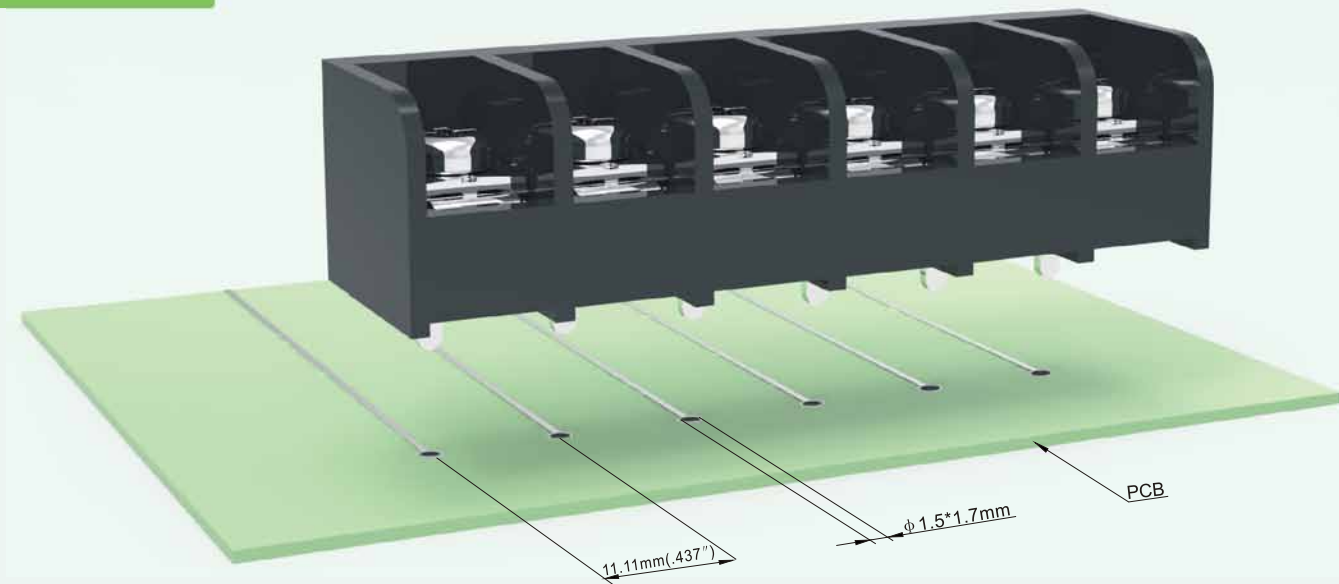


Product model	Pcs./Pkt.	Product model	Pcs./Pkt.
DG46GR-B-02P	300	DG46GR-B-08P	130
DG46GR-B-03P	325	DG46GR-B-09P	125
DG46GR-B-04P	275	DG46GR-B-10P	100
DG46GR-B-05P	200	DG46GR-B-11P	85
DG46GR-B-06P	175	DG46GR-B-12P	85
DG46GR-B-07P	140		



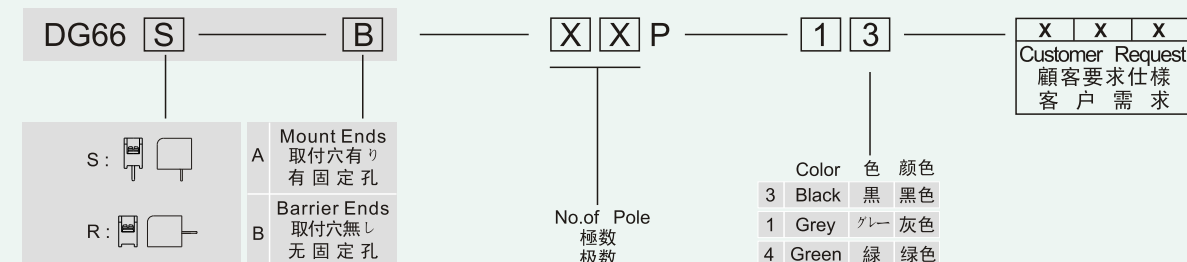
Poles	2	3	4	5	6	7	8	9	10
L	20.40mm(.803")	29.90mm(1.177")	39.40mm(1.551")	48.90mm(1.925")	58.40mm(2.299")	67.90mm(2.673")	77.40mm(3.047")	86.90mm(3.421")	96.40mm(3.795")
S	9.50mm(.374")	19.00mm(.748")	28.50mm(1.122")	38.00mm(1.496")	47.50mm(1.624")	57.00mm(2.244")	66.50mm(2.618")	76.00mm(2.992")	85.50mm(3.366")
Poles	11	12	13	14	15	16	17	18	19
L	105.90mm(4.169")	115.40mm(4.543")							
S	95.00mm(3.740")	104.50mm(4.114")							

## DG66



Electrical	電気性能	电气性能	UL 1059 & CSA C22.2 NO. 158		
Standard	安全規格	参考标准			
Use group	使用レベル	使用级别	<b>B</b>	<b>C</b>	<b>D</b>
Rated voltage	定格電圧	额定电压	300V	150V	300V
Rated current	定格電流	额定电流	30A	30A	10A
Wire range	電線径	导线线径	22-10AWG		
Ring/Fork terminals	丸型圧着端子 先開型圧着端子	预绝缘端子	0.2-4.0mm <sup>2</sup> /22-10AWG 0.5-4.0mm <sup>2</sup> /22-10AWG		
With standing voltage	耐電圧	耐电压	AC1600V/1Min		
Insulation Resistance	絶縁抵抗	绝缘电阻	500MΩ /DC500V		
Mechanical	機械性能	机械性能			
Torque Value	ネジ締めトルク	锁紧扭力	1.2N.m (10.5Lb.In)		
Ambient temperature	環境温度	环境温度	-40°C~+105°C		
Stripping length	電線剥き長	剥线长度	9-10mm		
Dimensions	寸法	尺寸			
Pitch	ピッチ	间距	11.11mm(.437")		
Poles	極数	极数	2P-26P		
Material	材質及びメッキ	材质及电镀			
Housing	本体	塑件	PA66, UL94V-0		
Terminal	導電板	端子	Copper alloy, 0.8t, Tin Plated	銅合金, 0.8厚, 錫メッキ	銅合金, 0.8厚, 鍍錫
Screws	結線ビス	螺丝	Steel, M4, Ni Plated	鋼, M4, ニッケルメッキ	鋼, M4, 鍍銀
Other Data	他の情報	其他信息			
PCB Hole Diameter	PCB取付穴径	PCB板孔径	φ 1.5*1.7mm		

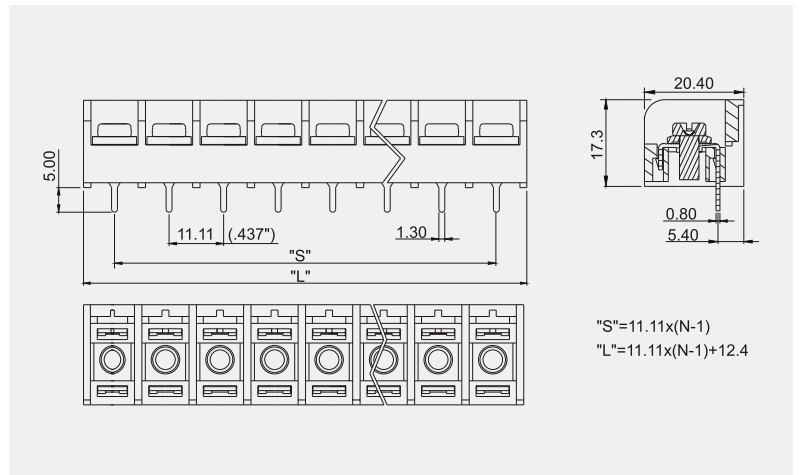
### HOW TO ORDER 製品型番 订货方法



## DG66S-B



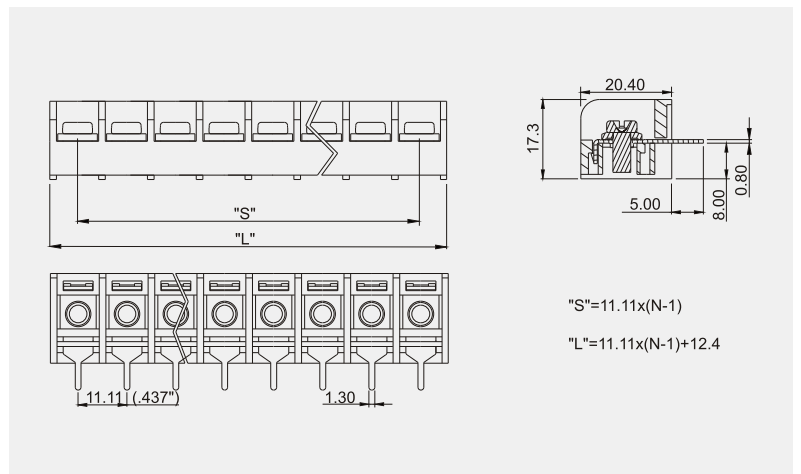
Product model	Pcs./Pkt.	Product model	Pcs./Pkt.
DG66S-B-02P	300	DG66S-B-08P	120
DG66S-B-03P	200	DG66S-B-09P	95
DG66S-B-04P	235	DG66S-B-10P	90
DG66S-B-05P	185	DG66S-B-11P	85
DG66S-B-06P	145	DG66S-B-12P	65
DG66S-B-07P	120		



## DG66R-B



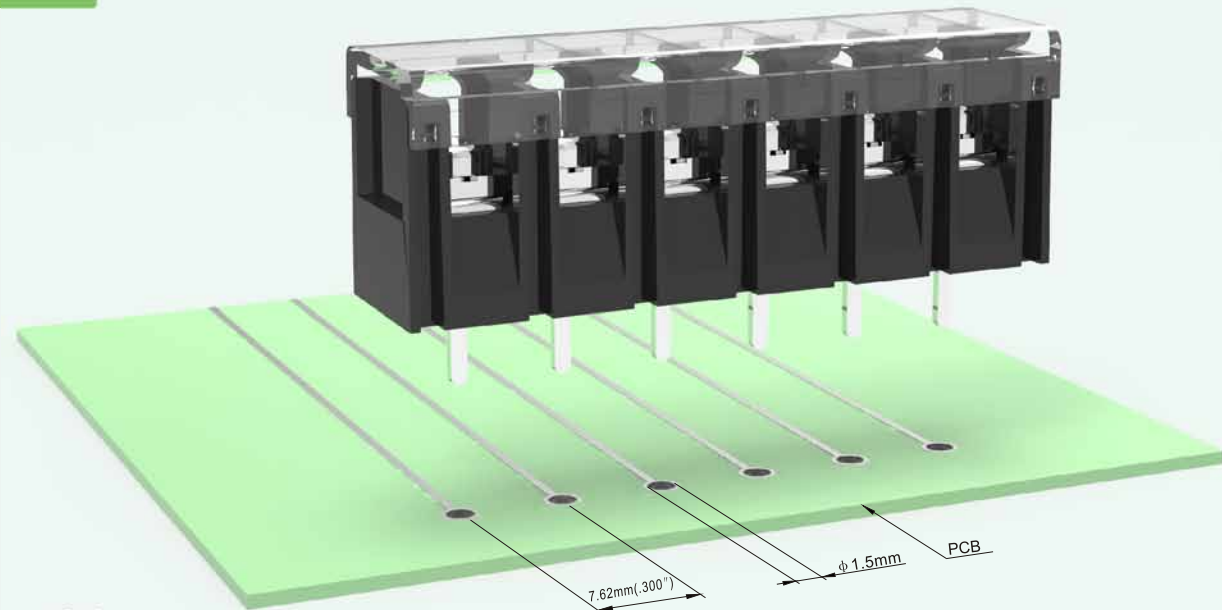
Product model	Pcs./Pkt.	Product model	Pcs./Pkt.
DG66R-B-02P	300	DG66R-B-08P	120
DG66R-B-03P	200	DG66R-B-09P	100
DG66R-B-04P	245	DG66R-B-10P	95
DG66R-B-05P	195	DG66R-B-11P	90
DG66R-B-06P	155	DG66R-B-12P	75
DG66R-B-07P	135		



Poles	2	3	4	5	6	7	8	9	10
L	23.51mm(.926")	34.62mm(1.363")	45.73mm(1.800")	56.84mm(2.238")	67.95mm(2.675")	79.06mm(3.113")	90.17mm(3.550")	101.28mm(3.987")	112.39mm(4.425")
S	11.11mm(.437")	22.22mm(.875")	33.33mm(1.312")	44.44mm(1.750")	55.55mm(2.187")	66.66mm(2.624")	77.77mm(3.062")	88.88mm(3.499")	99.99mm(3.937")
Poles	11	12	13	14	15	16	17	18	19
L	123.50mm(4.862")	134.61mm(5.300")							
S	111.10mm(4.374")	122.21mm(4.811")							



## DG28



Electrical	電気性能	电气性能	UL1059 & CSA C22.2 NO.158		
Standard	安全規格	参考标准			
Use group	使用レベル	使用级别	<b>B</b>	<b>C</b>	<b>D</b>
Rated voltage	定格電圧	额定电压	300V	300V	300V
Rated current	定格電流	额定电流	15A	15A	10A
Wire range	電線径	导线线径	22-14AWG		
Ring/Fork terminals	丸型圧着端子 先開型圧着端子	預絕緣端子	-		
With standing voltage	耐電圧	耐电压	AC1600V/1Min		
Insulation Resistance	絶縁抵抗	绝缘电阻	500MΩ/DC500V		
Mechanical	機械性能	机械性能			
Torque Value	ネジ締めトルク	锁紧扭力	0.5N.m (4.4Lb.In)		
Ambient temperature	環境温度	环境温度	-40°C~+105°C		
Stripping length	電線剥き長	剥线长度	7-8mm		
Dimensions	寸法	尺寸			
Pitch	ピッチ	间距	7.62mm(.300")		
Poles	極数	极数	DG□-A	2P-24P	
			DG□-B	2P-26P	
Material	材質及びメッキ	材质及电镀	PA66+23%GF, UL94V-0		
Housing	本体	塑件			
Terminal	導電板	端子	Copper alloy, 0.8t, Tin Plated	銅合金, 0.8厚, 錫メッキ	铜合金, 0.8厚, 镀锡
Screws	結線ビス	螺丝	Steel, M3, Ni Plated	鋼, M3, ニッケルメッキ	钢, M3, 镀锌
Other Data	他の情報	其他信息			
PCB Hole Diameter	PCB取付孔径	PCB板孔径	φ1.5mm		

### HOW TO ORDER 製品型番 订货方法

DG28 **C** **B** **X X P** **1 3** **X X X**

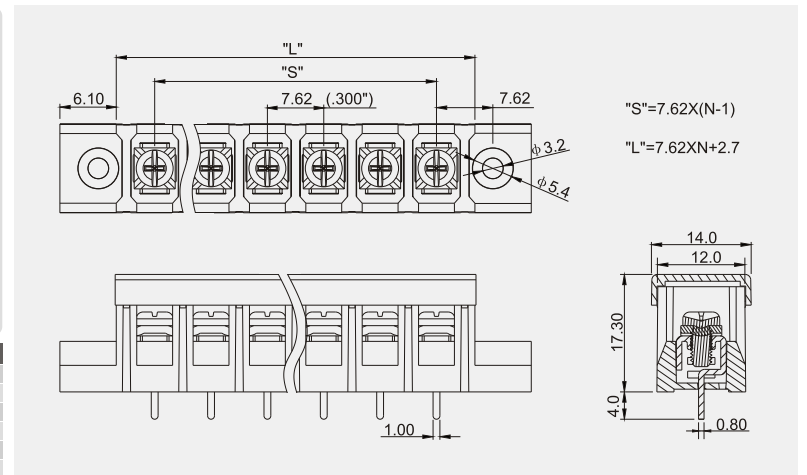
Customer Request 顧客要求仕様 客户需求

C: S: A: Mount Ends 取付穴有り 有固定孔  
 H: R: B: Barrier Ends 取付穴無し 无固定孔

No. of Pole 極数  
 3 Black 黒 黑色  
 1 Grey グレー 灰色  
 4 Green 緑 绿色

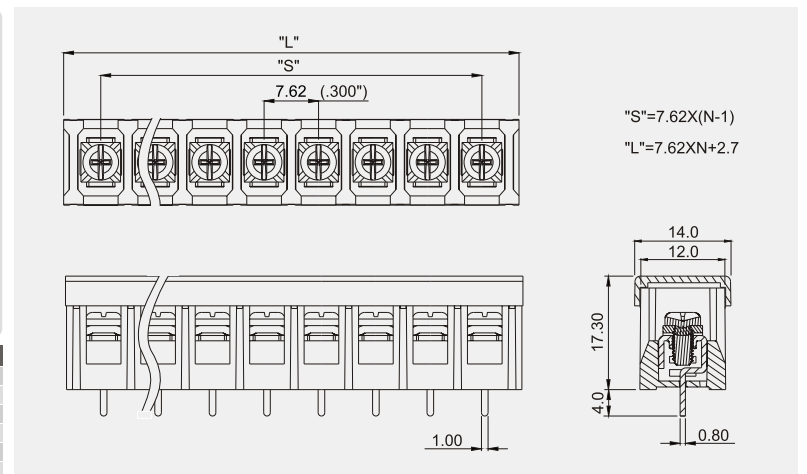
### DG28C-A

Product model	Pcs./Pkt.	Product model	Pcs./Pkt.
DG28C-A-02P	540	DG28C-A-08P	210
DG28C-A-03P	375	DG28C-A-09P	195
DG28C-A-04P	340	DG28C-A-10P	170
DG28C-A-05P	295	DG28C-A-11P	145
DG28C-A-06P	270	DG28C-A-12P	135
DG28C-A-07P	215		



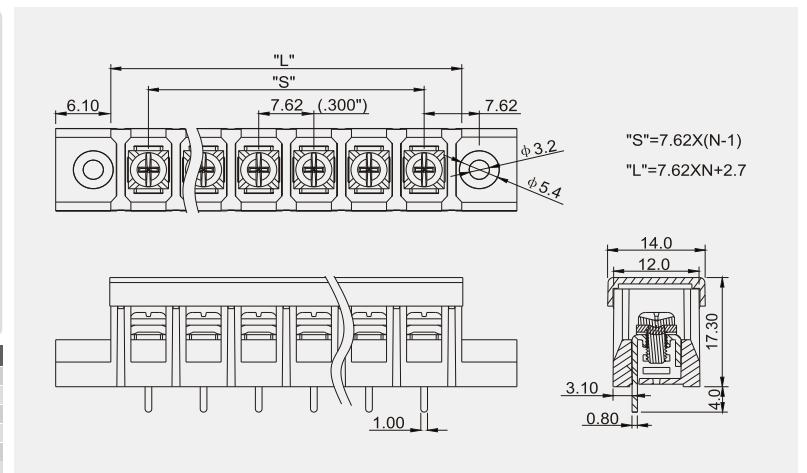
### DG28C-B

Product model	Pcs./Pkt.	Product model	Pcs./Pkt.
DG28C-B-02P	900	DG28C-B-08P	250
DG28C-B-03P	650	DG28C-B-09P	250
DG28C-B-04P	490	DG28C-B-10P	205
DG28C-B-05P	400	DG28C-B-11P	200
DG28C-B-06P	400	DG28C-B-12P	185
DG28C-B-07P	210		

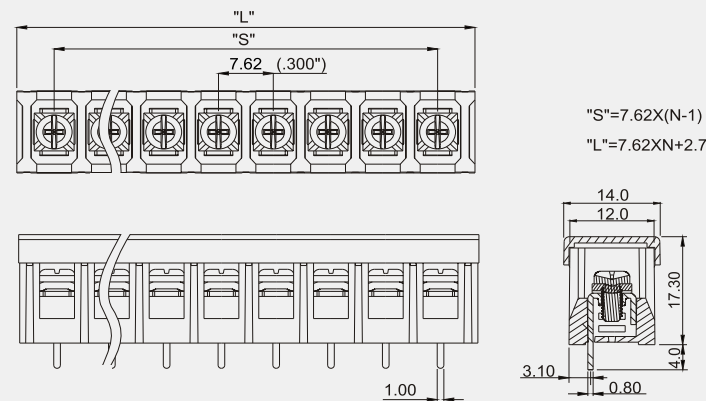


### DG28S-A

Product model	Pcs./Pkt.	Product model	Pcs./Pkt.
DG28C-A-02P	540	DG28C-A-08P	210
DG28C-A-03P	375	DG28C-A-09P	195
DG28C-A-04P	340	DG28C-A-10P	170
DG28C-A-05P	295	DG28C-A-11P	145
DG28C-A-06P	270	DG28C-A-12P	135
DG28C-A-07P	215		

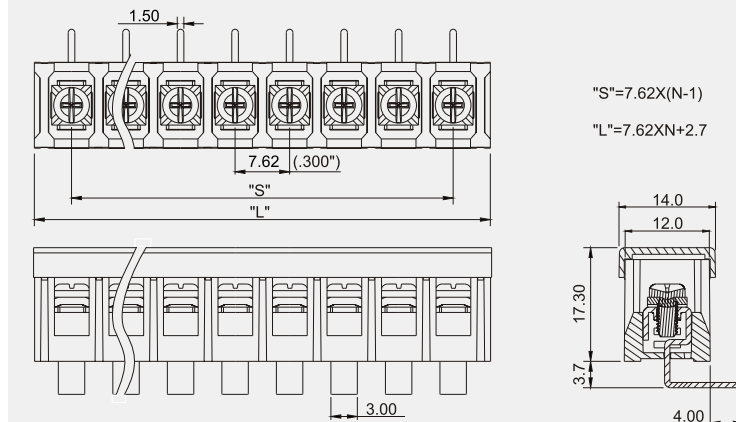
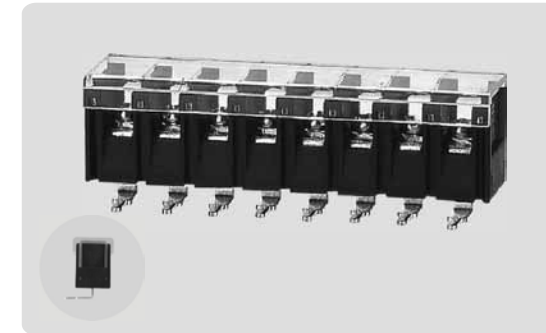


## DG28S-B



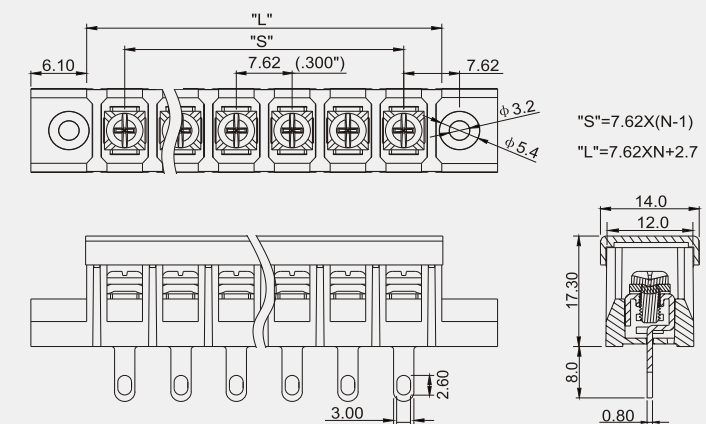
Product model	Pcs./Pkt.	Product model	Pcs./Pkt.
DG28S-B-02P	920	DG28S-B-08P	270
DG28S-B-03P	650	DG28S-B-09P	220
DG28S-B-04P	475	DG28S-B-10P	205
DG28S-B-05P	410	DG28S-B-11P	195
DG28S-B-06P	325	DG28S-B-12P	170
DG28S-B-07P	290		

## DG28R-B



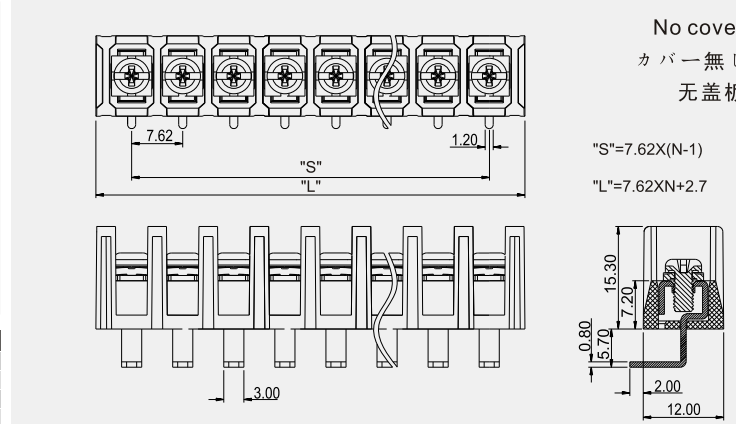
Product model	Pcs./Pkt.	Product model	Pcs./Pkt.
DG28R-B-02P	900	DG28R-B-08P	250
DG28R-B-03P	650	DG28R-B-09P	240
DG28R-B-04P	500	DG28R-B-10P	200
DG28R-B-05P	375	DG28R-B-11P	195
DG28R-B-06P	325	DG28R-B-12P	190
DG28R-B-07P	275		

## DG28H-A



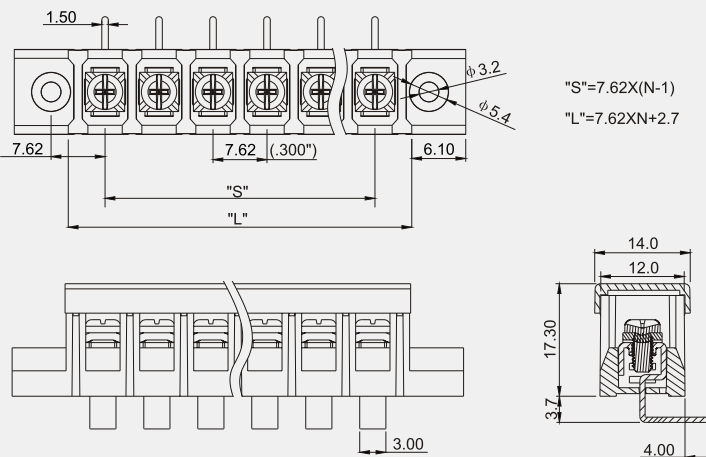
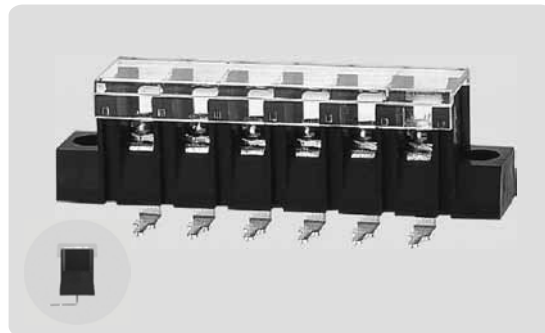
Product model	Pcs./Pkt.	Product model	Pcs./Pkt.
DG28H-A-02P	500	DG28H-A-08P	215
DG28H-A-03P	400	DG28H-A-09P	190
DG28H-A-04P	340	DG28H-A-10P	165
DG28H-A-05P	275	DG28H-A-11P	160
DG28H-A-06P	275	DG28H-A-12P	130
DG28H-A-07P	225		

## DG28R-B-XXP-1Y-16AH



Product model	Pcs./Pkt.	Product model	Pcs./Pkt.
DG28R-B-02P-16AH	900	DG28R-B-08P-16AH	250
DG28R-B-03P-16AH	650	DG28R-B-09P-16AH	240
DG28R-B-04P-16AH	500	DG28R-B-10P-16AH	200
DG28R-B-05P-16AH	375	DG28R-B-11P-16AH	195
DG28R-B-06P-16AH	325	DG28R-B-12P-16AH	190
DG28R-B-07P-16AH	275		

## DG28R-A

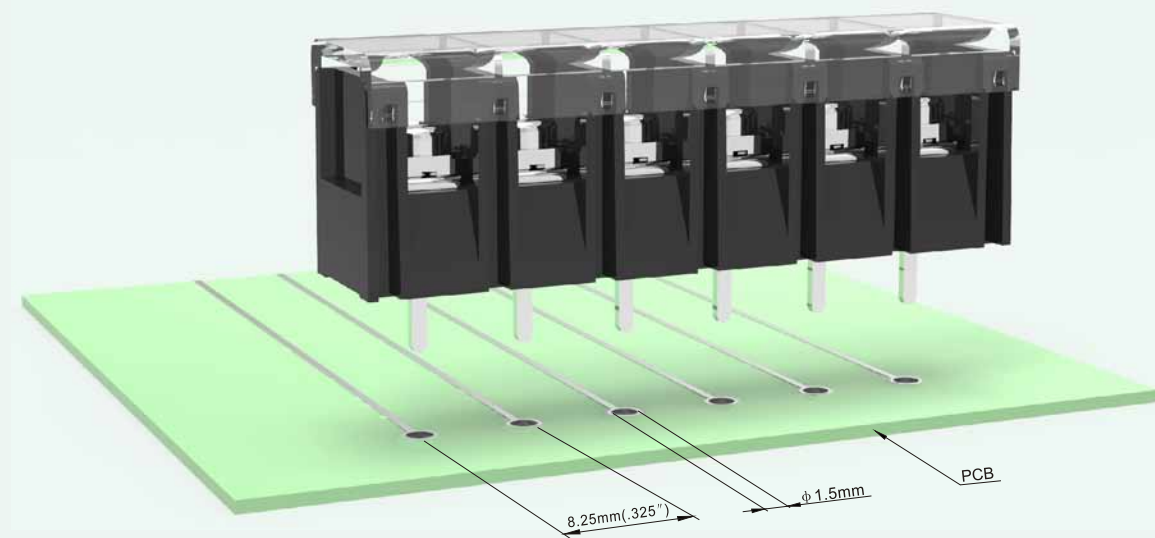


Product model	Pcs./Pkt.	Product model	Pcs./Pkt.
DG28R-A-02P	540	DG28R-A-08P	210
DG28R-A-03P	430	DG28R-A-09P	190
DG28R-A-04P	350	DG28R-A-10P	190
DG28R-A-05P	300	DG28R-A-11P	180
DG28R-A-06P	275	DG28R-A-12P	155
DG28R-A-07P	230		

Poles	2	3	4	5	6	7	8	9	10
L	18.29mm(0.720")	25.91mm(1.020")	33.53mm(1.320")	41.15mm(1.620")	48.77mm(1.920")	56.39mm(2.220")	64.01mm(2.520")	71.63mm(2.820")	79.25mm(3.120")
S	7.62mm(0.300")	15.24mm(0.600")	22.86mm(0.900")	30.48mm(1.200")	38.10mm(1.500")	45.72mm(1.800")	53.34mm(2.100")	60.96mm(2.400")	68.58mm(2.700")
Poles	11	12	13	14	15	16	17	18	19
L	86.87mm(3.420")	94.49mm(3.720")	102.11mm(4.020")	109.73mm(4.320")	117.35mm(4.620")	124.97mm(4.920")	132.59mm(5.220")	140.21mm(5.520")	147.83mm(5.820")
S	76.20mm(3.000")	83.82mm(3.300")	91.44mm(3.600")	99.06mm(3.900")	106.68mm(4.200")	114.30mm(4.500")	121.92mm(4.800")	129.54mm(5.100")	137.16mm(5.400")
Poles	20	21	22	23	24	25	26		
L	155.45mm(6.120")	163.07mm(6.420")	170.69mm(6.720")	178.31mm(7.020")	185.93mm(7.320")	193.55mm(7.620")	201.17mm(7.920")		
S	144.78mm(5.700")	152.40mm(6.000")	160.02mm(6.200")	167.64mm(6.600")	175.26mm(6.900")	182.88mm(7.200")	190.50mm(7.500")		



## DG38



Electrical	電気性能	电气性能	UL1059 & CSA C22.2 NO.158		
Standard	安全規格	参考标准			
Use group	使用レベル	使用级别	<b>B</b>	<b>C</b>	<b>D</b>
Rated voltage	定格電圧	额定电压	300V	150V	300V
Rated current	定格電流	额定电流	15A	15A	10A
Wire range	電線径	导线线径	22-14AWG		
Ring/Fork terminals	丸型圧着端子 先開型圧着端子	預绝缘端子	-		
With standing voltage	耐電圧	耐电压	AC1600V/1Min		
Insulation Resistance	絶縁抵抗	绝缘阻抗	500MΩ/DC500V		

Mechanical	機械性能	机械性能	0.5N.m (4.4Lb.In)		
Torque Value	ネジ締付トルク	锁紧扭力			
Ambient temperature	環境温度	环境温度	-40°C~+105°C		
Stripping length	電線剥き長	剥线长度	7-8mm		

Dimensions	寸法	尺寸	8.25mm (.325")		
Pitch	ピッチ	间距			
Poles	極数	极数	DG□-A	2P-24P	
			DG□-B	2P-26P	

Material	材質及びメッキ	材质及电镀	PA66+23%GF, UL94V-0		
Housing	本体	塑件			
Terminal	導電板	端子	Copper alloy, 0.8t, Tin Plated	銅合金, 0.8厚, 錫メッキ	铜合金, 0.8厚, 镀锡
Screws	結線ビス	螺丝	Steel, M3, Ni Plated	鋼, M3, ニッケルメッキ	钢, M3, 镀镍

Other Data	他の情報	其他信息	φ1.5mm		
PCB Hole Diameter	PCB取付穴径	PCB板孔径			

### HOW TO ORDER 製品型番 订货方法

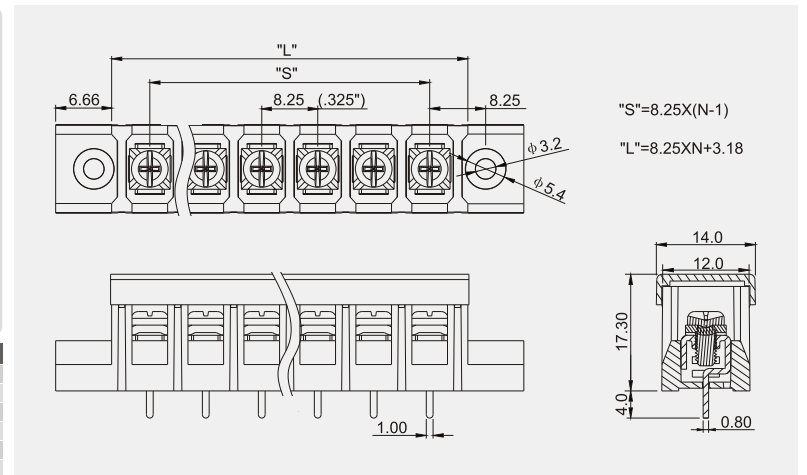
DG38 **C** ————— **B** ————— **X X P** ————— **1 3** ————— **X X X**

Customer Request 顧客要求仕様 客户需求

C:	S:	A:	No. of Pole 極数	Color 色 颜色
H:	R:	B:		3 Black 黒 黑色
			1 Grey グレー 灰色	4 Green 緑 绿色

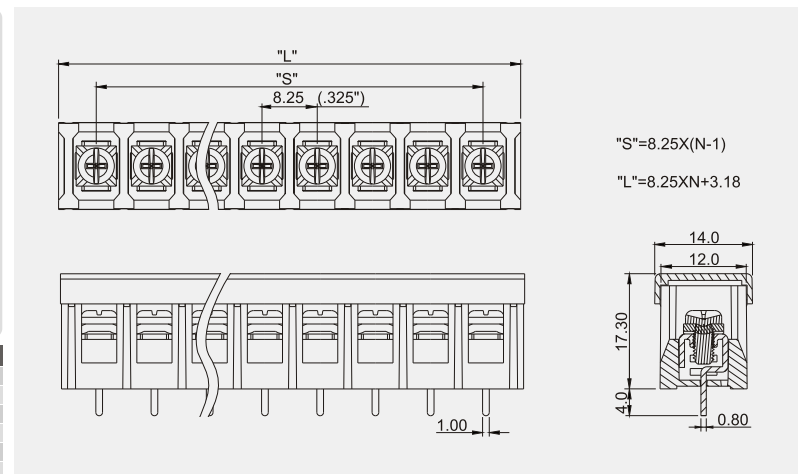
### DG38C-A

Product model	Pcs./Pkt.	Product model	Pcs./Pkt.
DG38C-A-02P	500	DG38C-A-08P	200
DG38C-A-03P	400	DG38C-A-09P	170
DG38C-A-04P	340	DG38C-A-10P	170
DG38C-A-05P	280	DG38C-A-11P	130
DG38C-A-06P	300	DG38C-A-12P	130
DG38C-A-07P	200		



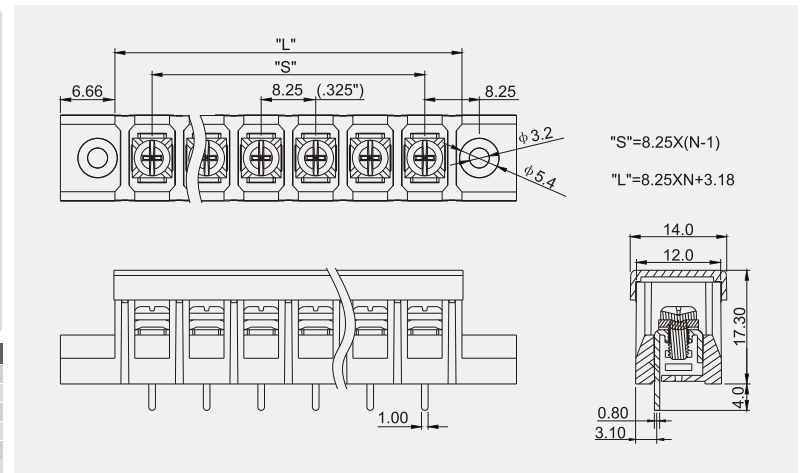
### DG38C-B

Product model	Pcs./Pkt.	Product model	Pcs./Pkt.
DG38C-B-02P	850	DG38C-B-08P	225
DG38C-B-03P	595	DG38C-B-09P	210
DG38C-B-04P	455	DG38C-B-10P	190
DG38C-B-05P	350	DG38C-B-11P	175
DG38C-B-06P	300	DG38C-B-12P	140
DG38C-B-07P	270		

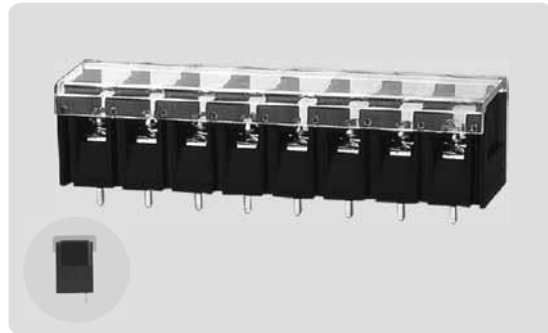


### DG38S-A

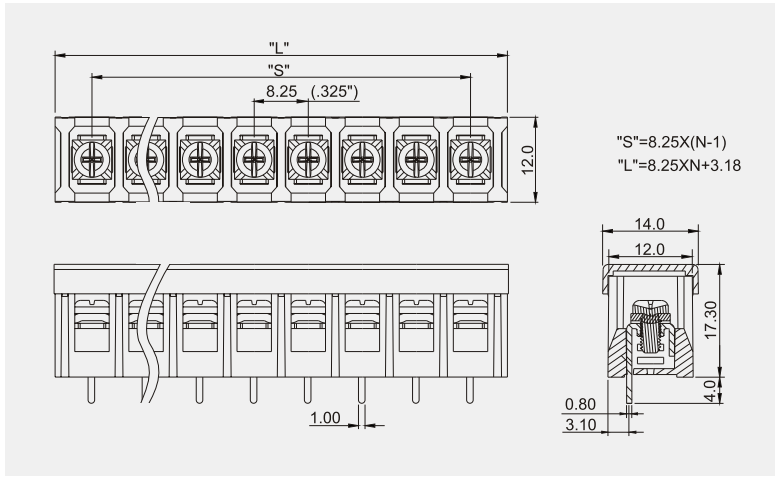
Product model	Pcs./Pkt.	Product model	Pcs./Pkt.
DG38S-A-02P	850	DG38S-A-08P	300
DG38S-A-03P	850	DG38S-A-09P	225
DG38S-A-04P	595	DG38S-A-10P	190
DG38S-A-05P	455	DG38S-A-11P	210
DG38S-A-06P	350	DG38S-A-12P	175
DG38S-A-07P	270		



## DG38S-B



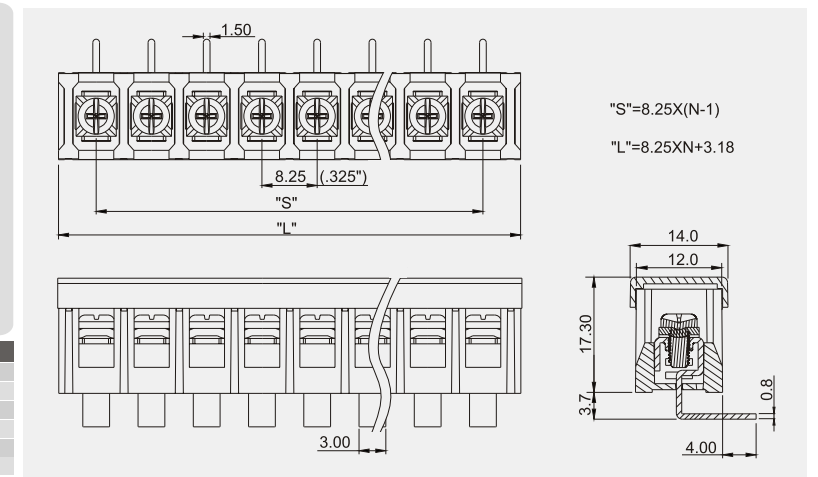
Product model	Pcs./Pkt.	Product model	Pcs./Pkt.
DG38S-B-02P	850	DG38S-B-08P	300
DG38S-B-03P	850	DG38S-B-09P	225
DG38S-B-04P	595	DG38S-B-10P	190
DG38S-B-05P	455	DG38S-B-11P	210
DG38S-B-06P	350	DG38S-B-12P	175
DG38S-B-07P	270		



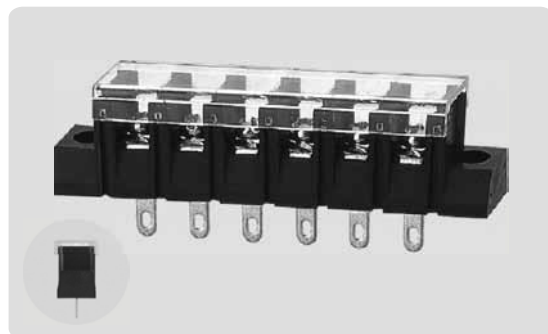
## DG38R-B



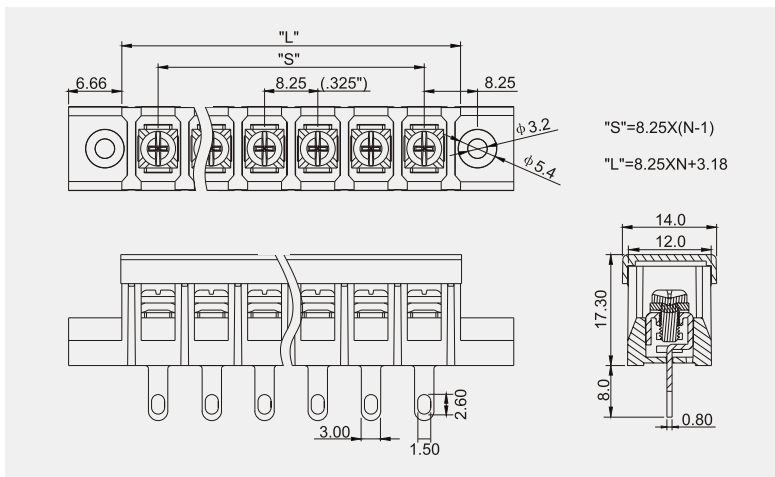
Product model	Pcs./Pkt.	Product model	Pcs./Pkt.
DG38R-B-02P	850	DG38R-B-08P	300
DG38R-B-03P	850	DG38R-B-09P	225
DG38R-B-04P	595	DG38R-B-10P	190
DG38R-B-05P	455	DG38R-B-11P	210
DG38R-B-06P	350	DG38R-B-12P	175
DG38R-B-07P	270		



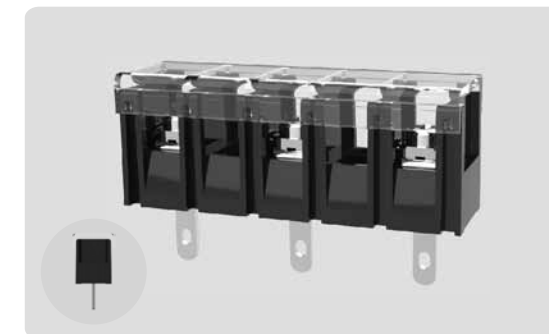
## DG38H-A



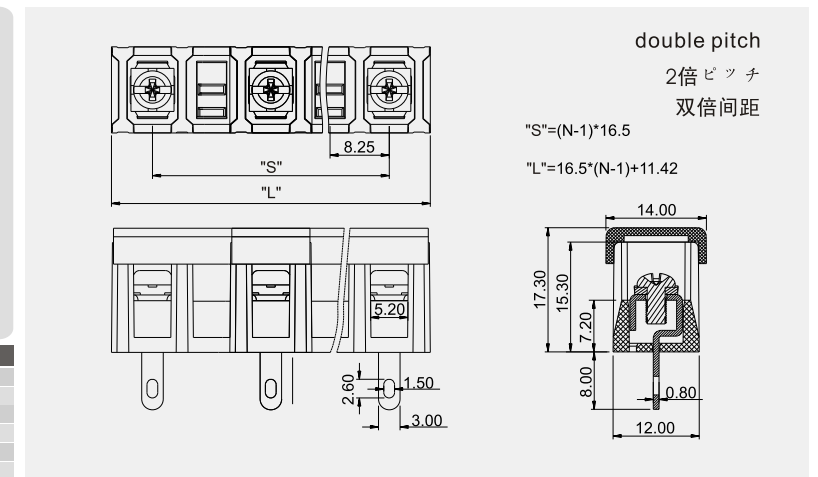
Product model	Pcs./Pkt.	Product model	Pcs./Pkt.
DG38H-A-02P	500	DG38H-A-08P	200
DG38H-A-03P	400	DG38H-A-09P	170
DG38H-A-04P	340	DG38H-A-10P	170
DG38H-A-05P	280	DG38H-A-11P	130
DG38H-A-06P	250	DG38H-A-12P	120
DG38H-A-07P	200		



## DG38H-B-XXP-2Y-00AH



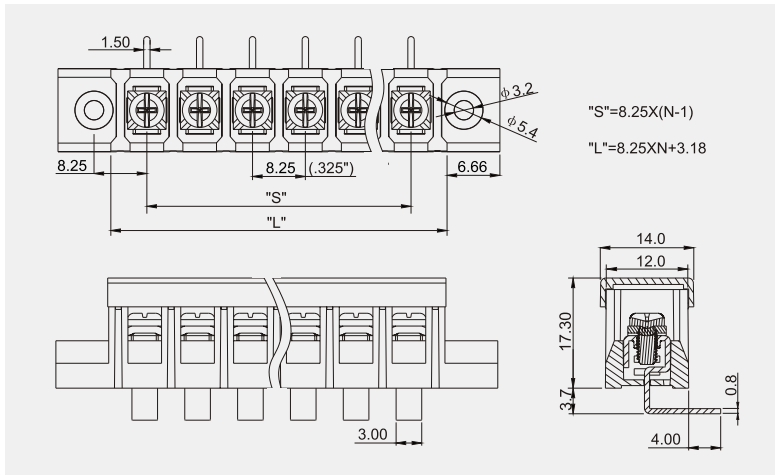
Product model	Pcs./Pkt.	Product model	Pcs./Pkt.
DG38H-B-02P-00AH	850	DG38H-B-08P-00AH	225
DG38H-B-03P-00AH	595	DG38H-B-09P-00AH	210
DG38H-B-04P-00AH	455	DG38H-B-10P-00AH	190
DG38H-B-05P-00AH	350	DG38H-B-11P-00AH	175
DG38H-B-06P-00AH	300	DG38H-B-12P-00AH	140
DG38H-B-07P-00AH	270		



## DG38R-A



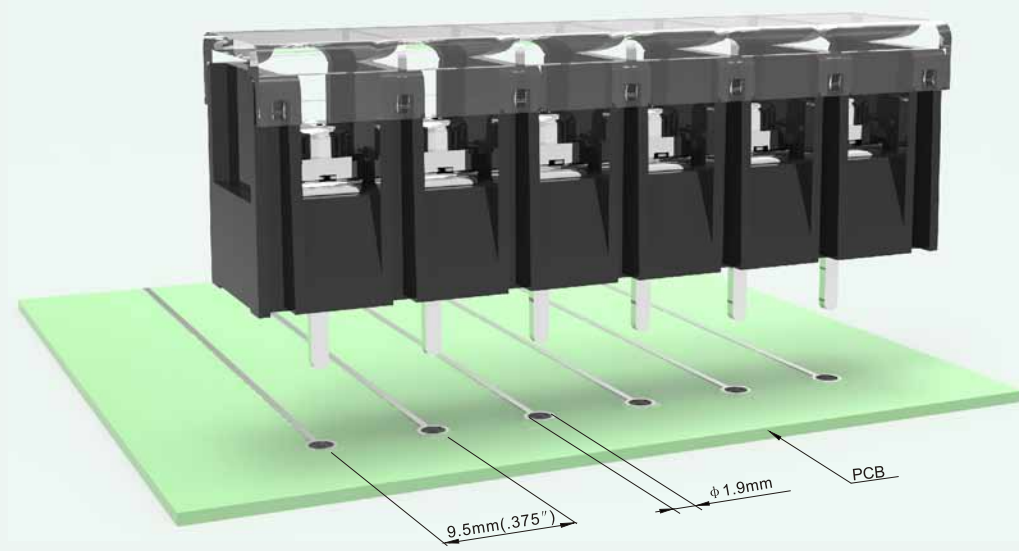
Product model	Pcs./Pkt.	Product model	Pcs./Pkt.
DG38R-A-02P	500	DG38R-A-08P	200
DG38R-A-03P	400	DG38R-A-09P	170
DG38R-A-04P	340	DG38R-A-10P	170
DG38R-A-05P	280	DG38R-A-11P	130
DG38R-A-06P	250	DG38R-A-12P	120
DG38R-A-07P	200		



Poles	2	3	4	5	6	7	8	9	10
L	19.68mm(775")	27.93mm(1.100")	36.18mm(1.424")	44.43mm(1.749")	52.68mm(2.074")	60.93mm(2.399")	69.18mm(2.724")	77.43mm(3.048")	85.68mm(3.373")
S	8.25mm(.325")	16.50mm(.650")	24.75mm(.974")	33.00mm(1.299")	41.25mm(1.624")	49.50mm(1.949")	57.75mm(2.273")	66.00mm(2.598")	74.25mm(2.923")
Poles	11	12	13	14	15	16	17	18	19
L	93.93mm(3.698")	102.18mm(4.023")	110.43mm(4.347")	118.68mm(4.672")	126.93mm(4.997")	135.18mm(5.322")	143.43mm(5.647")	151.68mm(5.972")	159.93mm(6.296")
S	82.50mm(3.248")	90.75mm(3.573")	99.00mm(3.898")	107.25mm(4.222")	115.50mm(4.547")	123.75mm(4.872")	132.00mm(5.197")	140.25mm(5.522")	148.50mm(5.846")
Poles	20	21	22	23	24	25	26		
L	168.18mm(6.621")	176.43mm(6.946")	184.68mm(7.271")	192.93mm(7.596")	201.18mm(7.920")	209.43mm(8.245")	217.68mm(8.570")		
S	156.75mm(6.171")	165.00mm(6.496")	173.25mm(6.821")	181.50mm(7.146")	189.75mm(7.470")	198.00mm(7.795")	206.25mm(8.120")		



## DG48



Electrical	電気性能	电气性能	UL1059 & CSA C22.2 NO.158		
Standard	安全規格	参考标准			
Use group	使用レベル	使用级别	<b>B</b>	<b>C</b>	<b>D</b>
Rated voltage	定格電圧	额定电压	300V	150V	300V
Rated current	定格電流	额定电流	20A	20A	10A
Wire range	電線径	导线线径	22-12AWG		
Ring/Fork terminals	丸型圧着端子 先開型圧着端子	预绝缘端子	0.5-2.5mm <sup>2</sup> /22-14AWG		
With standing voltage	耐電圧	耐电压	AC1600V/1Min		
Insulation Resistance	絶縁抵抗	绝缘阻抗	500MΩ/DC500V		
Mechanical	機械性能	机械性能			
Torque Value	ネジ締付トルク	锁紧扭力	1.2N.m (10.5Lb.In)		
Ambient temperature	環境温度	环境温度	-40°C~+105°C		
Stripping length	電線剥き長	剥线长度	8-9mm		
Dimensions	寸法	尺寸			
Pitch	ピッチ	间距	9.5mm (.374")		
Poles	極数	极数	DG□-A	2P-20P	
			DG□-B	2P-22P	
Material	材質及びメッキ	材质及电镀	PA66+23%GF, UL94V-0		
Housing	本体	塑件			
Terminal	導電板	端子	Copper alloy, 0.8t, Tin Plated	銅合金, 0.8厚, 錫メッキ	銅合金, 0.8厚, 鍍錫
Screws	結線ビス	螺丝	Steel, M4, Ni Plated	鋼, M4, ニッケルメッキ	鋼, M4, 鍍銀
Other Data	他の情報	其他信息			
PCB Hole Diameter	PCB取付穴径	PCB板孔径	φ1.9mm		

### HOW TO ORDER 製品型番 订货方法

DG48 **C** **B** **X X P** **1 3** **X X X**

Customer Request 顧客要求仕様 客户需求

Color 色 颜色  
 3 Black 黒 黑色  
 1 Grey グレー 灰色  
 4 Green 緑 绿色

No. of Pole 極数 极数

C: 取付穴有り 有固定孔  
 S: 取付穴無し 无固定孔  
 H: 取付穴有り 有固定孔  
 R: 取付穴無し 无固定孔  
 A: 取付穴有り 有固定孔  
 B: 取付穴無し 无固定孔

### DG48C-A

Product model	Pcs./Pkt.	Product model	Pcs./Pkt.
DG48C-A-02P	400	DG48C-A-08P	150
DG48C-A-03P	300	DG48C-A-09P	130
DG48C-A-04P	250	DG48C-A-10P	125
DG48C-A-05P	225	DG48C-A-11P	120
DG48C-A-06P	195	DG48C-A-12P	90
DG48C-A-07P	175		

"S"=9.50X(N-1)  
 "L"=9.50XN+3.16

### DG48C-B

Product model	Pcs./Pkt.	Product model	Pcs./Pkt.
DG48C-B-02P	600	DG48C-B-08P	180
DG48C-B-03P	450	DG48C-B-09P	170
DG48C-B-04P	350	DG48C-B-10P	150
DG48C-B-05P	300	DG48C-B-11P	130
DG48C-B-06P	250	DG48C-B-12P	125
DG48C-B-07P	200		

"S"=9.50X(N-1)  
 "L"=9.50XN+3.16

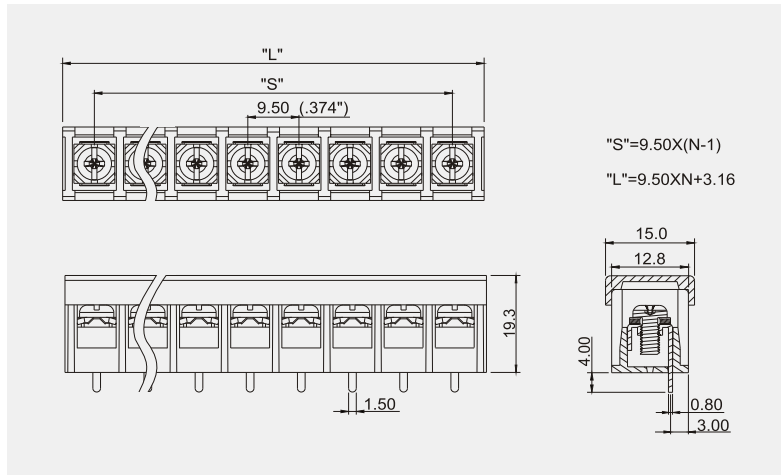
### DG48S-A

Product model	Pcs./Pkt.	Product model	Pcs./Pkt.
DG48S-A-02P	400	DG48S-A-08P	150
DG48S-A-03P	300	DG48S-A-09P	130
DG48S-A-04P	250	DG48S-A-10P	125
DG48S-A-05P	225	DG48S-A-11P	120
DG48S-A-06P	195	DG48S-A-12P	90
DG48S-A-07P	175		

"S"=9.50X(N-1)  
 "L"=9.50XN+3.16

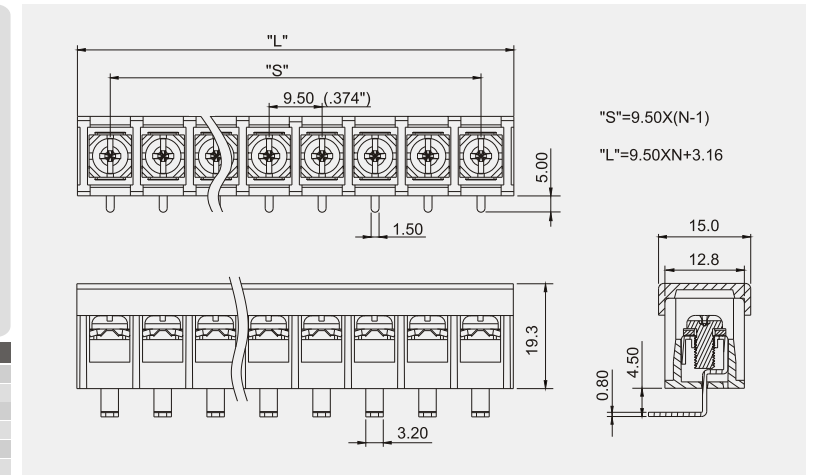
## DG48S-B

Product model	Pcs./Pkt.	Product model	Pcs./Pkt.
DG48S-B-02P	600	DG48S-B-08P	180
DG48S-B-03P	450	DG48S-B-09P	170
DG48S-B-04P	350	DG48S-B-10P	150
DG48S-B-05P	300	DG48S-B-11P	130
DG48S-B-06P	250	DG48S-B-12P	125
DG48S-B-07P	200		



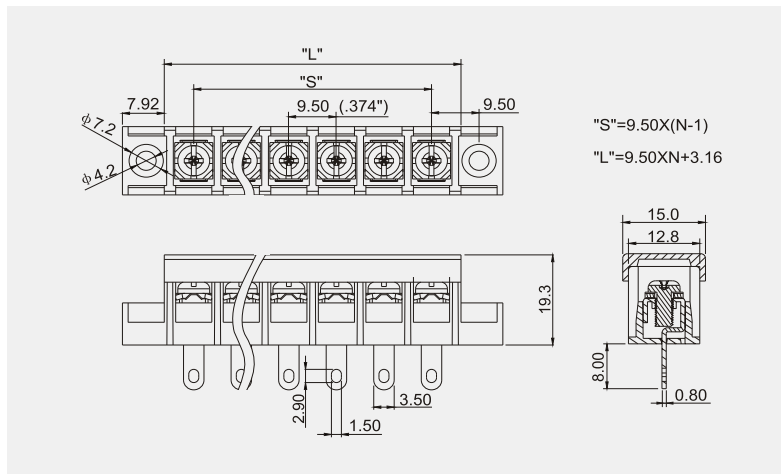
## DG48R-B

Product model	Pcs./Pkt.	Product model	Pcs./Pkt.
DG48R-B-02P	600	DG48R-B-08P	160
DG48R-B-03P	400	DG48R-B-09P	140
DG48R-B-04P	300	DG48R-B-10P	135
DG48R-B-05P	250	DG48R-B-11P	115
DG48R-B-06P	220	DG48R-B-12P	100
DG48R-B-07P	180		



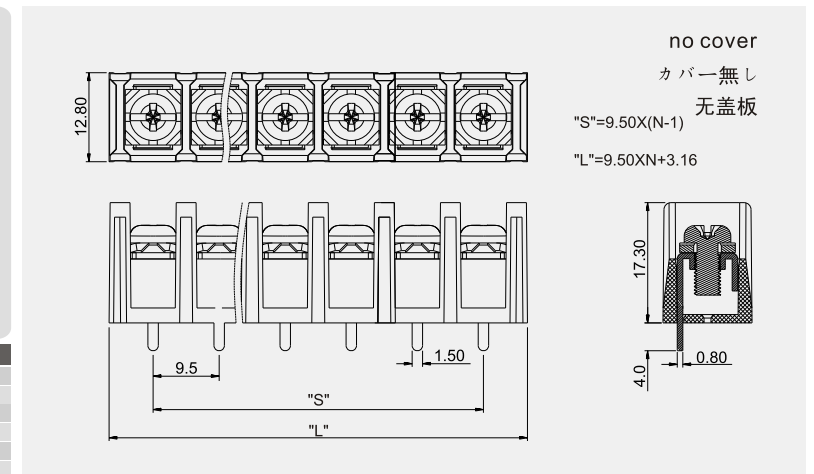
## DG48H-A

Product model	Pcs./Pkt.	Product model	Pcs./Pkt.
DG48H-A-02P	400	DG48H-A-08P	150
DG48H-A-03P	300	DG48H-A-09P	170
DG48H-A-04P	250	DG48H-A-10P	125
DG48H-A-05P	200	DG48H-A-11P	120
DG48H-A-06P	195	DG48H-A-12P	90
DG48H-A-07P	175		



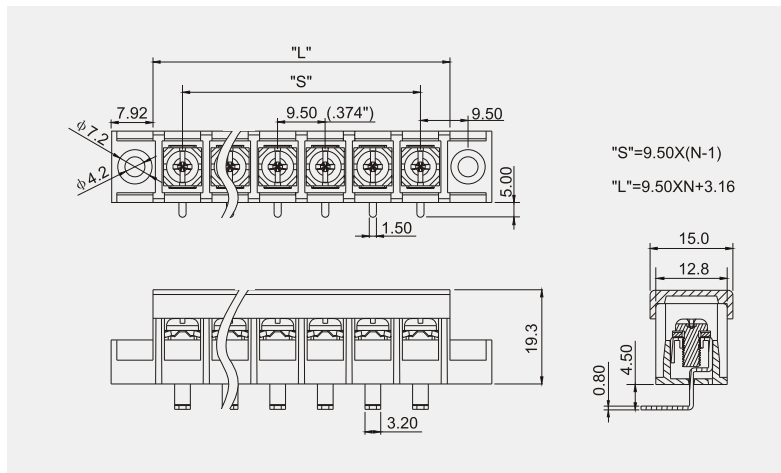
## DG48S-B-XXP-1Y-10AH

Product model	Pcs./Pkt.	Product model	Pcs./Pkt.
DG48S-B-02P-10AH	600	DG48S-B-08P-10AH	180
DG48S-B-03P-10AH	450	DG48S-B-09P-10AH	170
DG48S-B-04P-10AH	350	DG48S-B-10P-10AH	150
DG48S-B-05P-10AH	300	DG48S-B-11P-10AH	130
DG48S-B-06P-10AH	250	DG48S-B-12P-10AH	125
DG48S-B-07P-10AH	200		



## DG48R-A

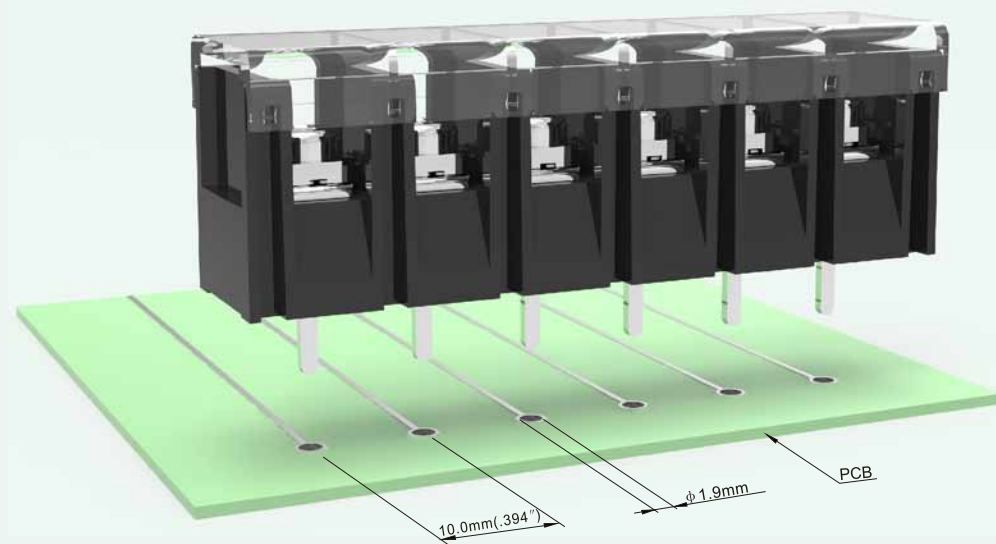
Product model	Pcs./Pkt.	Product model	Pcs./Pkt.
DG48R-A-02P	350	DG48R-A-08P	135
DG48R-A-03P	275	DG48R-A-09P	115
DG48R-A-04P	230	DG48R-A-10P	110
DG48R-A-05P	200	DG48R-A-11P	105
DG48R-A-06P	170	DG48R-A-12P	80
DG48R-A-07P	155		



Poles	2	3	4	5	6	7	8	9	10
L	22.16mm(0.872")	31.66mm(1.246")	41.16mm(1.620")	50.66mm(1.994")	60.16mm(2.368")	69.66mm(2.743")	79.16mm(3.117")	88.66mm(3.491")	98.16mm(3.865")
S	9.50mm(.374")	19.00mm(.748")	28.50mm(1.122")	38.00mm(1.496")	47.50mm(1.870")	57.00mm(2.244")	66.50mm(2.618")	76.00mm(2.992")	85.50mm(3.366")
Poles	11	12	13	14	15	16	17	18	19
L	107.66mm(4.239")	117.16mm(4.613")	126.66mm(4.987")	136.16mm(5.361")	145.66mm(5.734")	155.16mm(6.109")	164.66mm(6.483")	174.16mm(6.857")	183.66mm(7.230")
S	95.00mm(3.740")	104.50mm(4.114")	114.00mm(4.488")	123.50mm(4.862")	133.00mm(5.236")	142.50mm(5.610")	152.00mm(5.984")	161.50mm(6.358")	171.00mm(6.732")
Poles	20	21	22	23	24	25	26		
L	193.16mm(7.605")	202.66mm(7.979")	212.16mm(8.353")						
S	180.50mm(7.106")	190.00mm(7.480")	199.50mm(7.854")						

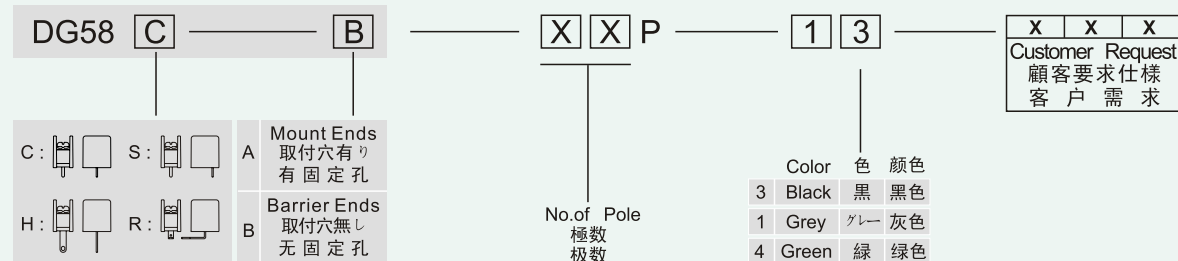


## DG58

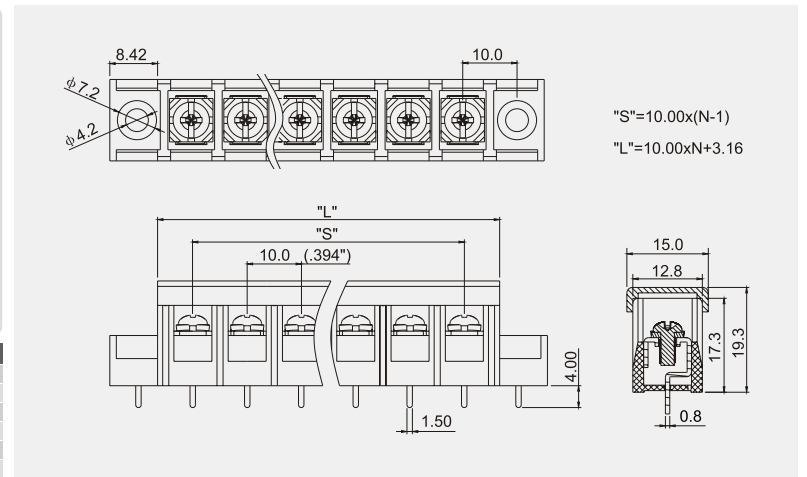
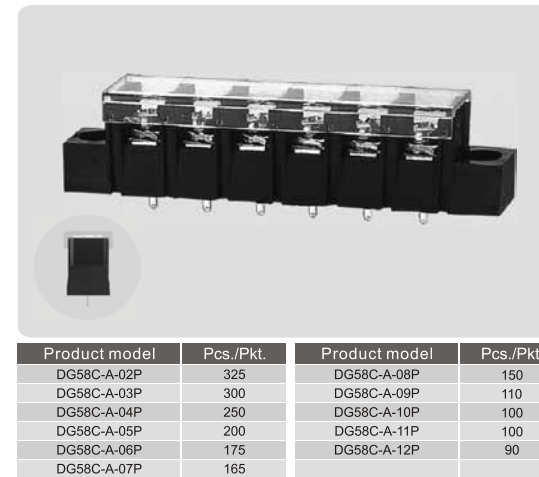


Electrical	電気性能	电气性能	UL1059 & CSA C22.2 NO.158		
Standard	安全規格	参考标准			
Use group	使用レベル	使用级别	<b>B</b>	<b>C</b>	<b>D</b>
Rated voltage	定格電圧	额定电压	300V	150V	300V
Rated current	定格電流	额定电流	20A	20A	10A
Wire range	電線径	导线线径	22-12AWG		
Ring/Fork terminals	丸型圧着端子 先開型圧着端子	预绝缘端子	0.5-2.5mm <sup>2</sup> /22-14AWG 0.5-2.5mm <sup>2</sup> /22-14AWG		
With standing voltage	耐電圧	耐电压	AC1600V/1Min		
Insulation Resistance	絶縁抵抗	绝缘阻抗	500MΩ/DC500V		
Mechanical	機械性能	机械性能			
Torque Value	ネジ締めトルク	锁紧扭力	1.2N.m (10.5Lb.In)		
Ambient temperature	環境温度	环境温度	-40°C~+105°C		
Stripping length	電線剥き長	剥线长度	9-10mm		
Dimensions	寸法	尺寸			
Pitch	ピッチ	间距	10.0mm (.394")		
Poles	極数	极数	DG□-A	2P-20P	
			DG□-B	2P-22P	
Material	材質及びメッキ	材质及电镀	PA66+23%GF, UL94V-0		
Housing	本体	塑件			
Terminal	導電板	端子	Copper alloy, 0.8t, Tin Plated	銅合金, 0.8厚, 錫メッキ	铜合金, 0.8厚, 镀锡
Screws	結線ビス	螺丝	Steel, M4, Ni Plated	鋼, M4, ニッケルメッキ	钢, M4, 镀镍
Other Data	他の情報	其他信息			
PCB Hole Diameter	PCB取付穴径	PCB板孔径	φ 1.9mm		

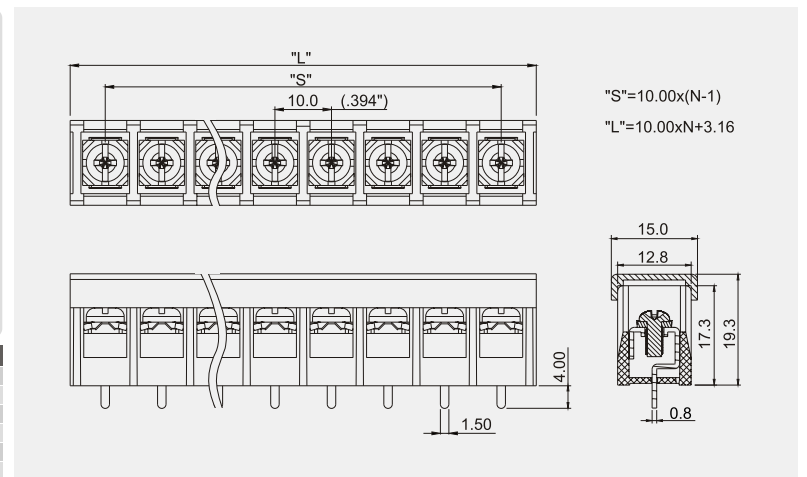
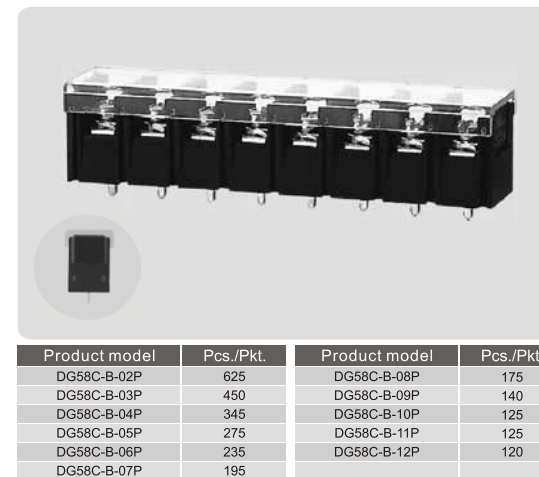
### HOW TO ORDER 製品型番 订货方法



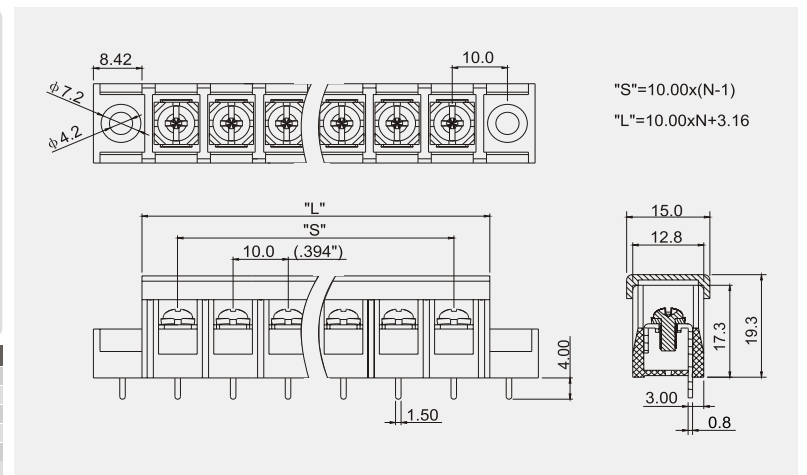
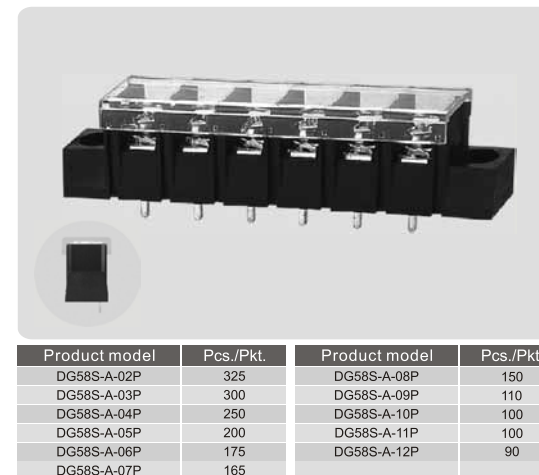
### DG58C-A



### DG58C-B



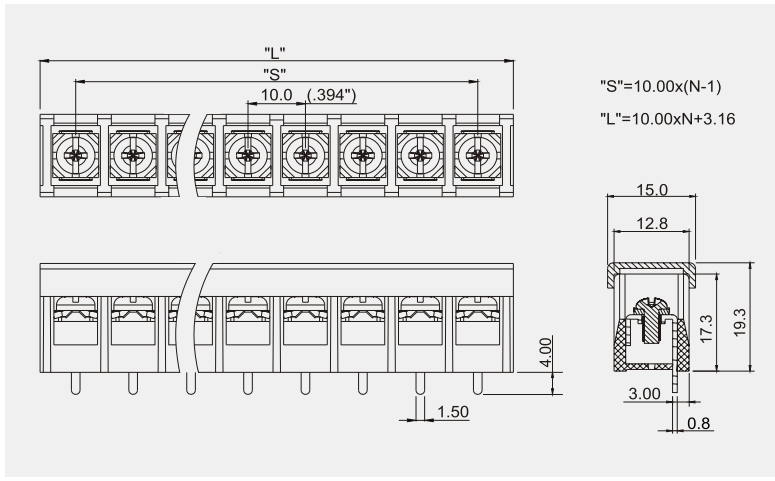
### DG58S-A



## DG58S-B



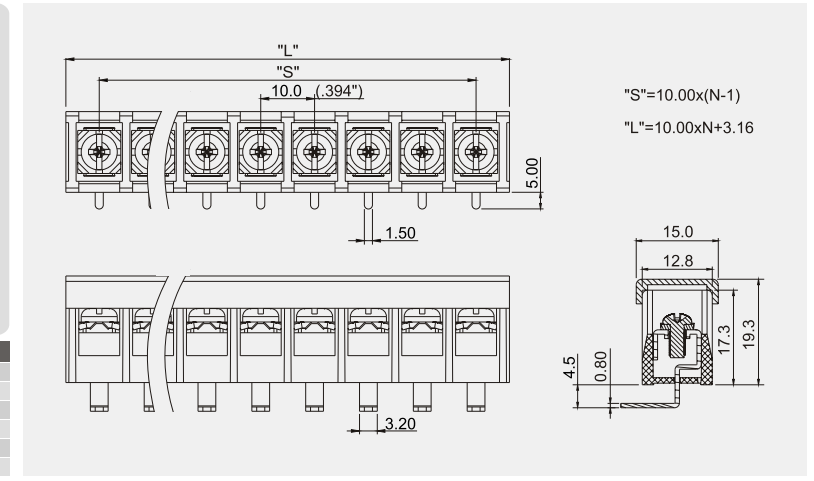
Product model	Pcs./Pkt.	Product model	Pcs./Pkt.
DG58S-B-02P	625	DG58S-B-08P	175
DG58S-B-03P	450	DG58S-B-09P	140
DG58S-B-04P	345	DG58S-B-10P	125
DG58S-B-05P	275	DG58S-B-11P	125
DG58S-B-06P	235	DG58S-B-12P	120
DG58S-B-07P	195		



## DG58R-B



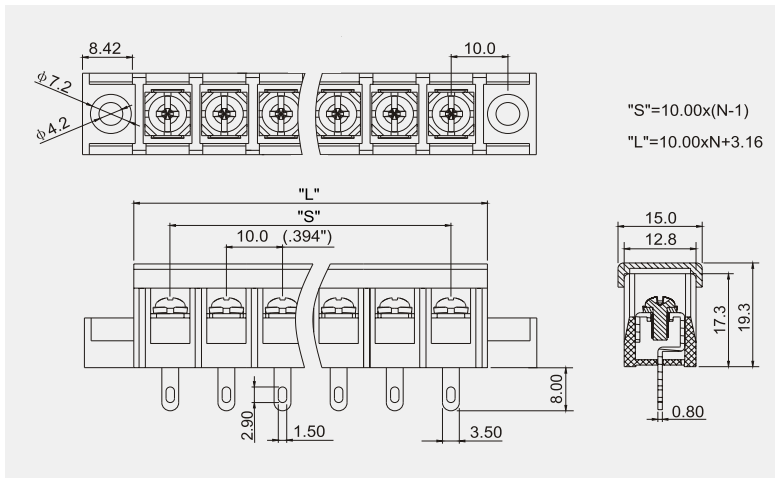
Product model	Pcs./Pkt.	Product model	Pcs./Pkt.
DG58R-B-02P	525	DG58R-B-08P	150
DG58R-B-03P	400	DG58R-B-09P	135
DG58R-B-04P	275	DG58R-B-10P	100
DG58R-B-05P	240	DG58R-B-11P	110
DG58R-B-06P	200	DG58R-B-12P	110
DG58R-B-07P	160		



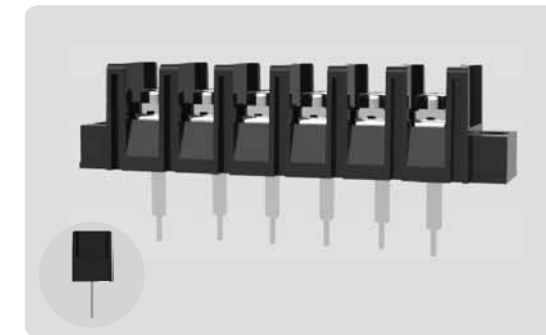
## DG58H-A



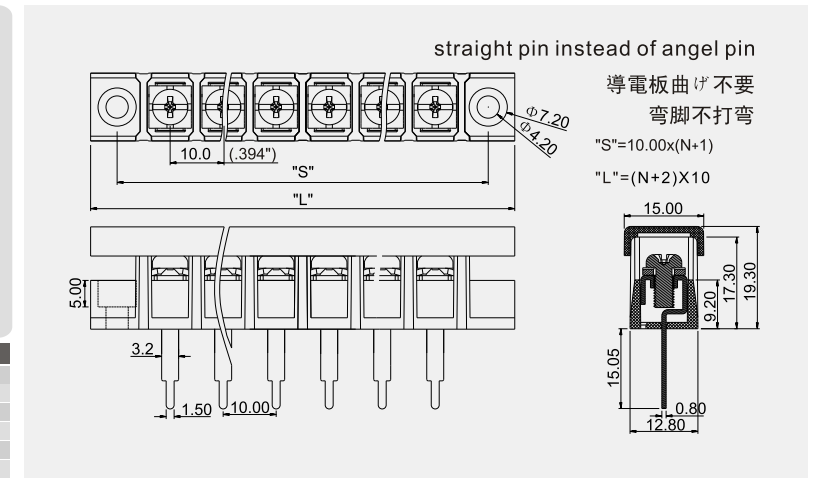
Product model	Pcs./Pkt.	Product model	Pcs./Pkt.
DG58H-A-02P	375	DG58H-A-08P	150
DG58H-A-03P	300	DG58H-A-09P	125
DG58H-A-04P	250	DG58H-A-10P	120
DG58H-A-05P	200	DG58H-A-11P	110
DG58H-A-06P	175	DG58H-A-12P	90
DG58H-A-07P	165		



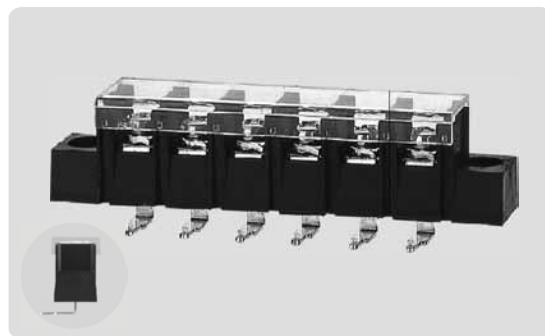
## DG58R-A-XXP-1Y-11AH



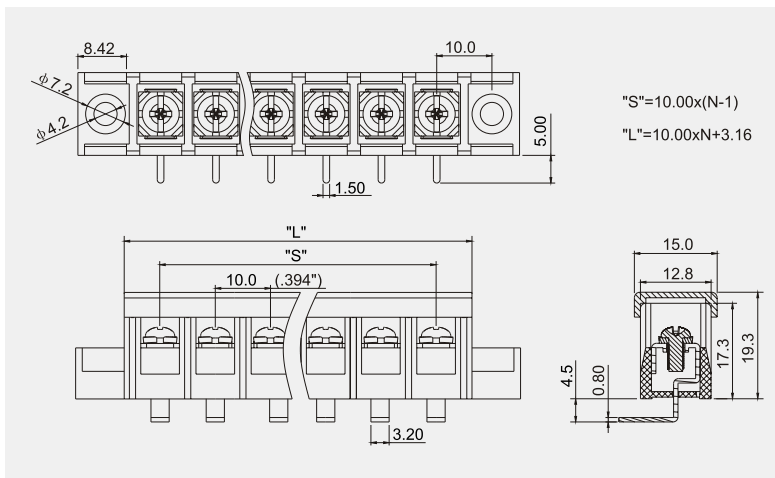
Product model	Pcs./Pkt.	Product model	Pcs./Pkt.
DG58R-A-02P-11AH	330	DG58R-A-08P-11AH	115
DG58R-A-03P-11AH	275	DG58R-A-09P-11AH	110
DG58R-A-04P-11AH	195	DG58R-A-10P-11AH	105
DG58R-A-05P-11AH	180	DG58R-A-11P-11AH	105
DG58R-A-06P-11AH	160	DG58R-A-12P-11AH	80
DG58R-A-07P-11AH	140		



## DG58R-A



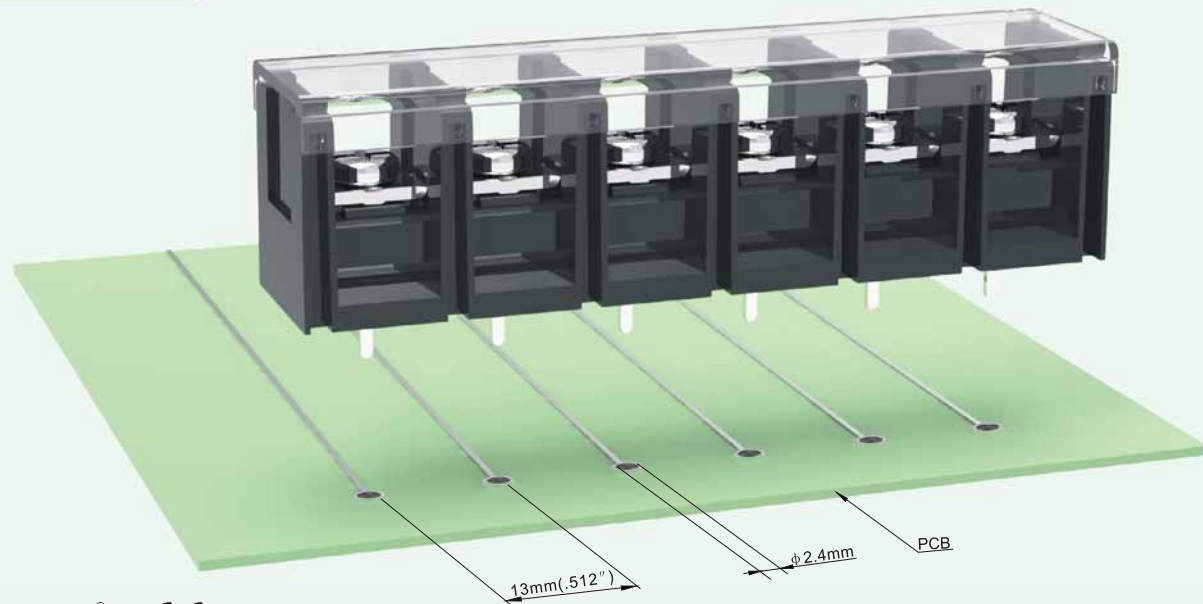
Product model	Pcs./Pkt.	Product model	Pcs./Pkt.
DG58R-A-02P	330	DG58R-A-08P	115
DG58R-A-03P	275	DG58R-A-09P	110
DG58R-A-04P	195	DG58R-A-10P	105
DG58R-A-05P	180	DG58R-A-11P	105
DG58R-A-06P	160	DG58R-A-12P	80
DG58R-A-07P	140		



Poles	2	3	4	5	6	7	8	9	10
L	23.16mm(912")	33.16mm(1.306")	43.16mm(1.699")	53.16mm(2.093")	63.16mm(2.487")	73.16mm(2.880")	83.16mm(3.274")	93.16mm(3.668")	103.16mm(4.061")
S	10.00mm(.394")	20.00mm(.787")	30.00mm(1.181")	40.00mm(1.575")	50.00mm(1.969")	60.00mm(2.362")	70.00mm(2.756")	80.00mm(3.150")	90.00mm(3.543")
Poles	11	12	13	14	15	16	17	18	19
L	113.16mm(4.455")	123.16mm(4.849")	133.16mm(5.243")	143.16mm(5.636")	153.16mm(6.030")	163.16mm(6.424")	173.16mm(6.817")	183.16mm(7.211")	193.16mm(7.605")
S	100.00mm(3.937")	110.00mm(4.331")	120.00mm(4.724")	130.00mm(5.118")	140.00mm(5.512")	150.00mm(5.906")	160.00mm(6.299")	170.00mm(6.693")	180.00mm(7.087")
Poles	20	21	22	23	24	25	26		
L	203.16mm(7.998")	213.16mm(8.392")	223.16mm(8.786")						
S	190.00mm(7.480")	200.00mm(7.874")	210.00mm(8.268")						



## DG78



Electrical	電気性能	电气性能	UL1059 & CSA C22.2 NO.158		
Standard	安全規格	参考标准			
Use group	使用レベル	使用级别	<b>B</b>	<b>C</b>	<b>D</b>
Rated voltage	定格電圧	额定电压	300V	300V	600V
Rated current	定格電流	额定电流	40A	40A	5A
Wire range	電線径	导线线径	18-10AWG		
Ring/Fork terminals	丸型圧着端子 先開型圧着端子	预绝缘端子	0.2-6.0mm <sup>2</sup> /18-10AWG 0.5-6.0mm <sup>2</sup> /18-10AWG		
With standing voltage	耐電圧	耐电压	AC1600V/1Min		
Insulation Resistance	絶縁抵抗	绝缘电阻	500MΩ/DC500V		
Mechanical	機械性能	机械性能			
Torque Value	ネジ締めトルク	锁紧扭力	1.2N.m (10.5Lb.In)		
Ambient temperature	環境温度	环境温度	-40°C~+105°C		
Stripping length	電線剥き長	剥线长度	10-11mm		
Dimensions	寸法	尺寸			
Pitch	ピッチ	间距	13.0mm (.512")		
Poles	極数	极数	DG□-A	2P-20P	
			DG□-B	2P-22P	
Material	材質及びメッキ	材质及电镀	PA66+23%GF, UL94V-0		
Housing	本体	塑件			
Terminal	導電板	端子	Copper alloy, 0.8t, Tin Plated	銅合金, 0.8厚, 錫メッキ	铜合金, 0.8厚, 镀锡
Screws	結線ビス	螺丝	Steel, M4, Ni Plated	鋼, M4, ニッケルメッキ	钢, M4, 镀锌
Other Data	他の情報	其他信息			
PCB Hole Diameter	PCB取付穴径	PCB板孔径	φ2.4mm		

### HOW TO ORDER 製品型番 订货方法

DG78 **C** ————— **B** ————— **X X P** ————— **1 3** ————— **X X X**

Customer Request 顧客要求仕様 客户需求

C: S: A: Mount Ends 取付穴有り 有固定孔

H: R: B: Barrier Ends 取付穴無し 无固定孔

No. of Pole 極数 极数

Color 色 颜色

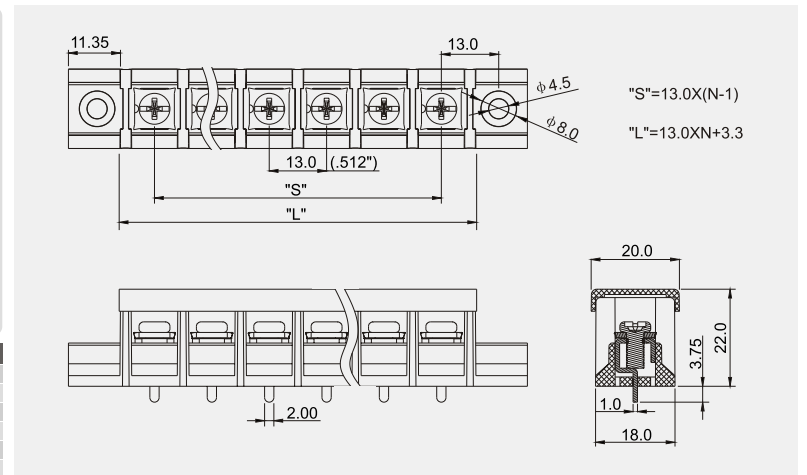
3 Black 黒 黑色

1 Grey グレー 灰色

4 Green 緑 绿色

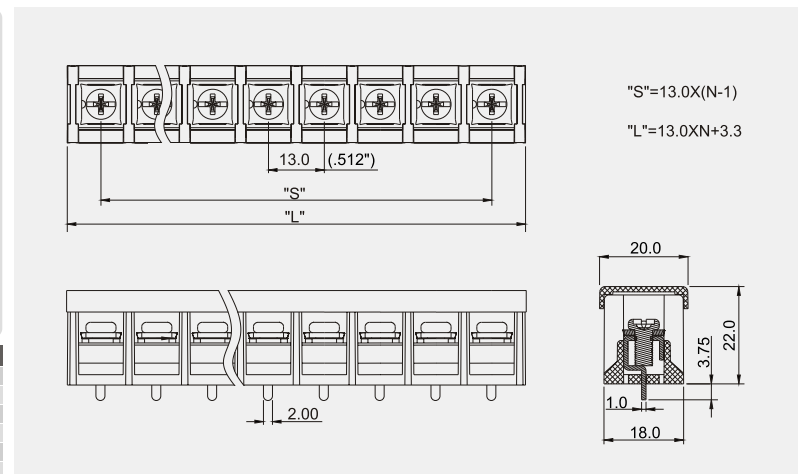
### DG78C-A

Product model	Pcs./Pkt.	Product model	Pcs./Pkt.
DG78C-A-02P	175	DG78C-A-08P	65
DG78C-A-03P	155	DG78C-A-09P	60
DG78C-A-04P	125	DG78C-A-10P	55
DG78C-A-05P	110	DG78C-A-11P	50
DG78C-A-06P	80	DG78C-A-12P	50
DG78C-A-07P	75		



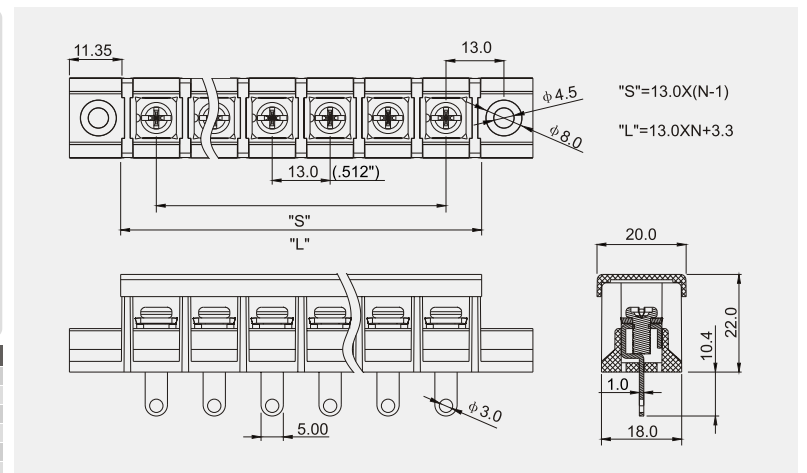
### DG78C-B

Product model	Pcs./Pkt.	Product model	Pcs./Pkt.
DG78C-B-02P	300	DG78C-B-08P	80
DG78C-B-03P	220	DG78C-B-09P	75
DG78C-B-04P	165	DG78C-B-10P	60
DG78C-B-05P	130	DG78C-B-11P	55
DG78C-B-06P	110	DG78C-B-12P	55
DG78C-B-07P	100		

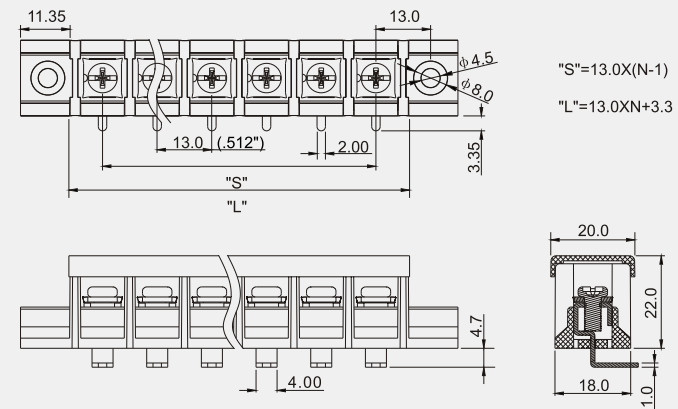


### DG78H-A

Product model	Pcs./Pkt.	Product model	Pcs./Pkt.
DG78H-A-02P	175	DG78H-A-08P	70
DG78H-A-03P	150	DG78H-A-09P	55
DG78H-A-04P	115	DG78H-A-10P	55
DG78H-A-05P	100	DG78H-A-11P	50
DG78H-A-06P	80	DG78H-A-12P	50
DG78H-A-07P	75		

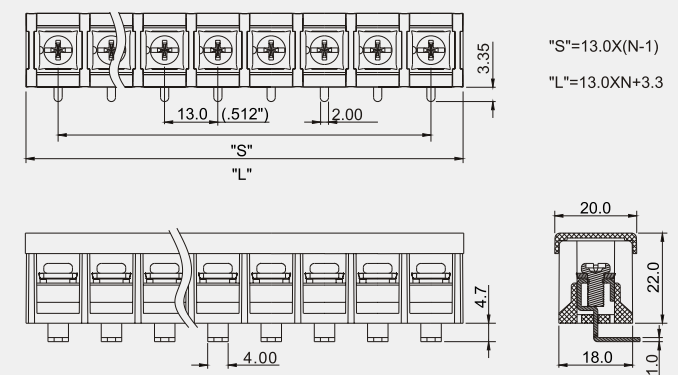


## DG78R-A



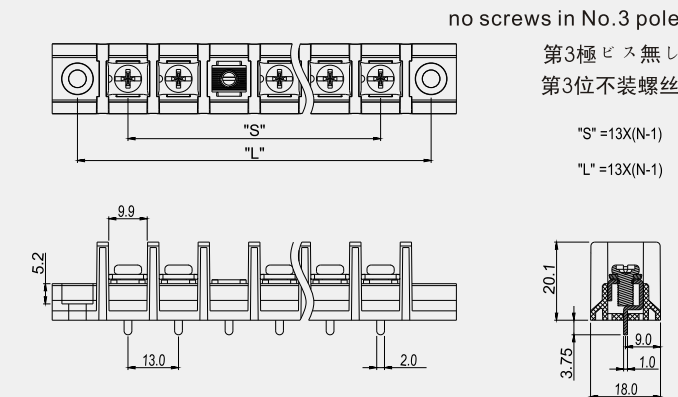
Product model	Pcs./Pkt.	Product model	Pcs./Pkt.
DG78R-A-02P	100	DG78R-A-08P	60
DG78R-A-03P	120	DG78R-A-09P	45
DG78R-A-04P	95	DG78R-A-10P	45
DG78R-A-05P	80	DG78R-A-11P	40
DG78R-A-06P	65	DG78R-A-12P	40
DG78R-A-07P	60		

## DG78R-B



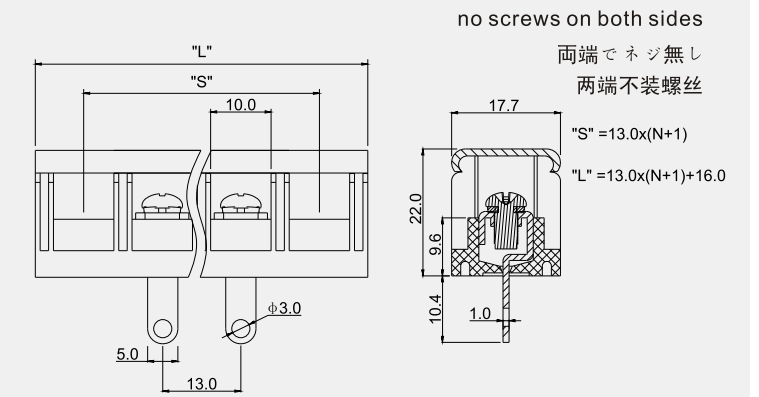
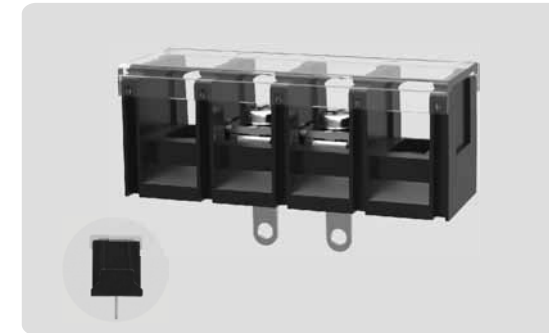
Product model	Pcs./Pkt.	Product model	Pcs./Pkt.
DG78R-B-02P	300	DG78R-B-08P	80
DG78R-B-03P	180	DG78R-B-09P	80
DG78R-B-04P	165	DG78R-B-10P	55
DG78R-B-05P	155	DG78R-B-11P	55
DG78R-B-06P	110	DG78R-B-12P	50
DG78R-B-07P	100		

## DG78C-A-XXP-1Y-09A



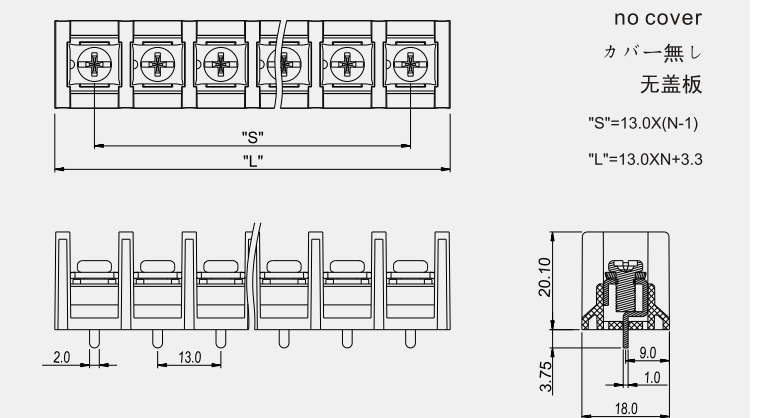
Product model	Pcs./Pkt.	Product model	Pcs./Pkt.
DG78C-A-02P-09AH	300	DG78C-A-08P-09AH	80
DG78C-A-03P-09AH	220	DG78C-A-09P-09AH	75
DG78C-A-04P-09AH	165	DG78C-A-10P-09AH	60
DG78C-A-05P-09AH	130	DG78C-A-11P-09AH	55
DG78C-A-06P-09AH	110	DG78C-A-12P-09AH	55
DG78C-A-07P-09AH	100		

## DG78H-XXP-1Y-08A



Product model	Pcs./Pkt.	Product model	Pcs./Pkt.
DG78H-02P	115	DG78H-08P	55
DG78H-03P	100	DG78H-09P	50
DG78H-04P	80	DG78H-10P	50
DG78H-05P	75		
DG78H-06P	70		
DG78H-07P	55		

## DG78C-B-XXP-1Y-08A

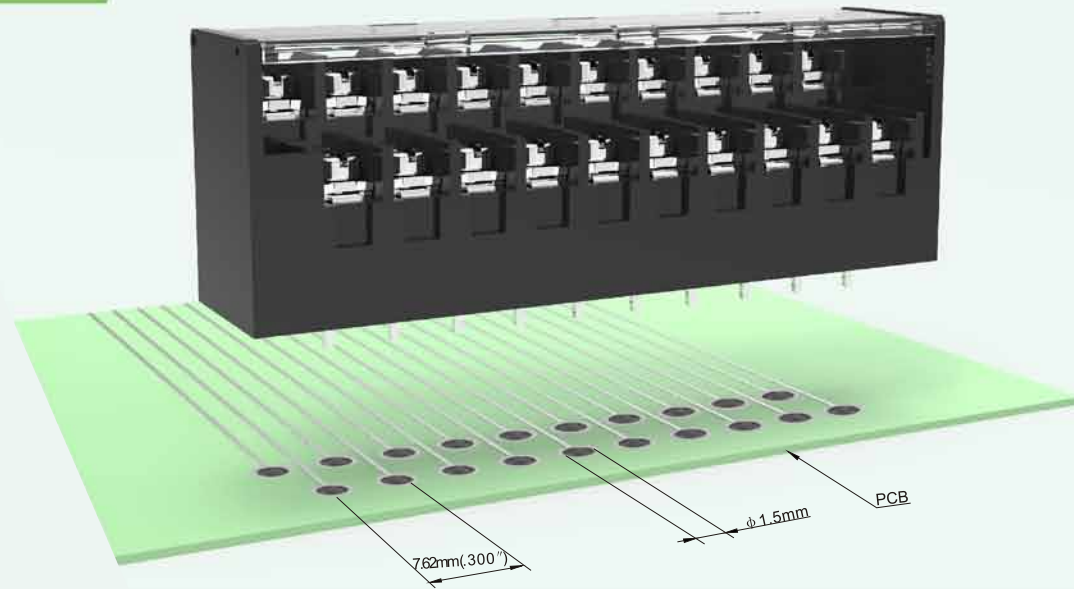


Product model	Pcs./Pkt.	Product model	Pcs./Pkt.
DG78C-B-02P-08AH	300	DG78C-B-08P-08AH	80
DG78C-B-03P-08AH	220	DG78C-B-09P-08AH	75
DG78C-B-04P-08AH	165	DG78C-B-10P-08AH	60
DG78C-B-05P-08AH	130	DG78C-B-11P-08AH	55
DG78C-B-06P-08AH	110	DG78C-B-12P-08AH	55
DG78C-B-07P-08AH	100		

Poles	2	3	4	5	6	7	8	9	10
L	29.30mm(1.154")	42.30mm(1.665")	55.30mm(2.177")	68.30mm(2.689")	81.30mm(3.201")	94.30mm(3.713")	107.30mm(4.224")	120.30mm(4.736")	133.30mm(5.248")
S	13.00mm(.512")	26.00mm(1.024")	39.00mm(1.535")	52.00mm(2.047")	65.00mm(2.559")	78.00mm(3.071")	91.00mm(3.583")	104.00mm(4.094")	117.00mm(4.606")
Poles	11	12	13	14	15	16	17	18	19
L	146.30mm(5.760")	159.30mm(6.272")	172.30mm(6.783")	185.30mm(7.295")	198.30mm(7.807")	211.30mm(8.319")	224.30mm(8.831")	237.30mm(9.343")	250.30mm(9.854")
S	130.00mm(5.118")	143.00mm(5.630")	156.00mm(6.142")	169.00mm(6.654")	182.00mm(7.165")	195.00mm(7.677")	208.00mm(8.189")	221.00mm(8.701")	234.00mm(9.213")
Poles	20	21	22	23	24	25	26		
L	263.3mm(10.366")								
S	247.00mm(9.724")								

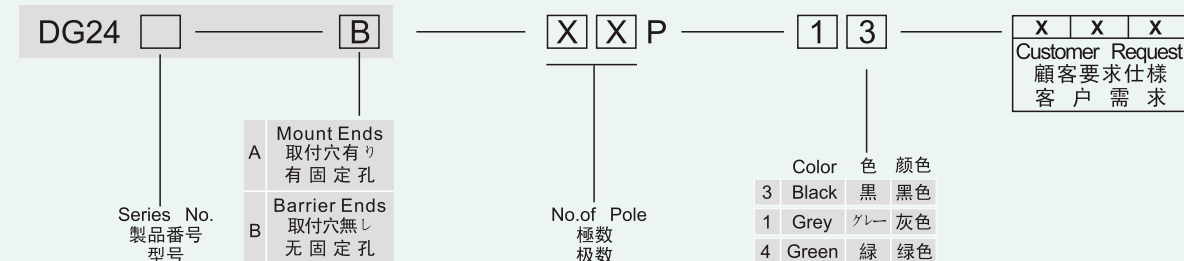


## DG24



Electrical	電気性能	电气性能	UL1059 & CSA C22.2 NO.158	
Standard	安全規格	参考标准		
Use group	使用レベル	使用级别	<b>B</b>	<b>C</b>
Rated voltage	定格電圧	额定电压	300V	300V
Rated current	定格電流	额定电流	15A	10A
Wire range	電線径	导线线径	22-14AWG	
Ring/Fork terminals	丸型圧着端子 先開型圧着端子	预绝缘端子	1.0-2.5mm <sup>2</sup> /16-14AWG	
With standing voltage	耐電圧	耐电压	AC1600V/1Min	
Insulation Resistance	絶縁抵抗	绝缘电阻	500MΩ/DC500V	
Mechanical	機械性能	机械性能		
Torque Value	ネジ締めトルク	锁紧扭力	0.5N.m (4.4Lb.In)	
Ambient temperature	环境温度	环境温度	-40°C~+105°C	
Stripping length	電線剥き長	剥线长度	7mm	
Dimensions	寸法	尺寸		
Pitch	ピッチ	间距	7.62mm (.300")	
Poles	極数	极数	DG 24-1/2	2*(3P-24P)
Material	材質及びメッキ	材质及电镀		
Housing	本体	塑件	PA66+23%GF, UL94V-0	
Terminal	導電板	端子	Copper alloy, 0.8t, Tin Plated	銅合金, 0.8厚, 錫メッキ 銅合金, 0.8厚, 鍍錫
Screws	結線ビス	螺丝	Steel, M4, Ni Plated	鋼, M4, ニッケルメッキ 鋼, M4, 鍍銀
Other Data	他の情報	其他信息		
PCB Hole Diameter	PCB取付孔径	PCB板孔径	φ1.5mm	

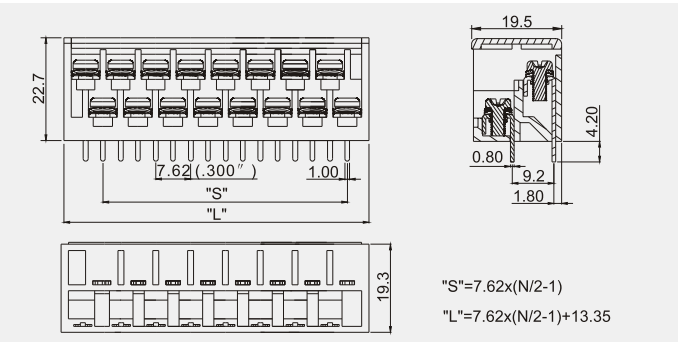
### HOW TO ORDER 製品型番 订货方法



### DG24-1-B



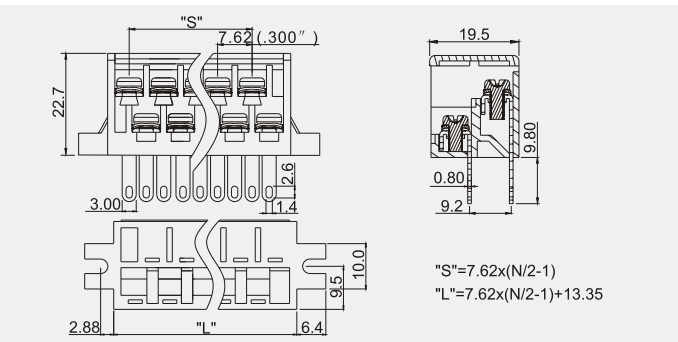
Product model	Pcs./Pkt.	Product model	Pcs./Pkt.
DG24-1-B-06P	250	DG24-1-B-18P	100
DG24-1-B-08P	210	DG24-1-B-20P	90
DG24-1-B-10P	170	DG24-1-B-22P	80
DG24-1-B-12P	150	DG24-1-B-24P	75
DG24-1-B-14P	125	DG24-1-B-26P	65
DG24-1-B-16P	100		



### DG24-2-A



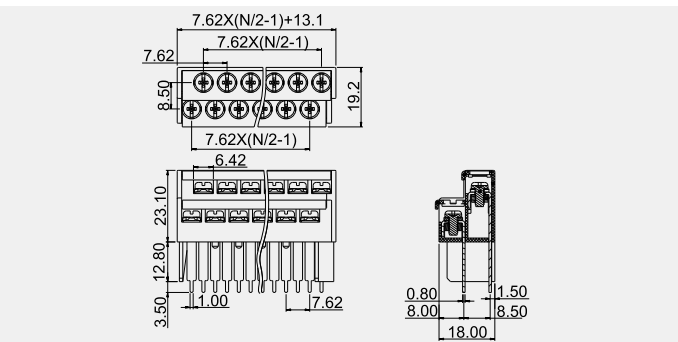
Product model	Pcs./Pkt.	Product model	Pcs./Pkt.
DG24-2-A-06P	165	DG24-2-A-18P	90
DG24-2-A-08P	150	DG24-2-A-20P	50
DG24-2-A-10P	135	DG24-2-A-22P	90
DG24-2-A-12P	120	DG24-2-A-24P	90
DG24-2-A-14P	100	DG24-2-A-26P	90
DG24-2-A-16P	60		



### DG24-4



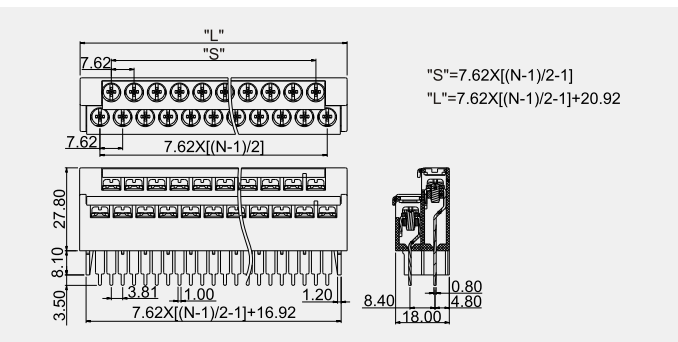
Product model	Pcs./Pkt.	Product model	Pcs./Pkt.
DG24-4-04P	135	DG24-4-16P	100
DG24-4-06P	130	DG24-4-18P	95
DG24-4-08P	125	DG24-4-20P	90
DG24-4-10P	120	DG24-4-22P	80
DG24-4-12P	115	DG24-4-24P	75
DG24-4-14P	110	DG24-4-26P	70



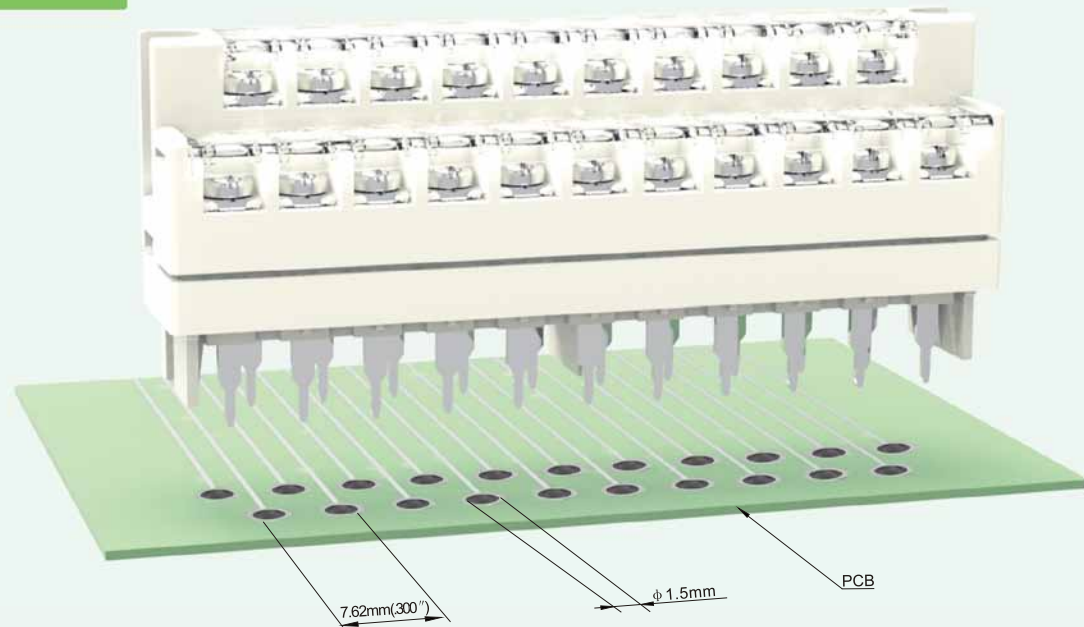
### DG24-5



Product model	Pcs./Pkt.	Product model	Pcs./Pkt.
DG24-5-04P	125	DG24-5-16P	85
DG24-5-06P	120	DG24-5-18P	75
DG24-5-08P	115	DG24-5-20P	70
DG24-5-10P	110	DG24-5-22P	65
DG24-5-12P	105	DG24-5-24P	60
DG24-5-14P	100	DG24-5-26P	50



## DG24B



CE

Electrical	電気性能	电气性能	UL1059 & CSA C22.2 NO.158		
Standard	安全規格	参考标准			
Use group	使用レベル	使用级别	<b>B</b>	<b>C</b>	<b>D</b>
Rated voltage	定格電圧	额定电压	300V	-	300V
Rated current	定格電流	额定电流	14A	-	10A
Wire range	電線径	导线线径	22-14AWG		
Ring/Fork terminals	丸型压着端子 先開型压着端子	预绝缘端子	1.0-2.5mm <sup>2</sup> /16-14AWG		
With standing voltage	耐電圧	耐电压	AC1600V/1Min		
Insulation Resistance	絶縁抵抗	绝缘阻抗	500MΩ/DC500V		

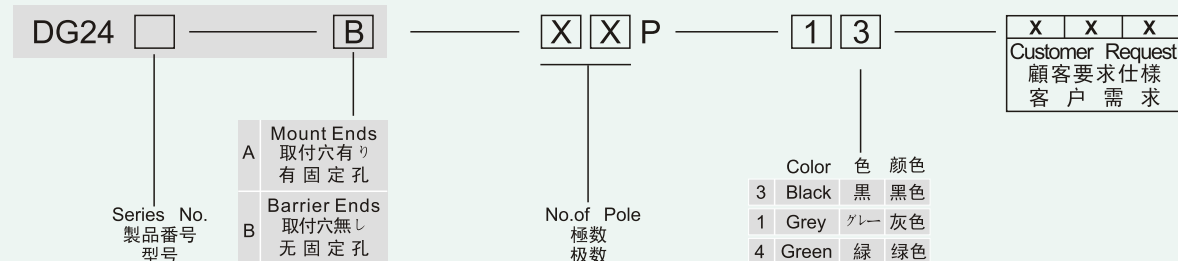
Mechanical	機械性能	机械性能	0.5N.m (4.4Lb.In)		
Torque Value	ネジ締めトルク	锁紧扭力			
Ambient temperature	環境温度	环境温度	-40°C~+105°C		
Stripping length	電線剥き長	剥线长度	7mm		

Dimensions	寸法	尺寸	7.62mm (.300")		
Pitch	ピッチ	间距			
Poles	極数	极数	DG 24-1/2	2*(3P-24P)	

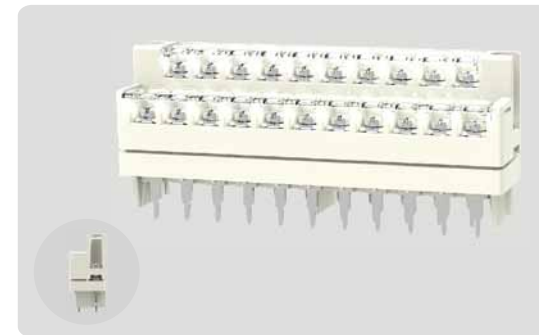
Material	材質及びメッキ	材质及电镀	PA66+25%GF, UL94V-0		
Housing	本体	塑件			
Terminal	導電板	端子	Copper alloy, 0.8t, Tin Plated	銅合金, 0.8厚, 錫メッキ	铜合金, 0.8厚, 镀锡
Screws	結線ビス	螺丝	Steel, M3, Ni Plated	鋼, M3, ニッケルメッキ	钢, M3, 镀锌

Other Data	他の情報	其他信息	φ 1.5mm		
PCB Hole Diameter	PCB取付穴径	PCB板孔径			

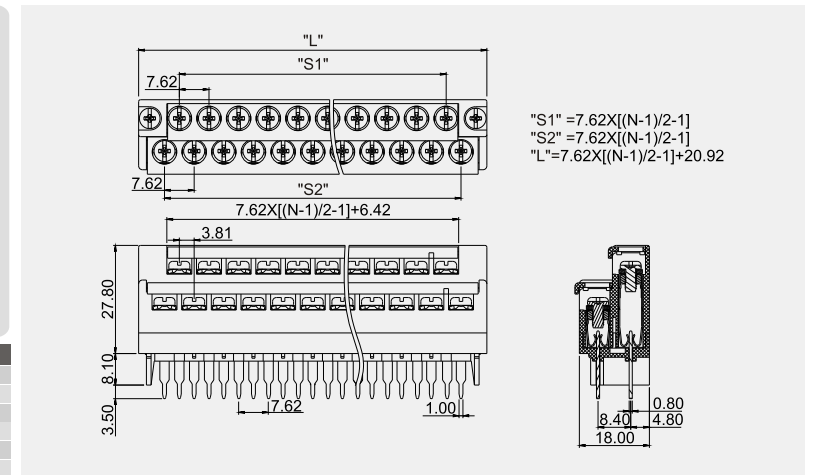
### HOW TO ORDER 製品型番 订货方法



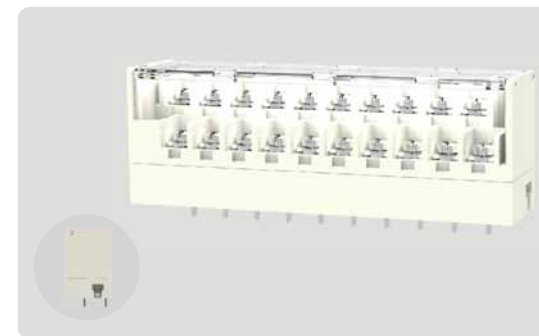
## DG24B-1



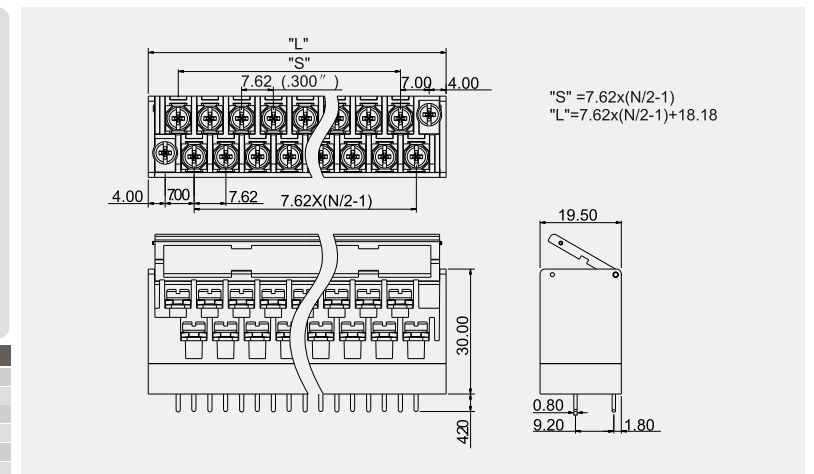
Product model	Pcs./Pkt.	Product model	Pcs./Pkt.
DG24B-1-04P	105	DG24B-1-16P	75
DG24B-1-06P	100	DG24B-1-18P	70
DG24B-1-08P	95	DG24B-1-20P	65
DG24B-1-10P	90	DG24B-1-22P	60
DG24B-1-12P	85	DG24B-1-24P	55
DG24B-1-14P	80	DG24B-1-26P	40



## DG24B-2



Product model	Pcs./Pkt.	Product model	Pcs./Pkt.
DG24B-1-04P	125	DG24B-1-16P	85
DG24B-1-06P	120	DG24B-1-18P	75
DG24B-1-08P	115	DG24B-1-20P	70
DG24B-1-10P	110	DG24B-1-22P	65
DG24B-1-12P	105	DG24B-1-24P	60
DG24B-1-14P	100	DG24B-1-26P	50

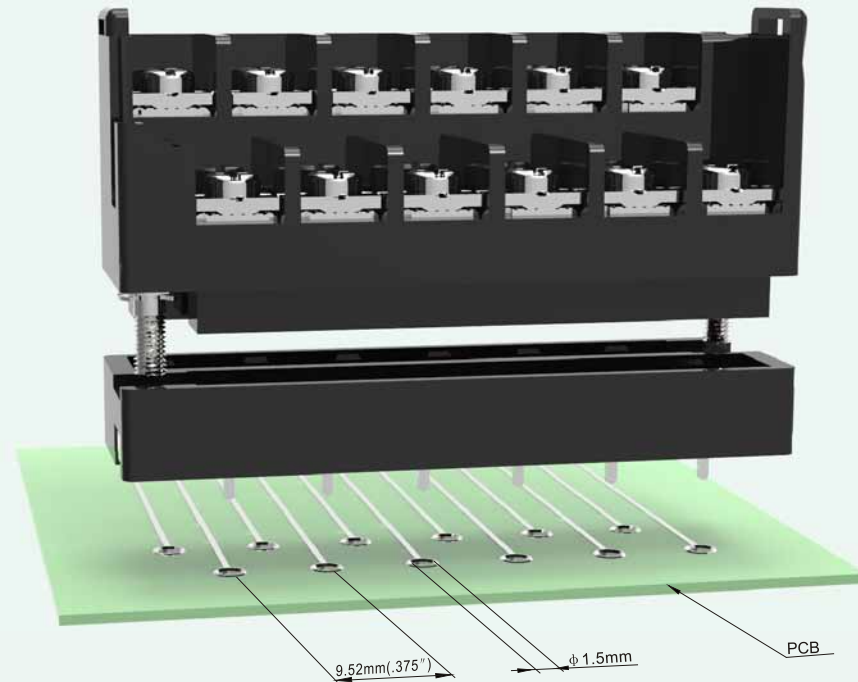


### 注：DG24长度尺寸表

Poles	4	6	8	10	12	14	15	16	18
L	20.97mm(8.26")	28.59mm(1.126")	36.21mm(1.426")	43.83mm(1.726")	51.45mm(2.026")	59.07mm(2.326")	62.88mm(2.476")	66.69mm(2.626")	74.31mm(2.926")
S	7.62mm(.300")	15.24mm(.600")	22.86mm(.900")	30.48mm(1.200")	38.10mm(1.500")	45.72mm(1.800")	49.53mm(1.950")	53.34mm(2.100")	60.69mm(2.389")
Poles	20	21	22	24	26	27	28	30	32
L	81.93mm(3.226")	93.36mm(3.676")	89.55mm(3.526")	97.17mm(3.826")	104.79mm(4.126")	116.22mm(4.576")	112.41mm(4.426")	120.03mm(4.726")	127.65mm(5.026")
S	68.58mm(2.700")	80.01mm(3.150")	76.20mm(3.000")	83.82mm(3.300")	91.44mm(3.600")	102.87mm(4.050")	99.06mm(3.900")	106.38mm(4.188")	114.30mm(4.500")
Poles	33	34	36	38	29	40	42	44	45
L	139.08mm(5.476")	135.27mm(5.326")	142.89mm(5.626")	150.51mm(5.926")	161.94mm(6.376")	158.13mm(6.226")	165.75mm(6.526")	173.37mm(6.826")	184.80mm(7.276")
S	125.73mm(4.950")	121.92mm(4.800")	129.54mm(5.100")	137.16mm(5.400")	148.59mm(5.850")	144.78mm(5.700")	152.40mm(6.000")	160.02mm(6.300")	171.45mm(6.750")
Poles	46	48	51	54	57	60	63	66	72
L	180.99mm(7.126")	188.61mm(7.426")	207.66mm(8.176")	219.09mm(8.626")	230.52mm(9.076")	241.95mm(9.526")	253.38mm(9.976")	264.81mm(10.426")	287.67mm(11.326")
S	167.64mm(6.600")	175.26mm(6.900")	194.31mm(7.650")	203.74mm(8.021")	217.17mm(8.550")	228.60mm(9.000")	240.03mm(9.450")	251.46mm(9.900")	274.32mm(10.800")

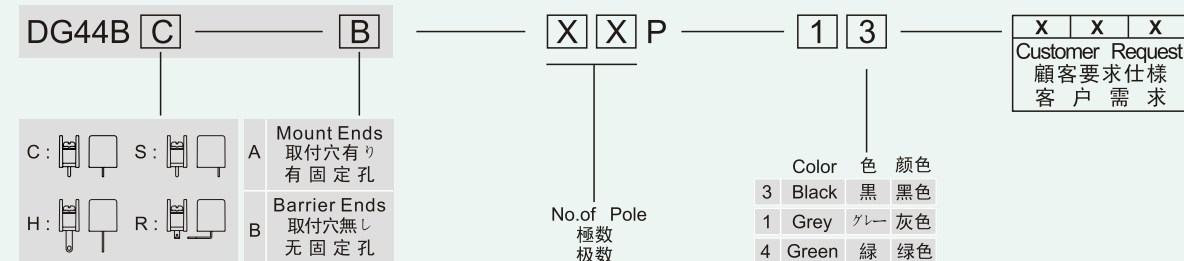


## DG44B

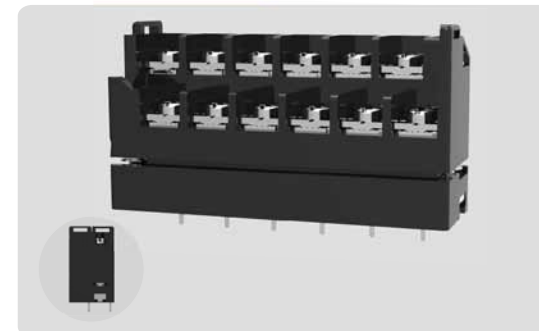


Electrical	電気性能	电气性能	UL1059 & CSA C22.2 NO.158		
Standard	安全規格	参考标准			
Use group	使用レベル	使用级别	<b>B</b>	<b>C</b>	<b>D</b>
Rated voltage	定格電圧	额定电压	300V	—	300V
Rated current	定格電流	额定电流	15A	—	10A
Wire range	電線径	导线线径	22-14AWG		
Ring/Fork terminals	<input type="checkbox"/> 丸型圧着端子 <input type="checkbox"/> 先開型圧着端子	<input type="checkbox"/> 预绝缘端子 <input type="checkbox"/> 预绝缘端子	<input type="checkbox"/> 0.5-2.5mm <sup>2</sup> /22-14AWG <input type="checkbox"/> 0.5-2.5mm <sup>2</sup> /22-14AWG		
With standing voltage	耐電圧	耐电压	AC1600V/1Min		
Insulation Resistance	絶縁抵抗	绝缘电阻	500MΩ/DC500V		
Mechanical	機械性能	机械性能			
Torque Value	ネジ締付トルク	锁紧扭力	0.8N.m (7.0Lb.In)		
Ambient temperature	環境温度	环境温度	-40°C~+105°C		
Stripping length	電線剥き長	剥线长度	7mm		
Dimensions	寸法	尺寸			
Pitch	ピッチ	间距	9.52mm(.375")		
Poles	極数	极数	2*(5P-18P)		
Material	材質及びメッキ	材质及电镀			
Housing	本体	塑件	PA66+23%GF, UL94V-0		
Terminal	導電板	端子	Copper alloy,0.8t, Tin Plated	銅合金,0.8厚,錫メッキ	銅合金,0.8厚,鍍錫
Screws	結線ビス	螺丝	Steel,M3.5,Ni Plated	鋼,M3.5,ニッケルメッキ	鋼,M3.5,鍍銀
Other Data	他の情報	其他信息			
PCB Hole Diameter	PCB取付穴径	PCB板孔径	φ1.5mm		

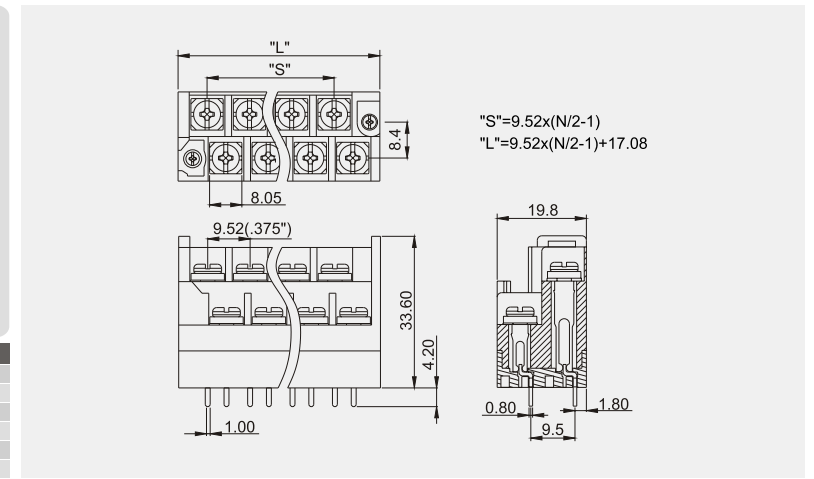
### HOW TO ORDER 製品型番 订货方法



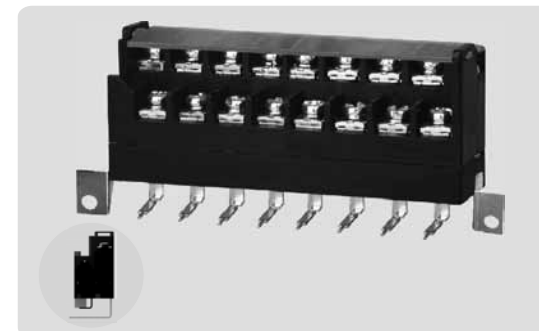
## DG44B-1-B



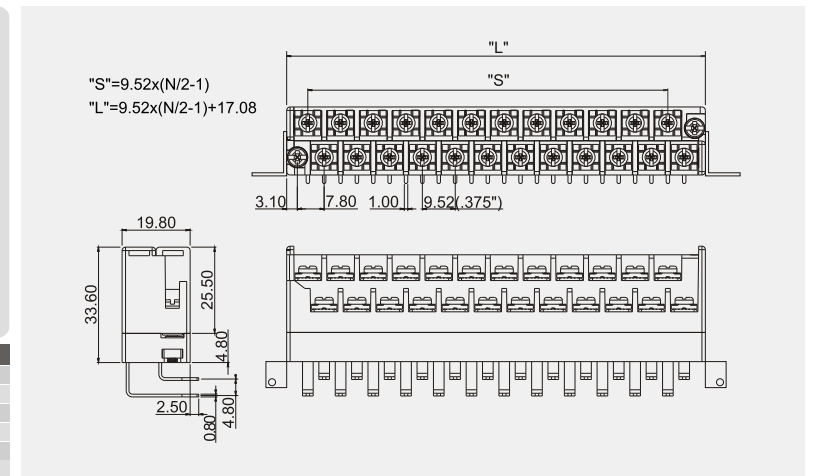
Product model	Pcs./Pkt.	Product model	Pcs./Pkt.
DG44B-1-B-04P	225	DG44B-1-B-18P	65
DG44B-1-B-08P	130	DG44B-1-B-20P	44
DG44B-1-B-10P	70	DG44B-1-B-24P	50
DG44B-1-B-12P	100	DG44B-1-B-26P	30
DG44B-1-B-14P	55	DG44B-1-B-28P	32
DG44B-1-B-16P	54		



## DG44B-2-A



Product model	Pcs./Pkt.	Product model	Pcs./Pkt.
DG44B-2-A-02P	—	DG44B-2-A-08P	—
DG44B-2-A-03P	—	DG44B-2-A-09P	—
DG44B-2-A-04P	—	DG44B-2-A-10P	—
DG44B-2-A-05P	—	DG44B-2-A-11P	—
DG44B-2-A-06P	—	DG44B-2-A-12P	—
DG44B-2-A-07P	—		



Poles	4	6	8	10	12	14	16	18	20
L	26.60mm(1.047")	36.12mm(1.422")	45.64mm(1.797")	55.16mm(1.172")	64.68mm(2.546")	74.20mm(2.921")	83.72mm(3.296")	93.24mm(3.671")	102.76mm(4.046")
S	9.52mm(.375")	19.04mm(.750")	28.56mm(1.124")	38.08mm(1.499")	47.60mm(1.874")	57.12mm(2.249")	66.64mm(2.624")	76.16mm(2.998")	85.68mm(3.373")
Poles	22	24	26	28	30	32	34	36	
L	112.28mm(4.420")	121.80mm(4.795")	131.32mm(5.170")	140.84mm(5.545")	150.36mm(5.920")	159.88mm(6.294")	169.40mm(6.669")	178.92mm(7.044")	
S	95.20mm(3.748")	104.72mm(4.123")	114.24mm(4.498")	123.76mm(4.872")	133.28mm(5.247")	142.80mm(5.622")	152.32mm(5.997")	161.84mm(6.372")	

## DG49-A

Product model	Pcs./Pkt.	Product model	Pcs./Pkt.
DG49-A-02P	475	DG49-A-08P	180
DG49-A-03P	375	DG49-A-09P	155
DG49-A-04P	300	DG49-A-10P	150
DG49-A-05P	275	DG49-A-11P	135
DG49-A-06P	225	DG49-A-12P	135
DG49-A-07P	200		

## DG69-A

Product model	Pcs./Pkt.	Product model	Pcs./Pkt.
DG69-A-02P	300	DG69-A-08P	105
DG69-A-03P	250	DG69-A-09P	105
DG69-A-04P	200	DG69-A-10P	100
DG69-A-05P	170	DG69-A-11P	75
DG69-A-06P	155	DG69-A-12P	75
DG69-A-07P	130		

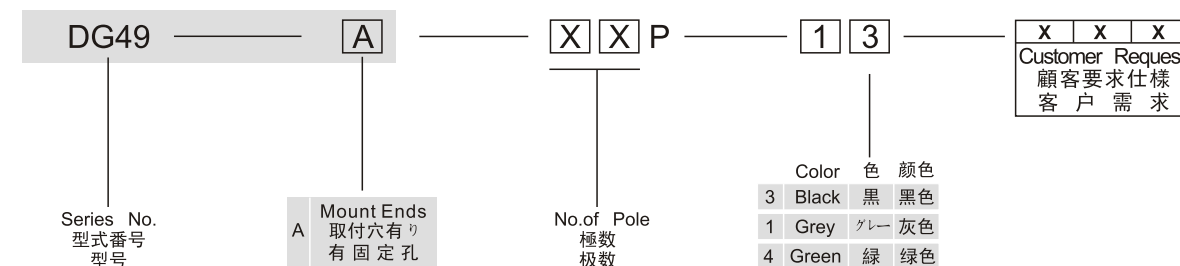


Electrical	電気性能	电气性能	UL1059 & CSA C22.2 NO.158		
Standard	安全規格	参考标准	UL1059 & CSA C22.2 NO.158		
Use group	使用レベル	使用级别	<b>B</b>	<b>C</b>	<b>D</b>
Rated voltage	定格電圧	额定电压	300V	150V	300V
Rated current	定格電流	额定电流	20A	20A	10A
Wire range	電線径	导线线径	22-12AWG		
Ring/Fork terminals	丸型圧着端子 先開型圧着端子	预绝缘端子	0.5-2.5mm <sup>2</sup> /22-14AWG 0.5-2.5mm <sup>2</sup> /22-14AWG		
With standing voltage	耐電圧	耐电压	AC1600V/1Min		
Insulation Resistance	絶縁抵抗	绝缘阻抗	500MΩ/DC500V		
Mechanical	機械性能	机械性能			
Torque Value	ネジ締付トルク	锁紧扭力	0.8N.m (7.0Lb.In)		
Ambient temperature	環境温度	环境温度	-40°C~+120°C		
Stripping length	電線剥き長	剥线长度	8-9mm		
Dimensions	寸法	尺寸			
Pitch	ピッチ	间距	9.5mm (.374")		
Poles	極数	极数	2P-26P		
Material	材質及びメッキ	材质及电镀	PC, UL94V-0		
Housing	本体	塑件	PC, UL94V-0		
Terminal	導電板	端子	Copper alloy, 0.8t, Tin Plated	銅合金, 0.8厚, 錫メッキ	铜合金, 0.8厚, 镀锡
Screws	結線ビス	螺丝	Steel, M3.5, Ni Plated	鋼, M3.5, ニッケルメッキ	钢, M3.5, 镀镍
Other Data	他の情報	其他信息			
PCB Hole Diameter	PCB取付穴径	PCB板孔径	φ4.5mm		

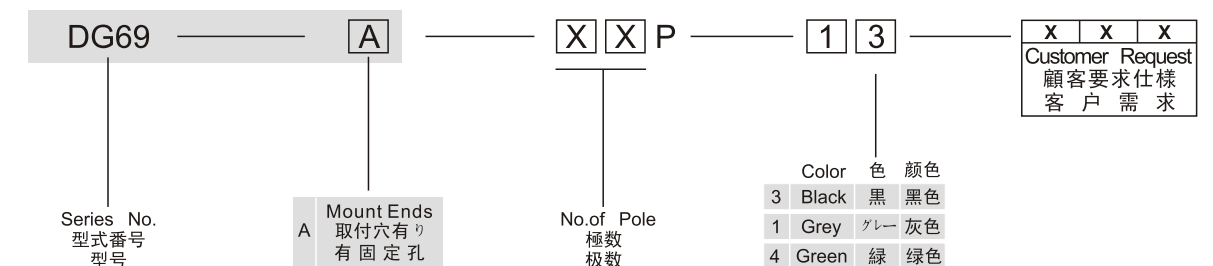


Electrical	電気性能	电气性能	UL1059 & CSA C22.2 NO.158		
Standard	安全規格	参考标准	UL1059 & CSA C22.2 NO.158		
Use group	使用レベル	使用级别	<b>B</b>	<b>C</b>	<b>D</b>
Rated voltage	定格電圧	额定电压	300V	300V	300V
Rated current	定格電流	额定电流	25A	25A	10A
Wire range	電線径	导线线径	22-12AWG		
Ring/Fork terminals	丸型圧着端子 先開型圧着端子	预绝缘端子	0.5-2.5mm <sup>2</sup> /22-14AWG 0.5-4.0mm <sup>2</sup> /22-12AWG		
With standing voltage	耐電圧	耐电压	AC1600V/1Min		
Insulation Resistance	絶縁抵抗	绝缘阻抗	500MΩ/DC500V		
Mechanical	機械性能	机械性能			
Torque Value	ネジ締付トルク	锁紧扭力	0.8N.m (7.0Lb.In)		
Ambient temperature	環境温度	环境温度	-40°C~+120°C		
Stripping length	電線剥き長	剥线长度	9-10mm		
Dimensions	寸法	尺寸			
Pitch	ピッチ	间距	11.0mm (.433")		
Poles	極数	极数	2P-18P		
Material	材質及びメッキ	材质及电镀	PC, UL94V-2		
Housing	本体	塑件	PC, UL94V-2		
Terminal	導電板	端子	Copper alloy, 0.8t, Tin Plated	銅合金, 0.8厚, 錫メッキ	铜合金, 0.8厚, 镀锡
Screws	結線ビス	螺丝	Steel, M3.5, Ni Plated	鋼, M3.5, ニッケルメッキ	钢, M3.5, 镀镍
Other Data	他の情報	其他信息			
PCB Hole Diameter	PCB取付穴径	PCB板孔径	φ5.0mm		

### HOW TO ORDER 製品型番 订货方法

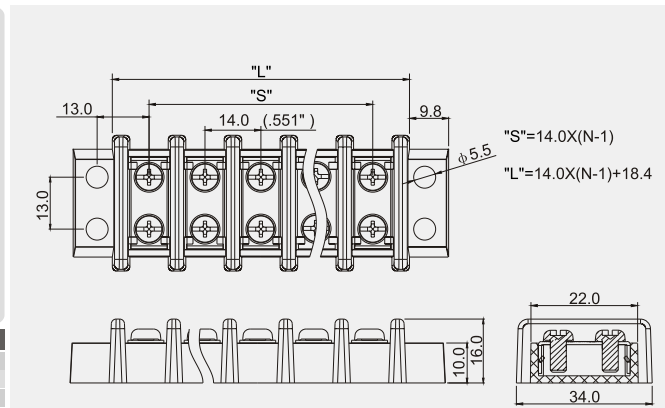


### HOW TO ORDER 製品型番 订货方法



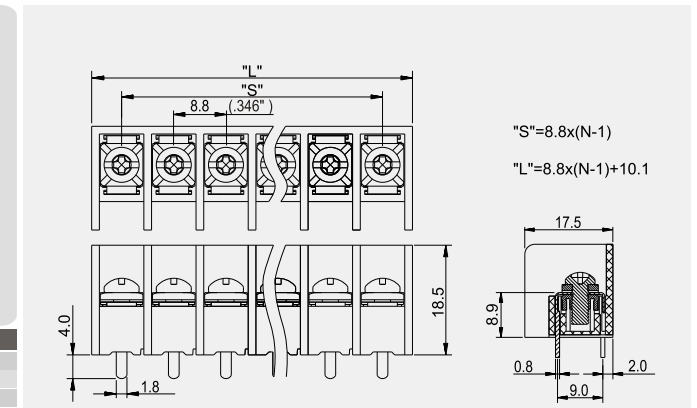
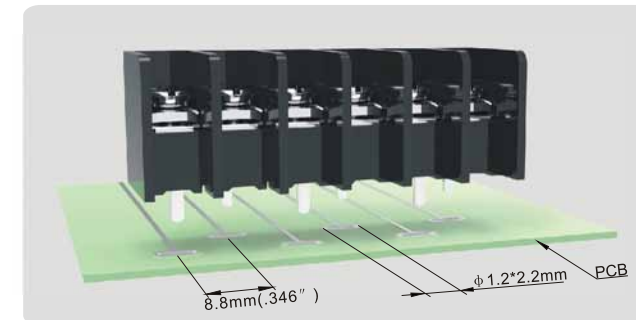


## DG89-A



Product model	Pcs./Pkt.	Product model	Pcs./Pkt.
DG89-A-02P	180	DG89-A-08P	60
DG89-A-03P	140	DG89-A-09P	55
DG89-A-04P	110	DG89-A-10P	50
DG89-A-05P	95	DG89-A-11P	50
DG89-A-06P	75	DG89-A-12P	45
DG89-A-07P	75		

## DG46-DA/DB

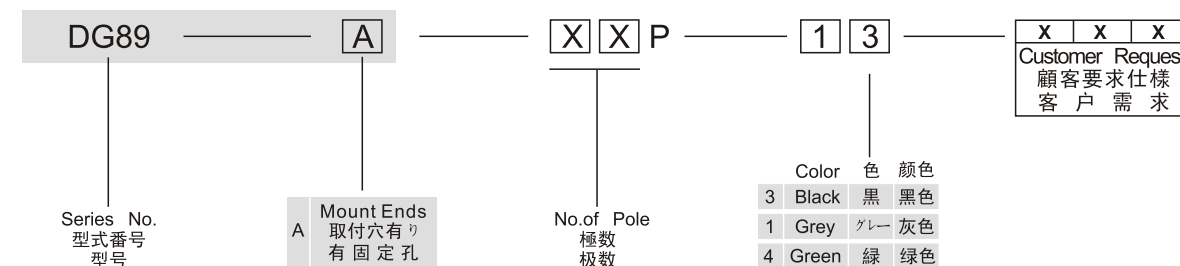


Product model	Pcs./Pkt.	Product model	Pcs./Pkt.
DG46-DA/DB-02P	300	DG46-DA/DB-08P	170
DG46-DA/DB-03P	450	DG46-DA/DB-09P	150
DG46-DA/DB-04P	350	DG46-DA/DB-10P	140
DG46-DA/DB-05P	270	DG46-DA/DB-11P	130
DG46-DA/DB-06P	230	DG46-DA/DB-12P	110
DG46-DA/DB-07P	200		



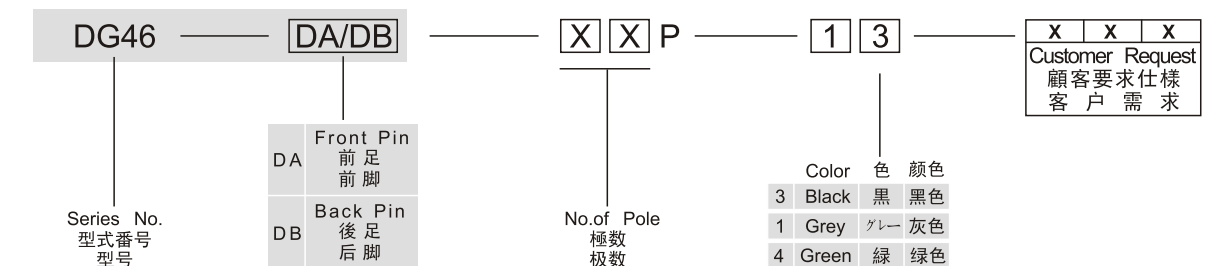
Electrical	電気性能	电气性能	UL1059 & CSA C22.2 NO.158		
Standard	安全規格	参考标准	UL1059 & CSA C22.2 NO.158		
Use group	使用レベル	使用级别	<b>B</b>	<b>C</b>	<b>D</b>
Rated voltage	定格電圧	额定电压	300V	300V	600V
Rated current	定格電流	额定电流	30A	30A	5A
Wire range	電線径	导线线径	22-10AWG		
Ring/Fork terminals	丸型圧着端子 先開型圧着端子	预绝缘端子	0.2-6.0mm <sup>2</sup> /22-10AWG 0.5-6.0mm <sup>2</sup> /22-10AWG		
With standing voltage	耐電圧	耐电压	AC1600V/1Min		
Insulation Resistance	絶縁阻抗	绝缘阻抗	500MΩ/DC500V		
Mechanical	機械性能	机械性能	1.2N.m (10.5Lb.In)		
Torque Value	ネジ締付トルク	锁紧扭力	1.2N.m (10.5Lb.In)		
Ambient temperature	環境温度	环境温度	-40°C~+120°C		
Stripping length	電線剥き長	剥线长度	10-11mm		
Dimensions	寸法	尺寸	14.0mm (.551")		
Pitch	ピッチ	间距	14.0mm (.551")		
Poles	極数	极数	2P-18P		
Material	材質及びメッキ	材质及电镀	PC, UL94V-2		
Housing	本体	塑件	PC, UL94V-2		
Terminal	導電板	端子	Copper alloy, 0.8t, Tin Plated	銅合金, 0.8厚, 錫メッキ	铜合金, 0.8厚, 镀锡
Screws	結線ビス	螺丝	Steel, M4, Ni Plated	鋼, M4, ニッケルメッキ	钢, M4, 镀镍
Other Data	他の情報	其他信息	φ6.0mm		
PCB Hole Diameter	PCB取付孔径	PCB板孔径	φ6.0mm		

### HOW TO ORDER 製品型番 订货方法

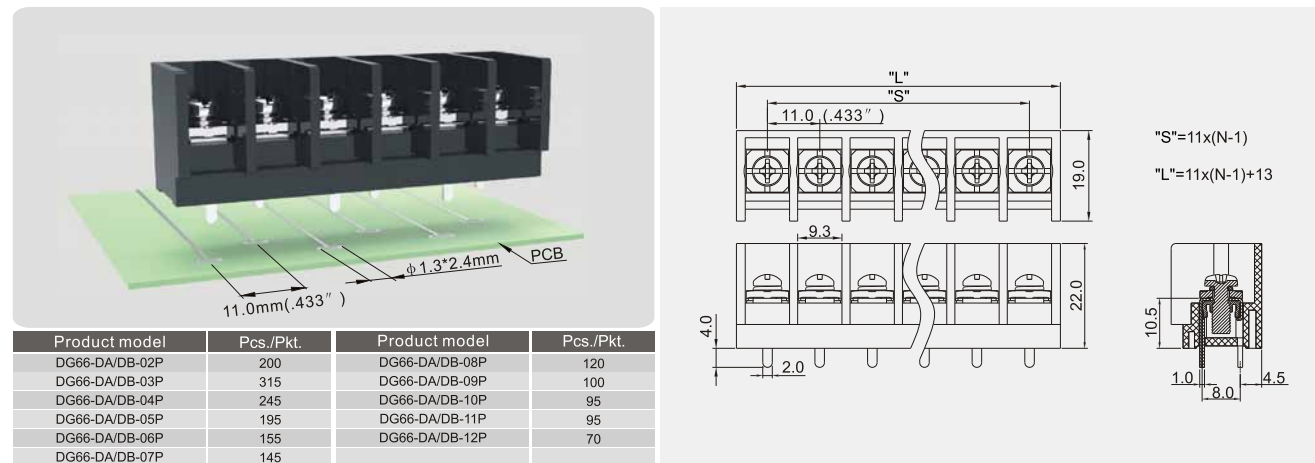


Electrical	電気性能	电气性能	UL1059 & CSA C22.2 NO.158		
Standard	安全規格	参考标准	UL1059 & CSA C22.2 NO.158		
Use group	使用レベル	使用级别	<b>B</b>	<b>C</b>	<b>D</b>
Rated voltage	定格電圧	额定电压	600V	600V	600V
Rated current	定格電流	额定电流	20A	20A	5A
Wire range	電線径	导线线径	24-12AWG		
Ring/Fork terminals	丸型圧着端子 先開型圧着端子	预绝缘端子	0.5-2.5mm <sup>2</sup> /22-14AWG 0.5-2.5mm <sup>2</sup> /22-14AWG		
With standing voltage	耐電圧	耐电压	AC2200V/1Min		
Insulation Resistance	絶縁阻抗	绝缘阻抗	500MΩ/DC500V		
Mechanical	機械性能	机械性能	0.8N.m (7.0Lb.In)		
Torque Value	ネジ締付トルク	锁紧扭力	0.8N.m (7.0Lb.In)		
Ambient temperature	環境温度	环境温度	-40°C~+105°C		
Stripping length	電線剥き長	剥线长度	7-8mm		
Dimensions	寸法	尺寸	8.8mm (.346")		
Pitch	ピッチ	间距	8.8mm (.346")		
Poles	極数	极数	2P-24P		
Material	材質及びメッキ	材质及电镀	PA66, UL94V-0		
Housing	本体	塑件	PA66, UL94V-0		
Terminal	導電板	端子	Copper, 0.8t, Tin Plated	赤銅, 0.8厚, 錫メッキ	紫铜, 0.8厚, 镀锡
Screws	結線ビス	螺丝	Steel, M3.5, Ni Plated	鋼, M3.5, ニッケルメッキ	钢, M3.5, 镀镍
Other Data	他の情報	其他信息	φ1.2*2.2mm		
PCB Hole Diameter	PCB取付孔径	PCB板孔径	φ1.2*2.2mm		

### HOW TO ORDER 製品型番 订货方法

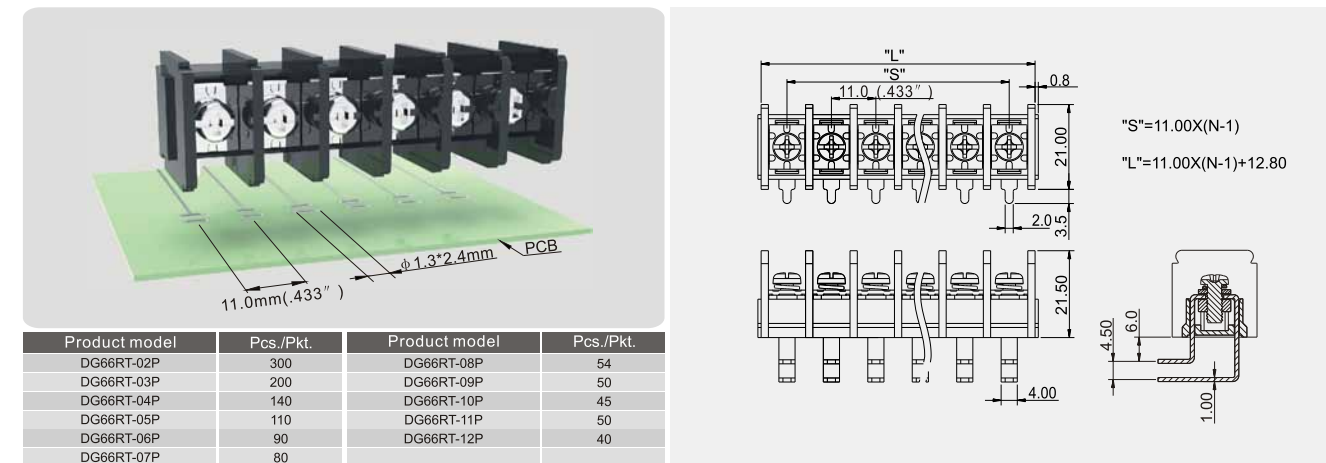


## DG66-DA/DB



Product model	Pcs./Pkt.	Product model	Pcs./Pkt.
DG66-DA/DB-02P	200	DG66-DA/DB-08P	120
DG66-DA/DB-03P	315	DG66-DA/DB-09P	100
DG66-DA/DB-04P	245	DG66-DA/DB-10P	95
DG66-DA/DB-05P	195	DG66-DA/DB-11P	95
DG66-DA/DB-06P	155	DG66-DA/DB-12P	70
DG66-DA/DB-07P	145		

## DG66RT

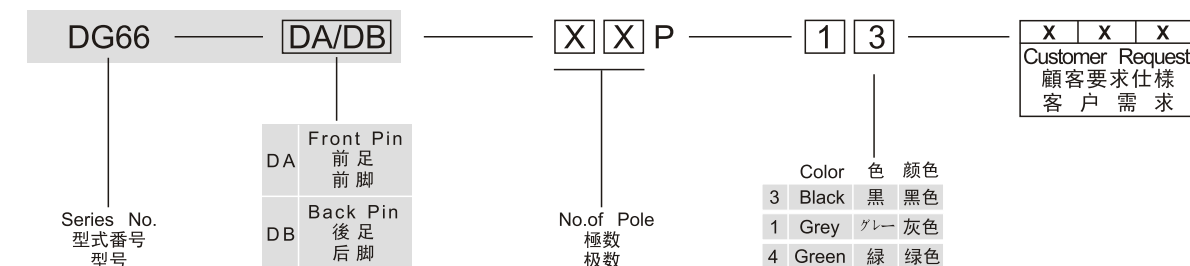


Product model	Pcs./Pkt.	Product model	Pcs./Pkt.
DG66RT-02P	300	DG66RT-08P	54
DG66RT-03P	200	DG66RT-09P	50
DG66RT-04P	140	DG66RT-10P	45
DG66RT-05P	110	DG66RT-11P	50
DG66RT-06P	90	DG66RT-12P	40
DG66RT-07P	80		



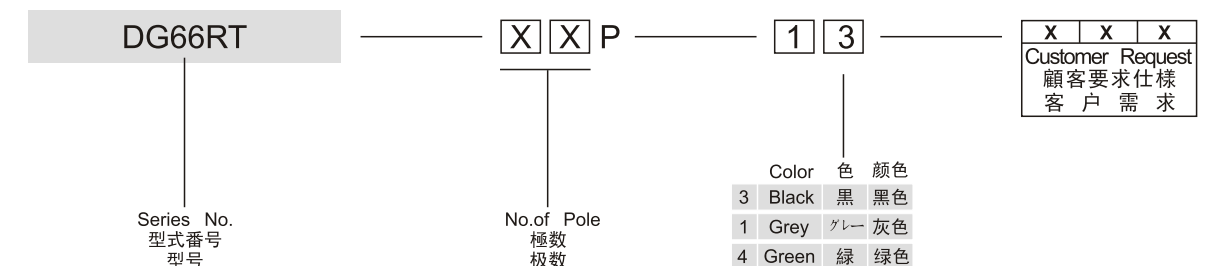
Electrical	電気性能	电气性能	UL1059 & CSA C22.2 NO.158		
Standard	安全規格	参考标准	UL1059 & CSA C22.2 NO.158		
Use group	使用レベル	使用级别	<b>B</b>	<b>C</b>	<b>D</b>
Rated voltage	定格電圧	额定电压	600V	600V	600V
Rated current	定格電流	额定电流	30A	30A	5A
Wire range	電線径	导线线径	22-10AWG		
Ring/Fork terminals	丸型圧着端子 先開型圧着端子	预绝缘端子 预绝缘端子	0.2-2.5mm <sup>2</sup> /22-14AWG 0.2-4.0mm <sup>2</sup> /22-10AWG		
With standing voltage	耐電圧	耐电压	AC2200V/1Min		
Insulation Resistance	絶縁抵抗	绝缘阻抗	500MΩ/DC500V		
Mechanical	機械性能	机械性能	1.2N.m (10.5Lb.In)		
Torque Value	ネジ締めトルク	锁紧扭力	1.2N.m (10.5Lb.In)		
Ambient temperature	環境温度	环境温度	-40°C~+105°C		
Stripping length	電線剥き長	剥线长度	8-9mm		
Dimensions	寸法	尺寸	11.0mm(.433")		
Pitch	ピッチ	间距	11.0mm(.433")		
Poles	極数	极数	2P-25P		
Material	材質及びメッキ	材质及电镀	PA66, UL94V-0		
Housing	本体	塑件	PA66, UL94V-0		
Terminal	導電板	端子	Copper, 1.0t, Tin Plated	赤銅, 1.0厚, 錫メッキ	紫銅, 1.0厚, 鍍錫
Screws	結線ビス	螺丝	Steel, M4, Ni Plated	鋼, M4, ニッケルメッキ	鋼, M4, 鍍銀
Other Data	他の情報	其他信息	φ 1.3*2.4mm		
PCB Hole Diameter	PCB取付穴径	PCB板孔径	φ 1.3*2.4mm		

### HOW TO ORDER 製品型番 订货方法



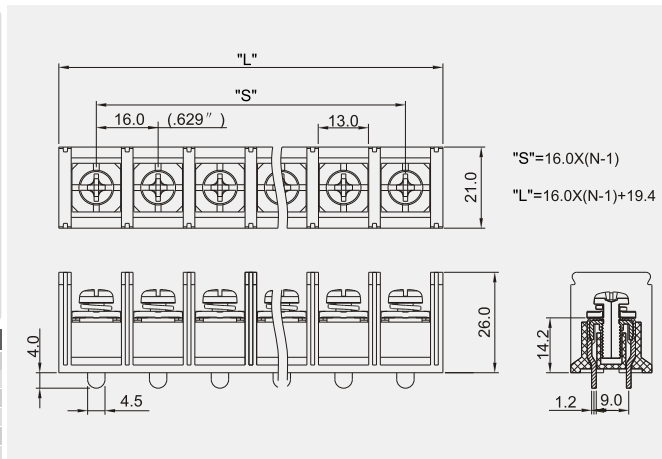
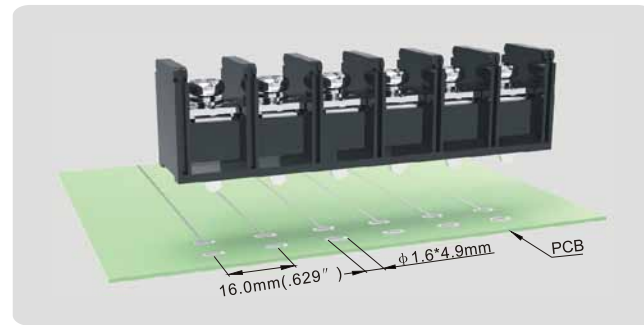
Electrical	電気性能	电气性能	UL1059 & CSA C22.2 NO.158		
Standard	安全規格	参考标准	UL1059 & CSA C22.2 NO.158		
Use group	使用レベル	使用级别	<b>B</b>	<b>C</b>	<b>D</b>
Rated voltage	定格電圧	额定电压	300V	-	300V
Rated current	定格電流	额定电流	40A	-	10A
Wire range	電線径	导线线径	18-8AWG		
Ring/Fork terminals	丸型圧着端子 先開型圧着端子	预绝缘端子 预绝缘端子	0.2-2.5mm <sup>2</sup> /22-14AWG 0.5-4.0mm <sup>2</sup> /22-10AWG		
With standing voltage	耐電圧	耐电压	AC1600V/1Min		
Insulation Resistance	絶縁抵抗	绝缘阻抗	500MΩ/DC500V		
Mechanical	機械性能	机械性能	1.2N.m (10.5Lb.In)		
Torque Value	ネジ締めトルク	锁紧扭力	1.2N.m (10.5Lb.In)		
Ambient temperature	環境温度	环境温度	-40°C~+105°C		
Stripping length	電線剥き長	剥线长度	7-8mm		
Dimensions	寸法	尺寸	11.0mm(.433")		
Pitch	ピッチ	间距	11.0mm(.433")		
Poles	極数	极数	2P-24P		
Material	材質及びメッキ	材质及电镀	PA66, UL94V-0		
Housing	本体	塑件	PA66, UL94V-0		
Terminal	導電板	端子	Copper, 1.0t, Tin Plated	赤銅, 1.0厚, 錫メッキ	紫銅, 1.0厚, 鍍錫
Screws	結線ビス	螺丝	Steel, M4, Ni Plated	鋼, M4, ニッケルメッキ	鋼, M4, 鍍銀
Other Data	他の情報	其他信息	φ 1.3*2.4mm		
PCB Hole Diameter	PCB取付穴径	PCB板孔径	φ 1.3*2.4mm		

### HOW TO ORDER 製品型番 订货方法



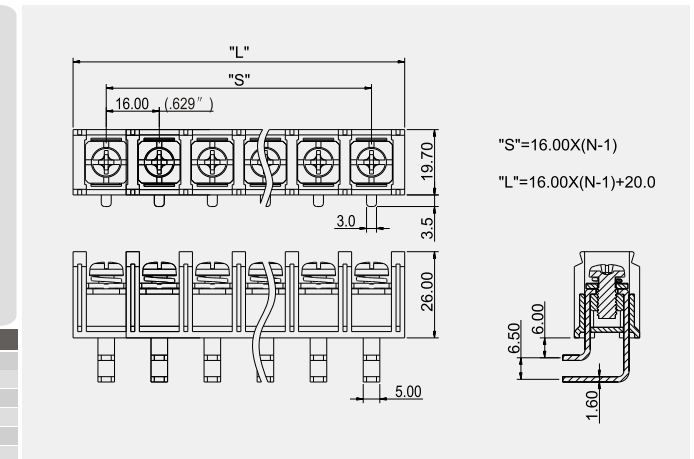
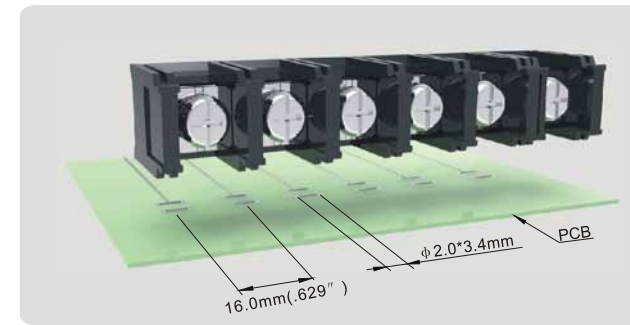


## DG88



Product model	Pcs./Pkt.	Product model	Pcs./Pkt.
DG88-02P	200	DG88-08P	55
DG88-03P	140	DG88-09P	44
DG88-04P	110	DG88-10P	40
DG88-05P	80	DG88-11P	35
DG88-06P	60	DG88-12P	35
DG88-07P	60		

## DG88RT

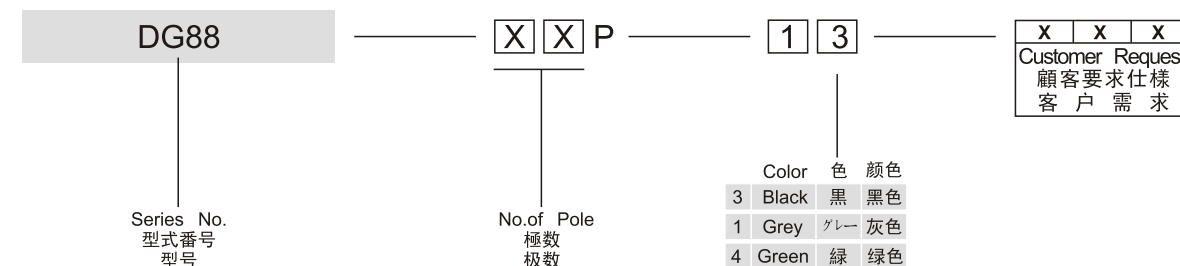


Product model	Pcs./Pkt.	Product model	Pcs./Pkt.
DG88RT-02P	145	DG88RT-08P	24
DG88RT-03P	100	DG88RT-09P	20
DG88RT-04P	70	DG88RT-10P	20
DG88RT-05P	60	DG88RT-11P	18
DG88RT-06P	50	DG88RT-12P	15
DG88RT-07P	40		



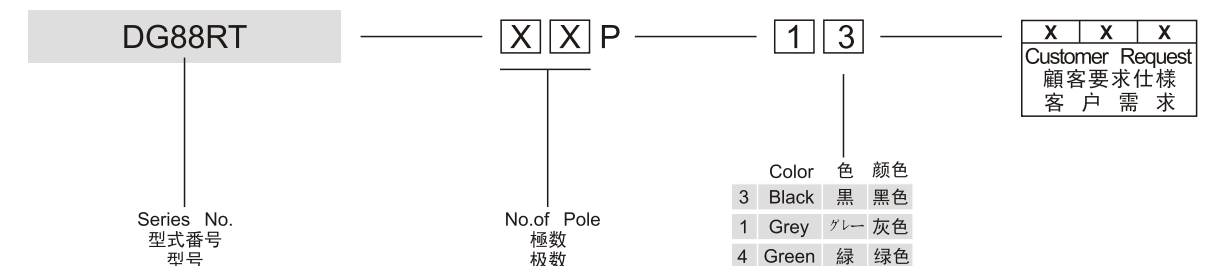
Electrical	電気性能	电气性能	UL1059 & CSA C22.2 NO.158		
Standard	安全規格	参考标准	UL1059 & CSA C22.2 NO.158		
Use group	使用レベル	使用级别	<b>B</b>	<b>C</b>	<b>D</b>
Rated voltage	定格電圧	额定电压	600V	600V	600V
Rated current	定格電流	额定电流	65A	65A	5A
Wire range	電線径	导线线径	14-6AWG		
Ring/Fork terminals	丸型圧着端子 先開型圧着端子	预绝缘端子	0.2-6.0mm <sup>2</sup> /14-10AWG 0.5-6.0mm <sup>2</sup> /14-10AWG		
With standing voltage	耐電圧	耐电压	AC2200V/1Min		
Insulation Resistance	絶縁阻抗	绝缘阻抗	500MΩ/DC500V		
Mechanical	機械性能	机械性能	2.0N.m (17.5Lb.In)		
Torque Value	ネジ締めトルク	锁紧扭力	2.0N.m (17.5Lb.In)		
Ambient temperature	環境温度	环境温度	-40°C~+105°C		
Stripping length	電線剥き長	剥线长度	12-13mm		
Dimensions	寸法	尺寸	16.0mm(.629")		
Pitch	ピッチ	间距	16.0mm(.629")		
Poles	極数	极数	2P-20P		
Material	材質及びメッキ	材质及电镀	PA66, UL94V-0		
Housing	本体	塑件	PA66, UL94V-0		
Terminal	導電板	端子	Copper, 1.0t, Tin Plated	赤銅, 1.0厚, 錫メッキ	紫銅, 1.0厚, 鍍錫
Screws	結線ビス	螺丝	Steel, M5, Ni Plated	鋼, M5, ニッケルメッキ	鋼, M5, 鍍銀
Other Data	他の情報	其他信息	φ1.6*4.9mm		
PCB Hole Diameter	PCB取付孔径	PCB板孔径	φ1.6*4.9mm		

### HOW TO ORDER 製品型番 订货方法

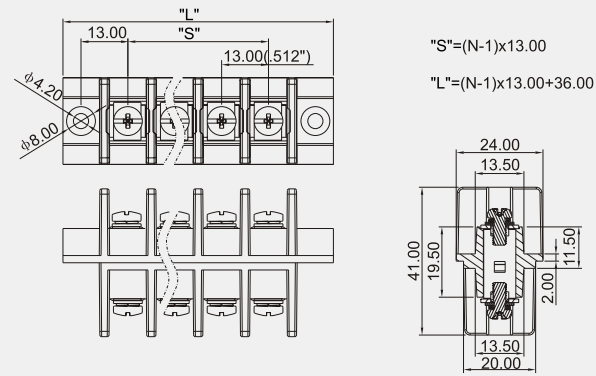
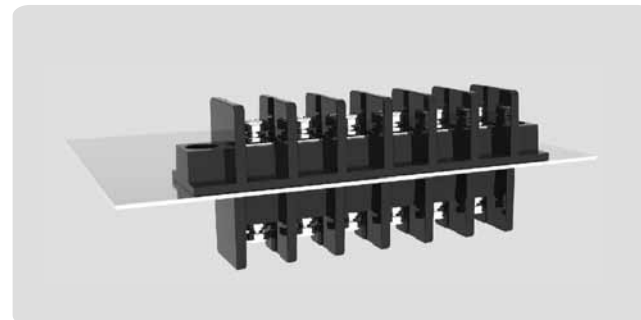


Electrical	電気性能	电气性能	UL1059 & CSA C22.2 NO.158		
Standard	安全規格	参考标准	UL1059 & CSA C22.2 NO.158		
Use group	使用レベル	使用级别	<b>B</b>	<b>C</b>	<b>D</b>
Rated voltage	定格電圧	额定电压	600V	—	—
Rated current	定格電流	额定电流	75A	—	—
Wire range	電線径	导线线径	10-4AWG		
Ring/Fork terminals	丸型圧着端子 先開型圧着端子	预绝缘端子	0.5-16mm <sup>2</sup> /10-6AWG 1.0-16mm <sup>2</sup> /10-6AWG		
With standing voltage	耐電圧	耐电压	AC2200V/1Min		
Insulation Resistance	絶縁阻抗	绝缘阻抗	500MΩ/DC500V		
Mechanical	機械性能	机械性能	2.5N.m (22.15Lb.In)		
Torque Value	ネジ締めトルク	锁紧扭力	2.5N.m (22.15Lb.In)		
Ambient temperature	環境温度	环境温度	-40°C~+105°C		
Stripping length	電線剥き長	剥线长度	11-12mm		
Dimensions	寸法	尺寸	16.0mm(.629")		
Pitch	ピッチ	间距	16.0mm(.629")		
Poles	極数	极数	2P-12P		
Material	材質及びメッキ	材质及电镀	PA66, UL94V-0		
Housing	本体	塑件	PA66, UL94V-0		
Terminal	導電板	端子	Copper, 1.6t, Tin Plated	赤銅, 1.6厚, 錫メッキ	紫銅, 1.6厚, 鍍錫
Screws	結線ビス	螺丝	Steel, M6, Ni Plated	鋼, M6, ニッケルメッキ	鋼, M6, 鍍銀
Other Data	他の情報	其他信息	φ2.0*3.4mm		
PCB Hole Diameter	PCB取付孔径	PCB板孔径	φ2.0*3.4mm		

### HOW TO ORDER 製品型番 订货方法

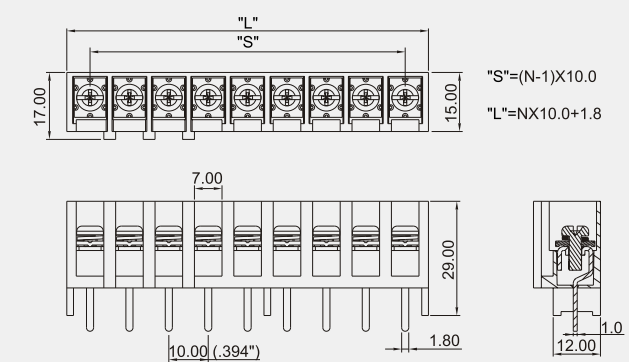
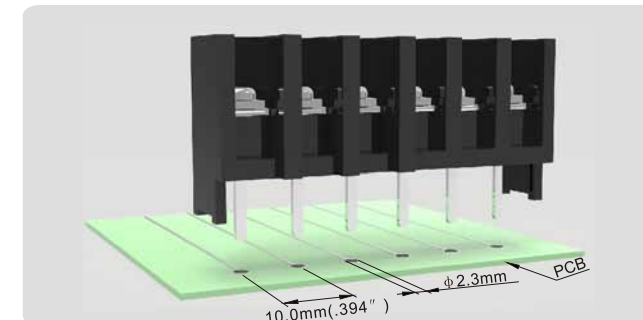


## DG30-A



Product model	Pcs./Pkt.	Product model	Pcs./Pkt.
DG30-A-02P	85	DG30-A-08P	25
DG30-A-03P	60	DG30-A-09P	25
DG30-A-04P	50	DG30-A-10P	25
DG30-A-05P	45	DG30-A-11P	
DG30-A-06P	30	DG30-A-12P	
DG30-A-07P	25		

## DG31-B

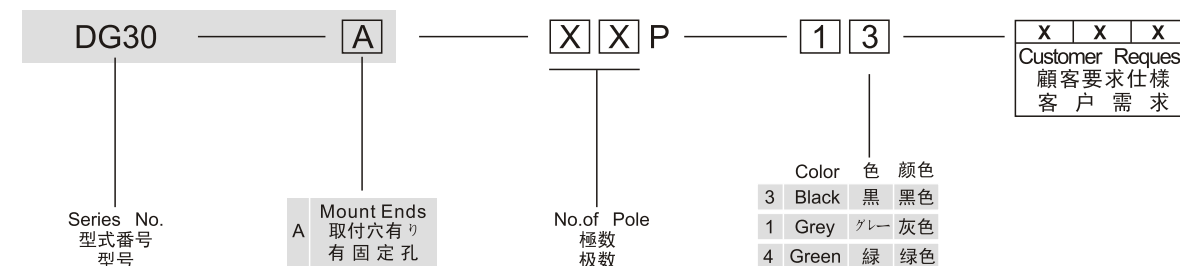


Product model	Pcs./Pkt.	Product model	Pcs./Pkt.
DG31-B-06P	160		
DG31-B-07P	105		
DG31-B-08P	105		
DG31-B-09P	72		
DG31-B-10P	90		



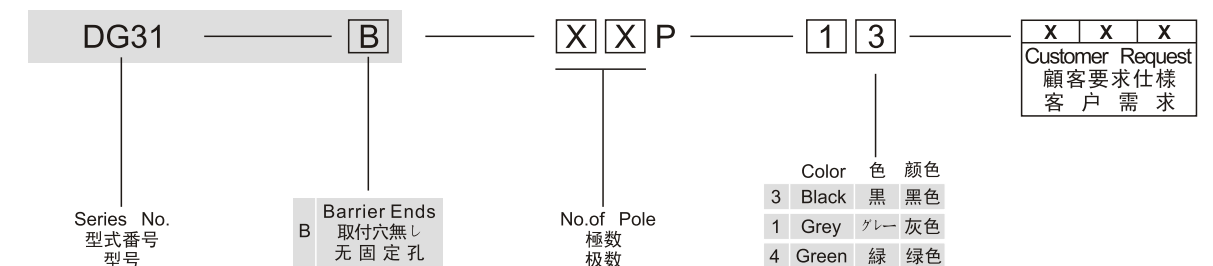
Electrical	電気性能	电气性能	UL1059 & CSA C22.2 NO.158		
Standard	安全規格	参考标准	UL1059 & CSA C22.2 NO.158		
Use group	使用レベル	使用级别	<b>B</b>	<b>C</b>	<b>D</b>
Rated voltage	定格電圧	额定电压	300V	-	300V
Rated current	定格電流	额定电流	30A	-	10A
Wire range	電線径	导线线径	28-10AWG		
Ring/Fork terminals	丸型圧着端子 先開型圧着端子	预绝缘端子	0.2-6.0mm <sup>2</sup> /22-10AWG 0.5-6.0mm <sup>2</sup> /22-10AWG		
With standing voltage	耐電圧	耐电压	AC1600V/1Min		
Insulation Resistance	絶縁抵抗	绝缘阻抗	500MΩ/DC500V		
Mechanical	機械性能	机械性能	1.2N.m (10.5Lb.In)		
Torque Value	ネジ締付トルク	锁紧扭力	1.2N.m (10.5Lb.In)		
Ambient temperature	環境温度	环境温度	-40°C~+105°C		
Stripping length	電線剥き長	剥线长度	8mm		
Dimensions	寸法	尺寸	13.0mm(.512")		
Pitch	ピッチ	间距	13.0mm(.512")		
Poles	極数	极数	2P-10P		
Material	材質及びメッキ	材质及电镀	PA66+25%GF, UL94V-0		
Housing	本体	塑件	PA66+25%GF, UL94V-0		
Terminal	導電板	端子	Copper alloy,1.0t,Tin Plated	銅合金,1.0厚,錫メッキ	铜合金,1.0厚,镀锡
Screws	結線ビス	螺丝	Steel,M4,Ni Plated	鋼,M4,ニッケルメッキ	钢,M4,镀锌
Other Data	他の情報	其他信息	M4.0		
PCB Hole Diameter	PCB取付孔径	PCB板孔径	M4.0		

### HOW TO ORDER 製品型番 订货方法



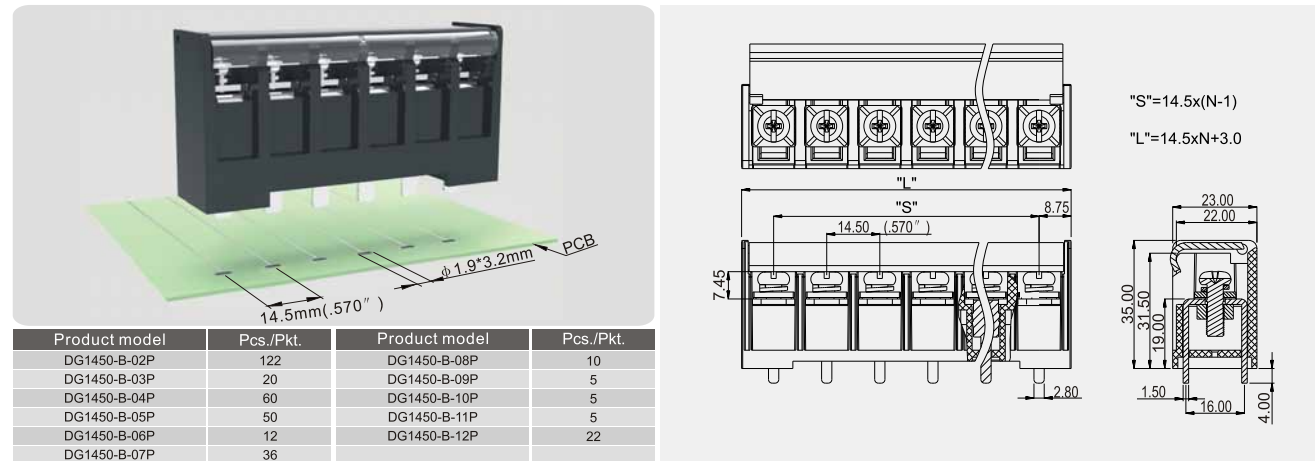
Electrical	電気性能	电气性能	UL1059 & CSA C22.2 NO.158		
Standard	安全規格	参考标准	UL1059 & CSA C22.2 NO.158		
Use group	使用レベル	使用级别	<b>B</b>	<b>C</b>	<b>D</b>
Rated voltage	定格電圧	额定电压	300V	300V	600V
Rated current	定格電流	额定电流	30A	30A	5A
Wire range	電線径	导线线径	18-10AWG		
Ring/Fork terminals	丸型圧着端子 先開型圧着端子	预绝缘端子	0.5-2.5mm <sup>2</sup> /18-16AWG 0.5-2.5mm <sup>2</sup> /18-14AWG		
With standing voltage	耐電圧	耐电压	AC1600V/1Min		
Insulation Resistance	絶縁抵抗	绝缘阻抗	500MΩ/DC500V		
Mechanical	機械性能	机械性能	1.2N.m (10.5Lb.In)		
Torque Value	ネジ締付トルク	锁紧扭力	1.2N.m (10.5Lb.In)		
Ambient temperature	環境温度	环境温度	-40°C~+105°C		
Stripping length	電線剥き長	剥线长度	7-10mm		
Dimensions	寸法	尺寸	10.0mm(.394")		
Pitch	ピッチ	间距	10.0mm(.394")		
Poles	極数	极数	6P-10P		
Material	材質及びメッキ	材质及电镀	PA66+25%GF, UL94V-0		
Housing	本体	塑件	PA66+25%GF, UL94V-0		
Terminal	導電板	端子	Copper alloy,1.0t,Tin Plated	銅合金,1.0厚,錫メッキ	铜合金,1.0厚,镀锡
Screws	結線ビス	螺丝	Steel,M4,Ni Plated	鋼,M4,ニッケルメッキ	钢,M4,镀锌
Other Data	他の情報	其他信息	φ2.3mm		
PCB Hole Diameter	PCB取付孔径	PCB板孔径	φ2.3mm		

### HOW TO ORDER 製品型番 订货方法



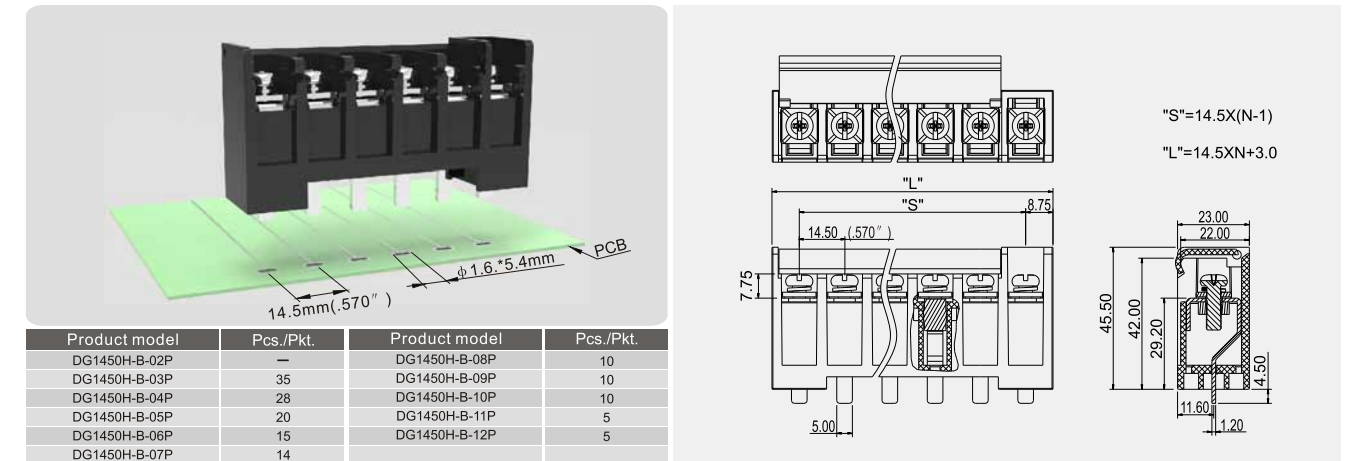


## DG1450-B



Product model	Pcs./Pkt.	Product model	Pcs./Pkt.
DG1450-B-02P	122	DG1450-B-08P	10
DG1450-B-03P	20	DG1450-B-09P	5
DG1450-B-04P	60	DG1450-B-10P	5
DG1450-B-05P	50	DG1450-B-11P	5
DG1450-B-06P	12	DG1450-B-12P	22
DG1450-B-07P	36		

## DG1450H-B

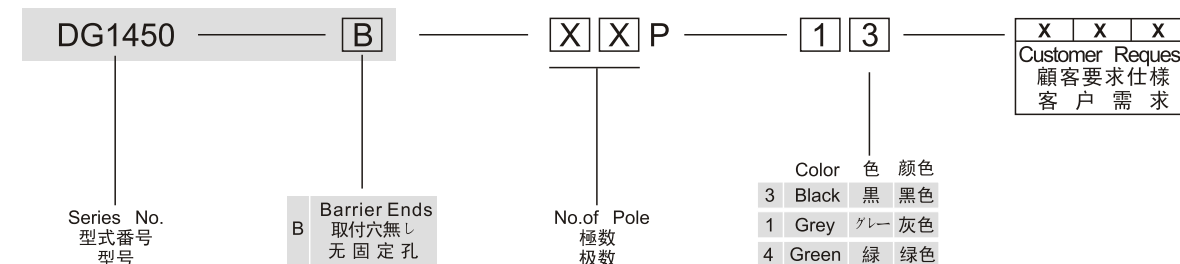


Product model	Pcs./Pkt.	Product model	Pcs./Pkt.
DG1450H-B-02P	—	DG1450H-B-08P	10
DG1450H-B-03P	35	DG1450H-B-09P	10
DG1450H-B-04P	28	DG1450H-B-10P	10
DG1450H-B-05P	20	DG1450H-B-11P	5
DG1450H-B-06P	15	DG1450H-B-12P	5
DG1450H-B-07P	14		



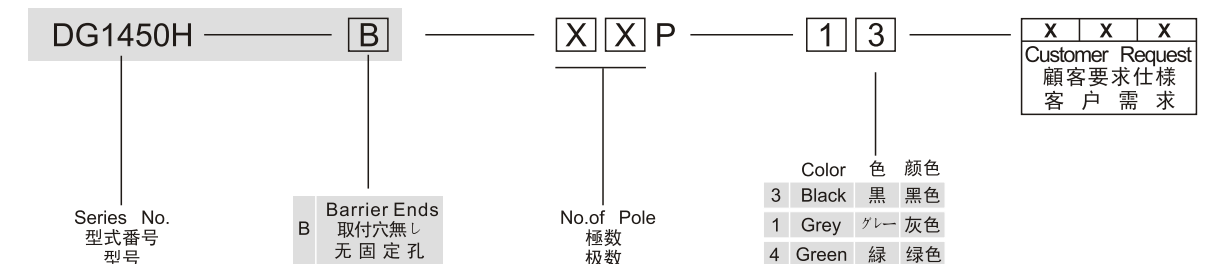
Electrical	電気性能	电气性能	UL1059 & CSA C22.2 NO.158		
Standard	安全規格	参考标准	UL1059 & CSA C22.2 NO.158		
Use group	使用レベル	使用级别	<b>B</b>	<b>C</b>	<b>D</b>
Rated voltage	定格電圧	额定电压	300V	300V	300V
Rated current	定格電流	额定电流	50A	50A	10A
Wire range	電線径	导线线径	22-8AWG		
Ring/Fork terminals	丸型圧着端子 先開型圧着端子	预绝缘端子	0.5-6.0mm <sup>2</sup> /22-8AWG 0.5-6.0mm <sup>2</sup> /22-10AWG		
With standing voltage	耐電圧	耐电压	AC1600V/1Min		
Insulation Resistance	絶縁阻抗	绝缘阻抗	500MΩ/DC500V		
Mechanical	機械性能	机械性能	2.0N.m (17.5Lb.In)		
Torque Value	ネジ締付トルク	锁紧扭力	2.0N.m (17.5Lb.In)		
Ambient temperature	環境温度	环境温度	-40°C~+120°C		
Stripping length	電線剥き長	剥线长度	12-15mm		
Dimensions	寸法	尺寸	14.5mm(.570")		
Pitch	ピッチ	间距	14.5mm(.570")		
Poles	極数	极数	2P-14P		
Material	材質及びメッキ	材质及电镀	PBT+20%GF., UL94V-0		
Housing	本体	塑件	PBT+20%GF., UL94V-0		
Terminal	導電板	端子	Copper alloy,1.5t, Tin Plated	銅合金,1.5厚,錫メッキ	铜合金,1.5厚,镀锡
Screws	結線ビス	螺丝	Steel,M5,Cr <sup>3+</sup> zn Plated	鋼,M5,亜鉛メッキ	钢,M5,镀锌
Other Data	他の情報	其他信息	φ1.9*3.2mm		
PCB Hole Diameter	PCB取付孔径	PCB板孔径	φ1.9*3.2mm		

### HOW TO ORDER 製品型番 订货方法

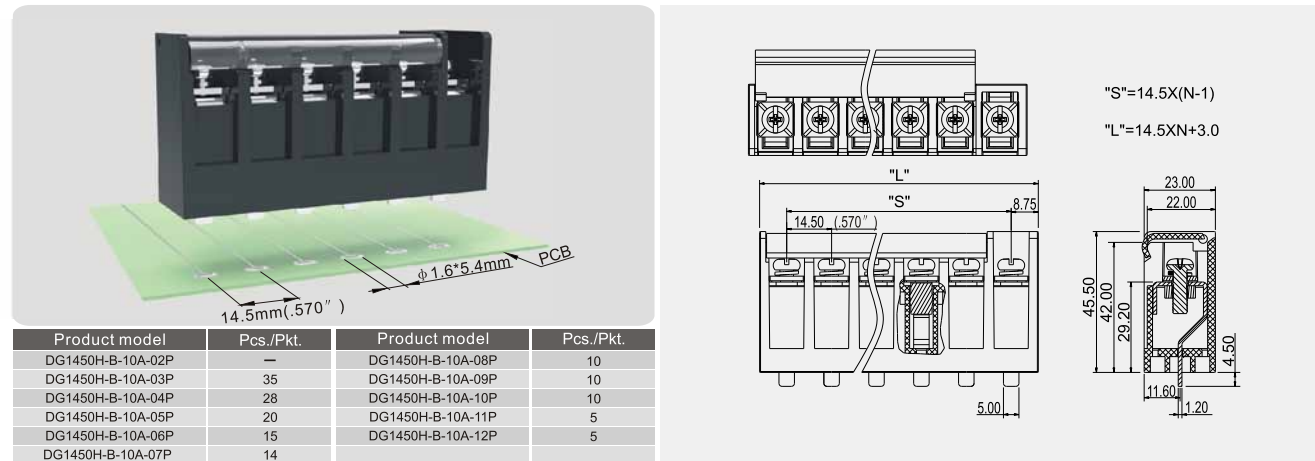


Electrical	電気性能	电气性能	UL1059 & CSA C22.2 NO.158		
Standard	安全規格	参考标准	UL1059 & CSA C22.2 NO.158		
Use group	使用レベル	使用级别	<b>B</b>	<b>C</b>	<b>D</b>
Rated voltage	定格電圧	额定电压	600V	600V	—
Rated current	定格電流	额定电流	45A	45A	—
Wire range	電線径	导线线径	22-8AWG		
Ring/Fork terminals	丸型圧着端子 先開型圧着端子	预绝缘端子	0.5-6.0mm <sup>2</sup> /22-8AWG 0.5-6.0mm <sup>2</sup> /22-10AWG		
With standing voltage	耐電圧	耐电压	AC2200V/1Min		
Insulation Resistance	絶縁阻抗	绝缘阻抗	500MΩ/DC500V		
Mechanical	機械性能	机械性能	2.0N.m (17.5Lb.In)		
Torque Value	ネジ締付トルク	锁紧扭力	2.0N.m (17.5Lb.In)		
Ambient temperature	環境温度	环境温度	-40°C~+120°C		
Stripping length	電線剥き長	剥线长度	12-15mm		
Dimensions	寸法	尺寸	14.5mm(.570")		
Pitch	ピッチ	间距	14.5mm(.570")		
Poles	極数	极数	2P-14P		
Material	材質及びメッキ	材质及电镀	PBT+20%GF., UL94V-0		
Housing	本体	塑件	PBT+20%GF., UL94V-0		
Terminal	導電板	端子	Copper alloy,1.2t, Tin Plated	銅合金,1.2厚,錫メッキ	铜合金,1.2厚,镀锡
Screws	結線ビス	螺丝	Steel,M5,Cr <sup>3+</sup> zn Plated	鋼,M5,亜鉛メッキ	钢,M5,镀锌
Other Data	他の情報	其他信息	φ1.6*5.4mm		
PCB Hole Diameter	PCB取付孔径	PCB板孔径	φ1.6*5.4mm		

### HOW TO ORDER 製品型番 订货方法

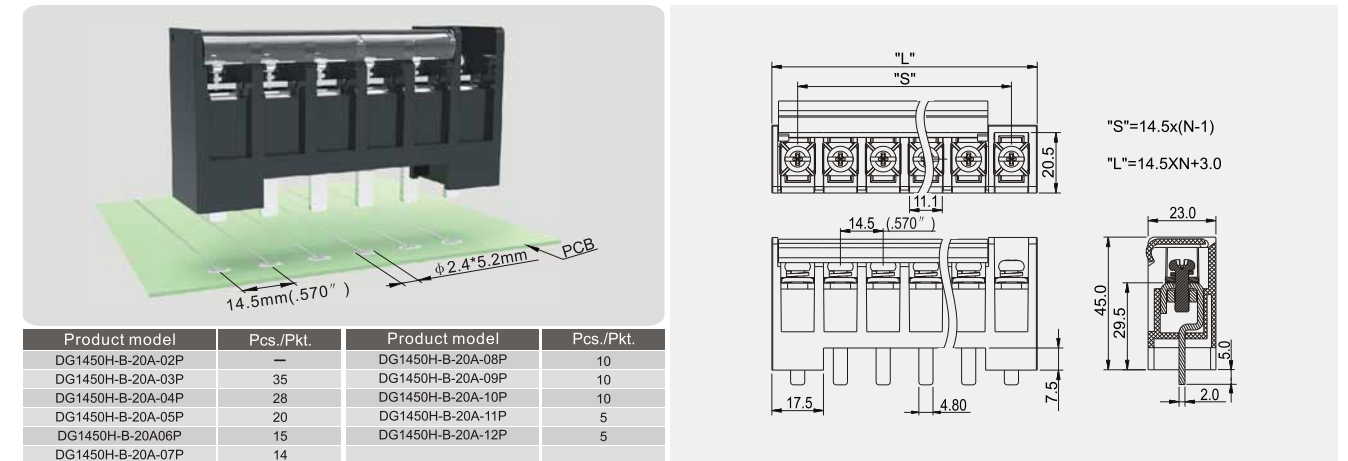


## DG1450H-B-10A



Product model	Pcs./Pkt.	Product model	Pcs./Pkt.
DG1450H-B-10A-02P	—	DG1450H-B-10A-08P	10
DG1450H-B-10A-03P	35	DG1450H-B-10A-09P	10
DG1450H-B-10A-04P	28	DG1450H-B-10A-10P	10
DG1450H-B-10A-05P	20	DG1450H-B-10A-11P	5
DG1450H-B-10A-06P	15	DG1450H-B-10A-12P	5
DG1450H-B-10A-07P	14		

## DG1450H-B-20A

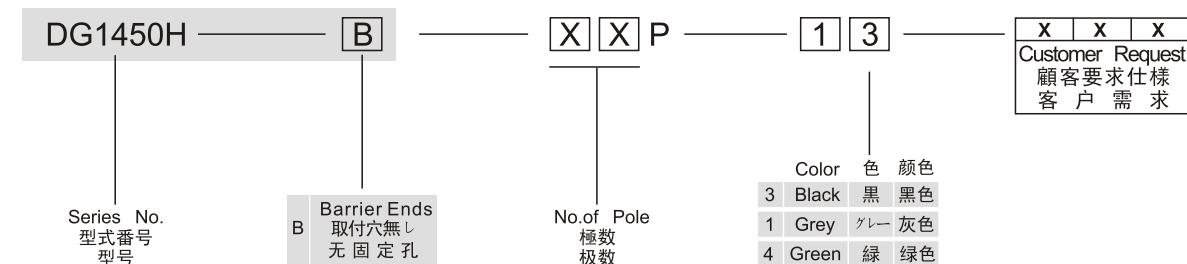


Product model	Pcs./Pkt.	Product model	Pcs./Pkt.
DG1450H-B-20A-02P	—	DG1450H-B-20A-08P	10
DG1450H-B-20A-03P	35	DG1450H-B-20A-09P	10
DG1450H-B-20A-04P	28	DG1450H-B-20A-10P	10
DG1450H-B-20A-05P	20	DG1450H-B-20A-11P	5
DG1450H-B-20A-06P	15	DG1450H-B-20A-12P	5
DG1450H-B-20A-07P	14		



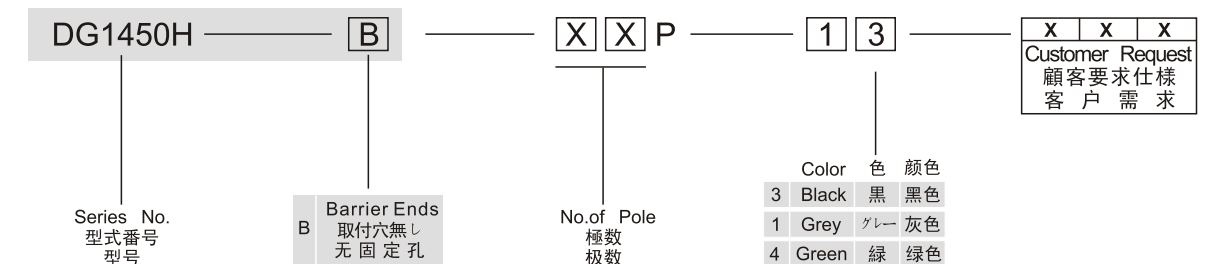
Electrical	電気性能	电气性能	UL1059 & CSA C22.2 NO.158		
Standard	安全規格	参考标准	UL1059 & CSA C22.2 NO.158		
Use group	使用レベル	使用级别	<b>B</b>	<b>C</b>	<b>D</b>
Rated voltage	定格電圧	额定电压	600V	600V	—
Rated current	定格電流	额定电流	45A	45A	—
Wire range	電線径	导线线径	22-8AWG		
Ring/Fork terminals	丸型圧着端子 先開型圧着端子	预绝缘端子	0.5-6.0mm <sup>2</sup> /22-8AWG 0.5-6.0mm <sup>2</sup> /22-10AWG		
With standing voltage	耐電圧	耐电压	AC2200V/1Min		
Insulation Resistance	絶縁抵抗	绝缘阻抗	500MΩ/DC500V		
Mechanical	機械性能	机械性能	2.0N.m (17.5Lb.In)		
Torque Value	ネジ締付トルク	锁紧扭力	2.0N.m (17.5Lb.In)		
Ambient temperature	環境温度	环境温度	-40°C~+120°C		
Stripping length	電線剥き長	剥线长度	12-15mm		
Dimensions	寸法	尺寸	14.50mm(.570")		
Pitch	ピッチ	间距	14.50mm(.570")		
Poles	極数	极数	2P-14P		
Material	材質及びメッキ	材质及电镀	PBT+20%GF, UL94V-0		
Housing	本体	塑件	PBT+20%GF, UL94V-0		
Terminal	導電板	端子	Copper alloy,1.2t, Tin Plated	銅合金,1.2厚,錫メッキ	铜合金,1.2厚,镀锡
Screws	結線ビス	螺丝	Steel,M5,Cr <sup>3+</sup> zn Plated	鋼,M5,亜鉛メッキ	钢,M5,镀锌
Other Data	他の情報	其他信息	φ1.6*5.4mm		
PCB Hole Diameter	PCB取付孔径	PCB板孔径	φ1.6*5.4mm		

### HOW TO ORDER 製品型番 订货方法

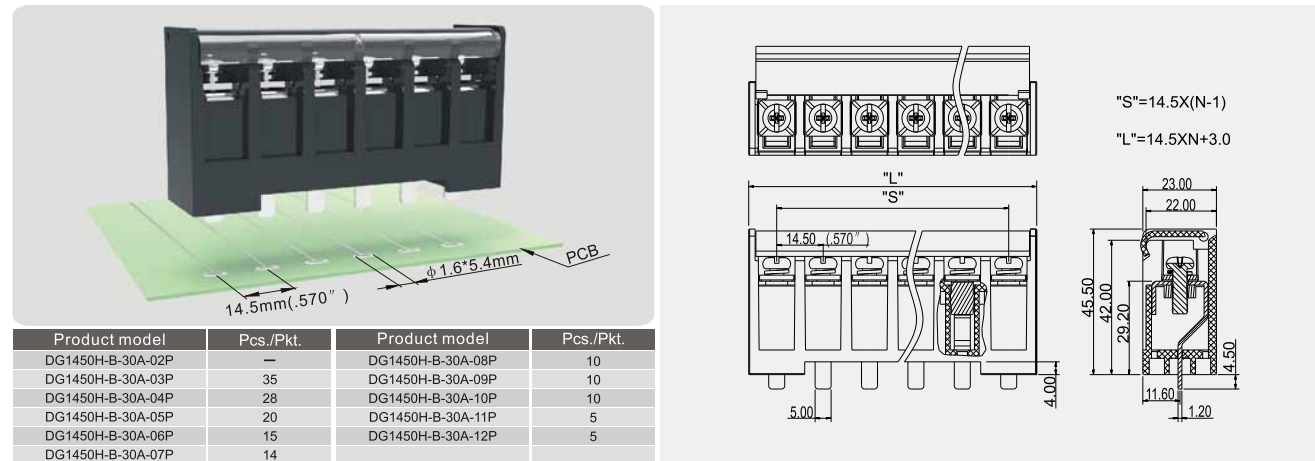


Electrical	電気性能	电气性能	UL1059 & CSA C22.2 NO.158		
Standard	安全規格	参考标准	UL1059 & CSA C22.2 NO.158		
Use group	使用レベル	使用级别	<b>B</b>	<b>C</b>	<b>D</b>
Rated voltage	定格電圧	额定电压	600V	600V	—
Rated current	定格電流	额定电流	57A	57A	—
Wire range	電線径	导线线径	22-8AWG		
Ring/Fork terminals	丸型圧着端子 先開型圧着端子	预绝缘端子	0.5-6.0mm <sup>2</sup> /22-8AWG 0.5-6.0mm <sup>2</sup> /22-10AWG		
With standing voltage	耐電圧	耐电压	AC2200V/1Min		
Insulation Resistance	絶縁抵抗	绝缘阻抗	500MΩ/DC500V		
Mechanical	機械性能	机械性能	2.0N.m (17.5Lb.In)		
Torque Value	ネジ締付トルク	锁紧扭力	2.0N.m (17.5Lb.In)		
Ambient temperature	環境温度	环境温度	-40°C~+120°C		
Stripping length	電線剥き長	剥线长度	12-15mm		
Dimensions	寸法	尺寸	14.50mm(.570")		
Pitch	ピッチ	间距	14.50mm(.570")		
Poles	極数	极数	2P-14P		
Material	材質及びメッキ	材质及电镀	PBT+20%GF, UL94V-0		
Housing	本体	塑件	PBT+20%GF, UL94V-0		
Terminal	導電板	端子	Copper alloy,2.0t, Tin Plated	銅合金,2.0厚,錫メッキ	铜合金,2.0厚,镀锡
Screws	結線ビス	螺丝	Steel,M5,Cr <sup>3+</sup> zn Plated	鋼,M5,亜鉛メッキ	钢,M5,镀锌
Other Data	他の情報	其他信息	φ2.4*5.2mm		
PCB Hole Diameter	PCB取付孔径	PCB板孔径	φ2.4*5.2mm		

### HOW TO ORDER 製品型番 订货方法

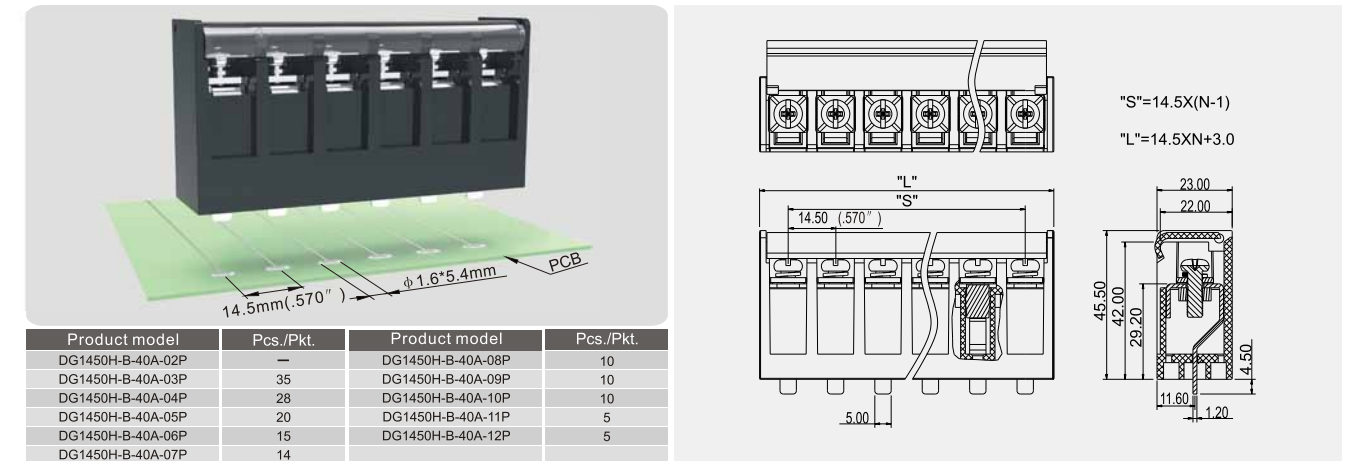


## DG1450H-B-30A



Product model	Pcs./Pkt.	Product model	Pcs./Pkt.
DG1450H-B-30A-02P	—	DG1450H-B-30A-08P	10
DG1450H-B-30A-03P	35	DG1450H-B-30A-09P	10
DG1450H-B-30A-04P	28	DG1450H-B-30A-10P	10
DG1450H-B-30A-05P	20	DG1450H-B-30A-11P	5
DG1450H-B-30A-06P	15	DG1450H-B-30A-12P	5
DG1450H-B-30A-07P	14		

## DG1450H-B-40A

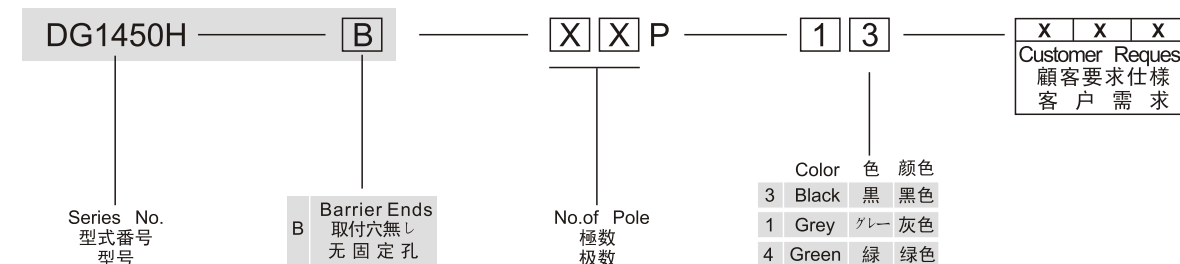


Product model	Pcs./Pkt.	Product model	Pcs./Pkt.
DG1450H-B-40A-02P	—	DG1450H-B-40A-08P	10
DG1450H-B-40A-03P	35	DG1450H-B-40A-09P	10
DG1450H-B-40A-04P	28	DG1450H-B-40A-10P	10
DG1450H-B-40A-05P	20	DG1450H-B-40A-11P	5
DG1450H-B-40A-06P	15	DG1450H-B-40A-12P	5
DG1450H-B-40A-07P	14		



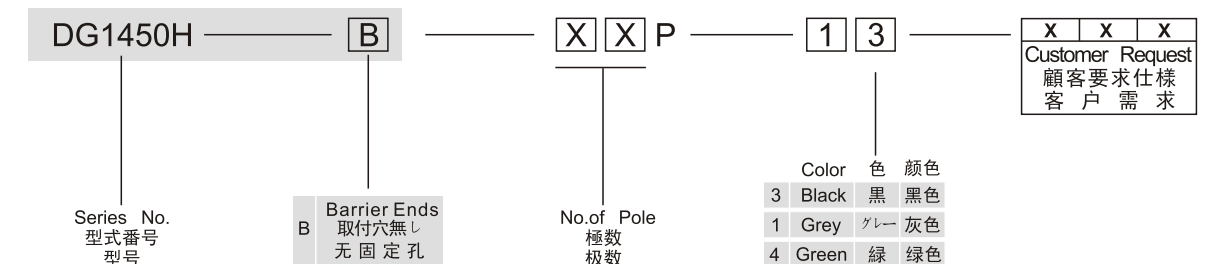
Electrical	電気性能	电气性能	UL1059 & CSA C22.2 NO.158		
Standard	安全規格	参考标准	UL1059 & CSA C22.2 NO.158		
Use group	使用レベル	使用级别	<b>B</b>	<b>C</b>	<b>D</b>
Rated voltage	定格電圧	额定电压	600V	600V	—
Rated current	定格電流	额定电流	45A	45A	—
Wire range	電線径	导线线径	22-8AWG		
Ring/Fork terminals	<input type="checkbox"/> 丸型圧着端子 <input type="checkbox"/> 先開型圧着端子	<input type="checkbox"/> 预绝缘端子 <input type="checkbox"/> 预绝缘端子	<input type="checkbox"/> 0.5-6.0mm <sup>2</sup> /22-8AWG <input type="checkbox"/> 0.5-6.0mm <sup>2</sup> /22-10AWG		
With standing voltage	耐電圧	耐电压	AC2200V/1Min		
Insulation Resistance	絶縁阻抗	绝缘阻抗	500MΩ/DC500V		
Mechanical	機械性能	机械性能			
Torque Value	ネジ締付トルク	锁紧扭力	2.0N.m (17.5Lb.In)		
Ambient temperature	環境温度	环境温度	-40°C~+120°C		
Stripping length	電線剥き長	剥线长度	12-15mm		
Dimensions	寸法	尺寸			
Pitch	ピッチ	间距	14.50mm(.570")		
Poles	極数	极数	2P-14P		
Material	材質及びメッキ	材质及电镀	PBT+20%GF, UL94V-0		
Housing	本体	塑件	Copper alloy,1.2t,Tin Plated 銅合金,1.2厚,錫メッキ 銅合金,1.2厚,鍍錫		
Terminal	導電板	端子	Steel,M5,Cr <sup>3+</sup> zn Plated 鋼,M5,亜鉛メッキ 鋼,M5,鍍鋅		
Screws	結線ビス	螺丝			
Other Data	他の情報	其他信息			
PCB Hole Diameter	PCB取付孔径	PCB板孔径	φ 1.6*5.4mm		

### HOW TO ORDER 製品型番 订货方法



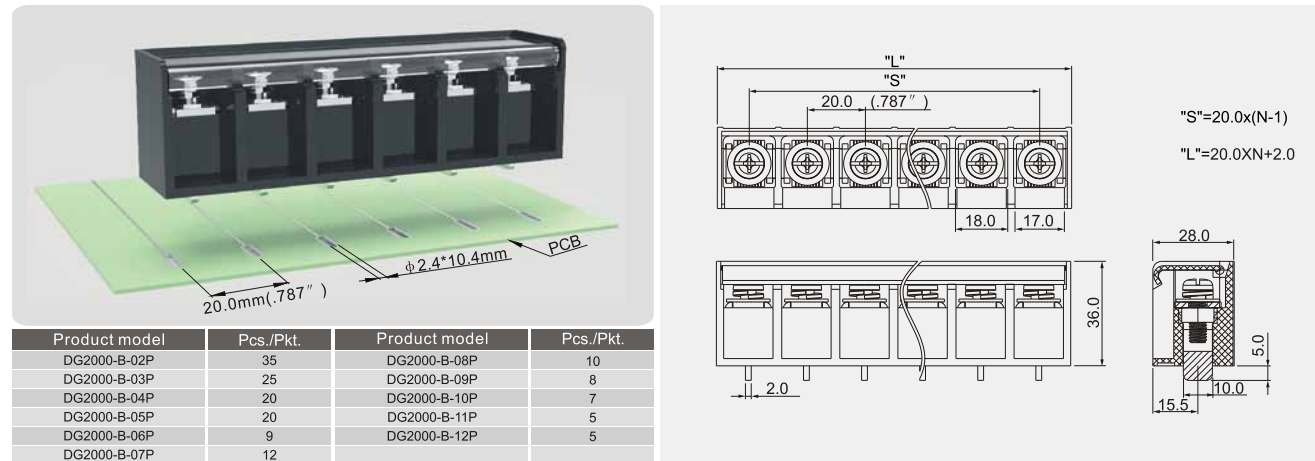
Electrical	電気性能	电气性能	UL1059 & CSA C22.2 NO.158		
Standard	安全規格	参考标准	UL1059 & CSA C22.2 NO.158		
Use group	使用レベル	使用级别	<b>B</b>	<b>C</b>	<b>D</b>
Rated voltage	定格電圧	额定电压	600V	600V	—
Rated current	定格電流	额定电流	45A	45A	—
Wire range	電線径	导线线径	22-8AWG		
Ring/Fork terminals	<input type="checkbox"/> 丸型圧着端子 <input type="checkbox"/> 先開型圧着端子	<input type="checkbox"/> 预绝缘端子 <input type="checkbox"/> 预绝缘端子	<input type="checkbox"/> 0.5-6.0mm <sup>2</sup> /22-8AWG <input type="checkbox"/> 0.5-6.0mm <sup>2</sup> /22-10AWG		
With standing voltage	耐電圧	耐电压	AC2200V/1Min		
Insulation Resistance	絶縁阻抗	绝缘阻抗	500MΩ/DC500V		
Mechanical	機械性能	机械性能			
Torque Value	ネジ締付トルク	锁紧扭力	2.0N.m (17.5Lb.In.)		
Ambient temperature	環境温度	环境温度	-40°C~+120°C		
Stripping length	電線剥き長	剥线长度	12-15mm		
Dimensions	寸法	尺寸			
Pitch	ピッチ	间距	14.50mm(.570")		
Poles	極数	极数	2P-14P		
Material	材質及びメッキ	材质及电镀	PBT+20%GF, UL94V-0		
Housing	本体	塑件	Copper alloy,1.2t,Tin Plated 銅合金,1.2厚,錫メッキ 銅合金,1.2厚,鍍錫		
Terminal	導電板	端子	Steel,M5,Cr <sup>3+</sup> zn Plated 鋼,M5,亜鉛メッキ 鋼,M5,鍍鋅		
Screws	結線ビス	螺丝			
Other Data	他の情報	其他信息			
PCB Hole Diameter	PCB取付孔径	PCB板孔径	φ 1.6*5.4mm		

### HOW TO ORDER 製品型番 订货方法



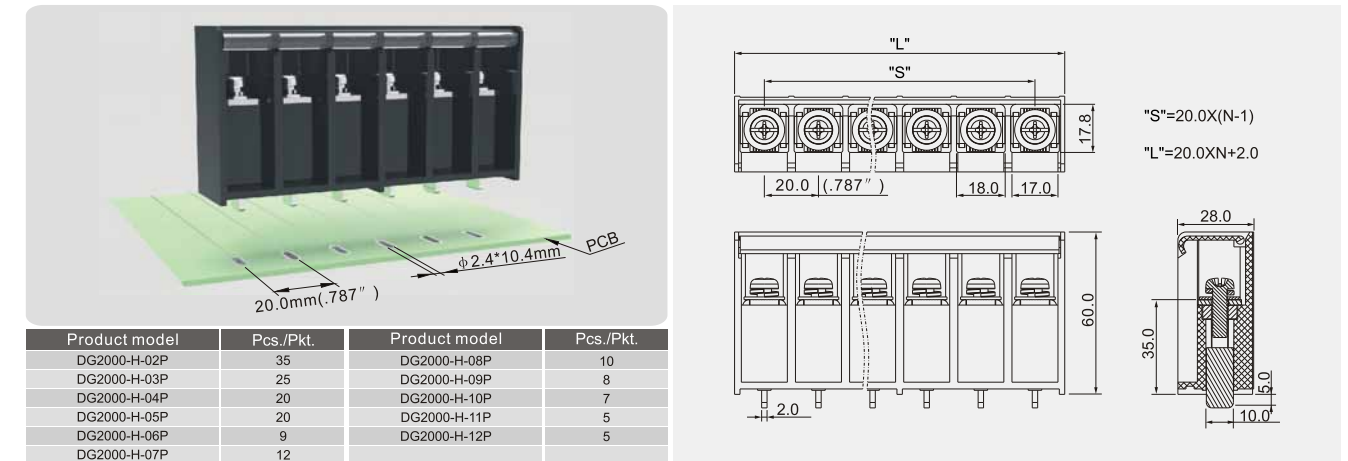


## DG2000-B



Product model	Pcs./Pkt.	Product model	Pcs./Pkt.
DG2000-B-02P	35	DG2000-B-08P	10
DG2000-B-03P	25	DG2000-B-09P	8
DG2000-B-04P	20	DG2000-B-10P	7
DG2000-B-05P	20	DG2000-B-11P	5
DG2000-B-06P	9	DG2000-B-12P	5
DG2000-B-07P	12		

## DG2000H-B

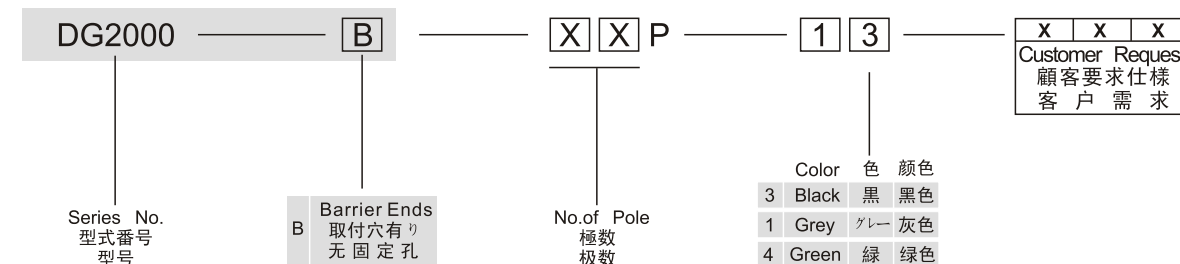


Product model	Pcs./Pkt.	Product model	Pcs./Pkt.
DG2000H-02P	35	DG2000H-08P	10
DG2000H-03P	25	DG2000H-09P	8
DG2000H-04P	20	DG2000H-10P	7
DG2000H-05P	20	DG2000H-11P	5
DG2000H-06P	9	DG2000H-12P	5
DG2000H-07P	12		



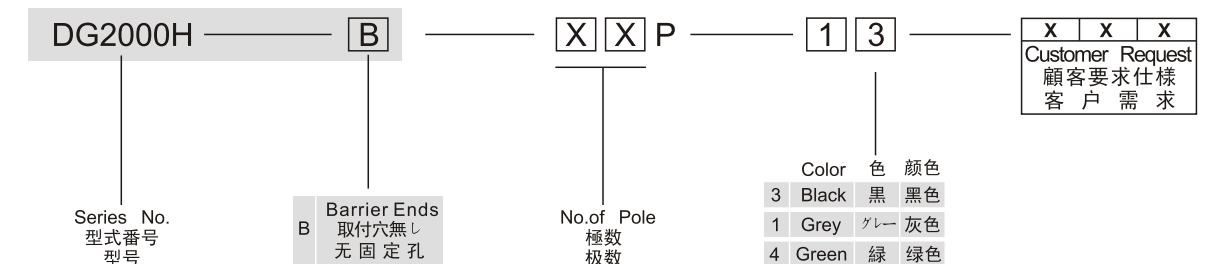
Electrical	電気性能	电气性能	UL1059 & CSA C22.2 NO.158		
Standard	安全規格	参考标准	UL1059 & CSA C22.2 NO.158		
Use group	使用レベル	使用级别	<b>B</b>	<b>C</b>	<b>D</b>
Rated voltage	定格電圧	额定电压	600V	600V	600V
Rated current	定格電流	额定电流	75A	75A	5A
Wire range	電線径	导线线径	26-4AWG		
Ring/Fork terminals	丸型圧着端子 先開型圧着端子	预绝缘端子	0.5-16mm <sup>2</sup> /22-4AWG 1.0-16mm <sup>2</sup> /16-6AWG		
With standing voltage	耐電圧	耐电压	AC2200V/1Min		
Insulation Resistance	絶縁抵抗	绝缘阻抗	500MΩ/DC500V		
Mechanical	機械性能	机械性能			
Torque Value	ネジ締付トルク	锁紧扭力	2.5N.m (22.15Lb.In)		
Ambient temperature	環境温度	环境温度	-40°C~+120°C		
Stripping length	電線剥き長	剥线长度	16-18mm		
Dimensions	寸法	尺寸			
Pitch	ピッチ	间距	20.0mm(.787")		
Poles	極数	极数	2P-12P		
Material	材質及びメッキ	材质及电镀	PBT+20%GF, UL94V-0		
Housing	本体	塑件	PBT+20%GF, UL94V-0		
Terminal	導電板	端子	Copper alloy,2.0t, Tin Plated	銅合金,2.0厚,錫メッキ	铜合金,2.0厚,镀锡
Screws	結線ビス	螺丝	Steel,M6,Ni Plated	鋼,M6,ニッケルメッキ	钢,M6,镀镍
Other Data	他の情報	其他信息			
PCB Hole Diameter	PCB取付穴径	PCB板孔径	φ2.4*10.4mm		

### HOW TO ORDER 製品型番 订货方法

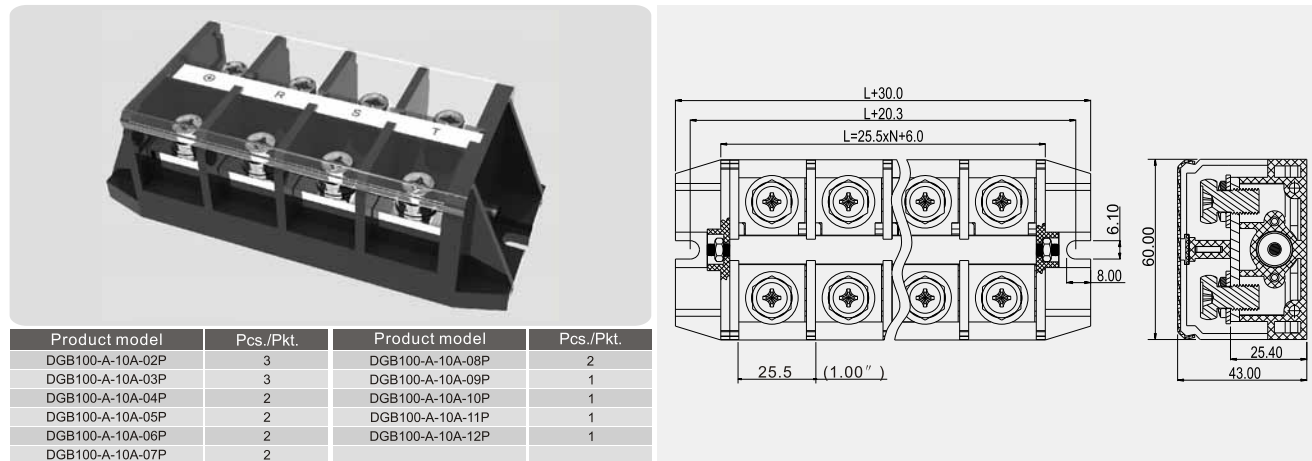


Electrical	電気性能	电气性能	UL1059 & CSA C22.2 NO.158		
Standard	安全規格	参考标准	UL1059 & CSA C22.2 NO.158		
Use group	使用レベル	使用级别	<b>B</b>	<b>C</b>	<b>D</b>
Rated voltage	定格電圧	额定电压	600V	600V	600V
Rated current	定格電流	额定电流	80A	80A	5A
Wire range	電線径	导线线径	26-4AWG		
Ring/Fork terminals	丸型圧着端子 先開型圧着端子	预绝缘端子	1.0-16mm <sup>2</sup> /16-6AWG 0.5-16mm <sup>2</sup> /22-4AWG		
With standing voltage	耐電圧	耐电压	AC2200V/1Min		
Insulation Resistance	絶縁抵抗	绝缘阻抗	500MΩ/DC500V		
Mechanical	機械性能	机械性能			
Torque Value	ネジ締付トルク	锁紧扭力	2.5N.m (22.15Lb.In)		
Ambient temperature	環境温度	环境温度	-40°C~+120°C		
Stripping length	電線剥き長	剥线长度	16-18mm		
Dimensions	寸法	尺寸			
Pitch	ピッチ	间距	20.0mm(.787")		
Poles	極数	极数	2P-12P		
Material	材質及びメッキ	材质及电镀	PBT+20%GF, UL94V-0		
Housing	本体	塑件	PBT+20%GF, UL94V-0		
Terminal	導電板	端子	Copper alloy,2.0t, Tin Plated	銅合金,2.0厚,錫メッキ	铜合金,2.0厚,镀锡
Screws	結線ビス	螺丝	Steel,M6,Ni Plated	鋼,M6,ニッケルメッキ	钢,M6,镀镍
Other Data	他の情報	其他信息			
PCB Hole Diameter	PCB取付穴径	PCB板孔径	φ2.4*10.4mm		

### HOW TO ORDER 製品型番 订货方法

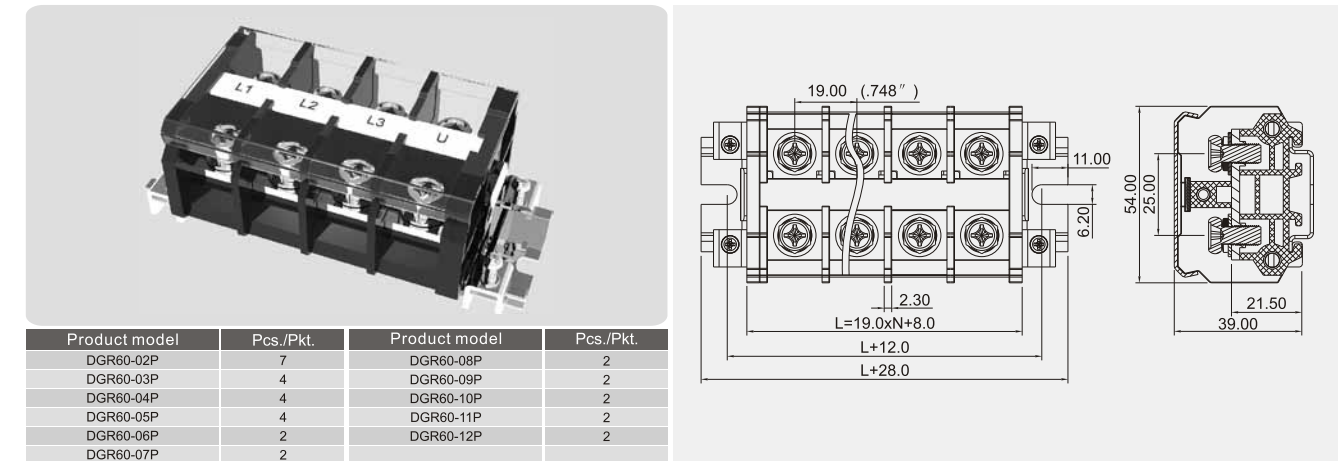


## DGB100-A-10A



Product model	Pcs./Pkt.	Product model	Pcs./Pkt.
DGB100-A-10A-02P	3	DGB100-A-10A-08P	2
DGB100-A-10A-03P	3	DGB100-A-10A-09P	1
DGB100-A-10A-04P	2	DGB100-A-10A-10P	1
DGB100-A-10A-05P	2	DGB100-A-10A-11P	1
DGB100-A-10A-06P	2	DGB100-A-10A-12P	1
DGB100-A-10A-07P	2		

## DGR60

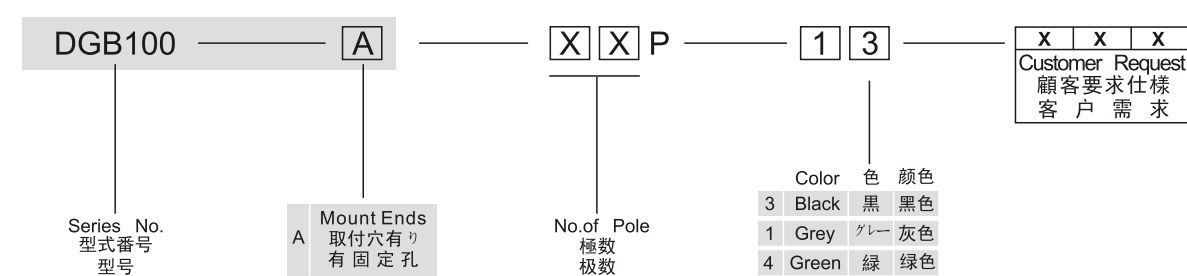


Product model	Pcs./Pkt.	Product model	Pcs./Pkt.
DGR60-02P	7	DGR60-08P	2
DGR60-03P	4	DGR60-09P	2
DGR60-04P	4	DGR60-10P	2
DGR60-05P	4	DGR60-11P	2
DGR60-06P	2	DGR60-12P	2
DGR60-07P	2		



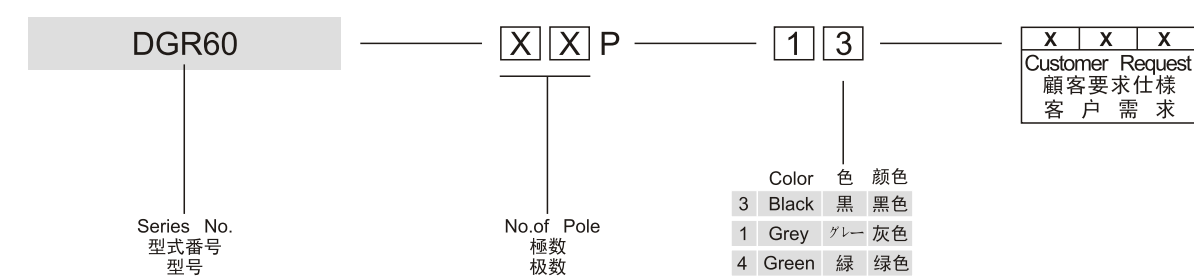
Electrical	電気性能	电气性能	UL1059 & CSA C22.2 NO.158		
Standard	安全規格	参考标准	UL1059 & CSA C22.2 NO.158		
Use group	使用レベル	使用级别	<b>B</b>	<b>C</b>	<b>D</b>
Rated voltage	定格電圧	额定电压	600V	600V	-
Rated current	定格電流	额定电流	101A	101A	-
Wire range	電線径	导线线径	20-2AWG		
Ring/Fork terminals	裸圧着端子	銅管端子	2.5-35mm <sup>2</sup>		
With standing voltage	耐電圧	耐电压	AC2200V/1Min		
Insulation Resistance	絶縁阻抗	绝缘阻抗	500MΩ/DC500V		
<b>Mechanical</b>	<b>機械性能</b>	<b>机械性能</b>			
Torque Value	ネジ締めトルク	锁紧扭力	3.5N.m (31.0Lb.In)		
Ambient temperature	環境温度	环境温度	-40°C~+120°C		
Stripping length	電線剥き長	剥线长度	10-12mm		
<b>Dimensions</b>	<b>寸法</b>	<b>尺寸</b>			
Pitch	ピッチ	间距	25.5mm(1.00\"/>		

HOW TO ORDER 製品型番 订货方法

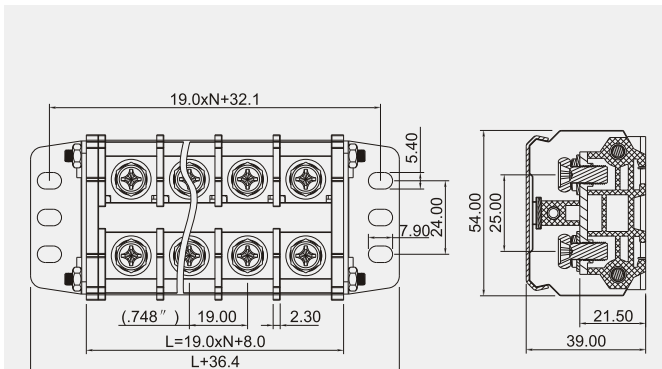
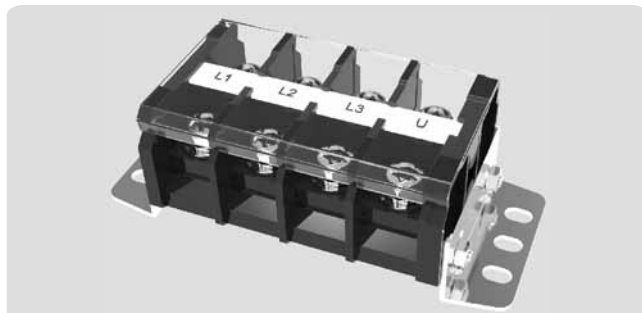


Electrical	電気性能	电气性能	UL1059 & CSA C22.2 NO.158		
Standard	安全規格	参考标准	UL1059 & CSA C22.2 NO.158		
Use group	使用レベル	使用级别	<b>B</b>	<b>C</b>	<b>D</b>
Rated voltage	定格電圧	额定电压	600V	600V	-
Rated current	定格電流	额定电流	80A	80A	-
Wire range	電線径	导线线径	20-4AWG		
Ring/Fork terminals	裸圧着端子	銅管端子	2.5-25mm <sup>2</sup>		
With standing voltage	耐電圧	耐电压	AC2200V/1Min		
Insulation Resistance	絶縁阻抗	绝缘阻抗	500MΩ/DC500V		
<b>Mechanical</b>	<b>機械性能</b>	<b>机械性能</b>			
Torque Value	ネジ締めトルク	锁紧扭力	2.5N.m (22.15Lb.In)		
Ambient temperature	環境温度	环境温度	-40°C~+120°C		
Stripping length	電線剥き長	剥线长度	12-15mm		
<b>Dimensions</b>	<b>寸法</b>	<b>尺寸</b>			
Pitch	ピッチ	间距	19.0mm(.748\"/>		

HOW TO ORDER 製品型番 订货方法

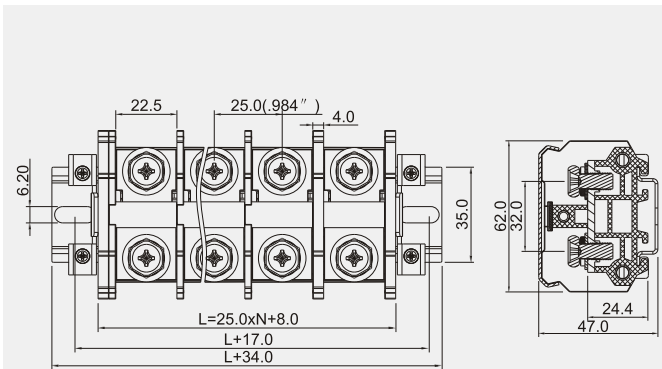
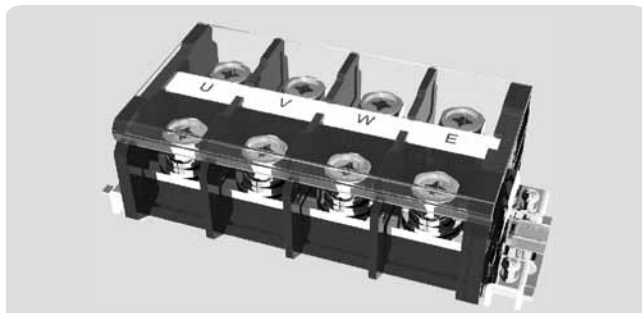


## DGR60-20A



Product model	Pcs./Pkt.	Product model	Pcs./Pkt.
DGR60-20A-02P	6	DGR60-20A-08P	2
DGR60-20A-03P	3	DGR60-20A-09P	2
DGR60-20A-04P	4	DGR60-20A-10P	2
DGR60-20A-05P	2	DGR60-20A-11P	2
DGR60-20A-06P	2	DGR60-20A-12P	2
DGR60-20A-07P	2		

## DGR100

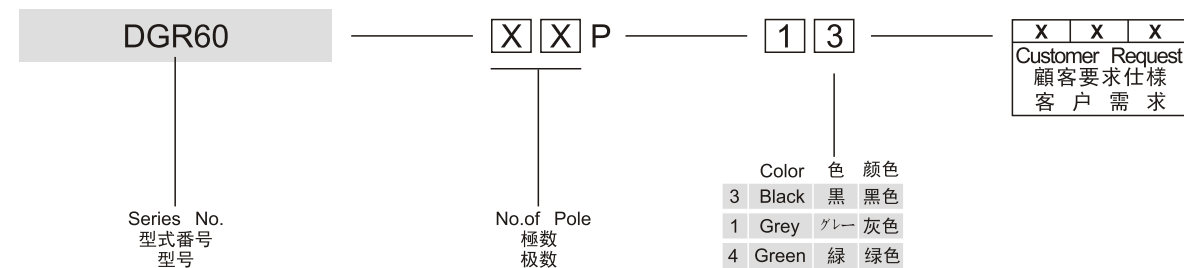


Product model	Pcs./Pkt.	Product model	Pcs./Pkt.
DGR100-02P	3	DGR100-08P	2
DGR100-03P	3	DGR100-09P	1
DGR100-04P	2	DGR100-10P	1
DGR100-05P	2	DGR100-11P	1
DGR100-06P	2	DGR100-12P	1
DGR100-07P	2		



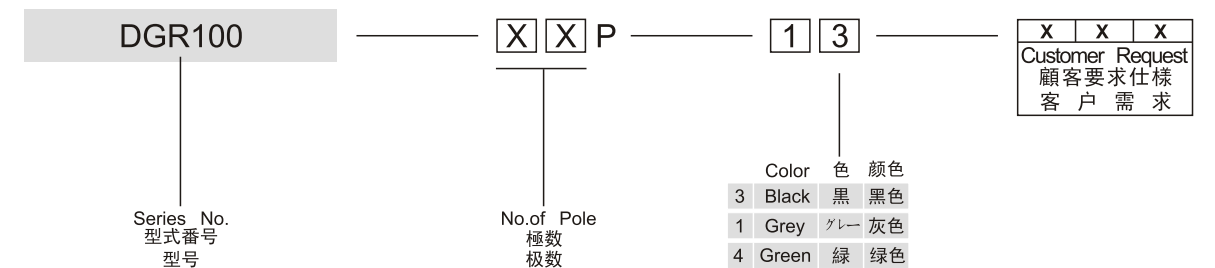
Electrical	電気性能	电气性能	UL1059 & CSA C22.2 NO.158		
Standard	安全規格	参考标准	UL1059 & CSA C22.2 NO.158		
Use group	使用レベル	使用级别	<b>B</b>	<b>C</b>	<b>D</b>
Rated voltage	定格電圧	额定电压	600V	600V	-
Rated current	定格電流	额定电流	80A	80A	-
Wire range	電線径	导线线径	20-4AWG		
Ring/Fork terminals	裸圧着端子	銅管端子	2.5-25mm <sup>2</sup>		
With standing voltage	耐電圧	耐电压	AC2200V/1Min		
Insulation Resistance	絶縁阻抗	绝缘阻抗	500MΩ/DC500V		
Mechanical	機械性能	机械性能			
Torque Value	ネジ締付トルク	锁紧扭力	2.5N.m (22.15Lb.In)		
Ambient temperature	環境温度	环境温度	-40°C~+120°C		
Stripping length	電線剥き長	剥线长度	12-15mm		
Dimensions	寸法	尺寸			
Pitch	ピッチ	间距	19.0mm(.748")		
Poles	極数	极数	1P-XXP		
Material	材質及びメッキ	材质及电镀			
Housing	本体	塑件	PC, UL94V-0		
Terminal	導電板	端子	Copper alloy, 2.5t, Ni Plated	銅合金, 2.5厚, ニッケルメッキ	銅合金, 2.5厚, 鍍銀
Screws	結線ビス	螺丝	Steel, M6, Cr <sup>3+</sup> zn Plated	鋼, M6, 亜鉛メッキ	鋼, M6, 鍍鋅
Other Data	他の情報	其他信息			
PCB Hole Diameter	PCB取付穴径	PCB板孔径	-		

HOW TO ORDER 製品型番 订货方法



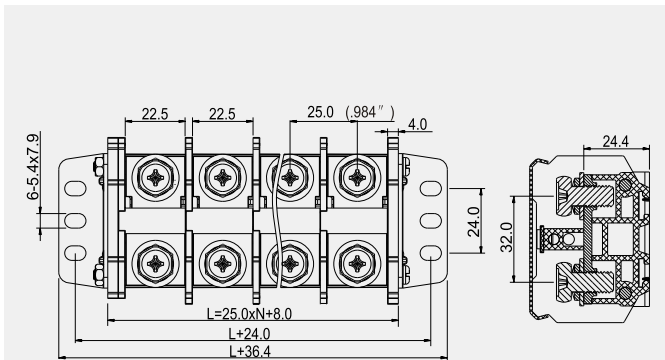
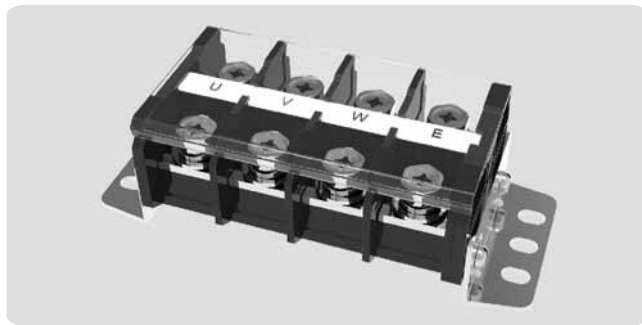
Electrical	電気性能	电气性能	UL1059 & CSA C22.2 NO.158		
Standard	安全規格	参考标准	UL1059 & CSA C22.2 NO.158		
Use group	使用レベル	使用级别	<b>B</b>	<b>C</b>	<b>D</b>
Rated voltage	定格電圧	额定电压	600V	600V	-
Rated current	定格電流	额定电流	101A	101A	-
Wire range	電線径	导线线径	20-2AWG		
Ring/Fork terminals	裸圧着端子	銅管端子	6.0-35mm <sup>2</sup>		
With standing voltage	耐電圧	耐电压	AC2200V/1Min		
Insulation Resistance	絶縁阻抗	绝缘阻抗	500MΩ/DC500V		
Mechanical	機械性能	机械性能			
Torque Value	ネジ締付トルク	锁紧扭力	3.5N.m (31.0Lb.In)		
Ambient temperature	環境温度	环境温度	-40°C~+120°C		
Stripping length	電線剥き長	剥线长度	10-12mm		
Dimensions	寸法	尺寸			
Pitch	ピッチ	间距	25.0mm(.984")		
Poles	極数	极数	1P-XXP		
Material	材質及びメッキ	材质及电镀			
Housing	本体	塑件	PC, UL94V-0		
Terminal	導電板	端子	Copper alloy, 3.0t, Ni Plated	銅合金, 3.0厚, ニッケルメッキ	銅合金, 3.0厚, 鍍銀
Screws	結線ビス	螺丝	Steel, M8, Cr <sup>3+</sup> zn Plated	鋼, M8, 亜鉛メッキ	鋼, M8, 鍍鋅
Other Data	他の情報	其他信息			
PCB Hole Diameter	PCB取付穴径	PCB板孔径	-		

HOW TO ORDER 製品型番 订货方法



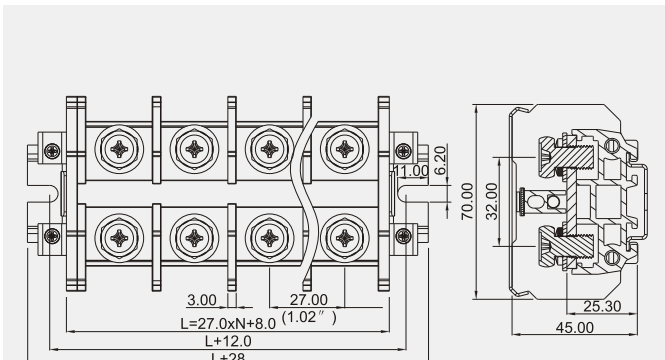
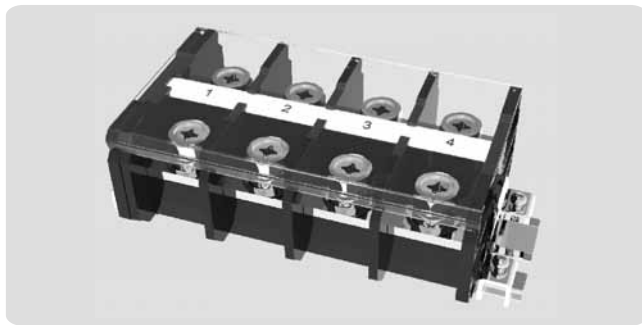


## DGR100-20A



Product model	Pcs./Pkt.	Product model	Pcs./Pkt.
DGR100-20A-02P	3	DGR100-20A-08P	2
DGR100-20A-03P	3	DGR100-20A-09P	1
DGR100-20A-04P	2	DGR100-20A-10P	1
DGR100-20A-05P	2	DGR100-20A-11P	1
DGR100-20A-06P	2	DGR100-20A-12P	1
DGR100-20A-07P	2		

## DGR150

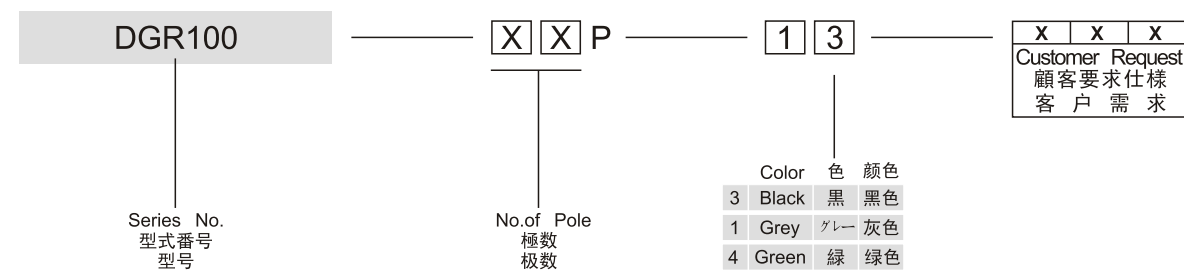


Product model	Pcs./Pkt.	Product model	Pcs./Pkt.
DGR150-02P	2	DGR150-08P	1
DGR150-03P	2	DGR150-09P	1
DGR150-04P	2	DGR150-10P	1
DGR150-05P	2	DGR150-11P	1
DGR150-06P	1	DGR150-12P	1
DGR150-07P	1		

CE

Electrical	電気性能	电气性能	UL1059 & CSA C22.2 NO.158		
Standard	安全規格	参考标准	UL1059 & CSA C22.2 NO.158		
Use group	使用レベル	使用级别	<b>B</b>	<b>C</b>	<b>D</b>
Rated voltage	定格電圧	额定电压	600V	600V	-
Rated current	定格電流	额定电流	101A	101A	-
Wire range	電線径	导线线径	20-2AWG		
Ring/Fork terminals	㊦ 裸圧着端子	㊦ 銅管端子	㊦ 6.0-35mm <sup>2</sup>		
With standing voltage	耐電圧	耐电压	AC2200V/1Min		
Insulation Resistance	絶縁抵抗	绝缘阻抗	500MΩ/DC500V		
Mechanical	機械性能	机械性能			
Torque Value	ネジ締付トルク	锁紧扭力	3.5N.m (31.0Lb.In)		
Ambient temperature	環境温度	环境温度	-40°C~+120°C		
Stripping length	電線剥き長	剥线长度	10-12mm		
Dimensions	寸法	尺寸			
Pitch	ピッチ	间距	25.0mm(.984\"		
Poles	極数	极数	1P-XXP		
Material	材質及びメッキ	材质及电镀			
Housing	本体	塑件	PC, UL94V-0		
Terminal	導電板	端子	Copper alloy,3.0t,Ni Plated	銅合金,3.0厚,ニッケルメッキ	铜合金,3.0厚,鍍镍
Screws	結線ビス	螺丝	Steel,M8,Cr <sup>2+</sup> zn Plated	鋼,M8,亜鉛メッキ	钢,M8,镀锌
Other Data	他の情報	其他信息			
PCB Hole Diameter	PCB取付穴径	PCB板孔径	-		

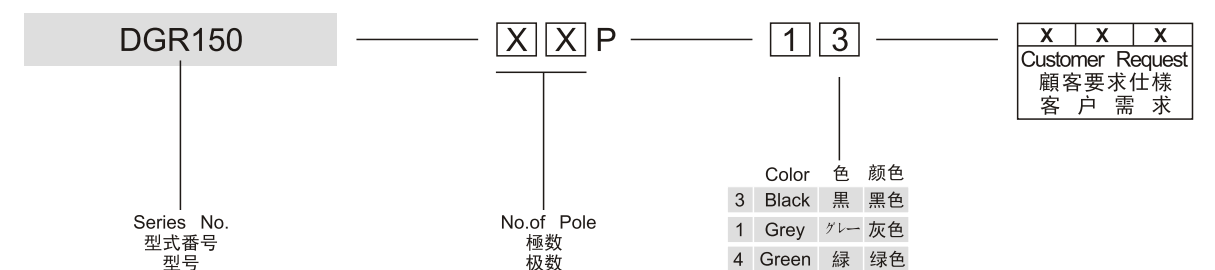
HOW TO ORDER 製品型番 订货方法



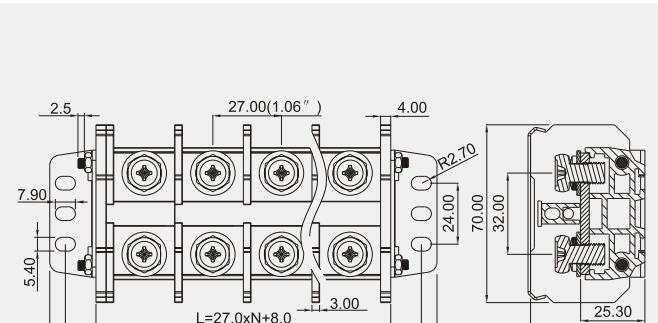
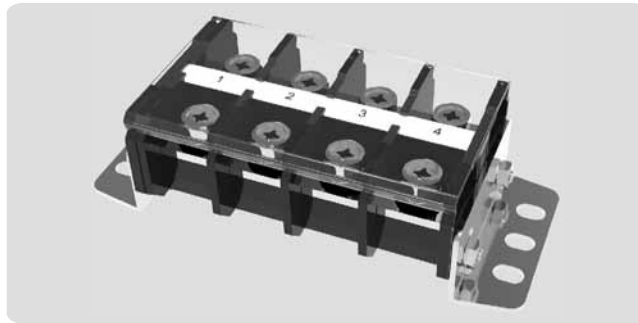
UL US CE

Electrical	電気性能	电气性能	UL1059 & CSA C22.2 NO.158		
Standard	安全規格	参考标准	UL1059 & CSA C22.2 NO.158		
Use group	使用レベル	使用级别	<b>B</b>	<b>C</b>	<b>D</b>
Rated voltage	定格電圧	额定电压	600V	600V	600V
Rated current	定格電流	额定电流	155A	155A	5A
Wire range	電線径	导线线径	20-2/0AWG		
Ring/Fork terminals	㊦ 裸圧着端子	㊦ 銅管端子	㊦ 6.0-70mm <sup>2</sup>		
With standing voltage	耐電圧	耐电压	AC2200V/1Min		
Insulation Resistance	絶縁抵抗	绝缘阻抗	500MΩ/DC500V		
Mechanical	機械性能	机械性能			
Torque Value	ネジ締付トルク	锁紧扭力	3.5N.m (31.0Lb.In)		
Ambient temperature	環境温度	环境温度	-40°C~+120°C		
Stripping length	電線剥き長	剥线长度	12-14mm		
Dimensions	寸法	尺寸			
Pitch	ピッチ	间距	27.0mm(1.06\"		
Poles	極数	极数	1P-XXP		
Material	材質及びメッキ	材质及电镀			
Housing	本体	塑件	PC, UL94V-0		
Terminal	導電板	端子	Copper alloy,3.5t,Ni Plated	銅合金,3.5厚,ニッケルメッキ	铜合金,3.5厚,鍍镍
Screws	結線ビス	螺丝	Steel,M8,Cr <sup>2+</sup> zn Plated	鋼,M8,亜鉛メッキ	钢,M8,镀锌
Other Data	他の情報	其他信息			
PCB Hole Diameter	PCB取付穴径	PCB板孔径	-		

HOW TO ORDER 製品型番 订货方法

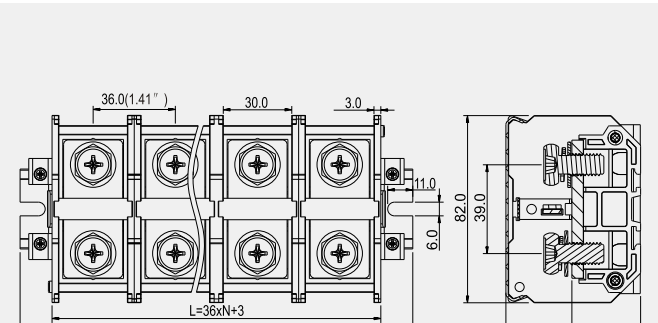
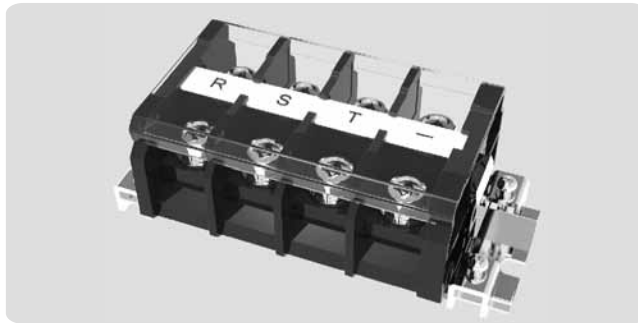


## DGR150-20A



Product model	Pcs./Pkt.	Product model	Pcs./Pkt.
DGR150-20A-02P	12	DGR150-20A-08P	1
DGR150-20A-03P	2	DGR150-20A-09P	1
DGR150-20A-04P	2	DGR150-20A-10P	1
DGR150-20A-05P	1	DGR150-20A-11P	1
DGR150-20A-06P	1	DGR150-20A-12P	1
DGR150-20A-07P	1		

## DGR200

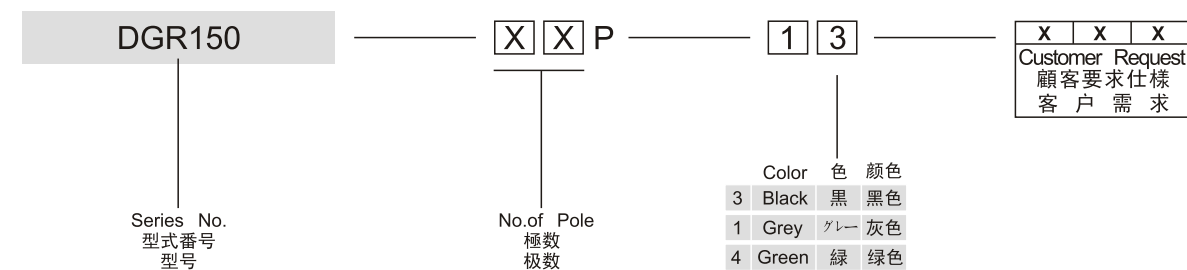


Product model	Pcs./Pkt.	Product model	Pcs./Pkt.
DGR200-02P	4	DGR200-08P	1
DGR200-03P	3	DGR200-09P	1
DGR200-04P	2	DGR200-10P	1
DGR200-05P	2	DGR200-11P	1
DGR200-06P	1	DGR200-12P	1
DGR200-07P	1		



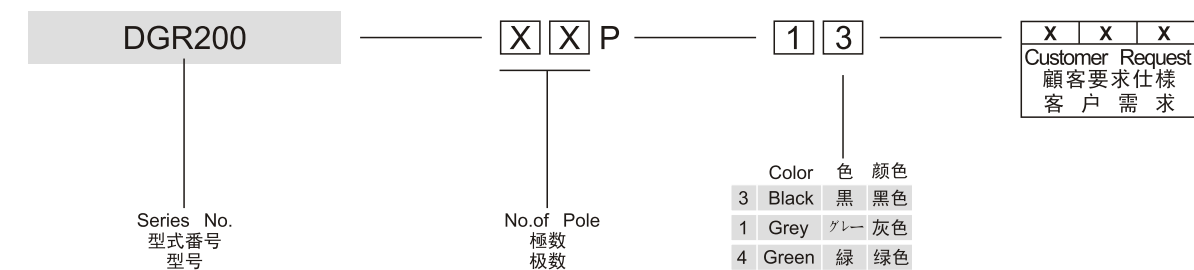
Electrical	電気性能	电气性能	UL1059 & CSA C22.2 NO.158		
Standard	安全規格	参考标准			
Use group	使用レベル	使用级别	<b>B</b>	<b>C</b>	<b>D</b>
Rated voltage	定格電圧	额定电压	600V	600V	600V
Rated current	定格電流	额定电流	155A	155A	5A
Wire range	電線径	导线线径	20-2/0AWG		
Ring/Fork terminals	裸圧着端子	銅管端子	6.0-70mm <sup>2</sup>		
With standing voltage	耐電圧	耐电压	AC2200V/1Min		
Insulation Resistance	絶縁阻抗	绝缘阻抗	500MΩ/DC500V		
Mechanical	機械性能	机械性能			
Torque Value	ネジ締めトルク	锁紧扭力	3.5N.m (31.0Lb.In)		
Ambient temperature	環境温度	环境温度	-40°C~+120°C		
Stripping length	電線剥き長	剥线长度	12-14mm		
Dimensions	寸法	尺寸			
Pitch	ピッチ	间距	27.0mm(1.06'')		
Poles	極数	极数	1P-XXP		
Material	材質及びメッキ	材质及电镀			
Housing	本体	塑件	PC, UL94V-0		
Terminal	導電板	端子	Copper alloy,3.5t,Ni Plated	銅合金,3.5厚,ニッケルメッキ	銅合金,3.5厚,鍍銀
Screws	結線ビス	螺丝	Steel,M8,Cr <sup>3+</sup> zn Plated	鋼,M8,亜鉛メッキ	鋼,M8,鍍鋅
Other Data	他の情報	其他信息			
PCB Hole Diameter	PCB取付穴径	PCB板孔径	-		

HOW TO ORDER 製品型番 订货方法

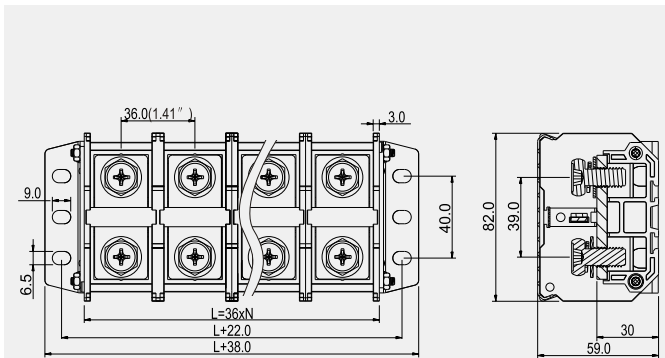
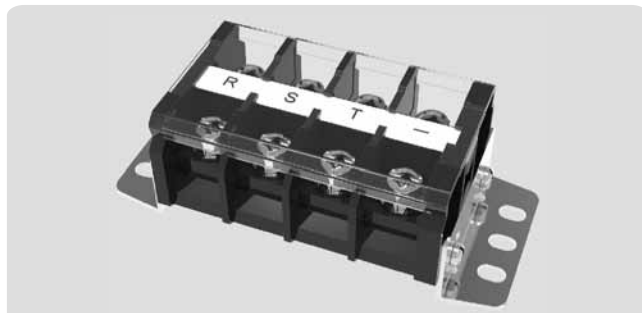


Electrical	電気性能	电气性能	UL1059 & CSA C22.2 NO.158		
Standard	安全規格	参考标准			
Use group	使用レベル	使用级别	<b>B</b>	<b>C</b>	<b>D</b>
Rated voltage	定格電圧	额定电压	600V	600V	-
Rated current	定格電流	额定电流	200A	200A	-
Wire range	電線径	导线线径	20-4/0AWG		
Ring/Fork terminals	裸圧着端子	銅管端子	6.0-95mm <sup>2</sup>		
With standing voltage	耐電圧	耐电压	AC2200V/1Min		
Insulation Resistance	絶縁阻抗	绝缘阻抗	500MΩ/DC500V		
Mechanical	機械性能	机械性能			
Torque Value	ネジ締めトルク	锁紧扭力	4.0N.m (35.4Lb.In)		
Ambient temperature	環境温度	环境温度	-40°C~+120°C		
Stripping length	電線剥き長	剥线长度	14-18mm		
Dimensions	寸法	尺寸			
Pitch	ピッチ	间距	36.0mm(1.41'')		
Poles	極数	极数	1P-XXP		
Material	材質及びメッキ	材质及电镀			
Housing	本体	塑件	PC, UL94V-0		
Terminal	導電板	端子	Copper alloy,5.0t,Ni Plated	銅合金,5.0厚,ニッケルメッキ	銅合金,5.0厚,鍍銀
Screws	結線ビス	螺丝	Steel,M10,Cr <sup>3+</sup> zn Plated	鋼,M10,亜鉛メッキ	鋼,M10,鍍鋅
Other Data	他の情報	其他信息			
PCB Hole Diameter	PCB取付穴径	PCB板孔径	-		

HOW TO ORDER 製品型番 订货方法

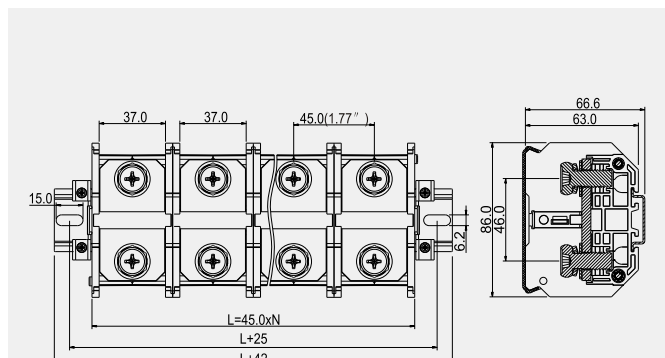
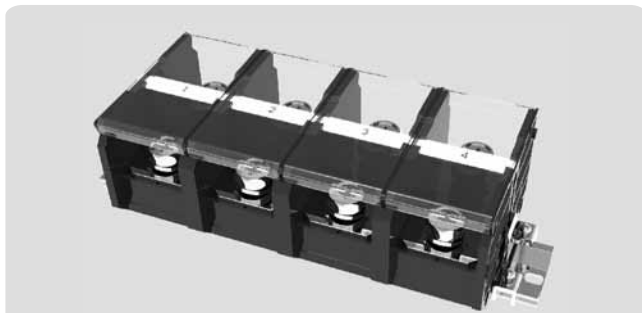


## DGR200-20A



Product model	Pcs./Pkt.	Product model	Pcs./Pkt.
DGR200-20A-02P	4	DGR200-20A-08P	1
DGR200-20A-03P	3	DGR200-20A-09P	1
DGR200-20A-04P	2	DGR200-20A-10P	1
DGR200-20A-05P	2	DGR200-20A-11P	1
DGR200-20A-06P	1	DGR200-20A-12P	1
DGR200-20A-07P	1		

## DGR300

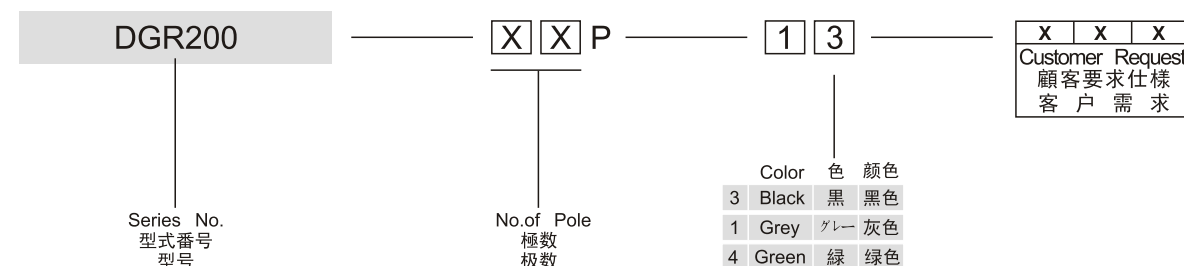


Product model	Pcs./Pkt.	Product model	Pcs./Pkt.
DGR300-02P	5	DGR300-08P	1
DGR300-03P	3	DGR300-09P	1
DGR300-04P	3	DGR300-10P	1
DGR300-05P	1	DGR300-11P	1
DGR300-06P	1	DGR300-12P	1
DGR300-07P	1		



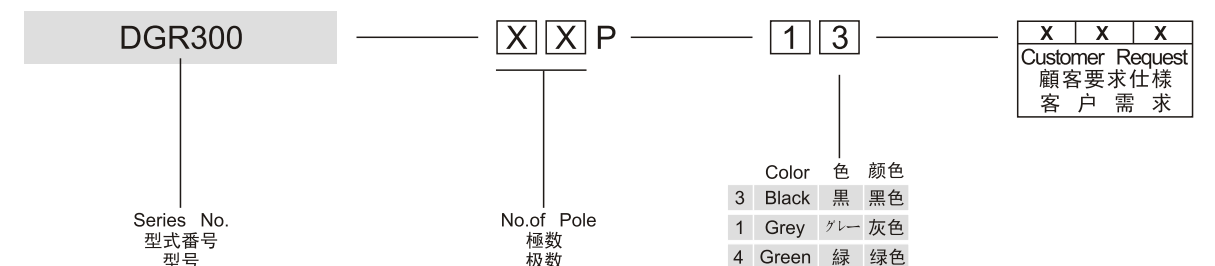
Electrical	電気性能	电气性能	UL1059 & CSA C22.2 NO.158		
Standard	安全規格	参考标准	UL1059 & CSA C22.2 NO.158		
Use group	使用レベル	使用级别	<b>B</b>	<b>C</b>	<b>D</b>
Rated voltage	定格電圧	额定电压	600V	600V	-
Rated current	定格電流	额定电流	200A	200A	-
Wire range	電線径	导线线径	20-4/0AWG		
Ring/Fork terminals	裸圧着端子	銅管端子	6.0-95mm <sup>2</sup>		
With standing voltage	耐電圧	耐电压	AC2200V/1Min		
Insulation Resistance	絶縁阻抗	绝缘阻抗	500MΩ/DC500V		
Mechanical	機械性能	机械性能	4.0N.m (35.4Lb.In)		
Torque Value	ネジ締めトルク	锁紧扭力	4.0N.m (35.4Lb.In)		
Ambient temperature	環境温度	环境温度	-40°C~+125°C		
Stripping length	電線剥き長	剥线长度	14-18mm		
Dimensions	寸法	尺寸	36.0mm(1.41\"		
Pitch	ピッチ	间距	36.0mm(1.41\"		
Poles	極数	极数	1P-XXP		
Material	材質及びメッキ	材质及电镀	PC, UL94V-0		
Housing	本体	塑件	PC, UL94V-0		
Terminal	導電板	端子	Copper alloy,5.0t,Ni Plated	銅合金,5.0厚,ニッケルメッキ	銅合金,5.0厚,鍍銀
Screws	結線ビス	螺丝	Steel,M10,Cr <sup>3+</sup> zn Plated	鋼,M10,亜鉛メッキ	鋼,M10,鍍鋅
Other Data	他の情報	其他信息	-		
PCB Hole Diameter	PCB取付穴径	PCB板孔径	-		

HOW TO ORDER 製品型番 订货方法



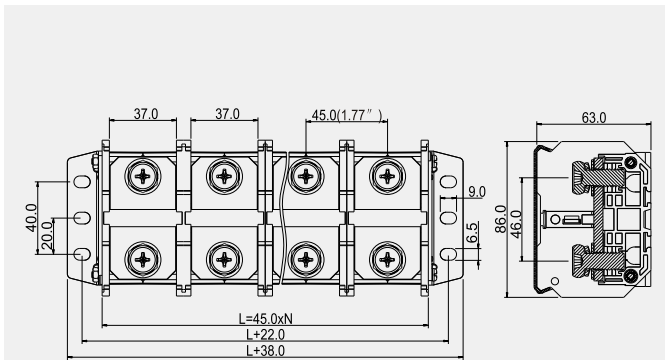
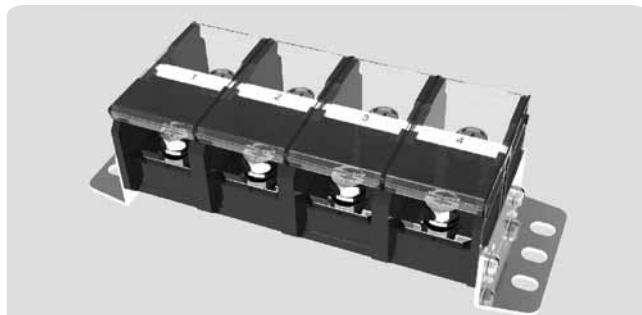
Electrical	電気性能	电气性能	UL1059 & CSA C22.2 NO.158		
Standard	安全規格	参考标准	UL1059 & CSA C22.2 NO.158		
Use group	使用レベル	使用级别	<b>B</b>	<b>C</b>	<b>D</b>
Rated voltage	定格電圧	额定电压	600V	600V	-
Rated current	定格電流	额定电流	300A	300A	-
Wire range	電線径	导线线径	20-30kcmil		
Ring/Fork terminals	裸圧着端子	銅管端子	25-150mm <sup>2</sup>		
With standing voltage	耐電圧	耐电压	AC2200V/1Min		
Insulation Resistance	絶縁阻抗	绝缘阻抗	500MΩ/DC500V		
Mechanical	機械性能	机械性能	4.0N.m (35.4Lb.In)		
Torque Value	ネジ締めトルク	锁紧扭力	4.0N.m (35.4Lb.In)		
Ambient temperature	環境温度	环境温度	-40°C~+125°C		
Stripping length	電線剥き長	剥线长度	19-21mm		
Dimensions	寸法	尺寸	45.0mm(1.77\"		
Pitch	ピッチ	间距	45.0mm(1.77\"		
Poles	極数	极数	1P-XXP		
Material	材質及びメッキ	材质及电镀	PC, UL94V-0		
Housing	本体	塑件	PC, UL94V-0		
Terminal	導電板	端子	Copper alloy,5.0t,Ni Plated	銅合金,5.0厚,ニッケルメッキ	銅合金,5.0厚,鍍銀
Screws	結線ビス	螺丝	Steel,M10,Cr <sup>3+</sup> zn Plated	鋼,M10,亜鉛メッキ	鋼,M10,鍍鋅
Other Data	他の情報	其他信息	-		
PCB Hole Diameter	PCB取付穴径	PCB板孔径	-		

HOW TO ORDER 製品型番 订货方法



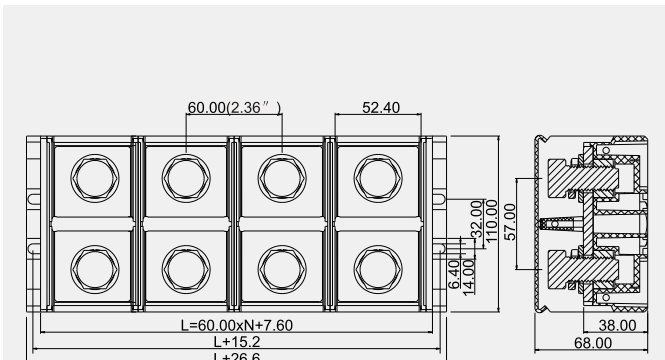
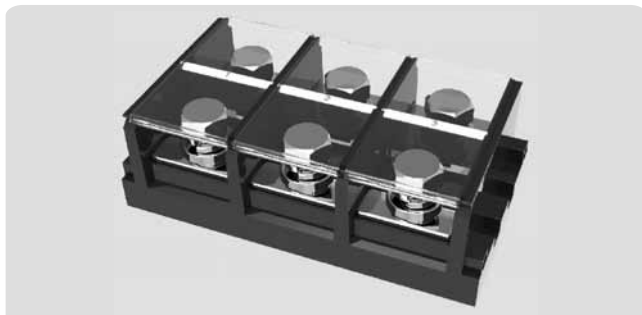


## DGR300-20A



Product model	Pcs./Pkt.	Product model	Pcs./Pkt.
DGR300-20A-02P	5	DGR300-20A-08P	1
DGR300-20A-03P	3	DGR300-20A-09P	1
DGR300-20A-04P	3	DGR300-20A-10P	1
DGR300-20A-05P	1	DGR300-20A-11P	1
DGR300-20A-06P	1	DGR300-20A-12P	1
DGR300-20A-07P	1		

## DGR500

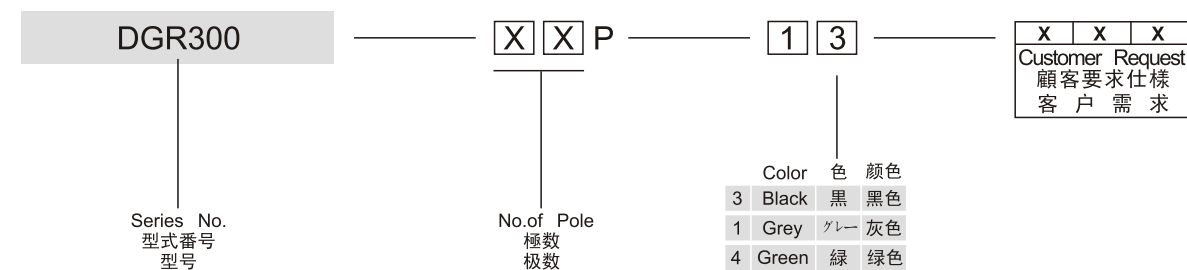


Product model	Pcs./Pkt.	Product model	Pcs./Pkt.
DGR500-02P	—	DGR500-08P	—
DGR500-03P	—	DGR500-09P	—
DGR500-04P	—	DGR500-10P	—
DGR500-05P	—	DGR500-11P	—
DGR500-06P	—	DGR500-12P	—
DGR500-07P	—		—

CE

Electrical	電気性能	电气性能	UL1059 & CSA C22.2 NO. 158		
Standard	安全規格	参考标准			
Use group	使用レベル	使用级别	<b>B</b>	<b>C</b>	<b>D</b>
Rated voltage	定格電圧	额定电压	600V	600V	—
Rated current	定格電流	额定电流	300A	300A	—
Wire range	電線径	导线线径	20-300kcmil		
Ring/Fork terminals	◎□ 裸圧着端子 ◎□ 预绝缘端子	◎□ 预绝缘端子	◎□ 25-150mm <sup>2</sup>		
With standing voltage	耐電圧	耐电压	AC2200V/1Min		
Insulation Resistance	絶縁阻抗	绝缘阻抗	500MΩ/DC500V		
Mechanical	機械性能	机械性能			
Torque Value	ネジ締めトルク	锁紧扭力	4.0N.m (35.4Lb.In)		
Ambient temperature	環境温度	环境温度	-40°C~+120°C		
Stripping length	電線剥き長	剥线长度	19-21mm		
Dimensions	寸法	尺寸			
Pitch	ピッチ	间距	45.0mm(1.77'')		
Poles	極数	极数	1P-XXP		
Material	材質及びメッキ	材质及电镀			
Housing	本体	塑件	PC, UL94V-0		
Terminal	導電板	端子	Copper alloy,5.0t,Ni Plated	銅合金,5.0厚,ニッケルメッキ	銅合金,5.0厚,鍍镍
Screws	結線ビス	螺丝	Steel,M10,Cr <sup>3+</sup> zn Plated	鋼,M10,亜鉛メッキ	鋼,M10,鍍锌
Other Data	他の情報	其他信息			
PCB Hole Diameter	PCB取付穴径	PCB板孔径	—		

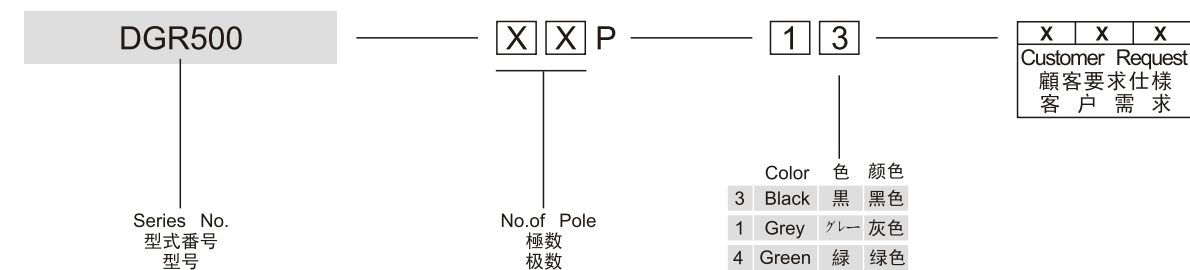
HOW TO ORDER 製品型番 订货方法



CE

Electrical	電気性能	电气性能	UL1059 & CSA C22.2 NO. 158		
Standard	安全規格	参考标准			
Use group	使用レベル	使用级别	<b>B</b>	<b>C</b>	<b>D</b>
Rated voltage	定格電圧	额定电压	600V	600V	—
Rated current	定格電流	额定电流	500A	500A	—
Wire range	電線径	导线线径	20-750kcmil		
Ring/Fork terminals	◎□ 裸圧着端子 ◎□ 预绝缘端子	◎□ 预绝缘端子	◎□ 70-300mm <sup>2</sup>		
With standing voltage	耐電圧	耐电压	AC2200V/1Min		
Insulation Resistance	絶縁阻抗	绝缘阻抗	500MΩ/DC500V		
Mechanical	機械性能	机械性能			
Torque Value	ネジ締めトルク	锁紧扭力	23.1N.m (210.0Lb.In)		
Ambient temperature	環境温度	环境温度	-40°C~+120°C		
Stripping length	電線剥き長	剥线长度	30-35mm		
Dimensions	寸法	尺寸			
Pitch	ピッチ	间距	60.0mm(2.36'')		
Poles	極数	极数	1P-XXP		
Material	材質及びメッキ	材质及电镀			
Housing	本体	塑件	PC, UL94V-0		
Terminal	導電板	端子	Copper alloy,6.0t,Ni Plated	銅合金,6.0厚,ニッケルメッキ	銅合金,6.0厚,鍍镍
Screws	結線ビス	螺丝	Steel,M12,Cr <sup>3+</sup> zn Plated	鋼,M12,亜鉛メッキ	鋼,M12,鍍锌
Other Data	他の情報	其他信息			
PCB Hole Diameter	PCB取付穴径	PCB板孔径	—		

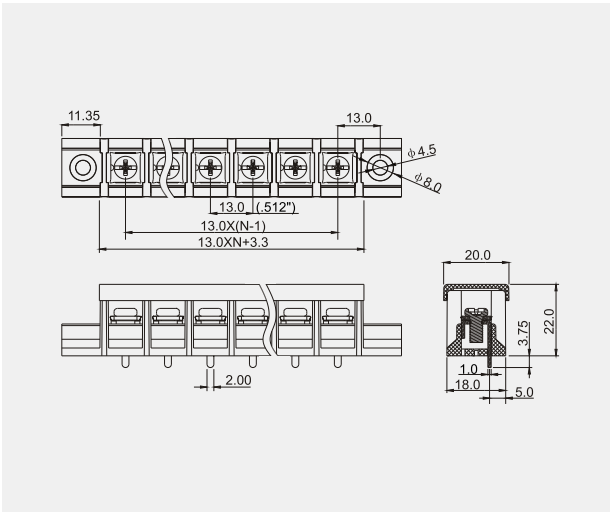
HOW TO ORDER 製品型番 订货方法



DEVELOPING  
**DG78S-A**



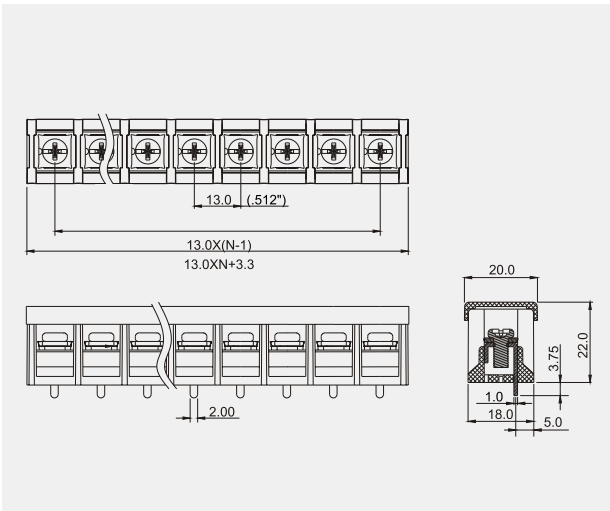
Use group	使用レベル	使用級別	B	C	D
Rated voltage	定格電圧	额定电压	300V	300V	600V
Rated current	定格電流	额定电流	40A	40A	5A
Wire range	電線径	导线线径	18-10AWG		
With standing voltage	耐電圧	耐电压	AC1600V/1Min		
Torque Value	ネジ締付トルク	锁紧扭力	1.2N.m (10.5Lb.In)		
Ambient temperature	环境温度	环境温度	-40°C~+105°C		
Housing	本体	塑件	PA66+23%GF, UL94V-0		
Terminal	導電板	端子	Copper alloy,0.8,Tin Plated	銅合金0.8厚,錫メッキ	銅合金0.8厚,鍍錫
Screws	結線ビス	螺丝	Steel,M4,Ni Plated	鋼,M4,ニッケルメッキ	鋼,M4,鍍錫



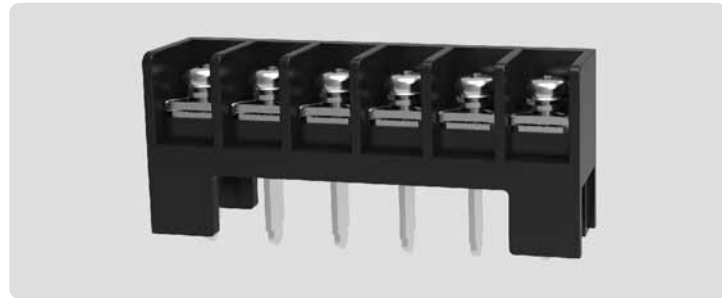
DEVELOPING  
**DG78S-B**



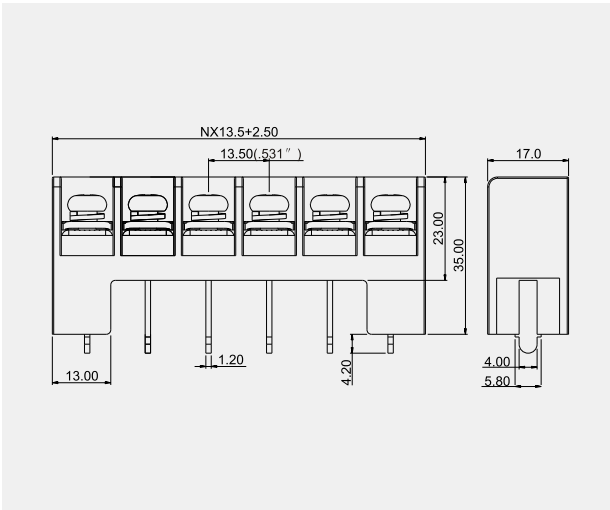
Use group	使用レベル	使用級別	B	C	D
Rated voltage	定格電圧	额定电压	300V	300V	600V
Rated current	定格電流	额定电流	40A	40A	5A
Wire range	電線径	导线线径	18-10AWG		
With standing voltage	耐電圧	耐电压	AC1600V/1Min		
Torque Value	ネジ締付トルク	锁紧扭力	1.2N.m (10.5Lb.In)		
Ambient temperature	环境温度	环境温度	-40°C~+105°C		
Housing	本体	塑件	PA66+23%GF, UL94V-0		
Terminal	導電板	端子	Copper alloy,0.8,Tin Plated	銅合金0.8厚,錫メッキ	銅合金0.8厚,鍍錫
Screws	結線ビス	螺丝	Steel,M4,Ni Plated	鋼,M4,ニッケルメッキ	鋼,M4,鍍錫



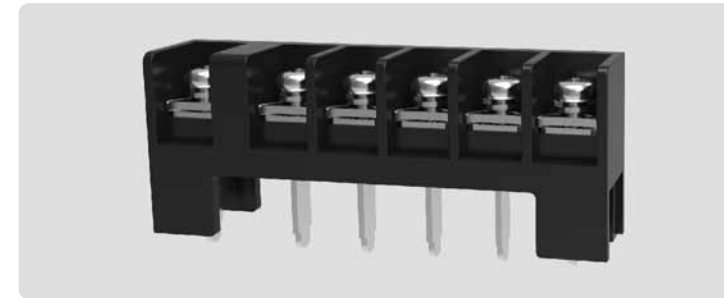
DEVELOPING  
**DG1350-B**



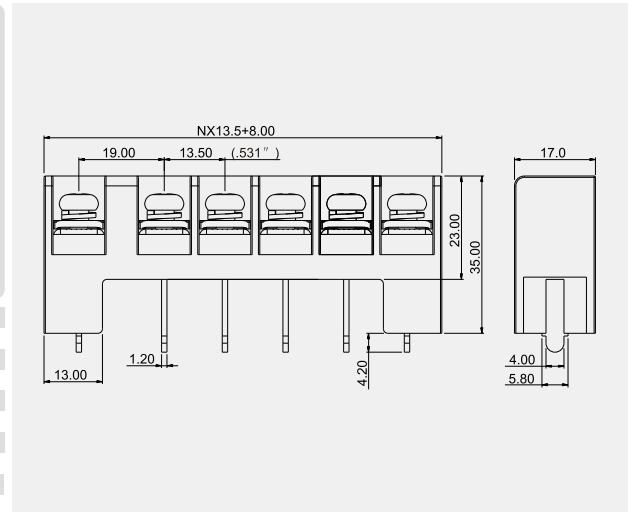
Use group	使用レベル	使用級別	B	C	D
Rated voltage	定格電圧	额定电压	300V	300V	300V
Rated current	定格電流	额定电流	20A	20A	10A
Wire range	電線径	导线线径	20-12AWG		
With standing voltage	耐電圧	耐电压	AC1600V/1Min		
Torque Value	ネジ締付トルク	锁紧扭力	2.0N.m (17.5Lb.In)		
Ambient temperature	环境温度	环境温度	-40°C~+105°C		
Housing	本体	塑件	PBT, UL94V-0		
Terminal	導電板	端子	Copper alloy,1.2,Tin Plated	銅合金1.2厚,錫メッキ	銅合金1.2厚,鍍錫
Screws	結線ビス	螺丝	Steel,M5,Ni Plated	鋼,M5,ニッケルメッキ	鋼,M5,鍍錫



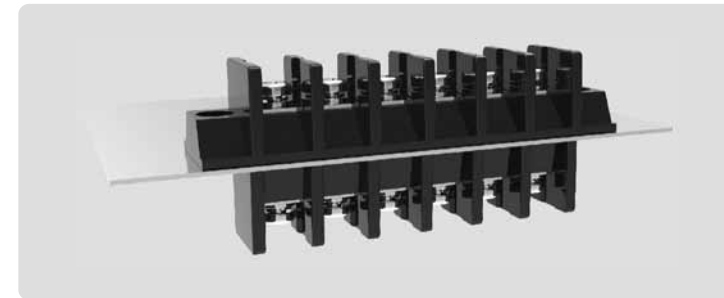
DEVELOPING  
**DG1350-B-10A**



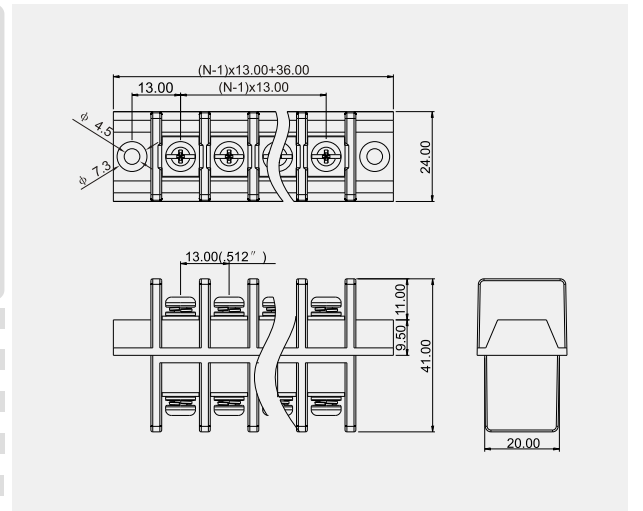
Use group	使用レベル	使用級別	B	C	D
Rated voltage	定格電圧	额定电压	300V	300V	300V
Rated current	定格電流	额定电流	20A	20A	10A
Wire range	電線径	导线线径	20-12AWG		
With standing voltage	耐電圧	耐电压	AC1600V/1Min		
Torque Value	ネジ締付トルク	锁紧扭力	2.0N.m (17.5Lb.In)		
Ambient temperature	环境温度	环境温度	-40°C~+105°C		
Housing	本体	塑件	PBT, UL94V-0		
Terminal	導電板	端子	Copper alloy,1.2,Tin Plated	銅合金1.2厚,錫メッキ	銅合金1.2厚,鍍錫
Screws	結線ビス	螺丝	Steel,M5,Ni Plated	鋼,M5,ニッケルメッキ	鋼,M5,鍍錫



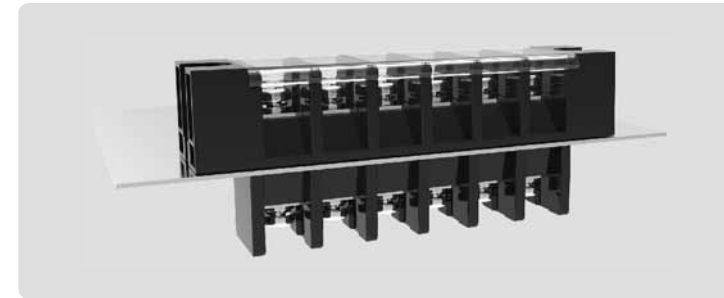
DEVELOPING  
**DG30-1-A**



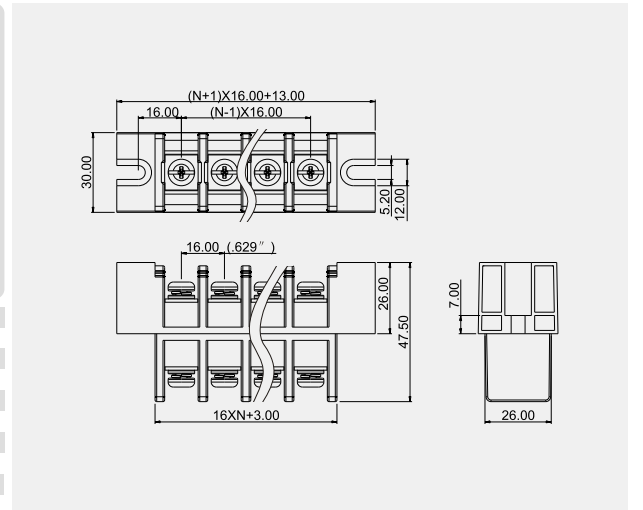
Use group	使用レベル	使用級別	B	C	D
Rated voltage	定格電圧	额定电压	300V	-	300V
Rated current	定格電流	额定电流	30A	-	10A
Wire range	電線径	导线线径	18-10AWG		
With standing voltage	耐電圧	耐电压	AC1600V/1Min		
Torque Value	ネジ締付トルク	锁紧扭力	1.2N.m (10.5Lb.In)		
Ambient temperature	环境温度	环境温度	-40°C~+105°C		
Housing	本体	塑件	PA66+25%GF, UL94V-0		
Terminal	導電板	端子	Copper alloy,1.0,Tin Plated	銅合金1.0厚,錫メッキ	銅合金1.0厚,鍍錫
Screws	結線ビス	螺丝	Steel,M4,Ni Plated	鋼,M4,ニッケルメッキ	鋼,M4,鍍錫



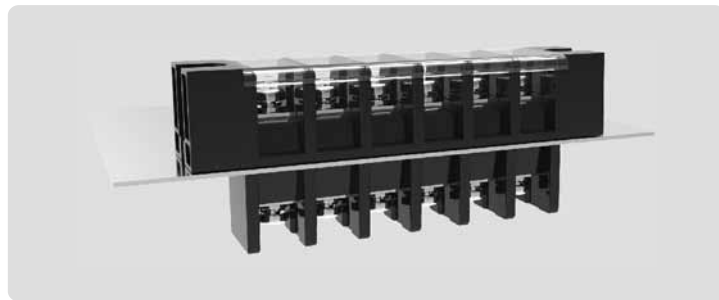
DEVELOPING  
**DG30-2-A**



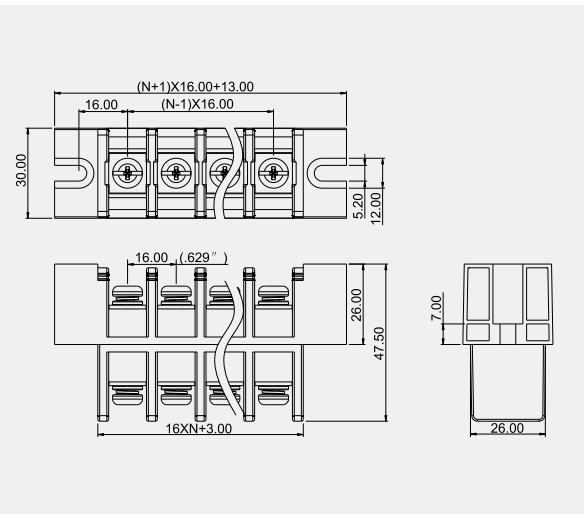
Use group	使用レベル	使用級別	B	C	D
Rated voltage	定格電圧	额定电压	300V	-	300V
Rated current	定格電流	额定电流	30A	-	10A
Wire range	電線径	导线线径	18-10AWG		
With standing voltage	耐電圧	耐电压	AC1600V/1Min		
Torque Value	ネジ締付トルク	锁紧扭力	1.2N.m (10.5Lb.In)		
Ambient temperature	环境温度	环境温度	-40°C~+105°C		
Housing	本体	塑件	PA66+25%GF, UL94V-0		
Terminal	導電板	端子	Copper alloy,1.0,Tin Plated	銅合金1.0厚,錫メッキ	銅合金1.0厚,鍍錫
Screws	結線ビス	螺丝	Steel,M4,Ni Plated	鋼,M4,ニッケルメッキ	鋼,M4,鍍錫



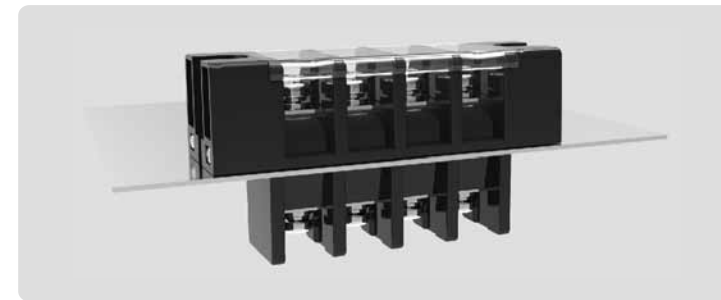
### DEVELOPING DG30-3-A



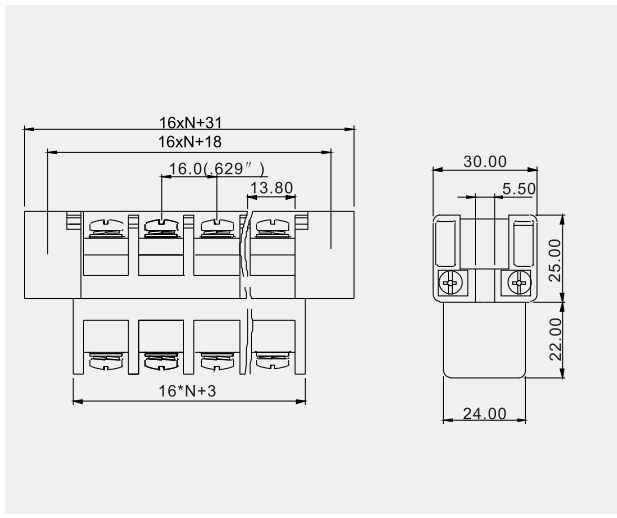
Use group	使用レベル	使用級別	B	C	D
Rated voltage	定格電圧	额定电压	600V	600V	600V
Rated current	定格電流	额定电流	115A	115A	5A
Wire range	電線径	导线线径		14-2AWG	
With standing voltage	耐電圧	耐电压		AC2200V/1Min	
Torque Value	ネジ締付トルク	锁紧扭力		2.0N.m (17.5Lb.In)	
Ambient temperature	环境温度	环境温度		-40°C→+105°C	
Housing	本体	塑件		PA66+25%GF, UL94V-0	
Terminal	導電板	端子	Copper alloy, 0.8T, Tin Plated	銅合金0.8厚, 錫メッキ	銅合金0.8厚, 鍍銀
Screws	結線ビス	螺丝	Steel, M5, Ni Plated	鋼, M5, ニッケルメッキ	鋼, M5, 鍍銀



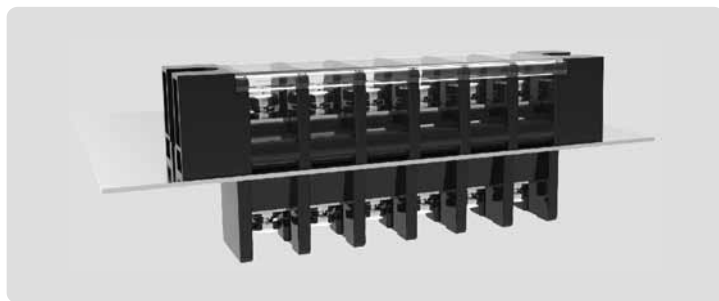
### DEVELOPING DGA75-A



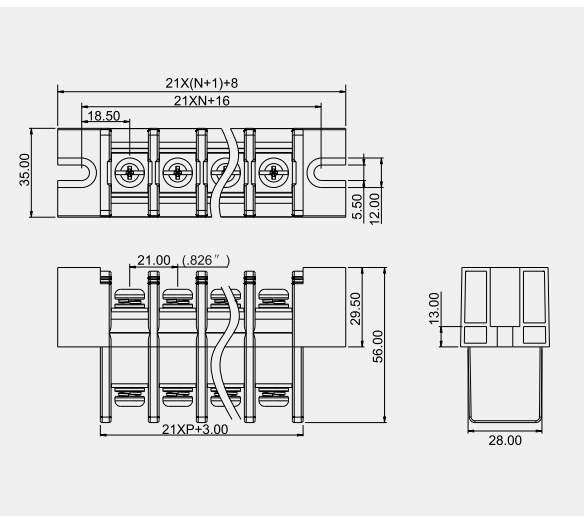
Use group	使用レベル	使用級別	B	C	D
Rated voltage	定格電圧	额定电压	600V	600V	600V
Rated current	定格電流	额定电流	75A	75A	5A
Wire range	電線径	导线线径		22-4AWG	
With standing voltage	耐電圧	耐电压		AC2200V/1Min	
Torque Value	ネジ締付トルク	锁紧扭力		2.5N.m (22.15Lb.In)	
Ambient temperature	环境温度	环境温度		-30°C→+120°C	
Housing	本体	塑件		PBT, UL94V-0	
Terminal	導電板	端子	Copper alloy, 1.0T, Tin Plated	銅合金1.0厚, 錫メッキ	銅合金1.0厚, 鍍銀
Screws	結線ビス	螺丝	Steel, M6, Ni Plated	鋼, M6, ニッケルメッキ	鋼, M6, 鍍銀



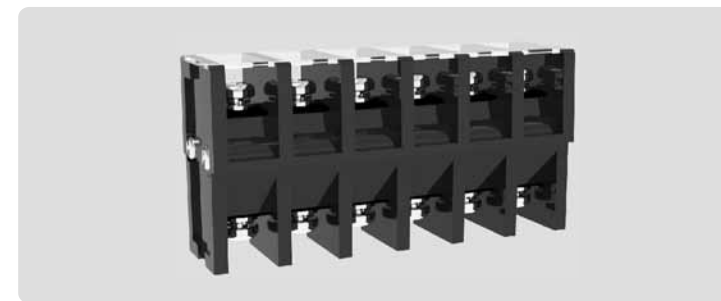
### DEVELOPING DG30-4-A



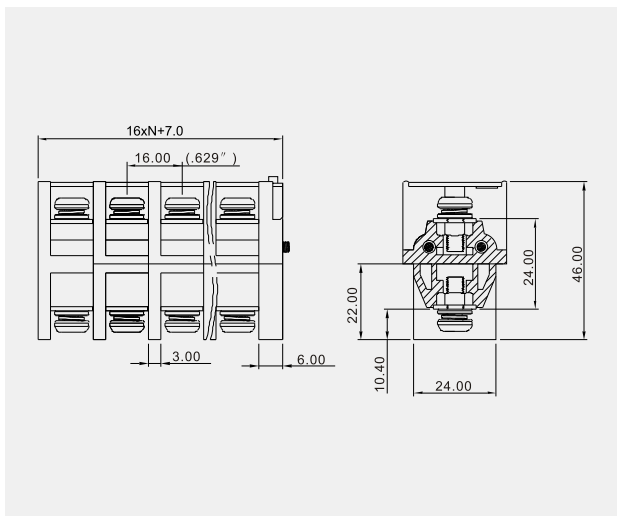
Use group	使用レベル	使用級別	B	C	D
Rated voltage	定格電圧	额定电压	600V	600V	-
Rated current	定格電流	额定电流	130A	130A	-
Wire range	電線径	导线线径		14-2AWG	
With standing voltage	耐電圧	耐电压		AC1600V/1Min	
Torque Value	ネジ締付トルク	锁紧扭力		2.5N.m (22.15Lb.In)	
Ambient temperature	环境温度	环境温度		-40°C→+105°C	
Housing	本体	塑件		PA66+25%GF, UL94V-0	
Terminal	導電板	端子	Copper alloy, 1.0T, Tin Plated	銅合金1.0厚, 錫メッキ	銅合金1.0厚, 鍍銀
Screws	結線ビス	螺丝	Steel, M6, Ni Plated	鋼, M6, ニッケルメッキ	鋼, M6, 鍍銀



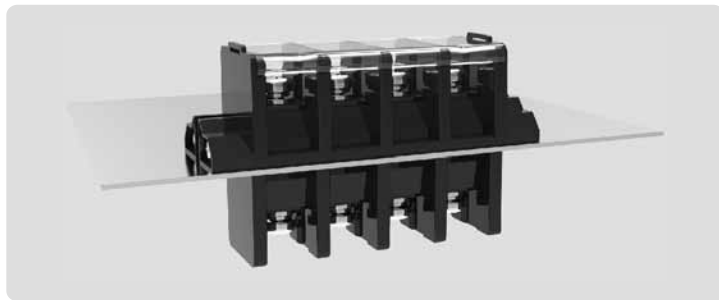
### DEVELOPING DGA75-B



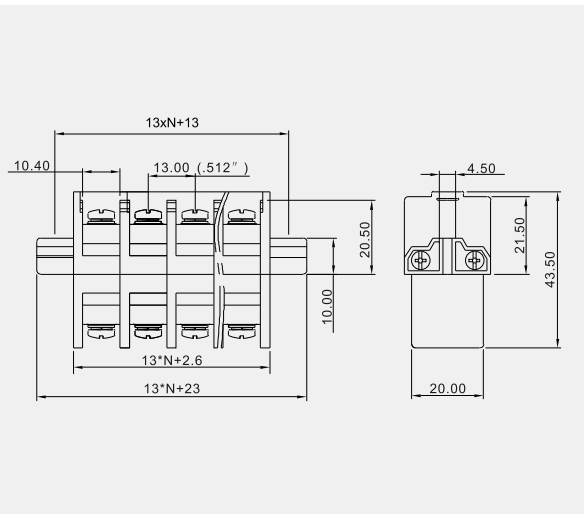
Use group	使用レベル	使用級別	B	C	D
Rated voltage	定格電圧	额定电压	300V	-	300V
Rated current	定格電流	额定电流	101A	-	10A
Wire range	電線径	导线线径		10-2AWG	
With standing voltage	耐電圧	耐电压		AC1600V/1Min	
Torque Value	ネジ締付トルク	锁紧扭力		2.5N.m (22.15Lb.In)	
Ambient temperature	环境温度	环境温度		-30°C→+125°C	
Housing	本体	塑件		PBT, UL94V-0	
Terminal	導電板	端子	Copper alloy, 1.0T, Tin Plated	銅合金1.0厚, 錫メッキ	銅合金1.0厚, 鍍銀
Screws	結線ビス	螺丝	Steel, M6, Ni Plated	鋼, M6, ニッケルメッキ	鋼, M6, 鍍銀



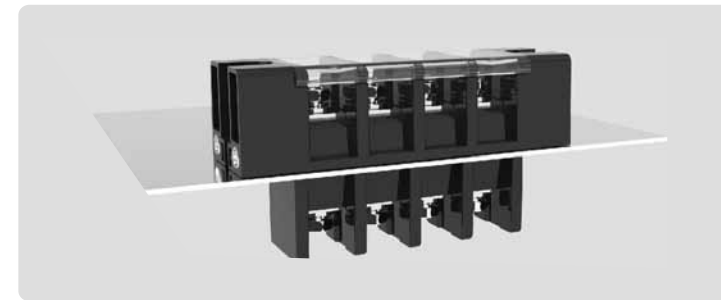
### DEVELOPING DGA40-A



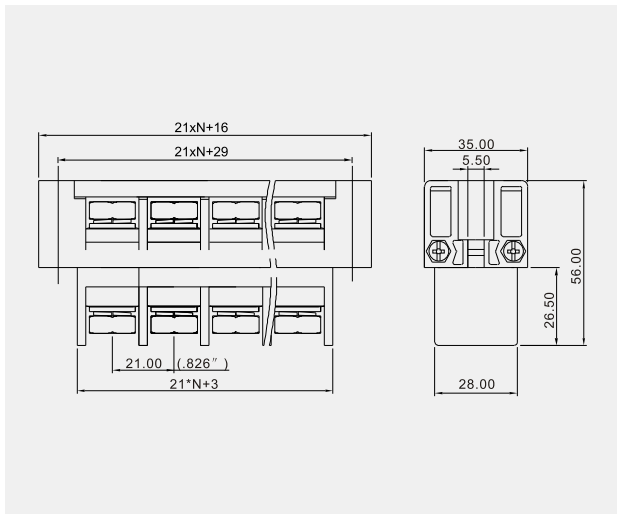
Use group	使用レベル	使用級別	B	C	D
Rated voltage	定格電圧	额定电压	600V	600V	600V
Rated current	定格電流	额定电流	40A	40A	5A
Wire range	電線径	导线线径		22-8AWG	
With standing voltage	耐電圧	耐电压		AC2200V/1Min	
Torque Value	ネジ締付トルク	锁紧扭力		2.0N.m (17.5Lb.In)	
Ambient temperature	环境温度	环境温度		-30°C→+120°C	
Housing	本体	塑件		PBT, UL94V-0	
Terminal	導電板	端子	Copper alloy, 1.0T, Tin Plated	銅合金1.0厚, 錫メッキ	銅合金1.0厚, 鍍銀
Screws	結線ビス	螺丝	Steel, M5, Ni Plated	鋼, M5, ニッケルメッキ	鋼, M5, 鍍銀



### DEVELOPING DGA100-A

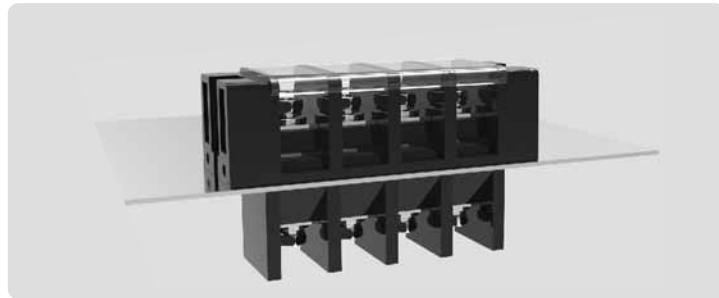


Use group	使用レベル	使用級別	B	C	D
Rated voltage	定格電圧	额定电压	600V	600V	600V
Rated current	定格電流	额定电流	101A	101A	5A
Wire range	電線径	导线线径		20-2AWG	
With standing voltage	耐電圧	耐电压		AC2200V/1Min	
Torque Value	ネジ締付トルク	锁紧扭力		2.5N.m (22.15Lb.In)	
Ambient temperature	环境温度	环境温度		-30°C→+120°C	
Housing	本体	塑件		PBT, UL94V-0	
Terminal	導電板	端子	Copper alloy, 1.0T, Tin Plated	銅合金1.0厚, 錫メッキ	銅合金1.0厚, 鍍銀
Screws	結線ビス	螺丝	Steel, M6, Ni Plated	鋼, M6, ニッケルメッキ	鋼, M6, 鍍銀

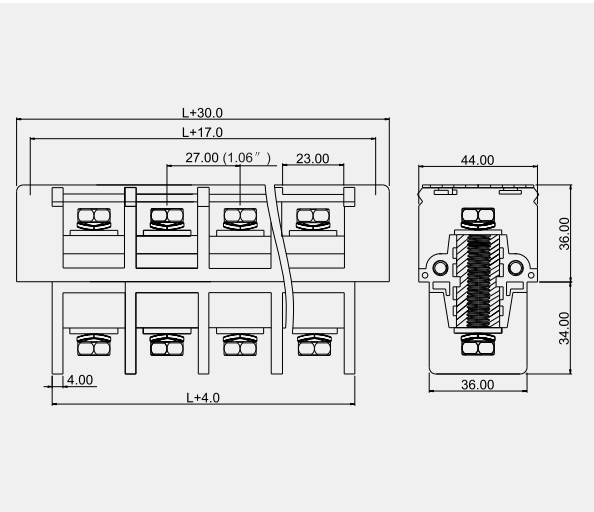




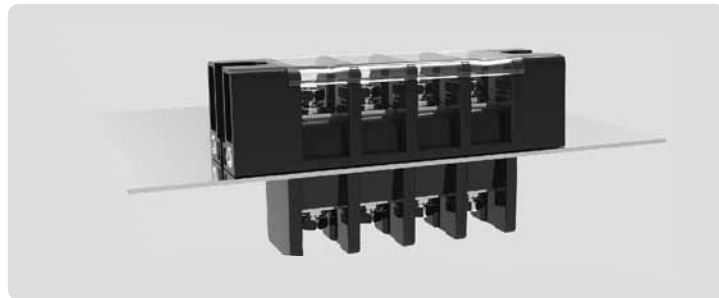
### DEVELOPING DGA150-A



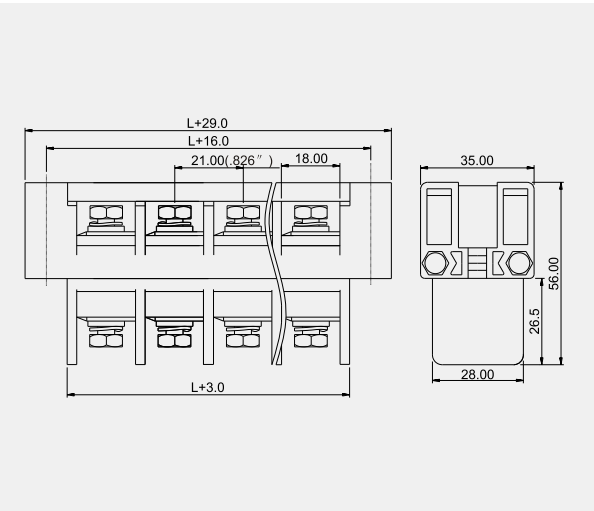
Use group	使用レベル	使用级别	B	C	D
Rated voltage	定格電圧	额定电压	600V	600V	-
Rated current	定格電流	额定电流	150A	150A	-
Wire range	電線径	导线线径		30-1/0AWG	
With standing voltage	耐電圧	耐电压		AC2200V/1Min	
Torque Value	ネジ締付トルク	锁紧扭力		2.5N.m (22.15Lb.In)	
Ambient temperature	环境温度	环境温度		-30°C~+120°C	
Housing	本体	塑件		PBT, UL94V-0	
Terminal	導電板	端子	Copper alloy, 1.0t, Tin Plated	銅合金1.0厚, 錫メッキ	銅合金1.0厚, 鍍錫
Screws	結線ビス	螺丝	Steel, M6, Ni Plated	鋼, M6, ニッケルメッキ	鋼, M6, 鍍錫



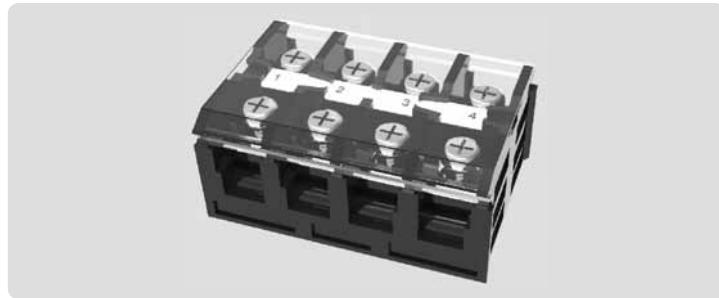
### DEVELOPING DGA180-A



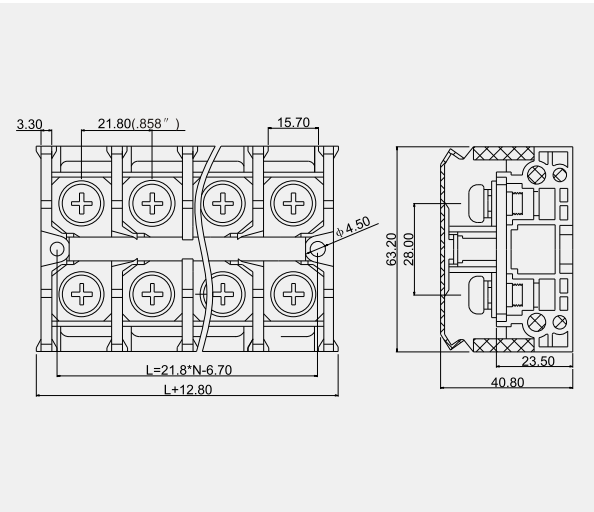
Use group	使用レベル	使用级别	B	C	D
Rated voltage	定格電圧	额定电压	300V	300V	300V
Rated current	定格電流	额定电流	180A	180A	10A
Wire range	電線径	导线线径		20-1/0AWG	
With standing voltage	耐電圧	耐电压		AC2200V/1Min	
Torque Value	ネジ締付トルク	锁紧扭力		2.5N.m (22.15Lb.In)	
Ambient temperature	环境温度	环境温度		-30°C~+120°C	
Housing	本体	塑件		PBT, UL94V-0	
Terminal	導電板	端子	Copper alloy, 1.0t, Tin Plated	銅合金1.0厚, 錫メッキ	銅合金1.0厚, 鍍錫
Screws	結線ビス	螺丝	Steel, M6, Ni Plated	鋼, M6, ニッケルメッキ	鋼, M6, 鍍錫



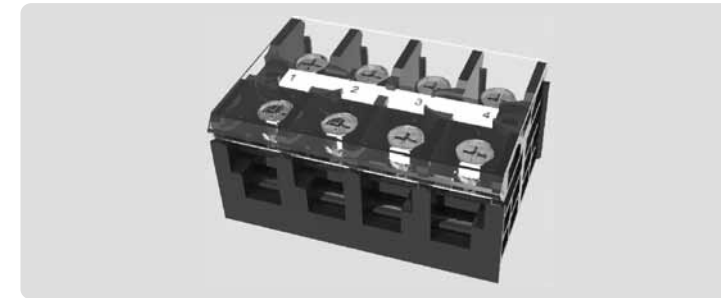
### DEVELOPING DGB100-A



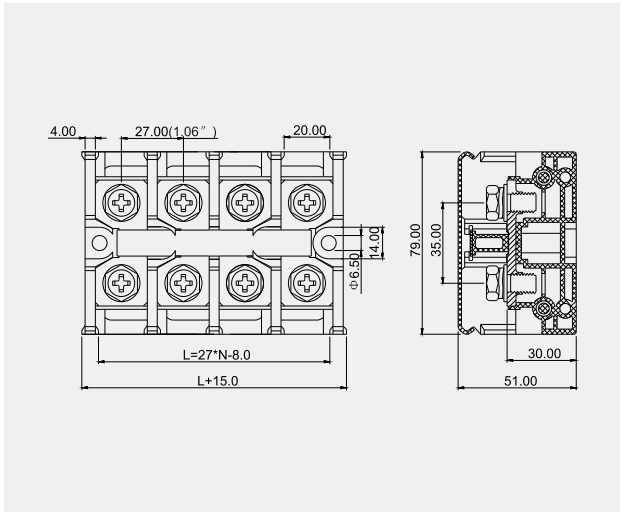
Use group	使用レベル	使用级别	B	C	D
Rated voltage	定格電圧	额定电压	600V	600V	-
Rated current	定格電流	额定电流	101A	1101A	-
Wire range	電線径	导线线径		20-2AWG	
With standing voltage	耐電圧	耐电压		AC2200V/1Min	
Torque Value	ネジ締付トルク	锁紧扭力		2.5N.m (22.15Lb.In)	
Ambient temperature	环境温度	环境温度		-40°C~+120°C	
Housing	本体	塑件		PC, UL94V-0	
Terminal	導電板	端子	Copper alloy, 1.0t, Tin Plated	銅合金1.0厚, 錫メッキ	銅合金1.0厚, 鍍錫
Screws	結線ビス	螺丝	Steel, M6, Cr <sup>3+</sup> Zn Plated	鋼, M6, 亜鉛メッキ	鋼, M6, 鍍錫



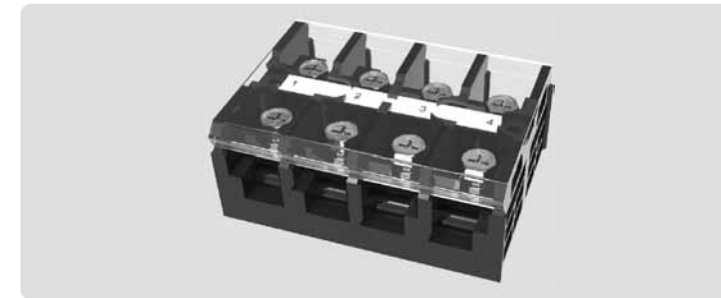
### DEVELOPING DGB150-A



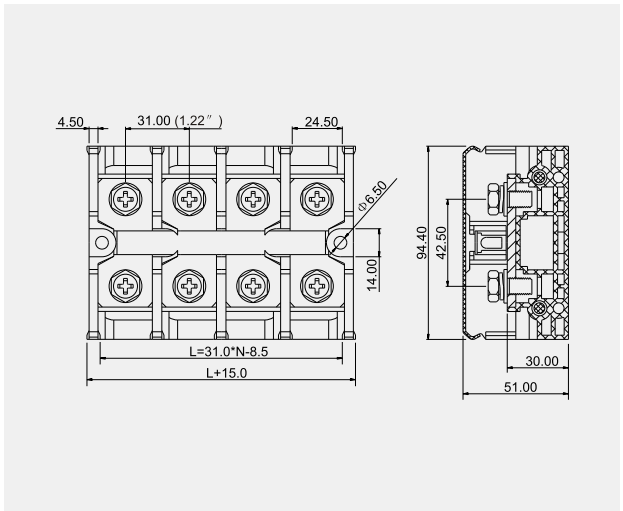
Use group	使用レベル	使用级别	B	C	D
Rated voltage	定格電圧	额定电压	600V	600V	-
Rated current	定格電流	额定电流	150A	150A	-
Wire range	電線径	导线线径		20-2/0AWG	
With standing voltage	耐電圧	耐电压		AC2200V/1Min	
Torque Value	ネジ締付トルク	锁紧扭力		3.5N.m (31.0Lb.In)	
Ambient temperature	环境温度	环境温度		-40°C~+120°C	
Housing	本体	塑件		PC, UL94V-0	
Terminal	導電板	端子	Copper alloy, 1.0t, Ni Plated	銅合金1.0厚, ニッケルメッキ	銅合金1.0厚, 鍍錫
Screws	結線ビス	螺丝	Steel, M8, Cr <sup>3+</sup> Zn Plated	鋼, M8, 亜鉛メッキ	鋼, M8, 鍍錫



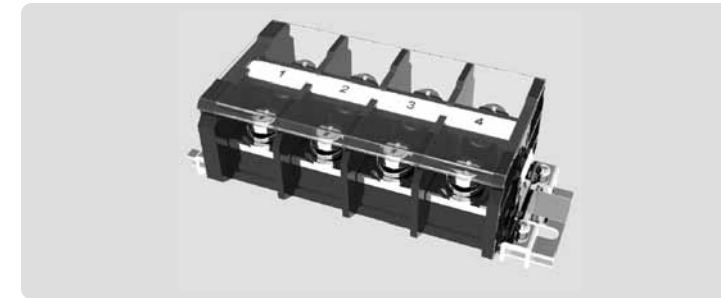
### DEVELOPING DGB200-A



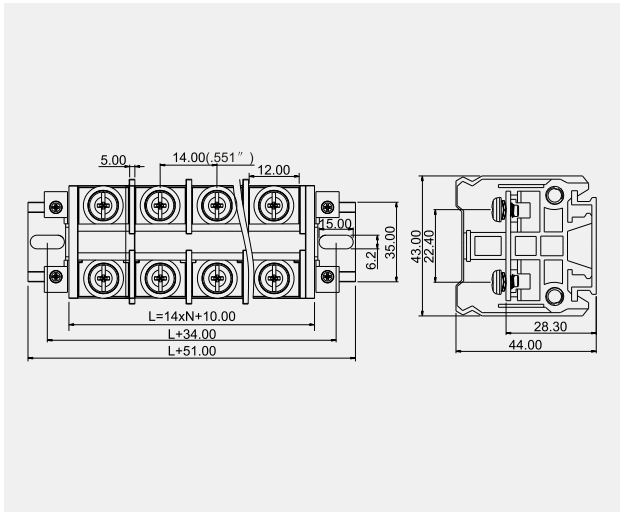
Use group	使用レベル	使用级别	B	C	D
Rated voltage	定格電圧	额定电压	600V	600V	-
Rated current	定格電流	额定电流	200A	200A	-
Wire range	電線径	导线线径		20-4/0AWG	
With standing voltage	耐電圧	耐电压		AC2200V/1Min	
Torque Value	ネジ締付トルク	锁紧扭力		3.5N.m (31.0Lb.In)	
Ambient temperature	环境温度	环境温度		-40°C~+120°C	
Housing	本体	塑件		PC, UL94V-0	
Terminal	導電板	端子	Copper alloy, 1.0t, Ni Plated	銅合金1.0厚, ニッケルメッキ	銅合金1.0厚, 鍍錫
Screws	結線ビス	螺丝	Steel, M8, Cr <sup>3+</sup> Zn Plated	鋼, M8, 亜鉛メッキ	鋼, M8, 鍍錫



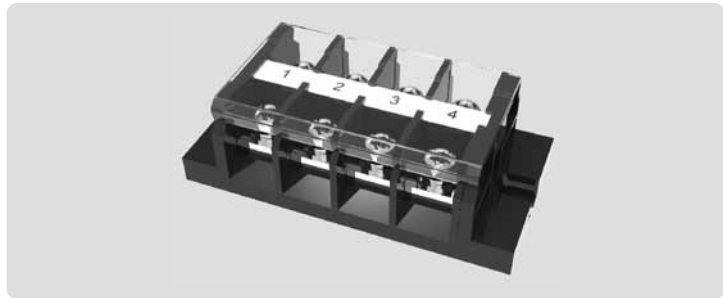
### DEVELOPING DGR40



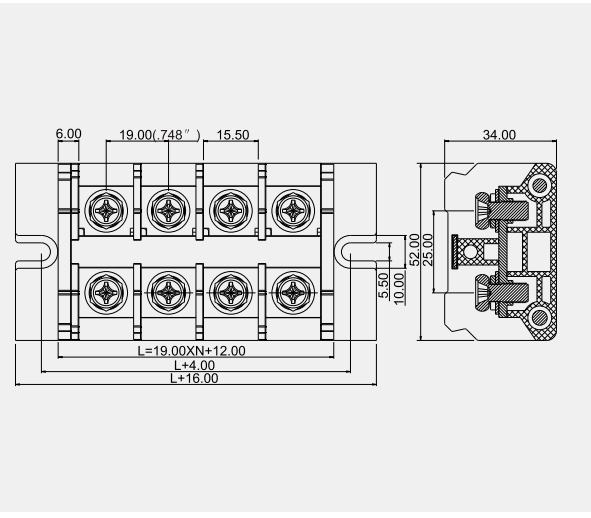
Use group	使用レベル	使用级别	B	C	D
Rated voltage	定格電圧	额定电压	600V	600V	-
Rated current	定格電流	额定电流	40A	40A	-
Wire range	電線径	导线线径		22-8AWG	
With standing voltage	耐電圧	耐电压		AC2200V/1Min	
Torque Value	ネジ締付トルク	锁紧扭力		2.0N.m (17.5Lb.In)	
Ambient temperature	环境温度	环境温度		-40°C~+120°C	
Housing	本体	塑件		PC, UL94V-0	
Terminal	導電板	端子	Copper alloy, 1.0t, Ni Plated	銅合金1.0厚, ニッケルメッキ	銅合金1.0厚, 鍍錫
Screws	結線ビス	螺丝	Steel, M5, Cr <sup>3+</sup> Zn Plated	鋼, M5, 亜鉛メッキ	鋼, M5, 鍍錫



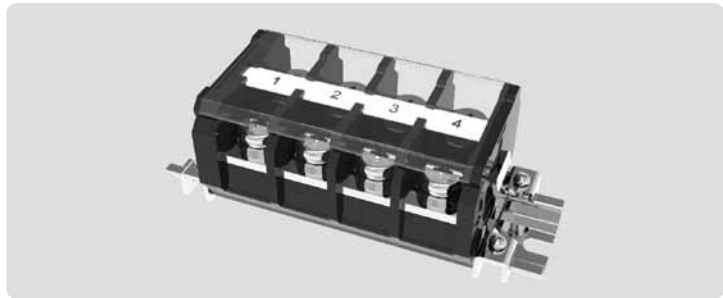
### DEVE LOBIN® DGR60-30A



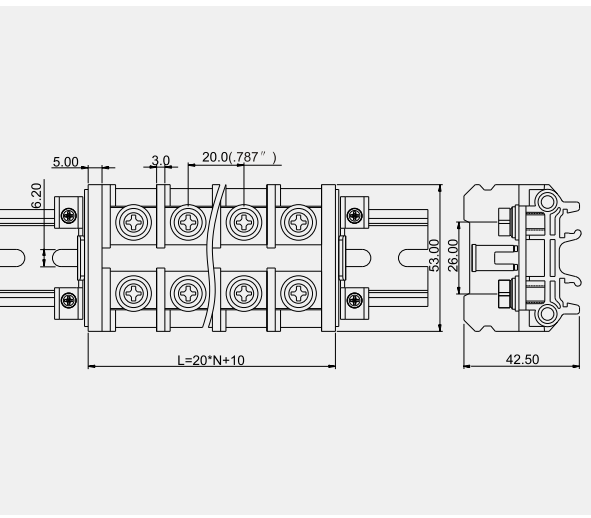
Use group	使用レベル	使用级别	B	C	D
Rated voltage	定格電圧	额定电压	600V	600V	-
Rated current	定格電流	额定电流	80A	80A	-
Wire range	電線径	导线线径		20-4AWG	
With standing voltage	耐電圧	耐电压		AC2200V/1Min	
Torque Value	ネジ締付トルク	锁紧扭力		2.5N.m (22.15Lb.In)	
Ambient temperature	环境温度	环境温度		-40°C~+120°C	
Housing	本体	塑件		PC, UL94V-0	
Terminal	導電板	端子	Copper alloy, 2.5t, Ni Plated	銅合金25厚, ニッケルメッキ	銅合金, 2.5厚, 鍍銀
Screws	結線ビス	螺丝	Steel, M6, Cr <sup>3+</sup> Zn Plated	鋼, M6, 亜鉛メッキ	鋼, M6, 鍍鋅



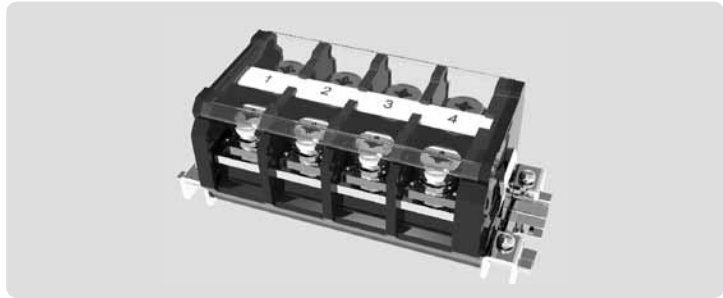
### DEVE LOBIN® DGR80-50A



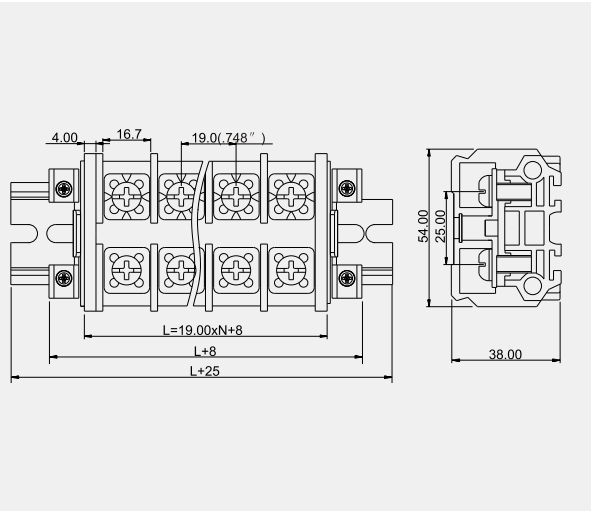
Use group	使用レベル	使用级别	B	C	D
Rated voltage	定格電圧	额定电压	600V	600V	-
Rated current	定格電流	额定电流	80A	80A	-
Wire range	電線径	导线线径		20-4AWG	
With standing voltage	耐電圧	耐电压		AC2200V/1Min	
Torque Value	ネジ締付トルク	锁紧扭力		2.5N.m (22.15Lb.In)	
Ambient temperature	环境温度	环境温度		-40°C~+120°C	
Housing	本体	塑件		PC, UL94V-0	
Terminal	導電板	端子	Copper alloy, 2.5t, Ni Plated	銅合金25厚, ニッケルメッキ	銅合金, 2.5厚, 鍍銀
Screws	結線ビス	螺丝	Steel, M6, Cr <sup>3+</sup> Zn Plated	鋼, M6, 亜鉛メッキ	鋼, M6, 鍍鋅



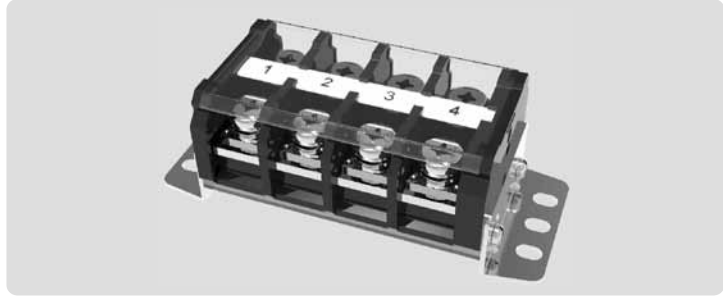
### DEVE LOBIN® DGR80



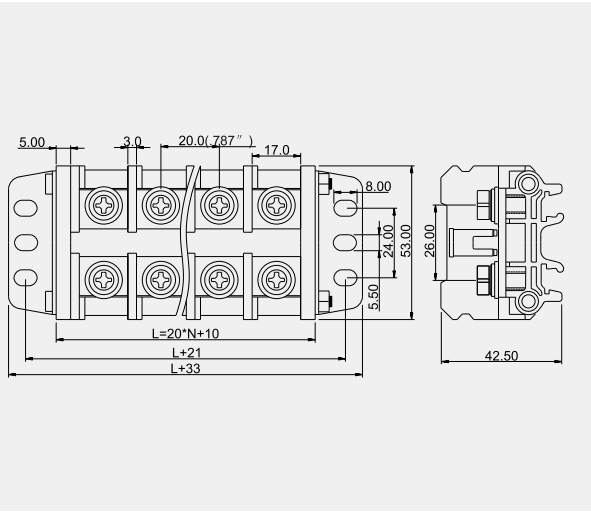
Use group	使用レベル	使用级别	B	C	D
Rated voltage	定格電圧	额定电压	600V	600V	-
Rated current	定格電流	额定电流	80A	80A	-
Wire range	電線径	导线线径		20-4AWG	
With standing voltage	耐電圧	耐电压		AC2200V/1Min	
Torque Value	ネジ締付トルク	锁紧扭力		2.5N.m (22.15Lb.In)	
Ambient temperature	环境温度	环境温度		-40°C~+120°C	
Housing	本体	塑件		PC, UL94V-0	
Terminal	導電板	端子	Copper alloy, 2.5t, Ni Plated	銅合金25厚, ニッケルメッキ	銅合金, 2.5厚, 鍍銀
Screws	結線ビス	螺丝	Steel, M6, Cr <sup>3+</sup> Zn Plated	鋼, M6, 亜鉛メッキ	鋼, M6, 鍍鋅



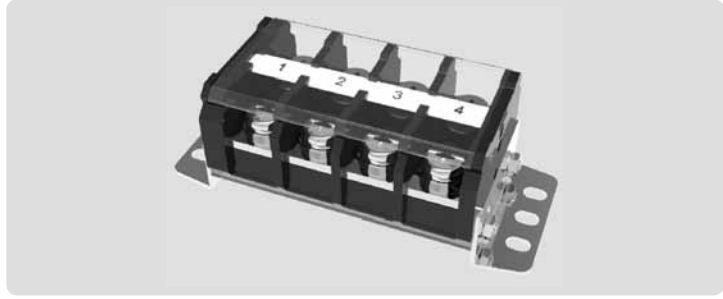
### DEVE LOBIN® DGR80-60A



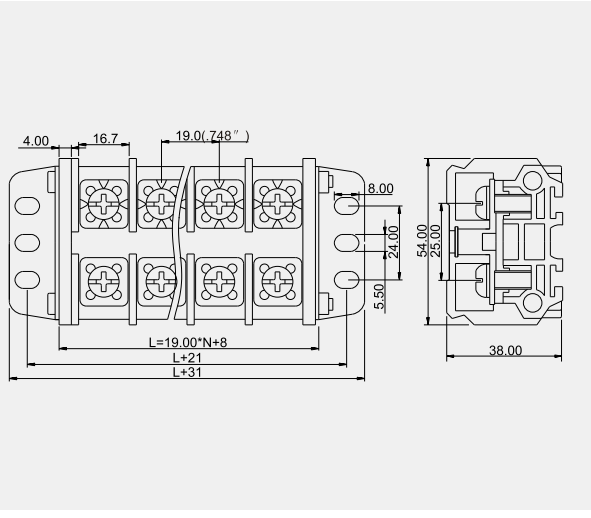
Use group	使用レベル	使用级别	B	C	D
Rated voltage	定格電圧	额定电压	600V	600V	-
Rated current	定格電流	额定电流	80A	80A	-
Wire range	電線径	导线线径		20-4AWG	
With standing voltage	耐電圧	耐电压		AC2200V/1Min	
Torque Value	ネジ締付トルク	锁紧扭力		2.5N.m (22.15Lb.In)	
Ambient temperature	环境温度	环境温度		-40°C~+120°C	
Housing	本体	塑件		PC, UL94V-0	
Terminal	導電板	端子	Copper alloy, 2.5t, Ni Plated	銅合金25厚, ニッケルメッキ	銅合金, 2.5厚, 鍍銀
Screws	結線ビス	螺丝	Steel, M6, Cr <sup>3+</sup> Zn Plated	鋼, M6, 亜鉛メッキ	鋼, M6, 鍍鋅



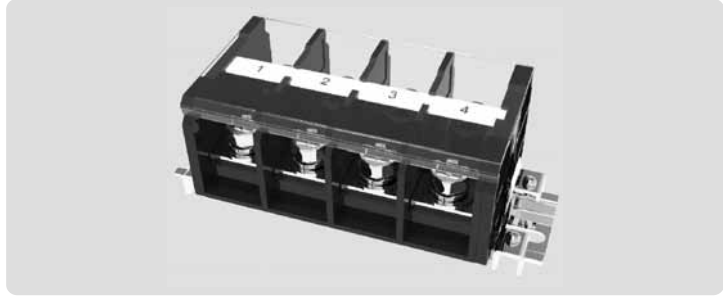
### DEVE LOBIN® DGR80-20A



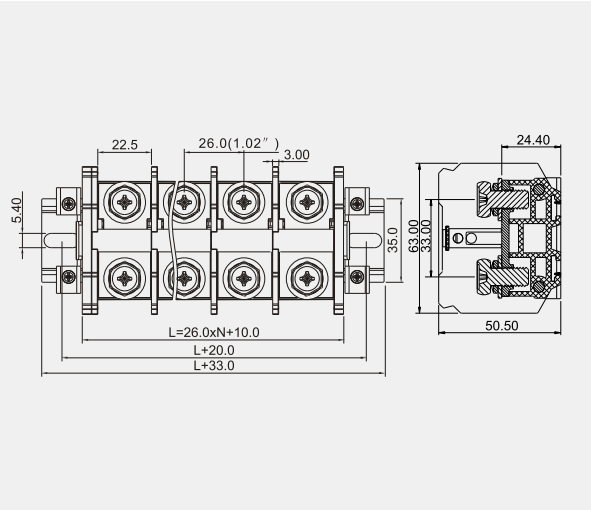
Use group	使用レベル	使用级别	B	C	D
Rated voltage	定格電圧	额定电压	600V	600V	-
Rated current	定格電流	额定电流	80A	80A	-
Wire range	電線径	导线线径		20-4AWG	
With standing voltage	耐電圧	耐电压		AC2200V/1Min	
Torque Value	ネジ締付トルク	锁紧扭力		2.5N.m (22.15Lb.In)	
Ambient temperature	环境温度	环境温度		-40°C~+120°C	
Housing	本体	塑件		PC, UL94V-0	
Terminal	導電板	端子	Copper alloy, 2.5t, Ni Plated	銅合金25厚, ニッケルメッキ	銅合金, 2.5厚, 鍍銀
Screws	結線ビス	螺丝	Steel, M6, Cr <sup>3+</sup> Zn Plated	鋼, M6, 亜鉛メッキ	鋼, M6, 鍍鋅



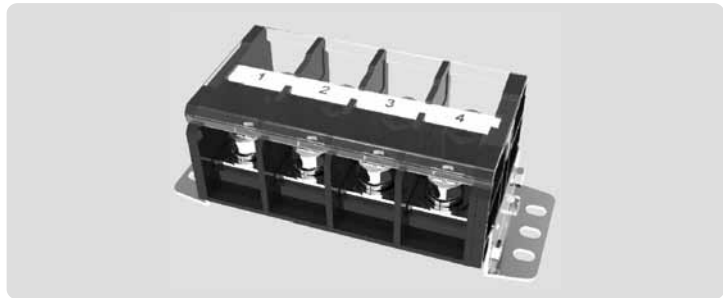
### DEVE LOBIN® DGR100-50A



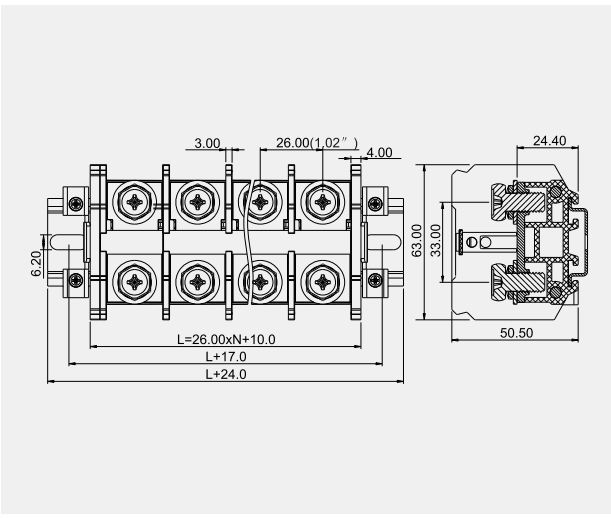
Use group	使用レベル	使用级别	B	C	D
Rated voltage	定格電圧	额定电压	600V	600V	-
Rated current	定格電流	额定电流	101A	101A	-
Wire range	電線径	导线线径		20-2AWG	
With standing voltage	耐電圧	耐电压		AC2200V/1Min	
Torque Value	ネジ締付トルク	锁紧扭力		3.5N.m (31.0Lb.In)	
Ambient temperature	环境温度	环境温度		-40°C~+120°C	
Housing	本体	塑件		PC, UL94V-0	
Terminal	導電板	端子	Copper alloy, 3.0t, Ni Plated	銅合金30厚, ニッケルメッキ	銅合金, 3.0厚, 鍍銀
Screws	結線ビス	螺丝	Steel, M8, Cr <sup>3+</sup> Zn Plated	鋼, M8, 亜鉛メッキ	鋼, M8, 鍍鋅



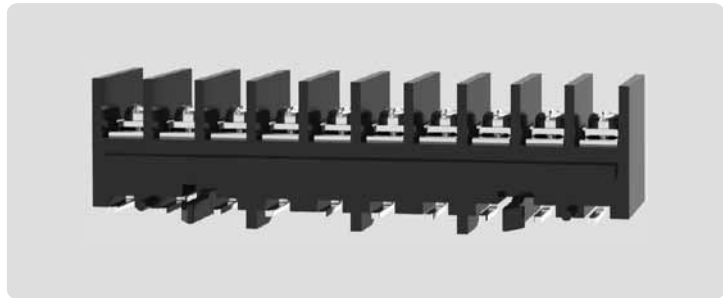
### DEVE LOBIN® DGR100-60A



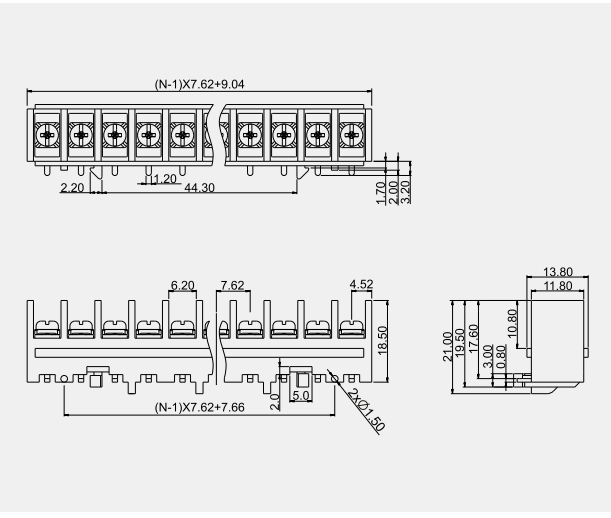
Use group	使用レベル	使用級別	B	C	D
Rated voltage	定格電圧	額定電圧	600V	600V	-
Rated current	定格電流	額定電流	101A	101A	-
Wire range	電線径	导线线径		20-2AWG	
With standing voltage	耐電圧	耐电压		AC2200V/1Min	
Torque Value	ネジ締付トルク	锁紧扭力		3.5N.m (31.0Lb.In)	
Ambient temperature	环境温度	环境温度		-40°C~+120°C	
Housing	本体	塑件		PC, UL94V-0	
Terminal	導電板	端子	Copper alloy, 3.0t, Ni Plated	銅合金30厚, ニッケルメッキ	銅合金, 3.0厚, 鍍錫
Screws	結線ビス	螺丝	Steel, M8, Cr <sup>2+</sup> Zn Plated	鋼, M8, 亜鉛メッキ	鋼, M8, 鍍錫



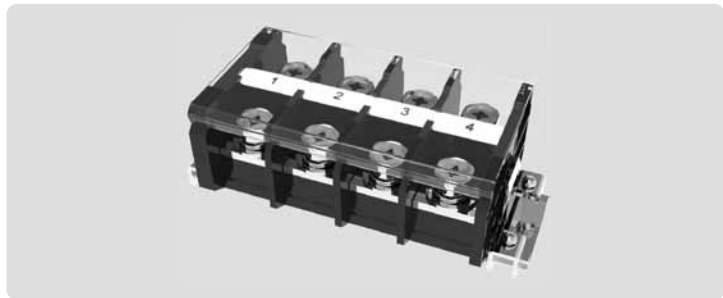
### DEVE LOBIN® DG25R-E-B



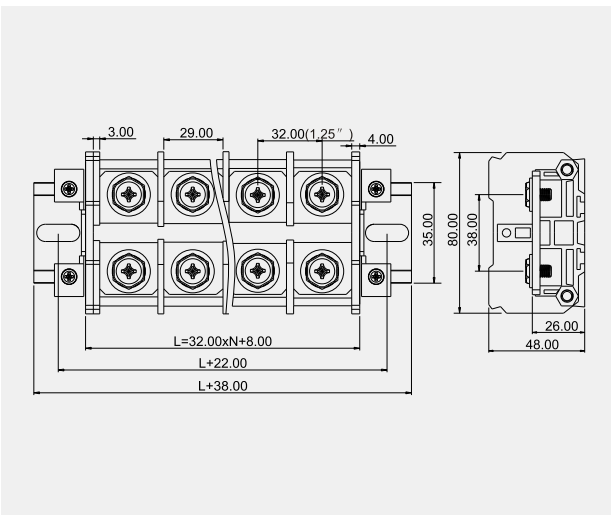
Use group	使用レベル	使用級別	B	C	D
Rated voltage	定格電圧	額定電圧	300V	-	300V
Rated current	定格電流	額定電流	15A	-	10A
Wire range	電線径	导线线径		22-14AWG	
With standing voltage	耐電圧	耐电压		AC1600V/1Min	
Torque Value	ネジ締付トルク	锁紧扭力		0.5N.m (4.4Lb.In)	
Ambient temperature	环境温度	环境温度		-40°C~+105°C	
Housing	本体	塑件		PA66, UL94V-0	
Terminal	導電板	端子	Copper alloy, 0.8t, Tin Plated	銅合金08厚, 錫メッキ	銅合金, 0.8厚, 鍍錫
Screws	結線ビス	螺丝	Steel, M3, Ni Plated	鋼, M3, ニッケルメッキ	鋼, M3, 鍍錫



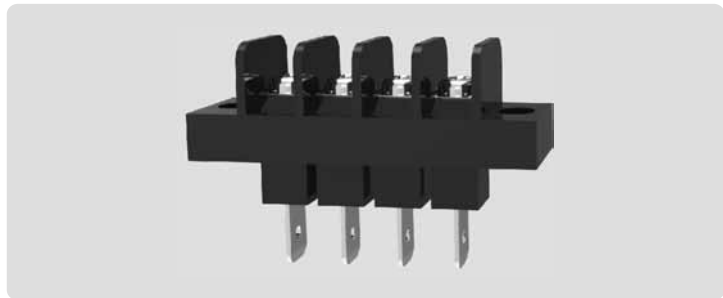
### DEVE LOBIN® DGR175



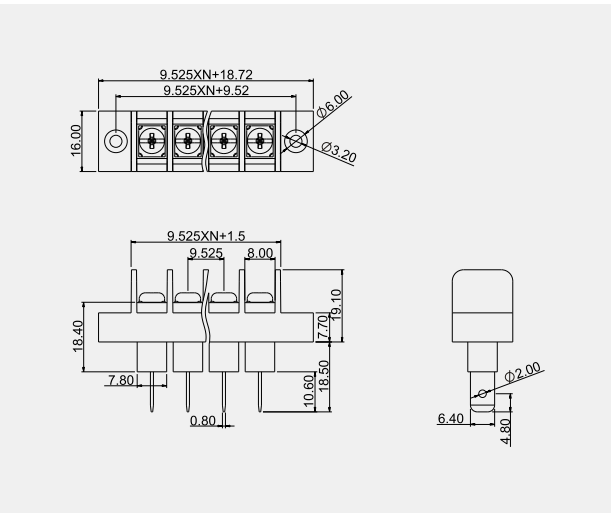
Use group	使用レベル	使用級別	B	C	D
Rated voltage	定格電圧	額定電圧	600V	600V	-
Rated current	定格電流	額定電流	175A	175A	-
Wire range	電線径	导线线径		20-3/0AWG	
With standing voltage	耐電圧	耐电压		AC2200V/1Min	
Torque Value	ネジ締付トルク	锁紧扭力		3.5N.m (31.0Lb.In)	
Ambient temperature	环境温度	环境温度		-40°C~+120°C	
Housing	本体	塑件		PC, UL94V-0	
Terminal	導電板	端子	Copper alloy, 3.5t, Ni Plated	銅合金35厚, ニッケルメッキ	銅合金, 3.5厚, 鍍錫
Screws	結線ビス	螺丝	Steel, M8, Cr <sup>2+</sup> Zn Plated	鋼, M8, 亜鉛メッキ	鋼, M8, 鍍錫



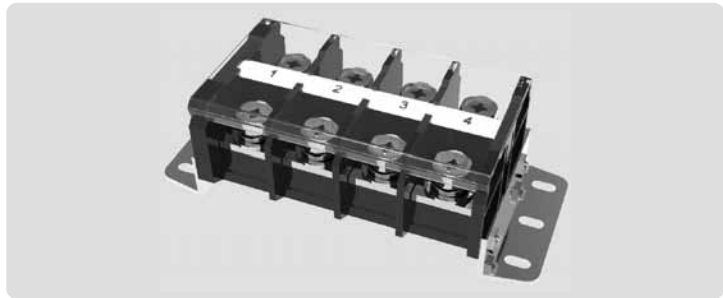
### DEVE LOBIN® DG45HH-A



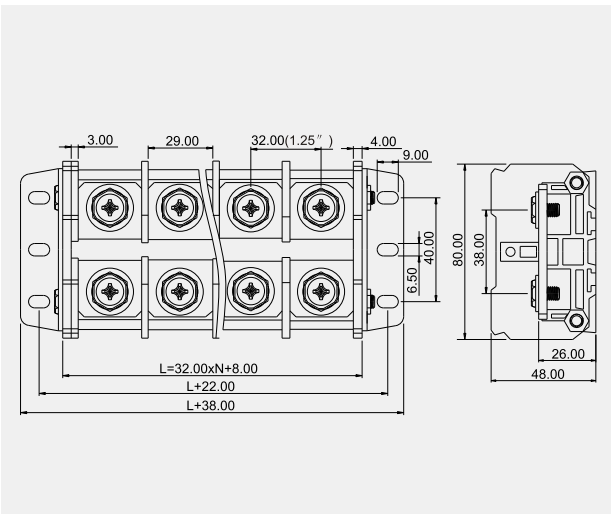
Use group	使用レベル	使用級別	B	C	D
Rated voltage	定格電圧	額定電圧	300V	-	300V
Rated current	定格電流	額定電流	20A	-	20A
Wire range	電線径	导线线径		22-12AWG	
With standing voltage	耐電圧	耐电压		AC1600V/1Min	
Torque Value	ネジ締付トルク	锁紧扭力		0.8N.m (7.0Lb.In)	
Ambient temperature	环境温度	环境温度		-40°C~+105°C	
Housing	本体	塑件		PA66, UL94V-0	
Terminal	導電板	端子	Copper alloy, 0.8t, Tin Plated	銅合金08厚, 錫メッキ	銅合金, 0.8厚, 鍍錫
Screws	結線ビス	螺丝	Steel, M3.5, Ni Plated	鋼, M3.5, ニッケルメッキ	鋼, M3.5, 鍍錫



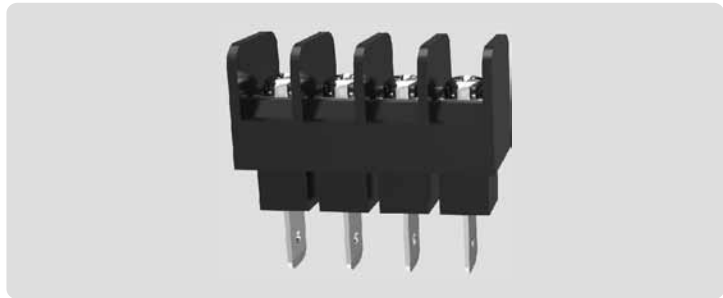
### DEVE LOBIN® DGR175-20A



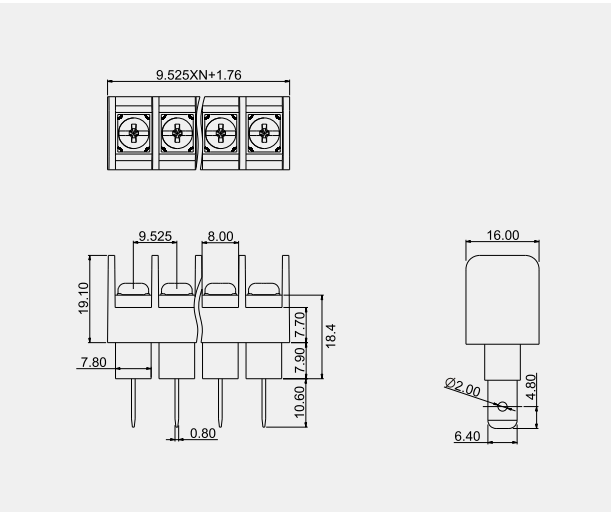
Use group	使用レベル	使用級別	B	C	D
Rated voltage	定格電圧	額定電圧	600V	600V	-
Rated current	定格電流	額定電流	175A	175A	-
Wire range	電線径	导线线径		20-3/0AWG	
With standing voltage	耐電圧	耐电压		AC2200V/1Min	
Torque Value	ネジ締付トルク	锁紧扭力		3.5N.m (31.0Lb.In)	
Ambient temperature	环境温度	环境温度		-40°C~+120°C	
Housing	本体	塑件		PC, UL94V-0	
Terminal	導電板	端子	Copper alloy, 3.5t, Ni Plated	銅合金35厚, ニッケルメッキ	銅合金, 3.5厚, 鍍錫
Screws	結線ビス	螺丝	Steel, M8, Cr <sup>2+</sup> Zn Plated	鋼, M8, 亜鉛メッキ	鋼, M8, 鍍錫



### DEVE LOBIN® DG45HH-B

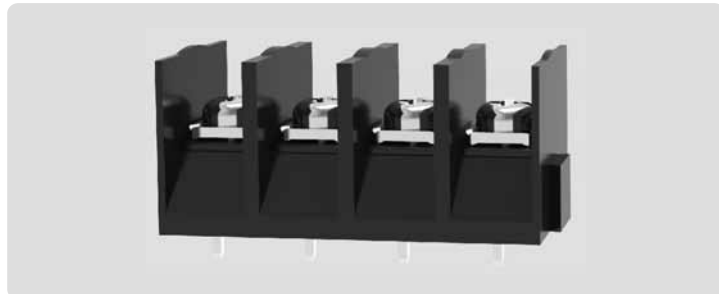


Use group	使用レベル	使用級別	B	C	D
Rated voltage	定格電圧	額定電圧	300V	-	300V
Rated current	定格電流	額定電流	30A	-	10A
Wire range	電線径	导线线径		22-12AWG	
With standing voltage	耐電圧	耐电压		AC1600V/1Min	
Torque Value	ネジ締付トルク	锁紧扭力		0.8N.m (7.0Lb.In)	
Ambient temperature	环境温度	环境温度		-40°C~+105°C	
Housing	本体	塑件		PA66, UL94V-0	
Terminal	導電板	端子	Copper alloy, 0.8t, Tin Plated	銅合金08厚, 錫メッキ	銅合金, 0.8厚, 鍍錫
Screws	結線ビス	螺丝	Steel, M3.5, Ni Plated	鋼, M3.5, ニッケルメッキ	鋼, M3.5, 鍍錫

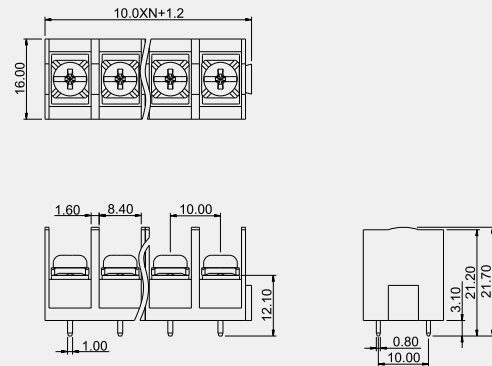




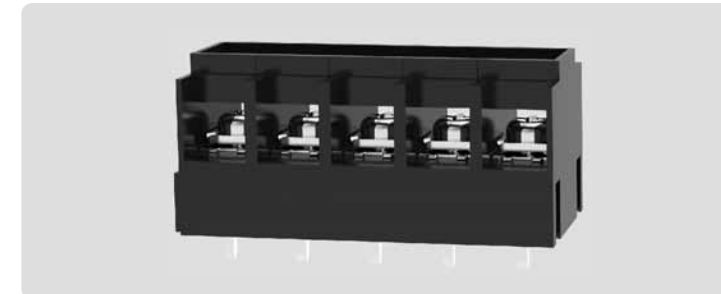
### DEVE LOBIN® DG55D-B



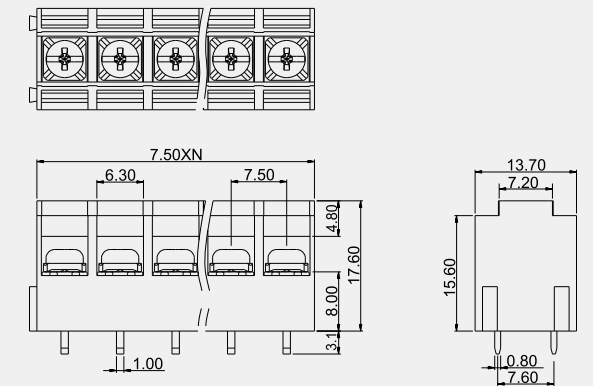
Use group	使用レベル	使用級別	B	C	D
Rated voltage	定格電圧	额定电压	600V	600V	600V
Rated current	定格電流	额定电流	30A	30A	5A
Wire range	電線径	导线线径	22-10AWG		
With standing voltage	耐電圧	耐电压	AC2200V/1Min		
Torque Value	ネジ締付トルク	锁紧扭力	0.8N.m (7.0Lb.In)		
Ambient temperature	环境温度	环境温度	-40°C~+105°C		
Housing	本体	塑件	PA66, UL94V-0		
Terminal	導電板	端子	Copper alloy, 0.8t, Tin Plated	銅合金0.8厚, 錫メッキ	銅合金0.8厚, 鍍錫
Screws	結線ビス	螺丝	Steel, M3.5, Ni Plated	鋼, M3.5, ニッケルメッキ	鋼, M3.5, 鍍錫



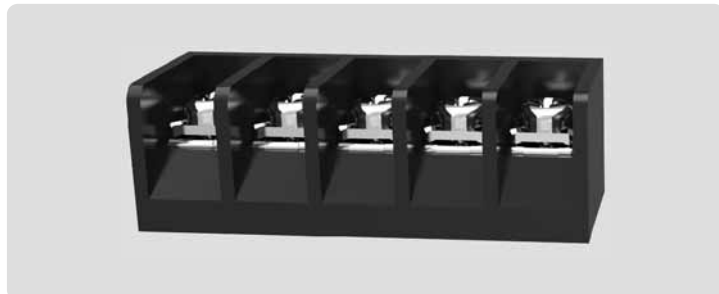
### DEVE LOBIN® DG26D-B



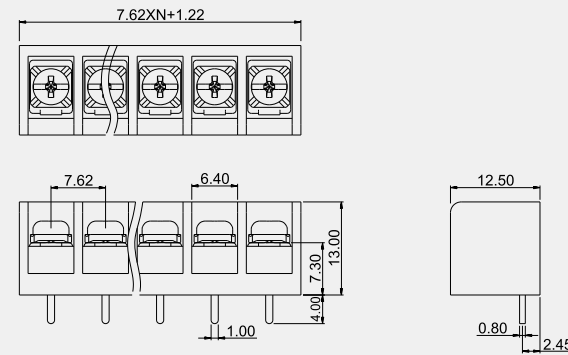
Use group	使用レベル	使用級別	B	C	D
Rated voltage	定格電圧	额定电压	300V	-	300V
Rated current	定格電流	额定电流	15A	-	10A
Wire range	電線径	导线线径	22-14AWG		
With standing voltage	耐電圧	耐电压	AC1600V/1Min		
Torque Value	ネジ締付トルク	锁紧扭力	0.5N.m (4.4Lb.In)		
Ambient temperature	环境温度	环境温度	-40°C~+105°C		
Housing	本体	塑件	PA66, UL94V-0		
Terminal	導電板	端子	Copper alloy, 0.8t, Tin Plated	銅合金0.8厚, 錫メッキ	銅合金0.8厚, 鍍錫
Screws	結線ビス	螺丝	Steel, M3, Ni Plated	鋼, M3, ニッケルメッキ	鋼, M3, 鍍錫



### DEVE LOBIN® DG26S-B



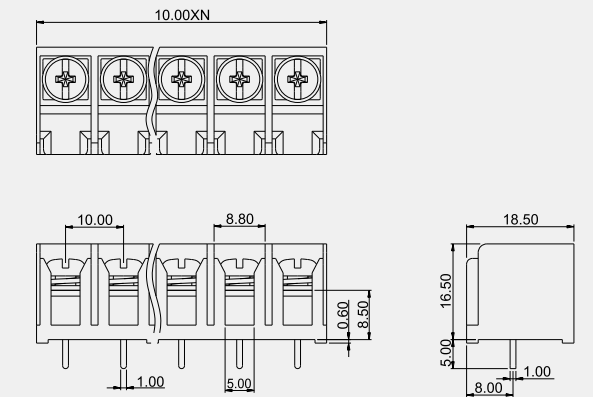
Use group	使用レベル	使用級別	B	C	D
Rated voltage	定格電圧	额定电压	250V	-	250V
Rated current	定格電流	额定电流	6A	-	6A
Wire range	電線径	导线线径	24-16AWG		
With standing voltage	耐電圧	耐电压	AC1500V/1Min		
Torque Value	ネジ締付トルク	锁紧扭力	0.5N.m (4.4Lb.In)		
Ambient temperature	环境温度	环境温度	-40°C~+105°C		
Housing	本体	塑件	PA66, UL94V-0		
Terminal	導電板	端子	Copper alloy, 0.8t, Tin Plated	銅合金0.8厚, 錫メッキ	銅合金0.8厚, 鍍錫
Screws	結線ビス	螺丝	Steel, M3, Ni Plated	鋼, M3, ニッケルメッキ	鋼, M3, 鍍錫



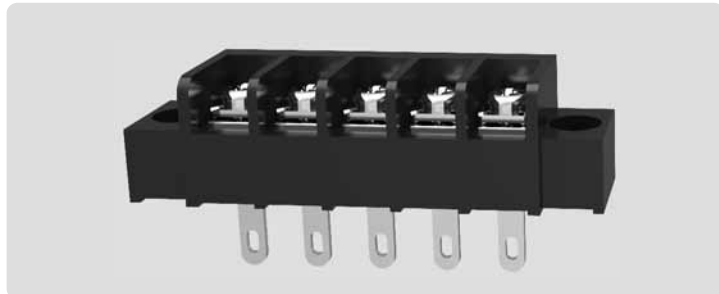
### DEVE LOBIN® DG56C-B



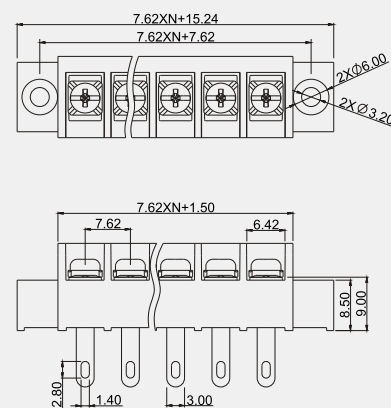
Use group	使用レベル	使用級別	B	C	D
Rated voltage	定格電圧	额定电压	300V	-	300V
Rated current	定格電流	额定电流	15A	-	10A
Wire range	電線径	导线线径	24-16AWG		
With standing voltage	耐電圧	耐电压	AC1600V/1Min		
Torque Value	ネジ締付トルク	锁紧扭力	1.2N.m (10.5Lb.In)		
Ambient temperature	环境温度	环境温度	-40°C~+105°C		
Housing	本体	塑件	PA66, UL94V-0		
Terminal	導電板	端子	Copper alloy, 1.0t, Tin Plated	銅合金1.0厚, 錫メッキ	銅合金1.0厚, 鍍錫
Screws	結線ビス	螺丝	Steel, M3, Ni Plated	鋼, M3, ニッケルメッキ	鋼, M4, 鍍錫



### DEVE LOBIN® DG26H-A



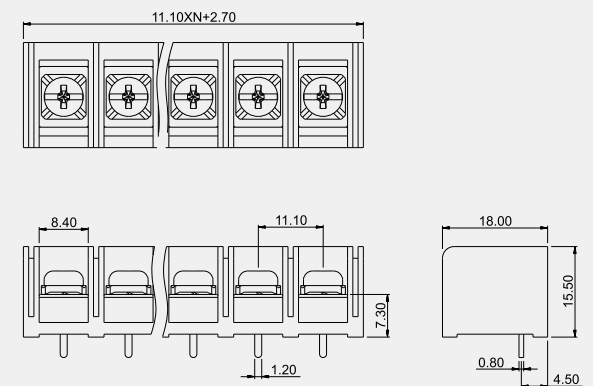
Use group	使用レベル	使用級別	B	C	D
Rated voltage	定格電圧	额定电压	300V	-	300V
Rated current	定格電流	额定电流	30A	-	10A
Wire range	電線径	导线线径	22-14AWG		
With standing voltage	耐電圧	耐电压	AC1600V/1Min		
Torque Value	ネジ締付トルク	锁紧扭力	0.5N.m (4.4Lb.In)		
Ambient temperature	环境温度	环境温度	-40°C~+105°C		
Housing	本体	塑件	PA66, UL94V-0		
Terminal	導電板	端子	Copper alloy, 0.8t, Tin Plated	銅合金0.8厚, 錫メッキ	銅合金0.8厚, 鍍錫
Screws	結線ビス	螺丝	Steel, M3, Ni Plated	鋼, M3, ニッケルメッキ	鋼, M3, 鍍錫



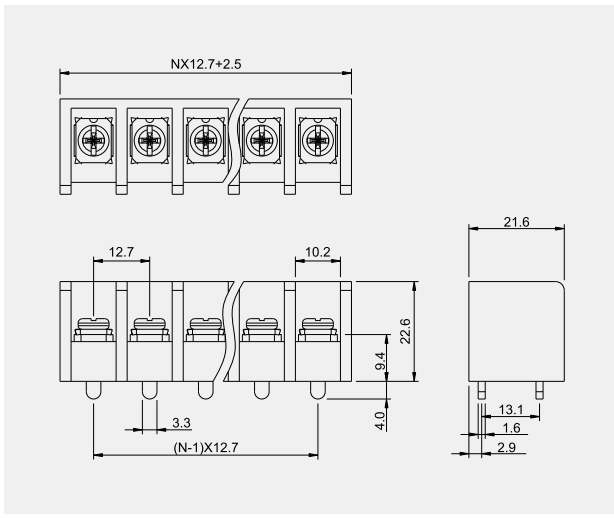
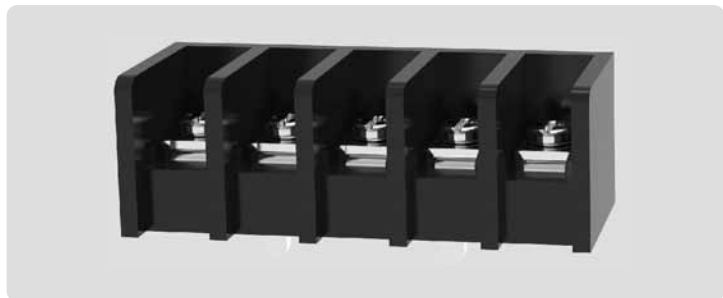
### DEVE LOBIN® DG76S-B-15



Use group	使用レベル	使用級別	B	C	D
Rated voltage	定格電圧	额定电压	600V	600V	600V
Rated current	定格電流	额定电流	20A	20A	5A
Wire range	電線径	导线线径	22-12AWG		
With standing voltage	耐電圧	耐电压	AC2200V/1Min		
Torque Value	ネジ締付トルク	锁紧扭力	1.2N.m (10.5Lb.In)		
Ambient temperature	环境温度	环境温度	-40°C~+105°C		
Housing	本体	塑件	PA66, UL94V-0		
Terminal	導電板	端子	Copper alloy, 1.0t, Tin Plated	銅合金1.0厚, 錫メッキ	銅合金1.0厚, 鍍錫
Screws	結線ビス	螺丝	Steel, M4, Ni Plated	鋼, M4, ニッケルメッキ	鋼, M4, 鍍錫

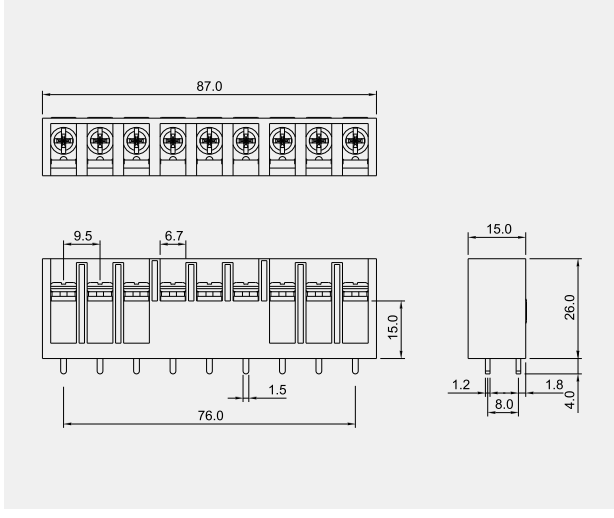
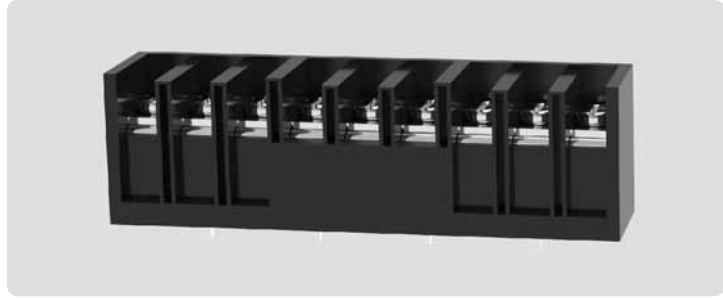


### DEVE LOBIN® DG1270-DA/DB



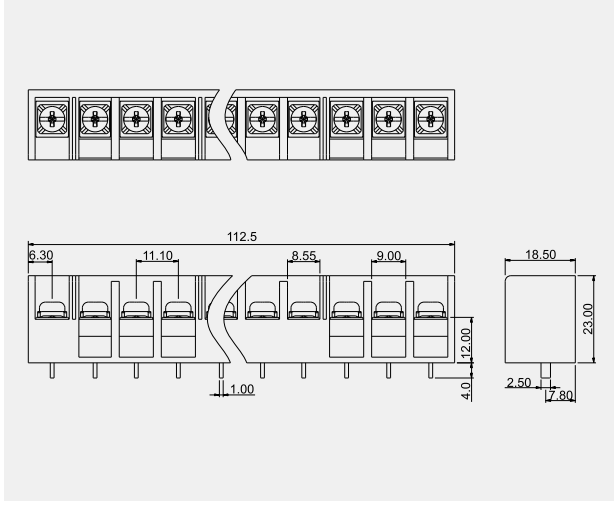
Use group	使用レベル	使用級別	B	C	D
Rated voltage	定格電圧	额定电压	600V	600V	600V
Rated current	定格電流	额定电流	50A	50A	5A
Wire range	電線径	导线线径		18-8AWG	
With standing voltage	耐電圧	耐电压		AC2200V/1Min	
Torque Value	ネジ締付トルク	锁紧扭力		1.2N.m (10.5Lb.In)	
Ambient temperature	环境温度	环境温度		-40°C~+105°C	
Housing	本体	塑件		PA66, UL94V-0	
Terminal	導電板	端子	Copper alloy, 1.6t, Tin Plated	銅合金1.6厚, 錫メッキ	銅合金, 1.6厚, 鍍錫
Screws	結線ビス	螺丝	Steel, M4, Ni Plated	鋼, M4, ニッケルメッキ	鋼, M4, 鍍錫

### DEVE LOBIN® DG9500-DA/DB



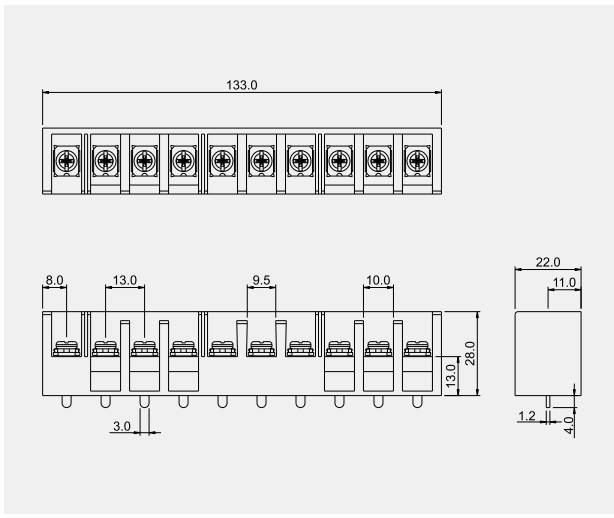
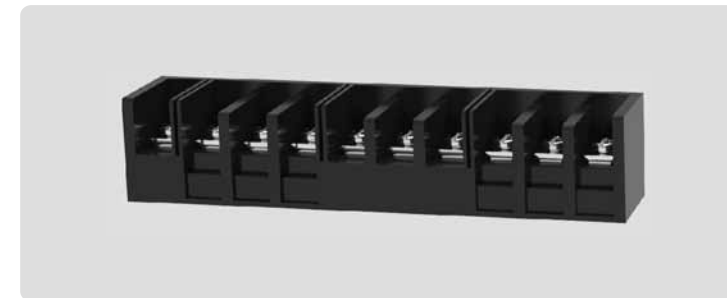
Use group	使用レベル	使用級別	B	C	D
Rated voltage	定格電圧	额定电压	600V	600V	600V
Rated current	定格電流	额定电流	30A	30A	5A
Wire range	電線径	导线线径		22-10AWG	
With standing voltage	耐電圧	耐电压		AC2200V/1Min	
Torque Value	ネジ締付トルク	锁紧扭力		1.2N.m (10.5Lb.In)	
Ambient temperature	环境温度	环境温度		-40°C~+105°C	
Housing	本体	塑件		PA66, UL94V-0	
Terminal	導電板	端子	Copper alloy, 1.2t, Tin Plated	銅合金1.2厚, 錫メッキ	銅合金, 1.2厚, 鍍錫
Screws	結線ビス	螺丝	Steel, M4, Ni Plated	鋼, M4, ニッケルメッキ	鋼, M4, 鍍錫

### DEVE LOBIN® DG1110-B



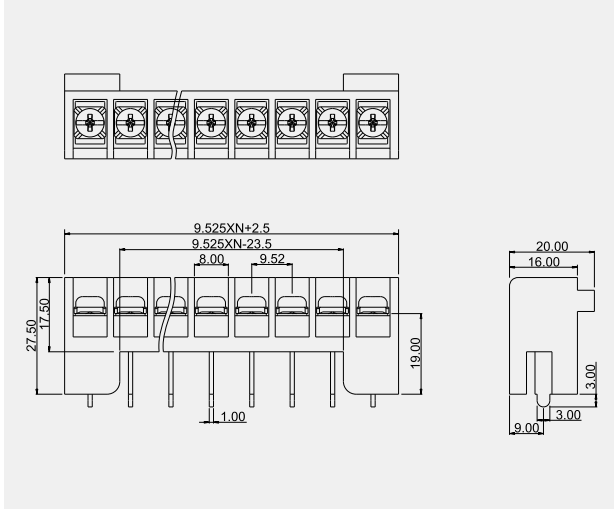
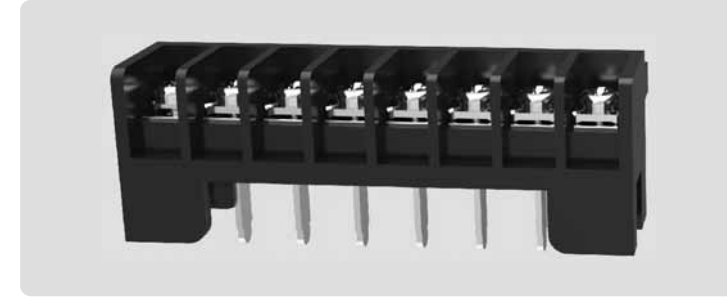
Use group	使用レベル	使用級別	B	C	D
Rated voltage	定格電圧	额定电压	600V	600V	600V
Rated current	定格電流	额定电流	30A	30A	5A
Wire range	電線径	导线线径		22-10AWG	
With standing voltage	耐電圧	耐电压		AC2200V/1Min	
Torque Value	ネジ締付トルク	锁紧扭力		1.2N.m (10.5Lb.In)	
Ambient temperature	环境温度	环境温度		-40°C~+105°C	
Housing	本体	塑件		PA66, UL94V-0	
Terminal	導電板	端子	Copper alloy, 1.0t, Tin Plated	銅合金1.0厚, 錫メッキ	銅合金, 1.0厚, 鍍錫
Screws	結線ビス	螺丝	Steel, M4, Ni Plated	鋼, M4, ニッケルメッキ	鋼, M4, 鍍錫

### DEVE LOBIN® DG1300-04



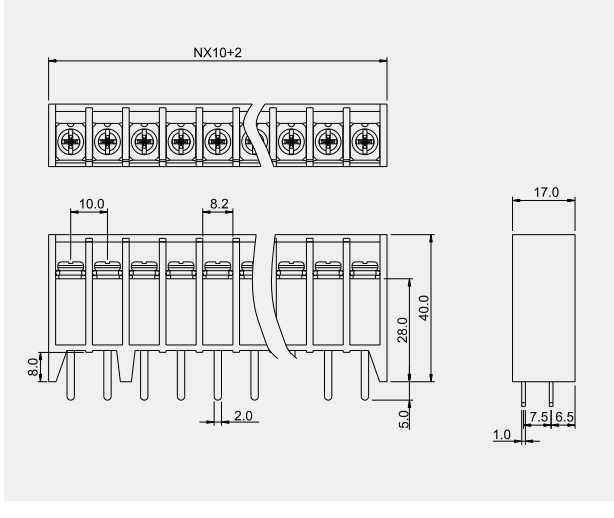
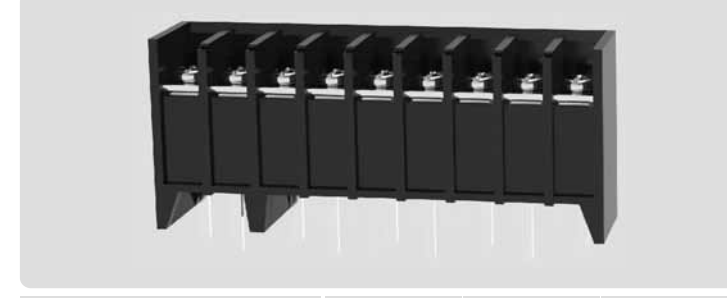
Use group	使用レベル	使用級別	B	C	D
Rated voltage	定格電圧	额定电压	600V	600V	600V
Rated current	定格電流	额定电流	40A	40A	5A
Wire range	電線径	导线线径		20-8AWG	
With standing voltage	耐電圧	耐电压		AC2200V/1Min	
Torque Value	ネジ締付トルク	锁紧扭力		1.2N.m (10.5Lb.In)	
Ambient temperature	环境温度	环境温度		-40°C~+105°C	
Housing	本体	塑件		PA66, UL94V-0	
Terminal	導電板	端子	Copper alloy, 1.2t, Tin Plated	銅合金1.2厚, 錫メッキ	銅合金, 1.2厚, 鍍錫
Screws	結線ビス	螺丝	Steel, M4, Ni Plated	鋼, M4, ニッケルメッキ	鋼, M4, 鍍錫

### DEVE LOBIN® DG9520-B



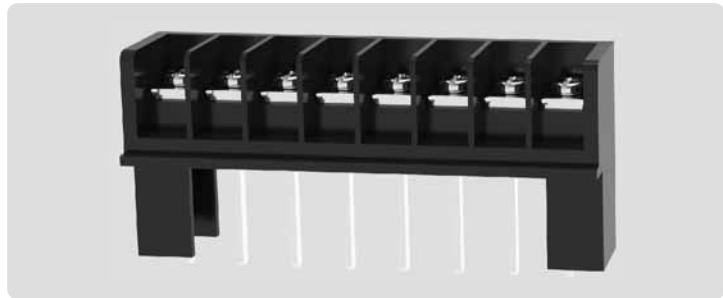
Use group	使用レベル	使用級別	B	C	D
Rated voltage	定格電圧	额定电压	300V	-	300V
Rated current	定格電流	额定电流	20A	-	10A
Wire range	電線径	导线线径		22-12AWG	
With standing voltage	耐電圧	耐电压		AC1600V/1Min	
Torque Value	ネジ締付トルク	锁紧扭力		0.8N.m (7.0Lb.In)	
Ambient temperature	环境温度	环境温度		-40°C~+105°C	
Housing	本体	塑件		PA66, UL94V-0	
Terminal	導電板	端子	Copper alloy, 1.0t, Tin Plated	銅合金1.0厚, 錫メッキ	銅合金, 1.0厚, 鍍錫
Screws	結線ビス	螺丝	Steel, M3.5, Ni Plated	鋼, M3.5, ニッケルメッキ	鋼, M3.5, 鍍錫

### DEVE LOBIN® DG1000-DA/DB-10A

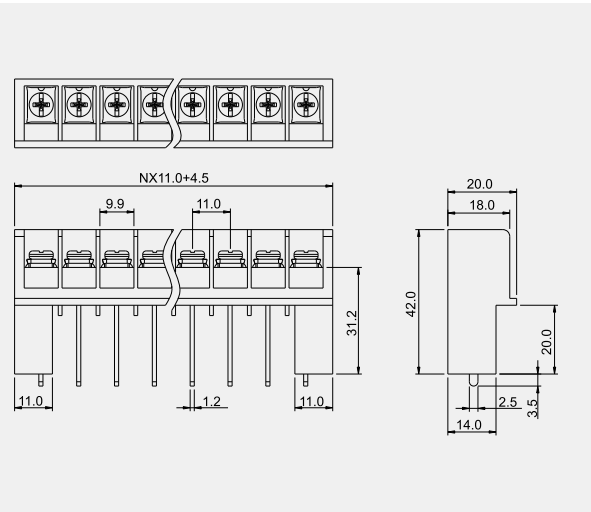


Use group	使用レベル	使用級別	B	C	D
Rated voltage	定格電圧	额定电压	600V	600V	600V
Rated current	定格電流	额定电流	30A	30A	5A
Wire range	電線径	导线线径		22-10AWG	
With standing voltage	耐電圧	耐电压		AC2200V/1Min	
Torque Value	ネジ締付トルク	锁紧扭力		1.2N.m (10.5Lb.In)	
Ambient temperature	环境温度	环境温度		-40°C~+105°C	
Housing	本体	塑件		PA66, UL94V-0	
Terminal	導電板	端子	Copper alloy, 1.0t, Tin Plated	銅合金1.0厚, 錫メッキ	銅合金, 1.0厚, 鍍錫
Screws	結線ビス	螺丝	Steel, M4, Ni Plated	鋼, M4, ニッケルメッキ	鋼, M4, 鍍錫

DEVELOPING  
**DG1100-03**



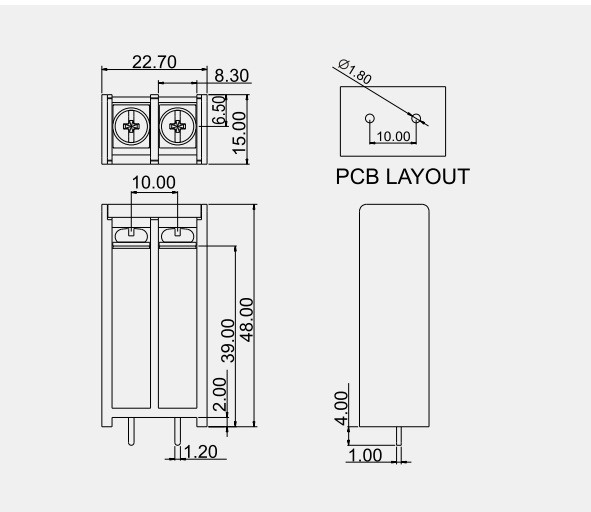
Use group	使用レベル	使用級別	B	C	D
Rated voltage	定格電圧	額定電圧	600V	-	600V
Rated current	定格電流	額定電流	30A	-	5A
Wire range	電線径	導線線径	22-10AWG		
With standing voltage	耐電圧	耐電圧	AC2200V/1Min		
Torque Value	ネジ締付トルク	鎖緊扭力	1.2N.m (10.5Lb.In)		
Ambient temperature	環境温度	环境温度	-40°C~+105°C		
Housing	本体	塑件	PA66, UL94V-0		
Terminal	導電板	端子	Copper alloy, 1.2t, Tin Plated	銅合金1.2厚, 錫メッキ	銅合金, 1.2厚, 鍍錫
Screws	結線ビス	螺丝	Steel, M4, Ni Plated	鋼, M4, ニッケルメッキ	鋼, M4, 鍍錫



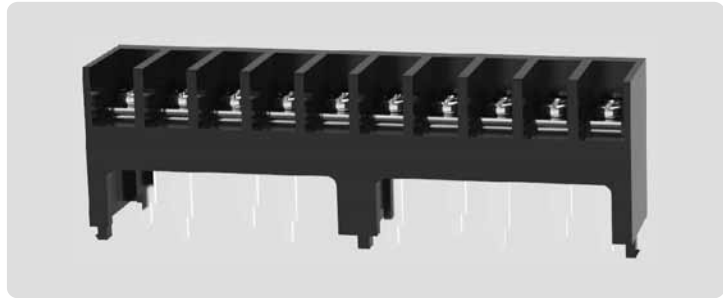
DEVELOPING  
**DG1400-B**



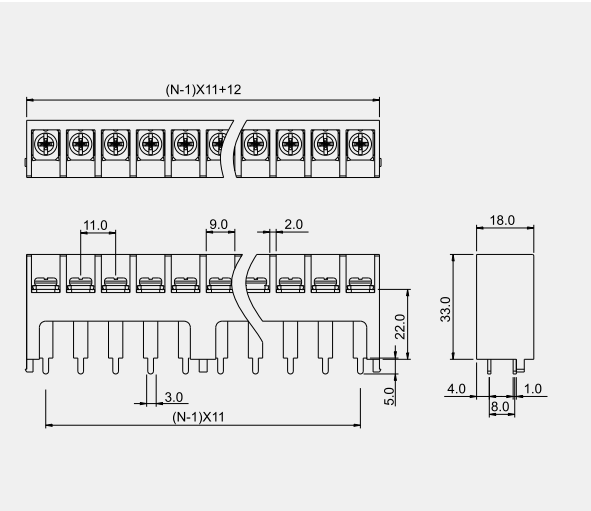
Use group	使用レベル	使用級別	B	C	D
Rated voltage	定格電圧	額定電圧	300V	-	300V
Rated current	定格電流	額定電流	20A	-	10A
Wire range	電線径	導線線径	18-10AWG		
With standing voltage	耐電圧	耐電圧	AC1600V/1Min		
Torque Value	ネジ締付トルク	鎖緊扭力	1.2N.m (10.5Lb.In)		
Ambient temperature	環境温度	环境温度	-40°C~+105°C		
Housing	本体	塑件	PA66, UL94V-0		
Terminal	導電板	端子	Copper alloy, 1.0t, Tin Plated	銅合金1.0厚, 錫メッキ	銅合金, 1.0厚, 鍍錫
Screws	結線ビス	螺丝	Steel, M4, Ni Plated	鋼, M4, ニッケルメッキ	鋼, M4, 鍍錫



DEVELOPING  
**DG1200-DA/DB-10A**



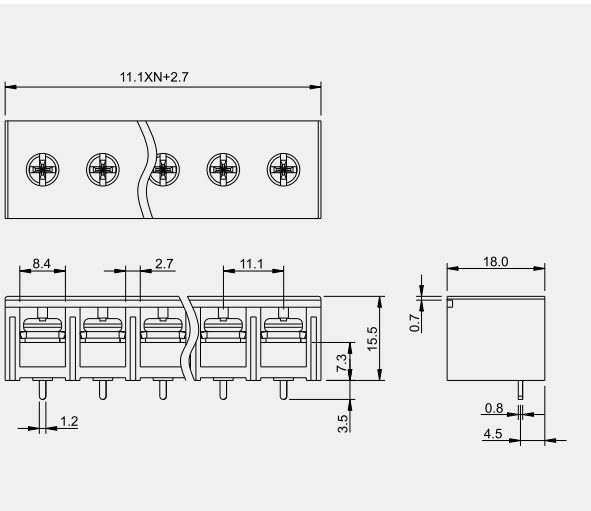
Use group	使用レベル	使用級別	B	C	D
Rated voltage	定格電圧	額定電圧	600V	-	600V
Rated current	定格電流	額定電流	30A	-	5A
Wire range	電線径	導線線径	22-10AWG		
With standing voltage	耐電圧	耐電圧	AC2200V/1Min		
Torque Value	ネジ締付トルク	鎖緊扭力	1.2N.m (10.5Lb.In)		
Ambient temperature	環境温度	环境温度	-40°C~+105°C		
Housing	本体	塑件	PA66, UL94V-0		
Terminal	導電板	端子	Copper alloy, 1.0t, Tin Plated	銅合金1.0厚, 錫メッキ	銅合金, 1.0厚, 鍍錫
Screws	結線ビス	螺丝	Steel, M4, Ni Plated	鋼, M4, ニッケルメッキ	鋼, M4, 鍍錫



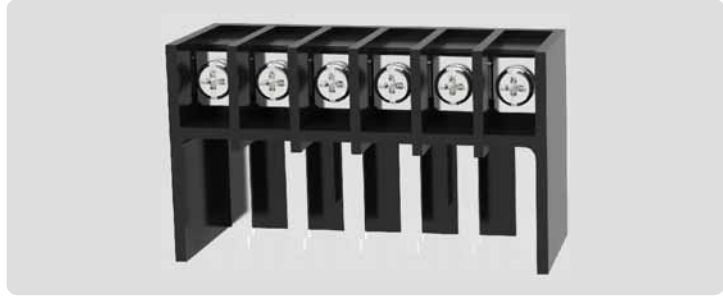
DEVELOPING  
**DG1110-B**



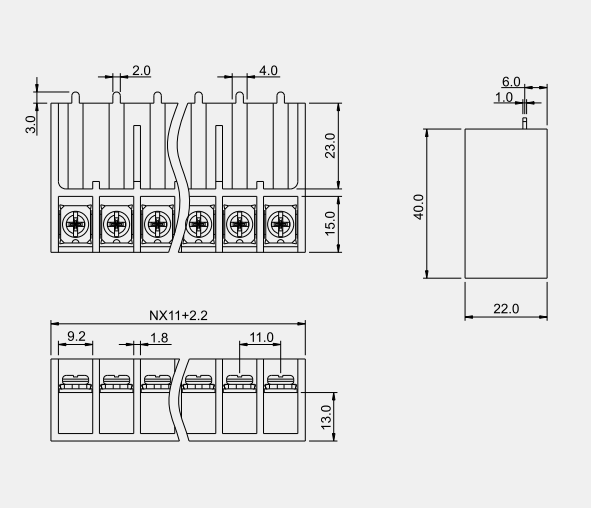
Use group	使用レベル	使用級別	B	C	D
Rated voltage	定格電圧	額定電圧	600V	600V	600V
Rated current	定格電流	額定電流	40A	40A	5A
Wire range	電線径	導線線径	20-8AWG		
With standing voltage	耐電圧	耐電圧	AC2200V/1Min		
Torque Value	ネジ締付トルク	鎖緊扭力	1.2N.m (10.5Lb.In)		
Ambient temperature	環境温度	环境温度	-40°C~+105°C		
Housing	本体	塑件	PA66, UL94V-0		
Terminal	導電板	端子	Copper alloy, 0.8t, Tin Plated	銅合金0.8厚, 錫メッキ	銅合金, 0.8厚, 鍍錫
Screws	結線ビス	螺丝	Steel, M4, Ni Plated	鋼, M4, ニッケルメッキ	鋼, M4, 鍍錫



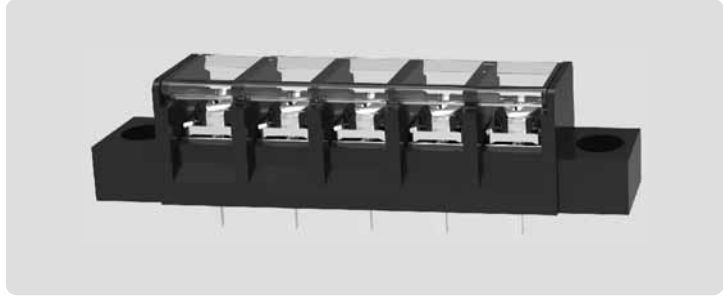
DEVELOPING  
**DG1300-B**



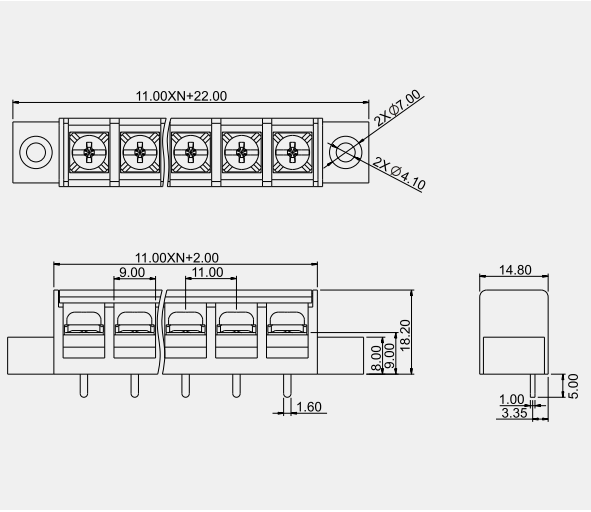
Use group	使用レベル	使用級別	B	C	D
Rated voltage	定格電圧	額定電圧	600V	-	600V
Rated current	定格電流	額定電流	30A	-	5A
Wire range	電線径	導線線径	18-10AWG		
With standing voltage	耐電圧	耐電圧	AC2200V/1Min		
Torque Value	ネジ締付トルク	鎖緊扭力	1.2N.m (10.5Lb.In)		
Ambient temperature	環境温度	环境温度	-40°C~+105°C		
Housing	本体	塑件	PA66, UL94V-0		
Terminal	導電板	端子	Copper alloy, 1.0t, Tin Plated	銅合金1.0厚, 錫メッキ	銅合金, 1.0厚, 鍍錫
Screws	結線ビス	螺丝	Steel, M4, Ni Plated	鋼, M4, ニッケルメッキ	鋼, M4, 鍍錫



DEVELOPING  
**DG68S-A**

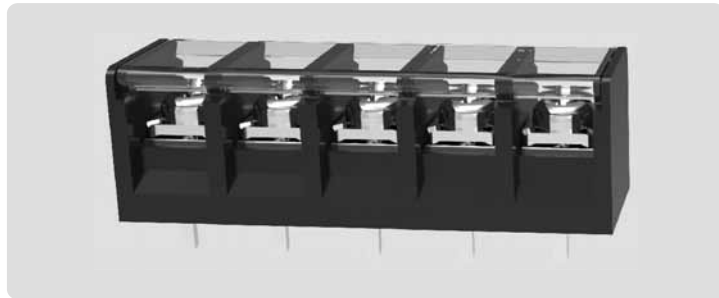


Use group	使用レベル	使用級別	B	C	D
Rated voltage	定格電圧	額定電圧	600V	600V	600V
Rated current	定格電流	額定電流	30A	30A	5A
Wire range	電線径	導線線径	22-10AWG		
With standing voltage	耐電圧	耐電圧	AC2200V/1Min		
Torque Value	ネジ締付トルク	鎖緊扭力	1.2N.m (10.5Lb.In)		
Ambient temperature	環境温度	环境温度	-40°C~+105°C		
Housing	本体	塑件	PA66, UL94V-0		
Terminal	導電板	端子	Copper alloy, 1.0t, Tin Plated	銅合金1.0厚, 錫メッキ	銅合金, 1.0厚, 鍍錫
Screws	結線ビス	螺丝	Steel, M4, Ni Plated	鋼, M4, ニッケルメッキ	鋼, M4, 鍍錫

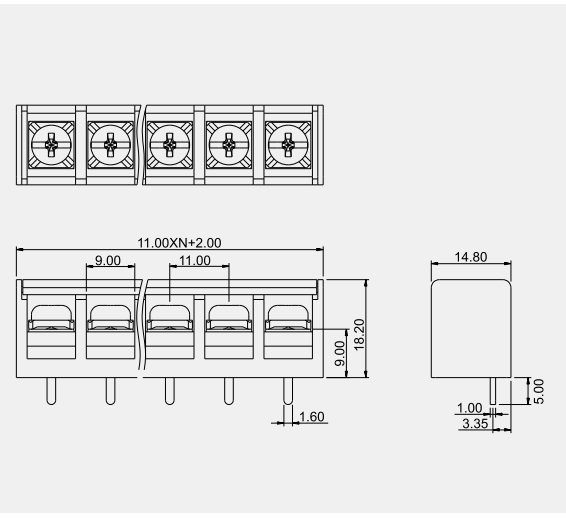




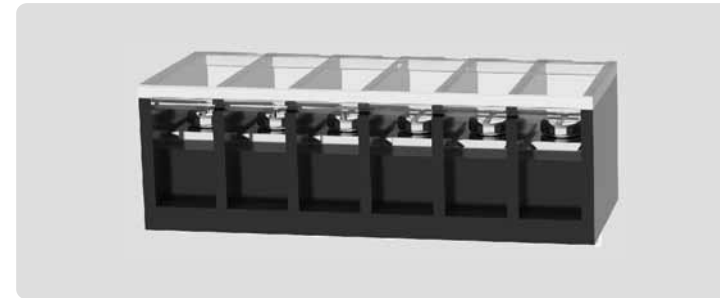
### DEVIS LOBINIS DG68S-B



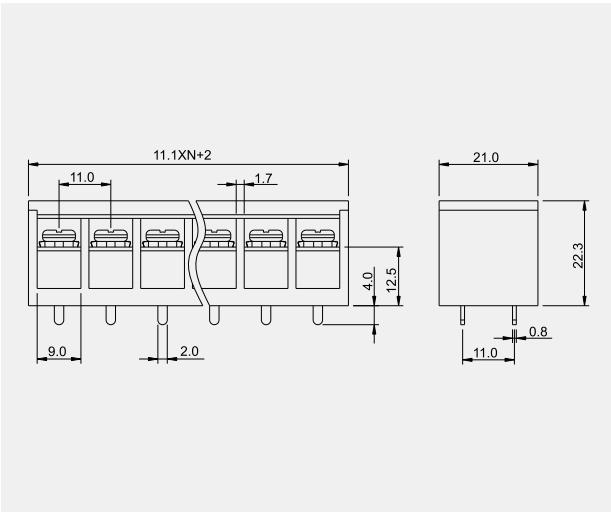
Use group	使用レベル	使用級別	B	C	D
Rated voltage	定格電圧	额定电压	600V	600V	600V
Rated current	定格電流	额定电流	30A	30A	5A
Wire range	電線径	导线线径	22-10AWG		
With standing voltage	耐電圧	耐电压	AC2200V/1Min		
Torque Value	ネジ締付トルク	锁紧扭力	1.2N.m (10.5Lb.In)		
Ambient temperature	環境温度	环境温度	-40°C~+105°C		
Housing	本体	塑件	PA66, UL94V-0		
Terminal	導電板	端子	Copper alloy, 1.0t, Tin Plated	銅合金1.0厚, 錫メッキ	銅合金.10厚, 鍍錫
Screws	結線ビス	螺丝	Steel, M4, Ni Plated	鋼, M4, ニッケルメッキ	鋼, M4, 鍍錫



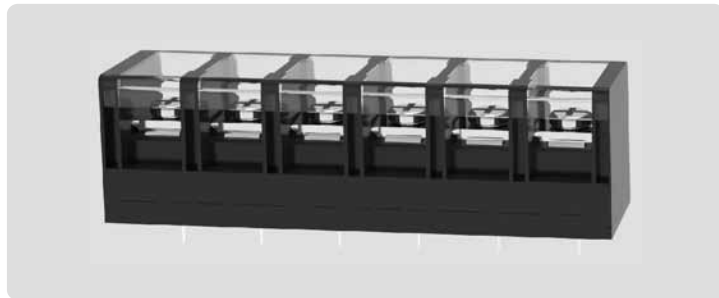
### DEVIS LOBINIS DG68D-B



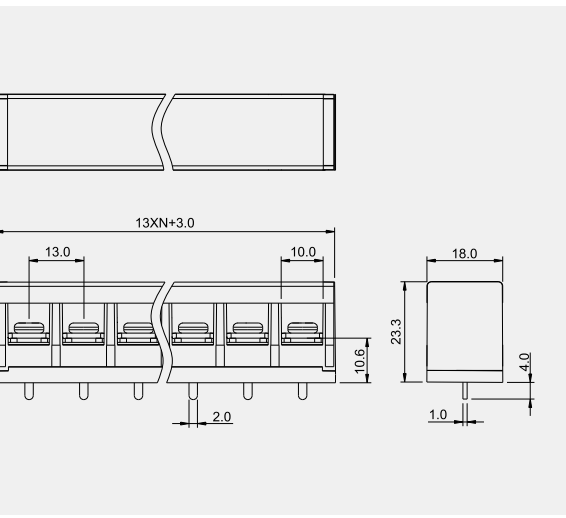
Use group	使用レベル	使用級別	B	C	D
Rated voltage	定格電圧	额定电压	300V	-	300V
Rated current	定格電流	额定电流	20A	-	10A
Wire range	電線径	导线线径	24-10AWG		
With standing voltage	耐電圧	耐电压	AC1600V/1Min		
Torque Value	ネジ締付トルク	锁紧扭力	1.2N.m (10.5Lb.In)		
Ambient temperature	環境温度	环境温度	-40°C~+105°C		
Housing	本体	塑件	PA66, UL94V-0		
Terminal	導電板	端子	Copper alloy, 0.8t, Tin Plated	銅合金0.8厚, 錫メッキ	銅合金.0.8厚, 鍍錫
Screws	結線ビス	螺丝	Steel, M4, Ni Plated	鋼, M4, ニッケルメッキ	鋼, M4, 鍍錫



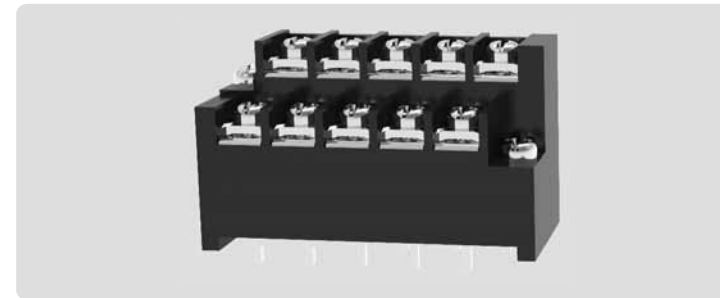
### DEVIS LOBINIS DG788C-B



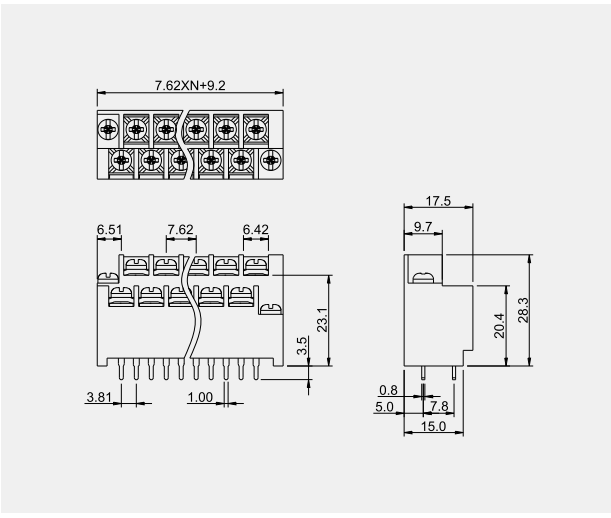
Use group	使用レベル	使用級別	B	C	D
Rated voltage	定格電圧	额定电压	600V	600V	600V
Rated current	定格電流	额定电流	40A	40A	5A
Wire range	電線径	导线线径	20-8AWG		
With standing voltage	耐電圧	耐电压	AC2200V/1Min		
Torque Value	ネジ締付トルク	锁紧扭力	1.2N.m (10.5Lb.In)		
Ambient temperature	環境温度	环境温度	-40°C~+105°C		
Housing	本体	塑件	PA66, UL94V-0		
Terminal	導電板	端子	Copper alloy, 1.0t, Tin Plated	銅合金1.0厚, 錫メッキ	銅合金.10厚, 鍍錫
Screws	結線ビス	螺丝	Steel, M4, Ni Plated	鋼, M4, ニッケルメッキ	鋼, M4, 鍍錫



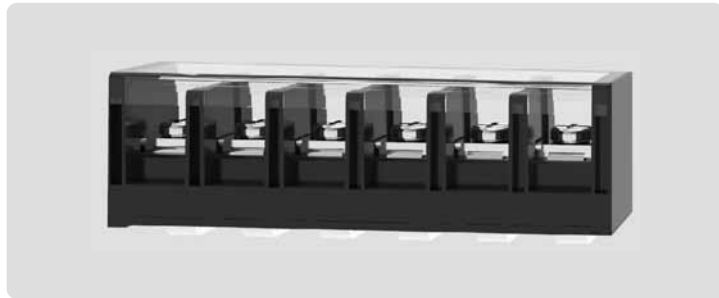
### DEVIS LOBINIS DG24C-1



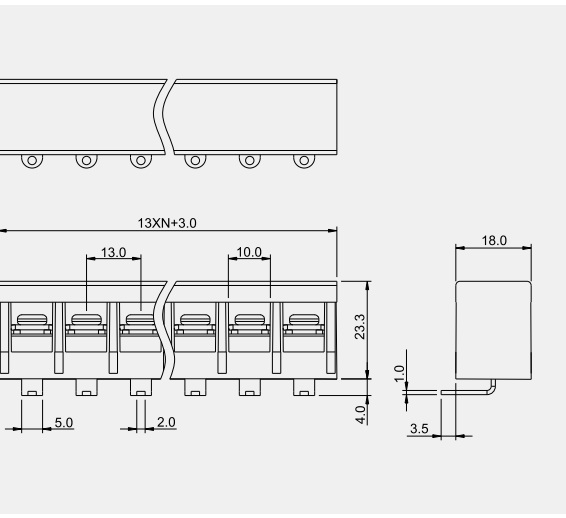
Use group	使用レベル	使用級別	B	C	D
Rated voltage	定格電圧	额定电压	300V	300V	300V
Rated current	定格電流	额定电流	15A	15A	10A
Wire range	電線径	导线线径	22-14AWG		
With standing voltage	耐電圧	耐电压	AC1600V/1Min		
Torque Value	ネジ締付トルク	锁紧扭力	0.5N.m (4.4Lb.In)		
Ambient temperature	環境温度	环境温度	-40°C~+105°C		
Housing	本体	塑件	PA66, UL94V-0		
Terminal	導電板	端子	Copper alloy, 0.8t, Tin Plated	銅合金0.8厚, 錫メッキ	銅合金.0.8厚, 鍍錫
Screws	結線ビス	螺丝	Steel, M3, Ni Plated	鋼, M3, ニッケルメッキ	鋼, M3, 鍍錫



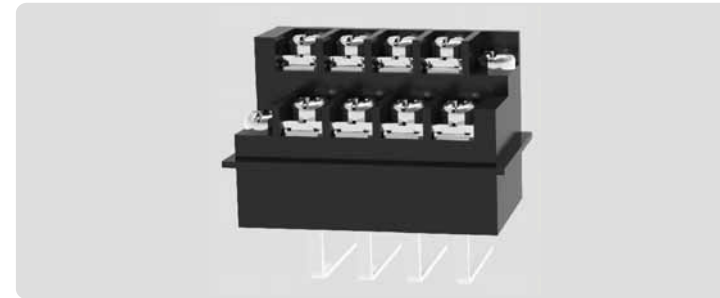
### DEVIS LOBINIS DG788R-B



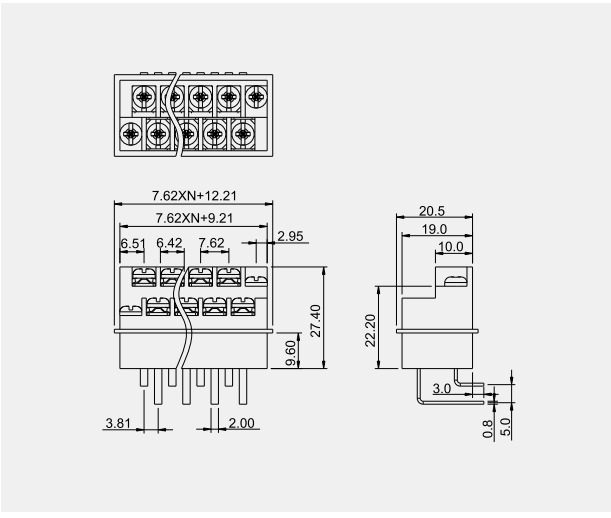
Use group	使用レベル	使用級別	B	C	D
Rated voltage	定格電圧	额定电压	600V	600V	600V
Rated current	定格電流	额定电流	40A	40A	5A
Wire range	電線径	导线线径	20-8AWG		
With standing voltage	耐電圧	耐电压	AC2200V/1Min		
Torque Value	ネジ締付トルク	锁紧扭力	1.2N.m (10.5Lb.In)		
Ambient temperature	環境温度	环境温度	-40°C~+105°C		
Housing	本体	塑件	PA66, UL94V-0		
Terminal	導電板	端子	Copper alloy, 1.0t, Tin Plated	銅合金1.0厚, 錫メッキ	銅合金.10厚, 鍍錫
Screws	結線ビス	螺丝	Steel, M4, Ni Plated	鋼, M4, ニッケルメッキ	鋼, M4, 鍍錫



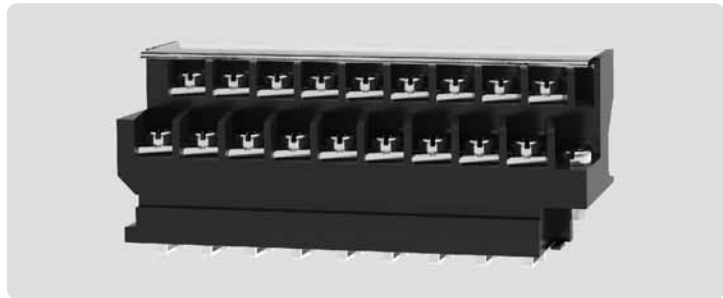
### DEVIS LOBINIS DG24R-1



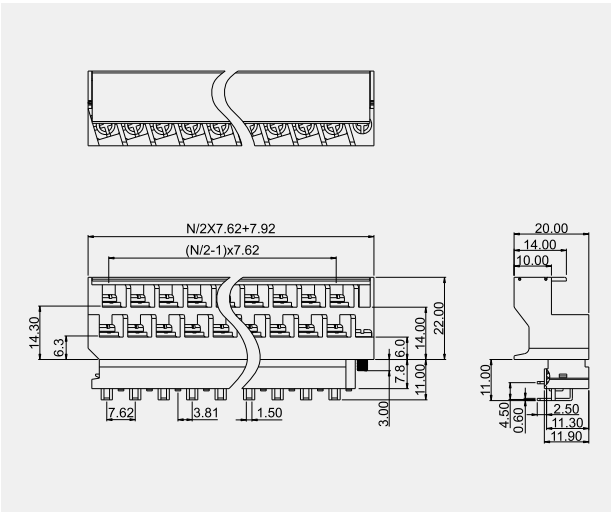
Use group	使用レベル	使用級別	B	C	D
Rated voltage	定格電圧	额定电压	300V	-	300V
Rated current	定格電流	额定电流	15A	-	10A
Wire range	電線径	导线线径	22-14AWG		
With standing voltage	耐電圧	耐电压	AC1600V/1Min		
Torque Value	ネジ締付トルク	锁紧扭力	0.5N.m (4.4Lb.In)		
Ambient temperature	環境温度	环境温度	-40°C~+105°C		
Housing	本体	塑件	PA66, UL94V-0		
Terminal	導電板	端子	Copper alloy, 0.8t, Tin Plated	銅合金0.8厚, 錫メッキ	銅合金.0.8厚, 鍍錫
Screws	結線ビス	螺丝	Steel, M3, Ni Plated	鋼, M3, ニッケルメッキ	鋼, M3, 鍍錫



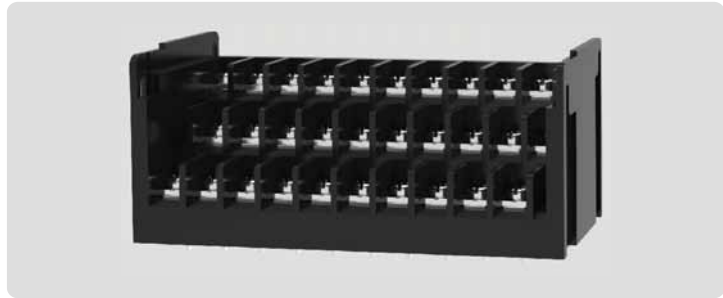
### DEVELOPING DG24R-2



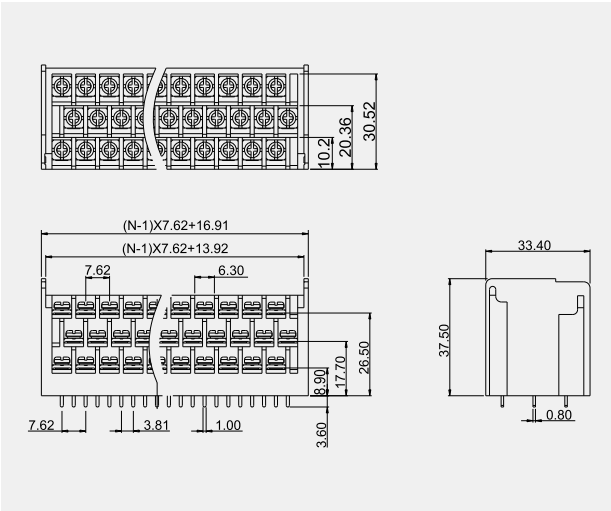
Use group	使用レベル	使用级别	B	C	D
Rated voltage	定格電圧	额定电压	300V	-	300V
Rated current	定格電流	额定电流	3A	-	3A
Wire range	電線径	导线线径		22-10AWG	
With standing voltage	耐電圧	耐电压		AC1600V/1Min	
Torque Value	ネジ締付トルク	锁紧扭力		0.5N.m (4.4Lb.In)	
Ambient temperature	环境温度	环境温度		-40°C~+105°C	
Housing	本体	塑件		PA66, UL94V-0	
Terminal	導電板	端子	Copper alloy,0.8,Tin Plated	銅合金0.8厚,錫メッキ	銅合金0.8厚,鍍錫
Screws	結線ビス	螺丝	Steel,M3,Ni Plated	鋼,M3,ニッケルメッキ	鋼,M3,鍍錫



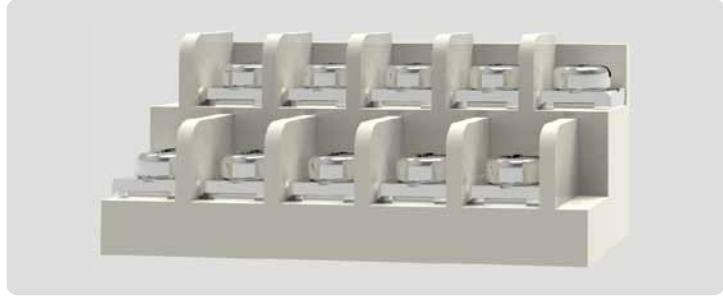
### DEVELOPING DG24-3



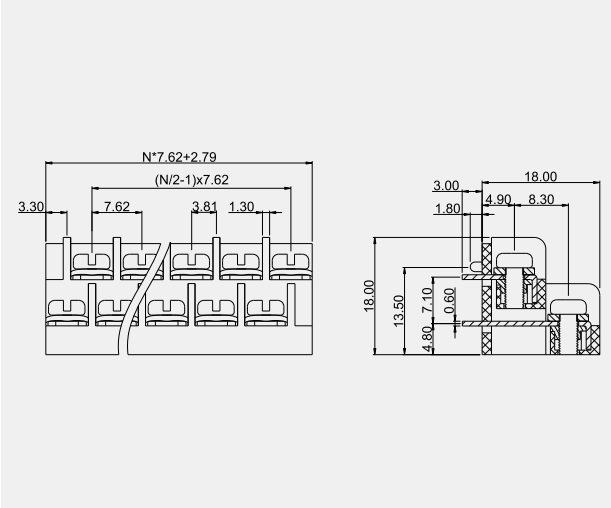
Use group	使用レベル	使用级别	B	C	D
Rated voltage	定格電圧	额定电压	300V	-	300V
Rated current	定格電流	额定电流	15A	-	10A
Wire range	電線径	导线线径		22-14AWG	
With standing voltage	耐電圧	耐电压		AC1600V/1Min	
Torque Value	ネジ締付トルク	锁紧扭力		0.5N.m (4.4Lb.In)	
Ambient temperature	环境温度	环境温度		-40°C~+105°C	
Housing	本体	塑件		PA66, UL94V-0	
Terminal	導電板	端子	Copper alloy,0.8,Tin Plated	銅合金0.8厚,錫メッキ	銅合金0.8厚,鍍錫
Screws	結線ビス	螺丝	Steel,M3,Ni Plated	鋼,M3,ニッケルメッキ	鋼,M3,鍍錫



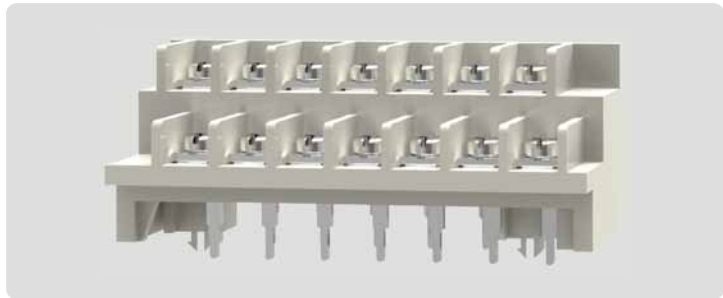
### DEVELOPING DG24R-3



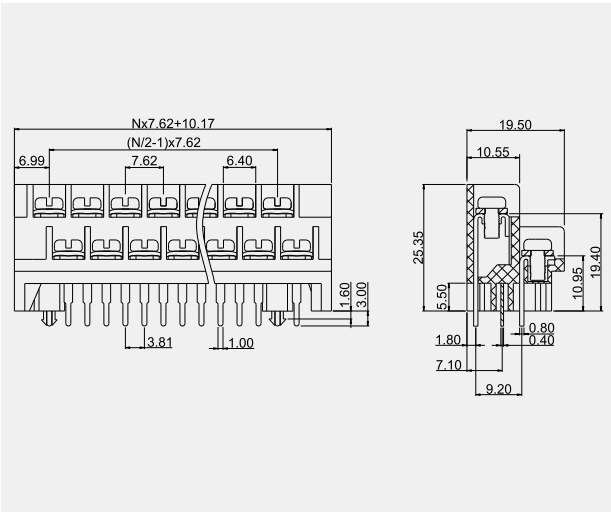
Use group	使用レベル	使用级别	B	C	D
Rated voltage	定格電圧	额定电压	300V	-	300V
Rated current	定格電流	额定电流	15A	-	10A
Wire range	電線径	导线线径		22-14AWG	
With standing voltage	耐電圧	耐电压		AC1600V/1Min	
Torque Value	ネジ締付トルク	锁紧扭力		0.5N.m (4.4Lb.In)	
Ambient temperature	环境温度	环境温度		-40°C~+105°C	
Housing	本体	塑件		PA66, UL94V-0	
Terminal	導電板	端子	Copper alloy,0.6,Tin Plated	銅合金0.6厚,錫メッキ	銅合金0.6厚,鍍錫
Screws	結線ビス	螺丝	Steel,M3,Ni Plated	鋼,M3,ニッケルメッキ	鋼,M3,鍍錫



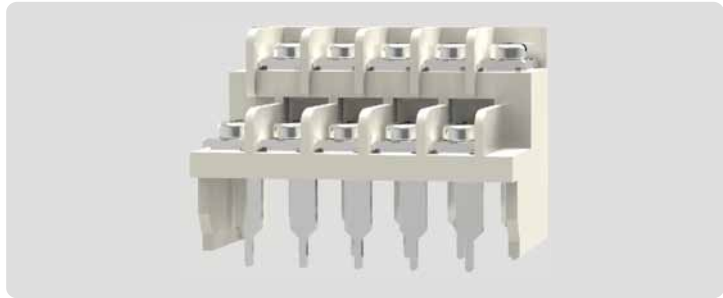
### DEVELOPING DG24V-20A



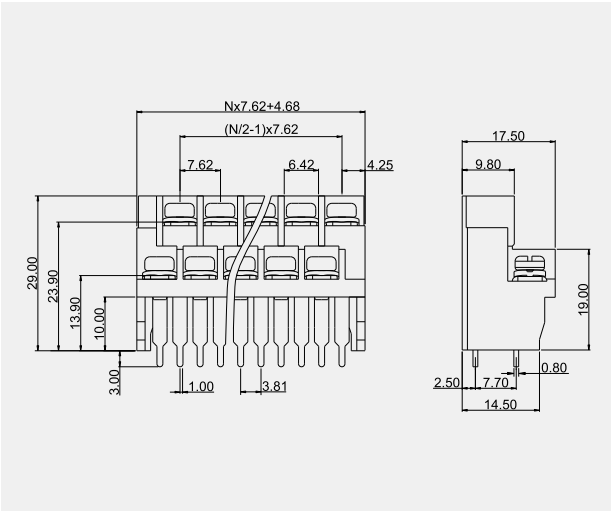
Use group	使用レベル	使用级别	B	C	D
Rated voltage	定格電圧	额定电压	300V	-	300V
Rated current	定格電流	额定电流	15A	-	10A
Wire range	電線径	导线线径		22-14AWG	
With standing voltage	耐電圧	耐电压		AC1600V/1Min	
Torque Value	ネジ締付トルク	锁紧扭力		0.5N.m (4.4Lb.In)	
Ambient temperature	环境温度	环境温度		-40°C~+105°C	
Housing	本体	塑件		PA66, UL94V-0	
Terminal	導電板	端子	Copper alloy,0.8,Tin Plated	銅合金0.8厚,錫メッキ	銅合金0.8厚,鍍錫
Screws	結線ビス	螺丝	Steel,M3,Ni Plated	鋼,M3,ニッケルメッキ	鋼,M3,鍍錫



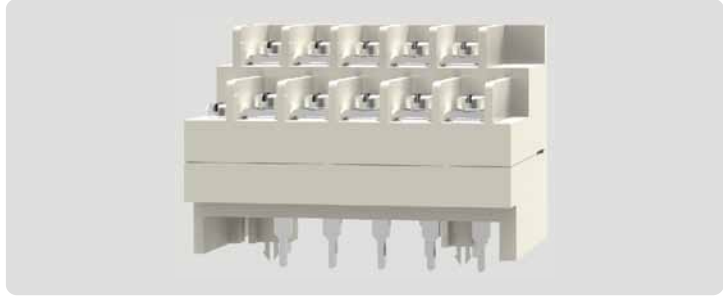
### DEVELOPING DG24V-30A



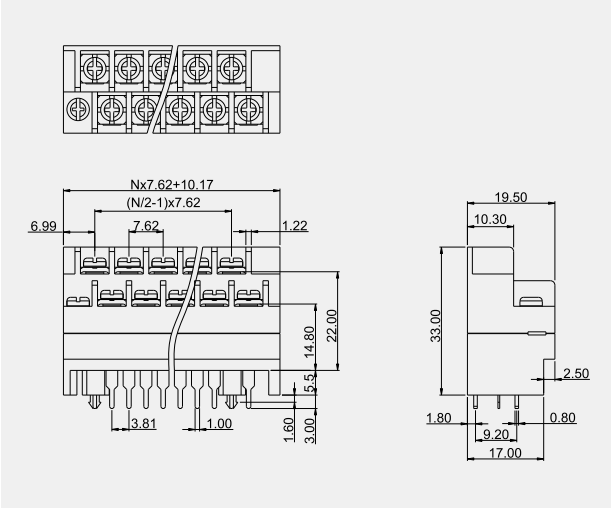
Use group	使用レベル	使用级别	B	C	D
Rated voltage	定格電圧	额定电压	300V	-	300V
Rated current	定格電流	额定电流	15A	-	10A
Wire range	電線径	导线线径		22-14AWG	
With standing voltage	耐電圧	耐电压		AC1600V/1Min	
Torque Value	ネジ締付トルク	锁紧扭力		0.5N.m (4.4Lb.In)	
Ambient temperature	环境温度	环境温度		-40°C~+105°C	
Housing	本体	塑件		PA66, UL94V-0	
Terminal	導電板	端子	Copper alloy,0.8,Tin Plated	銅合金0.8厚,錫メッキ	銅合金0.8厚,鍍錫
Screws	結線ビス	螺丝	Steel,M3,Ni Plated	鋼,M3,ニッケルメッキ	鋼,M3,鍍錫



### DEVELOPING DG24B-4



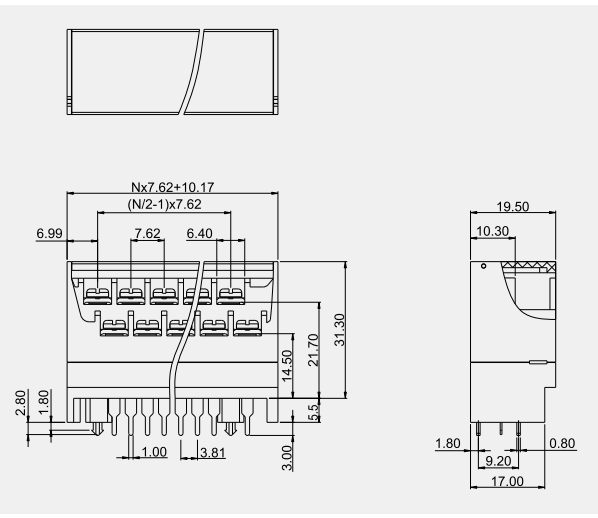
Use group	使用レベル	使用级别	B	C	D
Rated voltage	定格電圧	额定电压	300V	-	300V
Rated current	定格電流	额定电流	15A	-	10A
Wire range	電線径	导线线径		22-14AWG	
With standing voltage	耐電圧	耐电压		AC1600V/1Min	
Torque Value	ネジ締付トルク	锁紧扭力		0.5N.m (4.4Lb.In)	
Ambient temperature	环境温度	环境温度		-40°C~+105°C	
Housing	本体	塑件		PA66, UL94V-0	
Terminal	導電板	端子	Copper alloy,0.8,Tin Plated	銅合金0.8厚,錫メッキ	銅合金0.8厚,鍍錫
Screws	結線ビス	螺丝	Steel,M3,Ni Plated	鋼,M3,ニッケルメッキ	鋼,M3,鍍錫



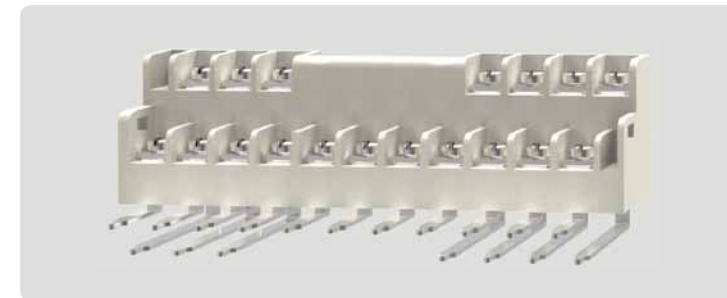
### DEVELOPING DG24B-5



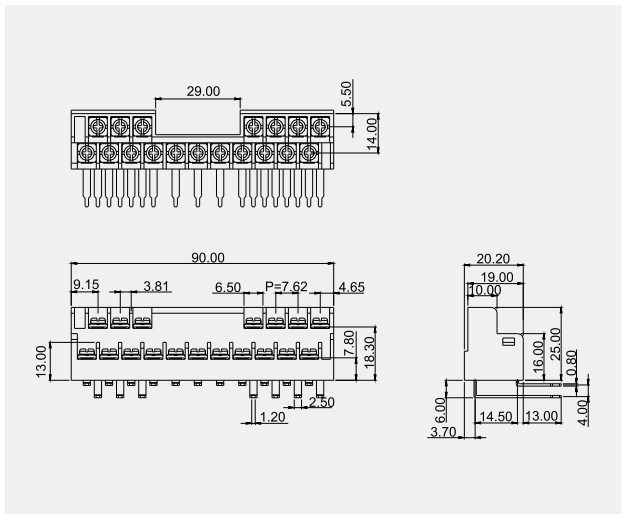
Use group	使用レベル	使用级别	B	C	D
Rated voltage	定格電圧	额定电压	300V	-	300V
Rated current	定格電流	额定电流	15A	-	10A
Wire range	電線径	导线线径		22-14AWG	
With standing voltage	耐電圧	耐电压		AC1600V/1Min	
Torque Value	ネジ締付トルク	锁紧扭力		0.5N.m (4.4Lb.In)	
Ambient temperature	环境温度	环境温度		-40°C~+105°C	
Housing	本体	塑件		PA66, UL94V-0	
Terminal	導電板	端子	Copper alloy,0.8,Tin Plated	銅合金0.8厚,錫メッキ	銅合金0.8厚,鍍錫
Screws	結線ビス	螺丝	Steel,M3,Ni Plated	鋼,M3,ニッケルメッキ	鋼,M3,鍍錫



### DEVELOPING DG24R-5



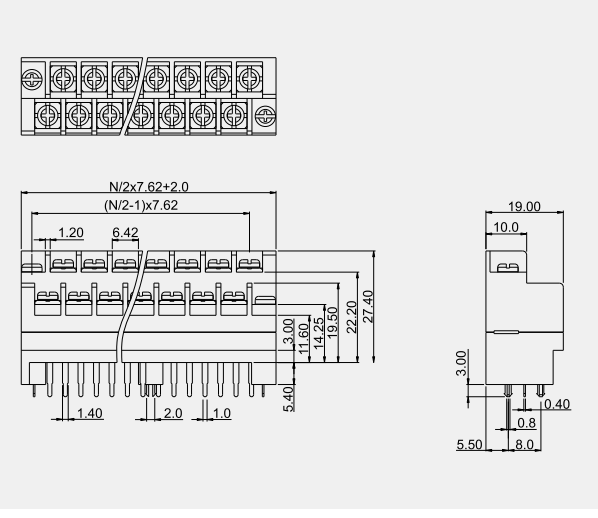
Use group	使用レベル	使用级别	B	C	D
Rated voltage	定格電圧	额定电压	300V	-	300V
Rated current	定格電流	额定电流	15A	-	10A
Wire range	電線径	导线线径		22-14AWG	
With standing voltage	耐電圧	耐电压		AC1600V/1Min	
Torque Value	ネジ締付トルク	锁紧扭力		0.5N.m (4.4Lb.In)	
Ambient temperature	环境温度	环境温度		-40°C~+105°C	
Housing	本体	塑件		PA66, UL94V-0	
Terminal	導電板	端子	Copper alloy,0.8,Tin Plated	銅合金0.8厚,錫メッキ	銅合金0.8厚,鍍錫
Screws	結線ビス	螺丝	Steel,M3,Ni Plated	鋼,M3,ニッケルメッキ	鋼,M3,鍍錫



### DEVELOPING DG24B-6



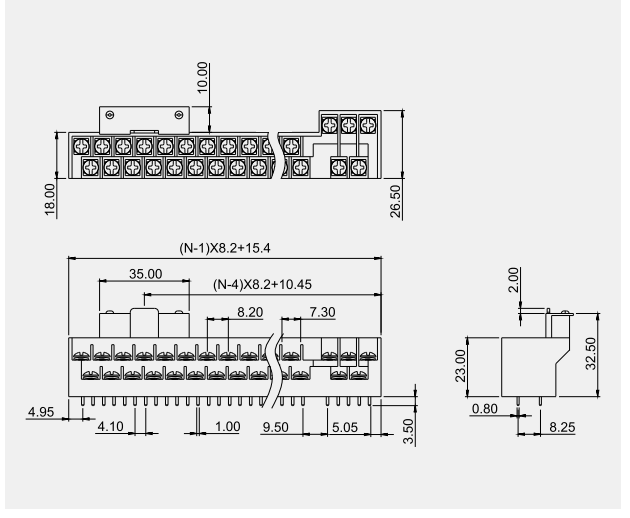
Use group	使用レベル	使用级别	B	C	D
Rated voltage	定格電圧	额定电压	300V	-	300V
Rated current	定格電流	额定电流	15A	-	10A
Wire range	電線径	导线线径		22-14AWG	
With standing voltage	耐電圧	耐电压		AC1600V/1Min	
Torque Value	ネジ締付トルク	锁紧扭力		0.5N.m (4.4Lb.In)	
Ambient temperature	环境温度	环境温度		-40°C~+105°C	
Housing	本体	塑件		PA66, UL94V-0	
Terminal	導電板	端子	Copper alloy,0.8,Tin Plated	銅合金0.8厚,錫メッキ	銅合金0.8厚,鍍錫
Screws	結線ビス	螺丝	Steel,M3,Ni Plated	鋼,M3,ニッケルメッキ	鋼,M3,鍍錫



### DEVELOPING DG8200-1



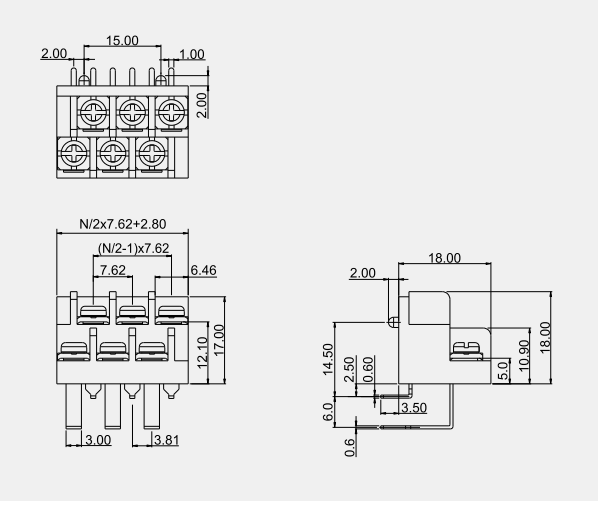
Use group	使用レベル	使用级别	B	C	D
Rated voltage	定格電圧	额定电压	300V	-	300V
Rated current	定格電流	额定电流	10A	-	10A
Wire range	電線径	导线线径		22-14AWG	
With standing voltage	耐電圧	耐电压		AC1600V/1Min	
Torque Value	ネジ締付トルク	锁紧扭力		0.5N.m (4.4Lb.In)	
Ambient temperature	环境温度	环境温度		-40°C~+105°C	
Housing	本体	塑件		PA66, UL94V-0	
Terminal	導電板	端子	Copper alloy,0.8,Tin Plated	銅合金0.8厚,錫メッキ	銅合金0.8厚,鍍錫
Screws	結線ビス	螺丝	Steel,M3,Ni Plated	鋼,M3,ニッケルメッキ	鋼,M3,鍍錫



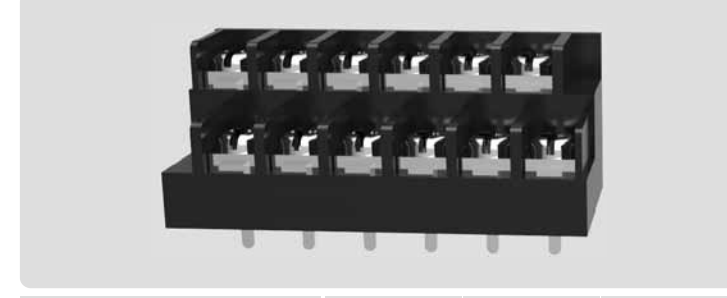
### DEVELOPING DG24R-4



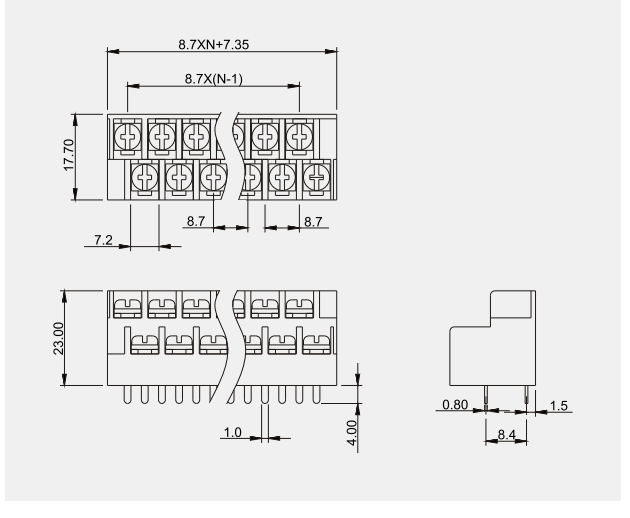
Use group	使用レベル	使用级别	B	C	D
Rated voltage	定格電圧	额定电压	300V	-	300V
Rated current	定格電流	额定电流	15A	-	10A
Wire range	電線径	导线线径		22-14AWG	
With standing voltage	耐電圧	耐电压		AC1600V/1Min	
Torque Value	ネジ締付トルク	锁紧扭力		0.5N.m (4.4Lb.In)	
Ambient temperature	环境温度	环境温度		-40°C~+105°C	
Housing	本体	塑件		PA66, UL94V-0	
Terminal	導電板	端子	Copper alloy,0.8,Tin Plated	銅合金0.8厚,錫メッキ	銅合金0.8厚,鍍錫
Screws	結線ビス	螺丝	Steel,M3,Ni Plated	鋼,M3,ニッケルメッキ	鋼,M3,鍍錫



### DEVELOPING DG8700-1

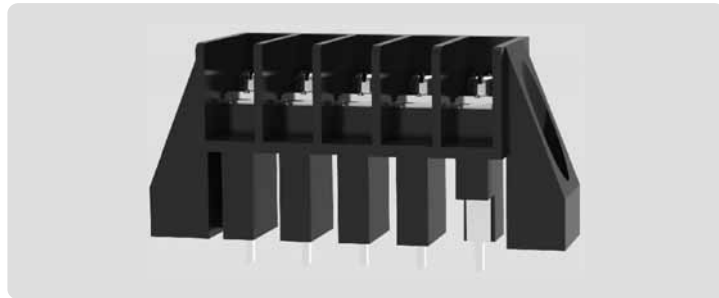


Use group	使用レベル	使用级别	B	C	D
Rated voltage	定格電圧	额定电压	250V	-	250V
Rated current	定格電流	额定电流	15A	-	10A
Wire range	電線径	导线线径		26-14AWG	
With standing voltage	耐電圧	耐电压		AC1500V/1Min	
Torque Value	ネジ締付トルク	锁紧扭力		0.8N.m (7.0Lb.In)	
Ambient temperature	环境温度	环境温度		-40°C~+105°C	
Housing	本体	塑件		PA66, UL94V-0	
Terminal	導電板	端子	Copper alloy,0.8,Tin Plated	銅合金0.8厚,錫メッキ	銅合金0.8厚,鍍錫
Screws	結線ビス	螺丝	Steel,M3.5,Ni Plated	鋼,M3.5,ニッケルメッキ	鋼,M3.5,鍍錫

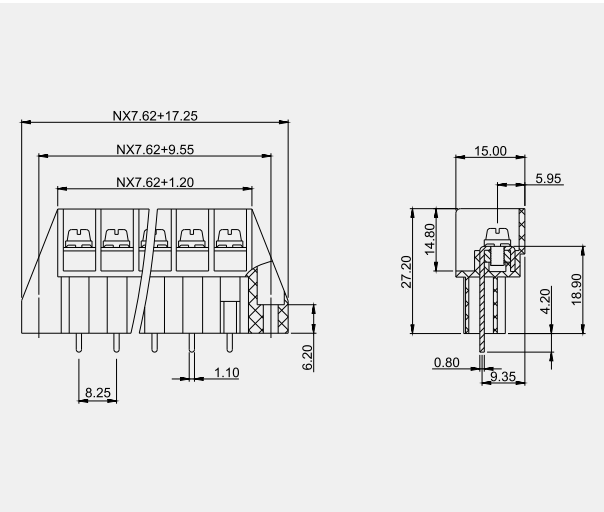




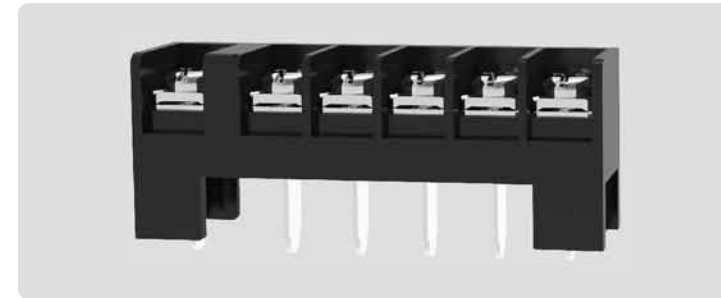
### DEVELOPING DG8250-02



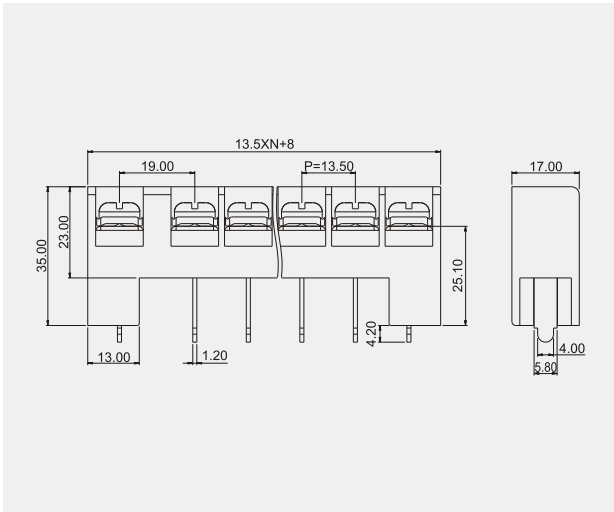
Use group	使用レベル	使用级别	B	C	D
Rated voltage	定格電圧	额定电压	300V	-	600V
Rated current	定格電流	额定电流	20A	-	5A
Wire range	電線径	导线线径		26-12AWG	
With standing voltage	耐電圧	耐电压		AC1600V/1Min	
Torque Value	ネジ締付トルク	锁紧扭力		0.5N.m (4.4Lb.In)	
Ambient temperature	环境温度	环境温度		-40°C~+105°C	
Housing	本体	塑件		PA66, UL94V-0	
Terminal	導電板	端子	Copper alloy, 0.8T, Tin Plated	銅合金0.8厚, 錫メッキ	銅合金0.8厚, 鍍錫
Screws	結線ビス	螺丝	Steel, M3, Ni Plated	鋼, M3, ニッケルメッキ	鋼, M3, 鍍錫



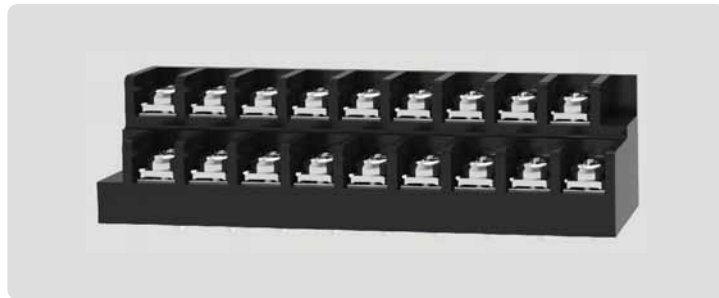
### DEVELOPING DG1350-1



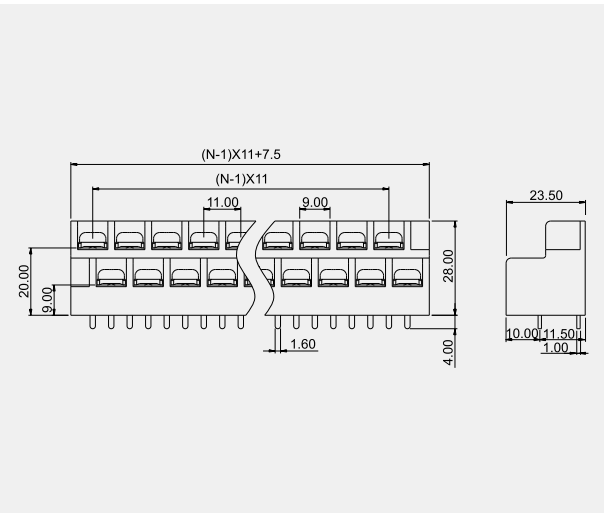
Use group	使用レベル	使用级别	B	C	D
Rated voltage	定格電圧	额定电压	300V	300V	300V
Rated current	定格電流	额定电流	20A	20A	10A
Wire range	電線径	导线线径		20-12AWG	
With standing voltage	耐電圧	耐电压		AC1600V/1Min	
Torque Value	ネジ締付トルク	锁紧扭力		2.0N.m (17.5Lb.In)	
Ambient temperature	环境温度	环境温度		-40°C~+105°C	
Housing	本体	塑件		PA66, UL94V-0	
Terminal	導電板	端子	Copper alloy, 1.2T, Tin Plated	銅合金1.2厚, 錫メッキ	銅合金1.2厚, 鍍錫
Screws	結線ビス	螺丝	Steel, M5, Ni Plated	鋼, M5, ニッケルメッキ	鋼, M5, 鍍錫



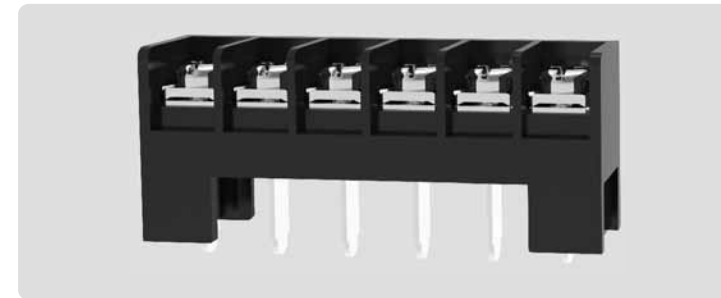
### DEVELOPING DG1100-02



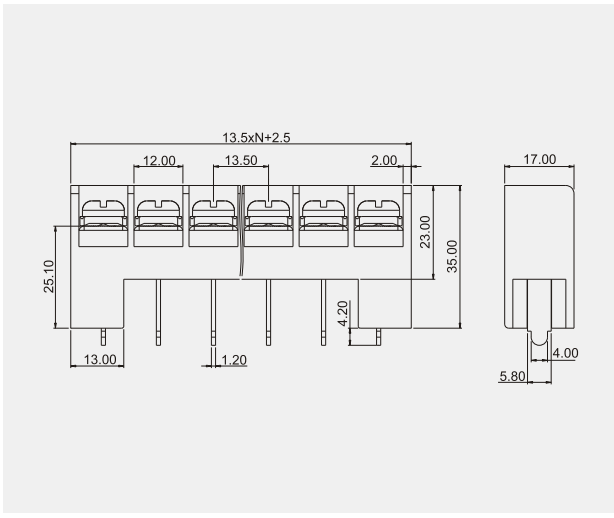
Use group	使用レベル	使用级别	B	C	D
Rated voltage	定格電圧	额定电压	250V	-	300V
Rated current	定格電流	额定电流	18A	-	10A
Wire range	電線径	导线线径		24-12AWG	
With standing voltage	耐電圧	耐电压		AC1500V/1Min	
Torque Value	ネジ締付トルク	锁紧扭力		1.2N.m (10.5Lb.In)	
Ambient temperature	环境温度	环境温度		-40°C~+105°C	
Housing	本体	塑件		PA66, UL94V-0	
Terminal	導電板	端子	Copper alloy, 1.0T, Tin Plated	銅合金1.0厚, 錫メッキ	銅合金1.0厚, 鍍錫
Screws	結線ビス	螺丝	Steel, M4, Ni Plated	鋼, M4, ニッケルメッキ	鋼, M4, 鍍錫



### DEVELOPING DG1350-2



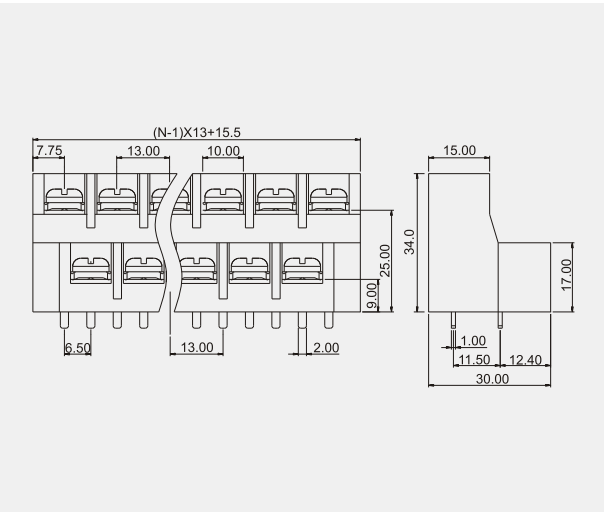
Use group	使用レベル	使用级别	B	C	D
Rated voltage	定格電圧	额定电压	300V	-	300V
Rated current	定格電流	额定电流	20A	-	10A
Wire range	電線径	导线线径		20-12AWG	
With standing voltage	耐電圧	耐电压		AC1600V/1Min	
Torque Value	ネジ締付トルク	锁紧扭力		2.0N.m (17.5Lb.In)	
Ambient temperature	环境温度	环境温度		-40°C~+105°C	
Housing	本体	塑件		PA66, UL94V-0	
Terminal	導電板	端子	Copper alloy, 1.2T, Tin Plated	銅合金1.2厚, 錫メッキ	銅合金1.2厚, 鍍錫
Screws	結線ビス	螺丝	Steel, M5, Ni Plated	鋼, M5, ニッケルメッキ	鋼, M5, 鍍錫



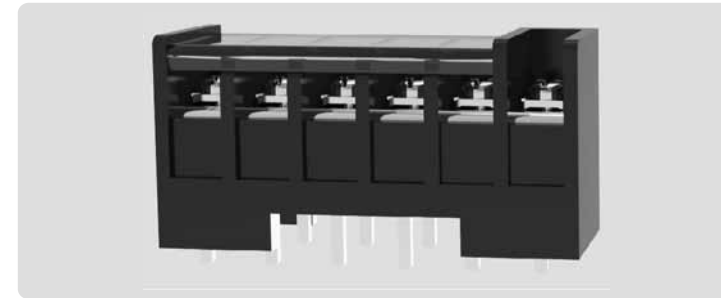
### DEVELOPING DG1300-02



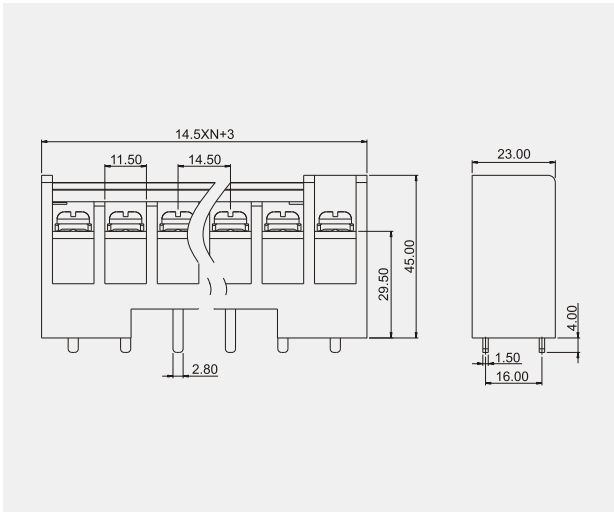
Use group	使用レベル	使用级别	B	C	D
Rated voltage	定格電圧	额定电压	600V	600V	600V
Rated current	定格電流	额定电流	40A	40A	5A
Wire range	電線径	导线线径		20-8AWG	
With standing voltage	耐電圧	耐电压		AC2200V/1Min	
Torque Value	ネジ締付トルク	锁紧扭力		1.2N.m (10.5Lb.In)	
Ambient temperature	环境温度	环境温度		-40°C~+105°C	
Housing	本体	塑件		PA66, UL94V-0	
Terminal	導電板	端子	Copper alloy, 1.0T, Tin Plated	銅合金1.0厚, 錫メッキ	銅合金1.0厚, 鍍錫
Screws	結線ビス	螺丝	Steel, M4, Ni Plated	鋼, M4, ニッケルメッキ	鋼, M4, 鍍錫



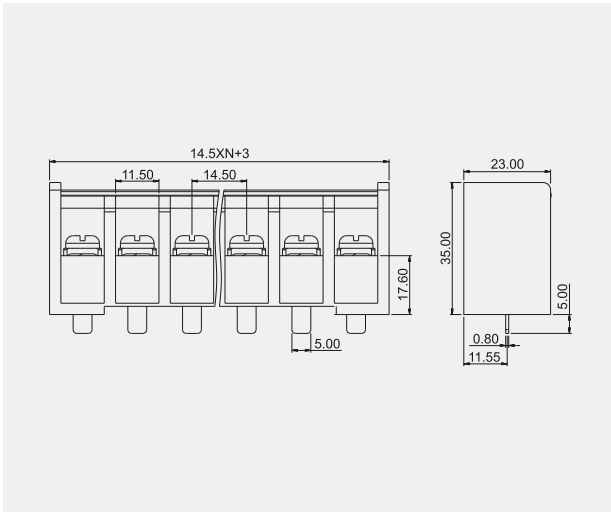
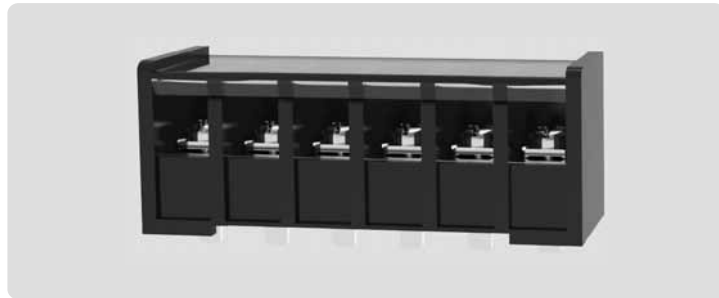
### DEVELOPING DG1450-D



Use group	使用レベル	使用级别	B	C	D
Rated voltage	定格電圧	额定电压	600V	600V	600V
Rated current	定格電流	额定电流	40A	40A	5A
Wire range	電線径	导线线径		22-8AWG	
With standing voltage	耐電圧	耐电压		AC2200V/1Min	
Torque Value	ネジ締付トルク	锁紧扭力		2.0N.m (17.5Lb.In)	
Ambient temperature	环境温度	环境温度		-40°C~+105°C	
Housing	本体	塑件		PA66, UL94V-0	
Terminal	導電板	端子	Copper alloy, 1.5T, Tin Plated	銅合金1.5厚, 錫メッキ	銅合金1.5厚, 鍍錫
Screws	結線ビス	螺丝	Steel, M5, Ni Plated	鋼, M5, ニッケルメッキ	鋼, M5, 鍍錫

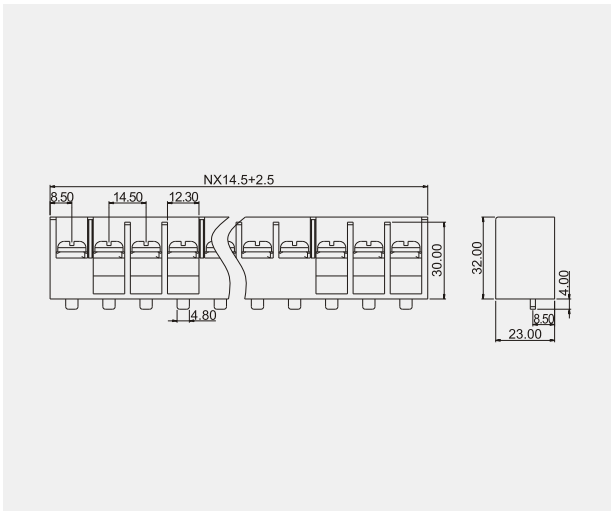
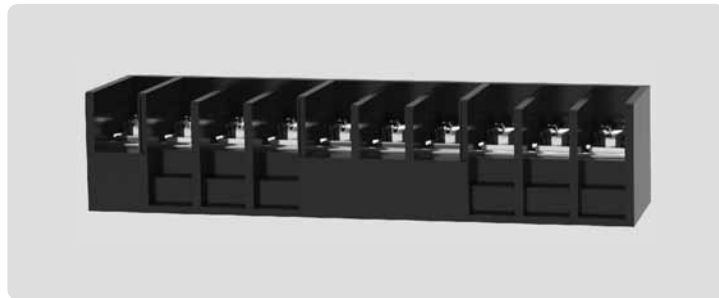


DEVELOPING  
**DG1450-B-1**



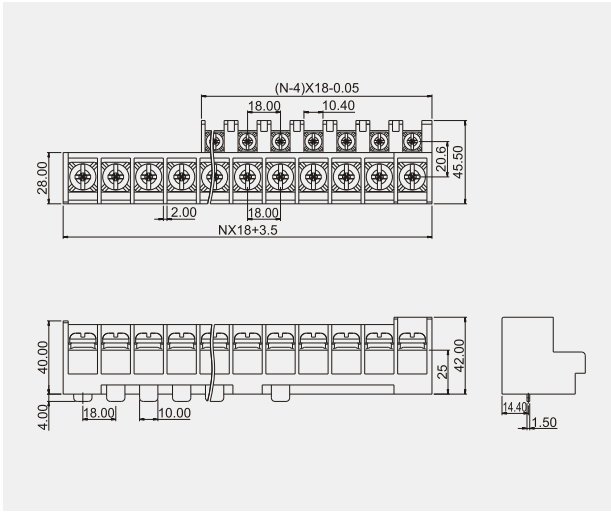
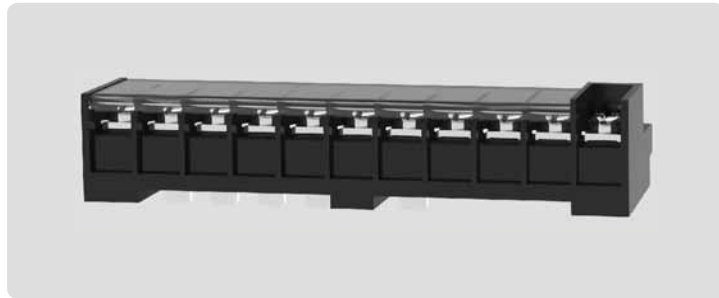
Use group	使用レベル	使用级别	B	C	D
Rated voltage	定格電圧	额定电压	600V	-	600V
Rated current	定格電流	额定电流	40A	-	5A
Wire range	電線径	导线线径	22-8AWG		
With standing voltage	耐電圧	耐电压	AC2200V/1Min		
Torque Value	ネジ締付トルク	锁紧扭力	2.0N.m (17.5Lb.In)		
Ambient temperature	环境温度	环境温度	-40°C~+105°C		
Housing	本体	塑件	PA66, UL94V-0		
Terminal	導電板	端子	Copper alloy,0.8,Tin Plated	銅合金0.8厚,錫メッキ	銅合金0.8厚,鍍錫
Screws	結線ビス	螺丝	Steel,M5,Ni Plated	鋼,M5,ニッケルメッキ	鋼,M5,鍍錫

DEVELOPING  
**DG1450A-1**



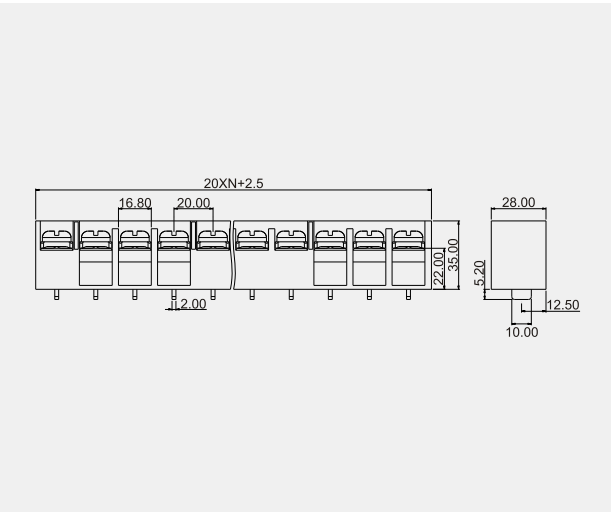
Use group	使用レベル	使用级别	B	C	D
Rated voltage	定格電圧	额定电压	600V	600V	600V
Rated current	定格電流	额定电流	57A	57A	5A
Wire range	電線径	导线线径	22-8AWG		
With standing voltage	耐電圧	耐电压	AC2200V/1Min		
Torque Value	ネジ締付トルク	锁紧扭力	2.0N.m (17.5Lb.In)		
Ambient temperature	环境温度	环境温度	-40°C~+105°C		
Housing	本体	塑件	PA66, UL94V-0		
Terminal	導電板	端子	Copper alloy,2.0,Tin Plated	銅合金2.0厚,錫メッキ	銅合金2.0厚,鍍錫
Screws	結線ビス	螺丝	Steel,M5,Ni Plated	鋼,M5,ニッケルメッキ	鋼,M5,鍍錫

DEVELOPING  
**DG1800-B**



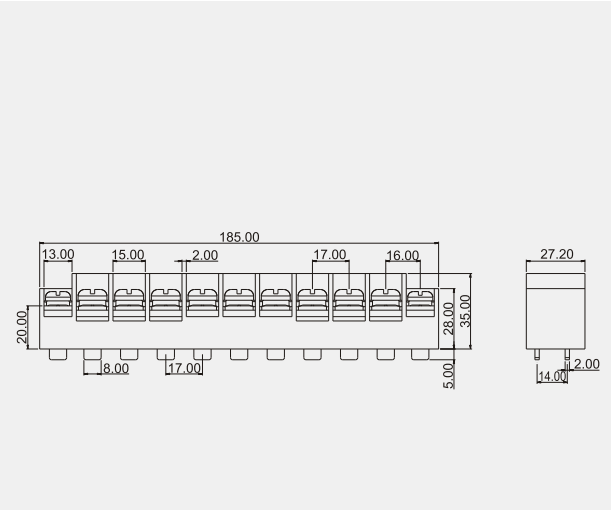
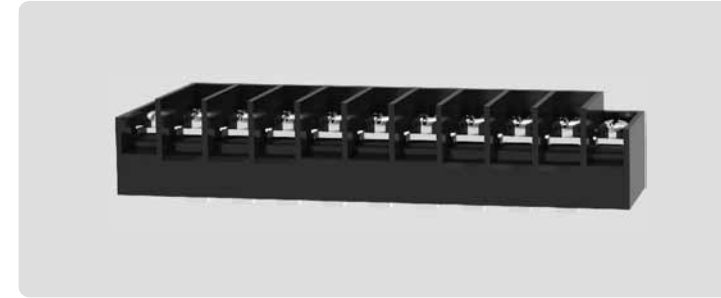
Use group	使用レベル	使用级别	B	C	D
Rated voltage	定格電圧	额定电压	600V	600V	600V
Rated current	定格電流	额定电流	75/30A	75/30A	5A
Wire range	電線径	导线线径	26-4AWG		
With standing voltage	耐電圧	耐电压	AC2200V/1Min		
Torque Value	ネジ締付トルク	锁紧扭力	2.0N.m (17.5Lb.In)		
Ambient temperature	环境温度	环境温度	-40°C~+105°C		
Housing	本体	塑件	PA66, UL94V-0		
Terminal	導電板	端子	Copper alloy,1.5,Tin Plated	銅合金1.5厚,錫メッキ	銅合金1.5厚,鍍錫
Screws	結線ビス	螺丝	Steel,M5,Ni Plated	鋼,M5,ニッケルメッキ	鋼,M5,鍍錫

DEVELOPING  
**DG2000-04**



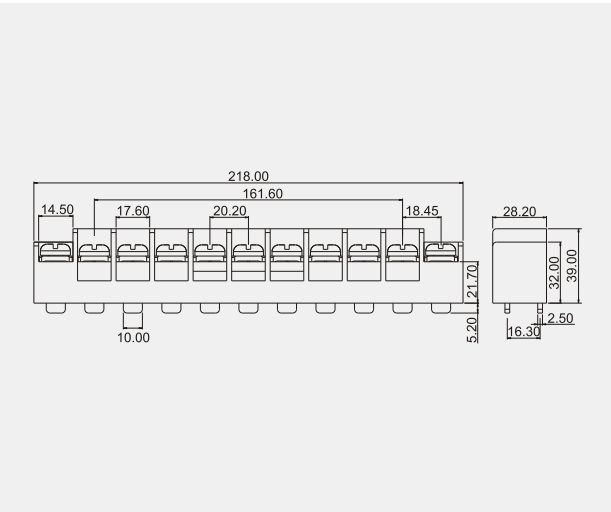
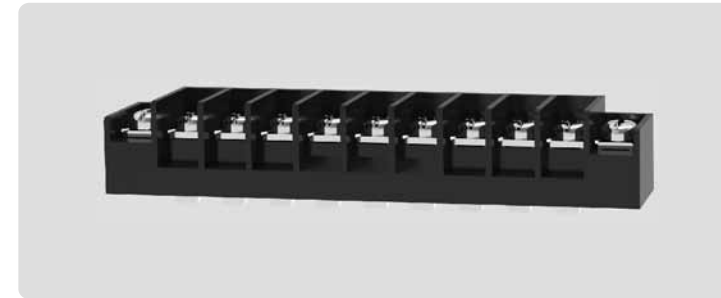
Use group	使用レベル	使用级别	B	C	D
Rated voltage	定格電圧	额定电压	600V	600V	600V
Rated current	定格電流	额定电流	75A	75A	5A
Wire range	電線径	导线线径	26-4AWG		
With standing voltage	耐電圧	耐电压	AC2200V/1Min		
Torque Value	ネジ締付トルク	锁紧扭力	2.5N.m (22.1Lb.In)		
Ambient temperature	环境温度	环境温度	-40°C~+105°C		
Housing	本体	塑件	PA66, UL94V-0		
Terminal	導電板	端子	Copper alloy,2.0,Tin Plated	銅合金2.0厚,錫メッキ	銅合金2.0厚,鍍錫
Screws	結線ビス	螺丝	Steel,M6,Ni Plated	鋼,M6,ニッケルメッキ	鋼,M6,鍍錫

DEVELOPING  
**DG2000-05**



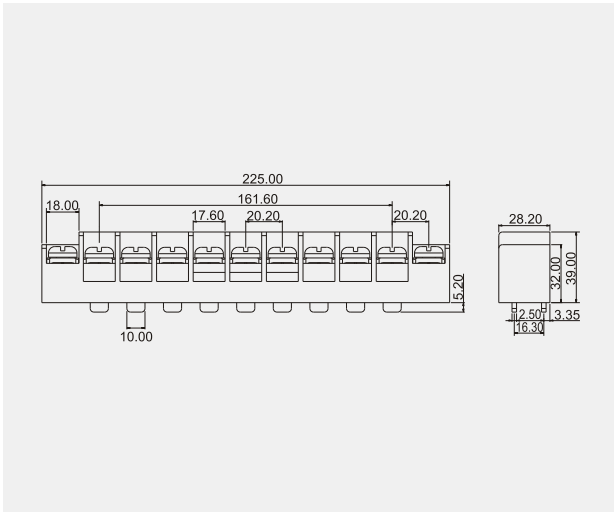
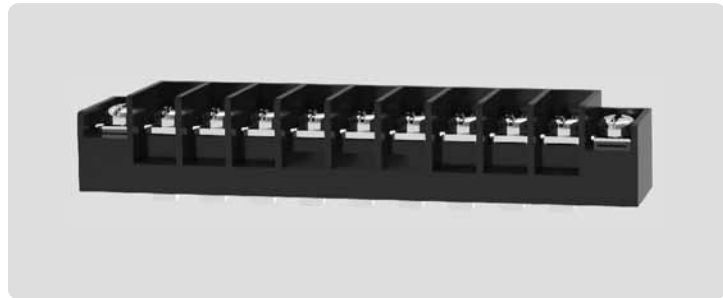
Use group	使用レベル	使用级别	B	C	D
Rated voltage	定格電圧	额定电压	600V	600V	600V
Rated current	定格電流	额定电流	75A	75A	5A
Wire range	電線径	导线线径	26-4AWG		
With standing voltage	耐電圧	耐电压	AC2200V/1Min		
Torque Value	ネジ締付トルク	锁紧扭力	2.5N.m (22.1Lb.In)		
Ambient temperature	环境温度	环境温度	-40°C~+105°C		
Housing	本体	塑件	PA66, UL94V-0		
Terminal	導電板	端子	Copper alloy,2.0,Tin Plated	銅合金2.0厚,錫メッキ	銅合金2.0厚,鍍錫
Screws	結線ビス	螺丝	Steel,M6,Ni Plated	鋼,M6,ニッケルメッキ	鋼,M6,鍍錫

DEVELOPING  
**DG2100-1**



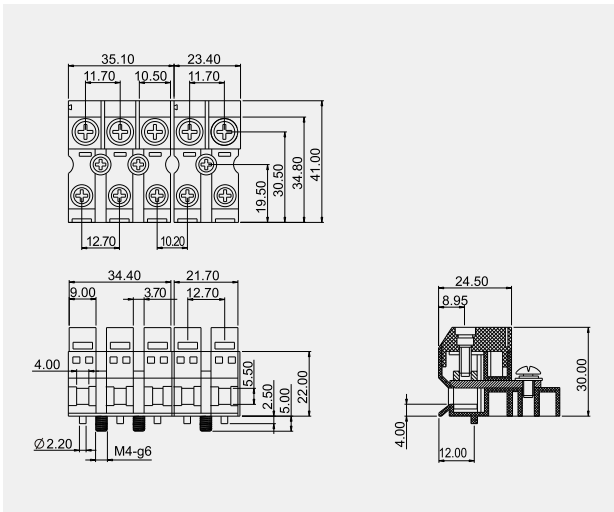
Use group	使用レベル	使用级别	B	C	D
Rated voltage	定格電圧	额定电压	600V	600V	600V
Rated current	定格電流	额定电流	100A	100A	5A
Wire range	電線径	导线线径	18-3AWG		
With standing voltage	耐電圧	耐电压	AC2200V/1Min		
Torque Value	ネジ締付トルク	锁紧扭力	2.5N.m (22.1Lb.In)		
Ambient temperature	环境温度	环境温度	-40°C~+105°C		
Housing	本体	塑件	PA66, UL94V-0		
Terminal	導電板	端子	Copper alloy,2.5,Tin Plated	銅合金2.5厚,錫メッキ	銅合金2.5厚,鍍錫
Screws	結線ビス	螺丝	Steel,M6,Ni Plated	鋼,M6,ニッケルメッキ	鋼,M6,鍍錫

### DEVELOPING DG2020-1



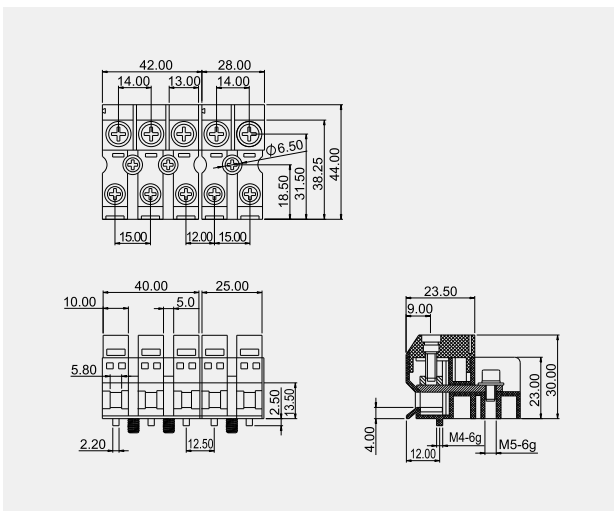
Use group	使用レベル	使用級別	B	C	D
Rated voltage	定格電圧	额定电压	600V	600V	600V
Rated current	定格電流	额定电流	100A	100A	5A
Wire range	電線径	导线线径		18-3AWG	
With standing voltage	耐電圧	耐电压		AC2200V/1Min	
Torque Value	ネジ締付トルク	锁紧扭力		2.5N.m (22.1Lb.In)	
Ambient temperature	环境温度	环境温度		-40°C~+105°C	
Housing	本体	塑件		PA66, UL94V-0	
Terminal	導電板	端子	Copper alloy, 2.5t, Tin Plated	銅合金2.5厚, 錫メッキ	銅合金, 2.5厚, 鍍錫
Screws	結線ビス	螺丝	Steel, M6, Ni Plated	鋼, M6, ニッケルメッキ	鋼, M6, 鍍銀

### DEVELOPING DG60-01



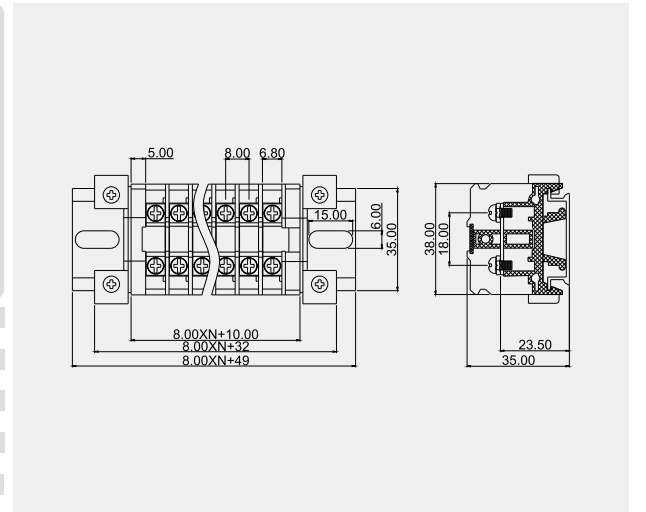
Use group	使用レベル	使用級別	B	C	D
Rated voltage	定格電圧	额定电压	600V	600V	-
Rated current	定格電流	额定电流	60A	60A	-
Wire range	電線径	导线线径		26-8AWG	
With standing voltage	耐電圧	耐电压		AC2200V/1Min	
Torque Value	ネジ締付トルク	锁紧扭力		1.2N.m (10.5Lb.In)	
Ambient temperature	环境温度	环境温度		-40°C~+105°C	
Housing	本体	塑件		PA66, UL94V-0	
Terminal	導電板	端子	Copper alloy, 1.5t, Tin Plated	銅合金1.5厚, 錫メッキ	銅合金, 1.5厚, 鍍錫
Screws	結線ビス	螺丝	Steel, M4, Ni Plated	鋼, M4, ニッケルメッキ	鋼, M4, 鍍銀

### DEVELOPING DG90-01



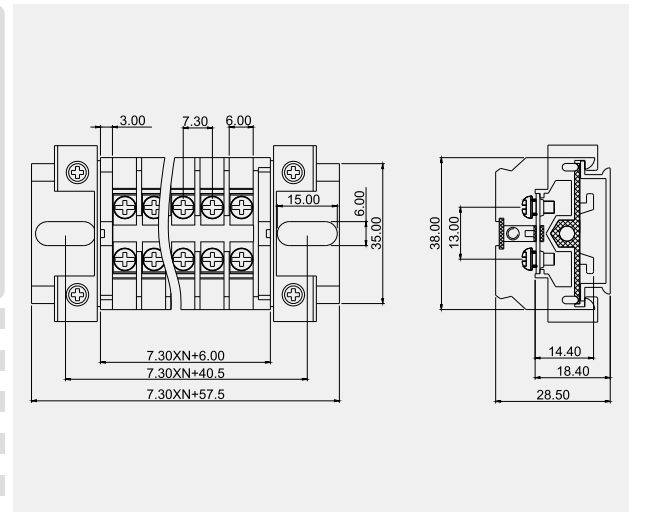
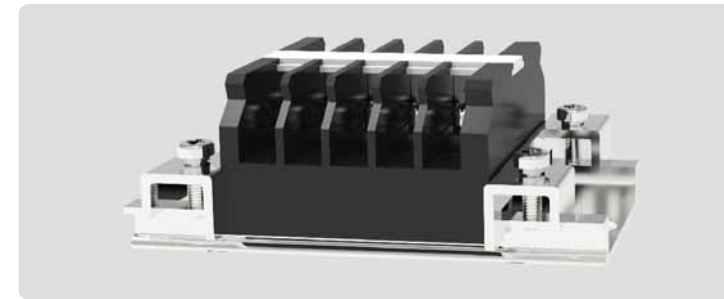
Use group	使用レベル	使用級別	B	C	D
Rated voltage	定格電圧	额定电压	600V	600V	-
Rated current	定格電流	额定电流	90A	90A	-
Wire range	電線径	导线线径		20-4AWG	
With standing voltage	耐電圧	耐电压		AC2200V/1Min	
Torque Value	ネジ締付トルク	锁紧扭力		2.0N.m (17.5Lb.In)	
Ambient temperature	环境温度	环境温度		-40°C~+105°C	
Housing	本体	塑件		PA66, UL94V-0	
Terminal	導電板	端子	Copper alloy, 2.0t, Tin Plated	銅合金2.0厚, 錫メッキ	銅合金, 2.0厚, 鍍錫
Screws	結線ビス	螺丝	Steel, M5, Ni Plated	鋼, M5, ニッケルメッキ	鋼, M5, 鍍銀

### DEVELOPING DGR10-00



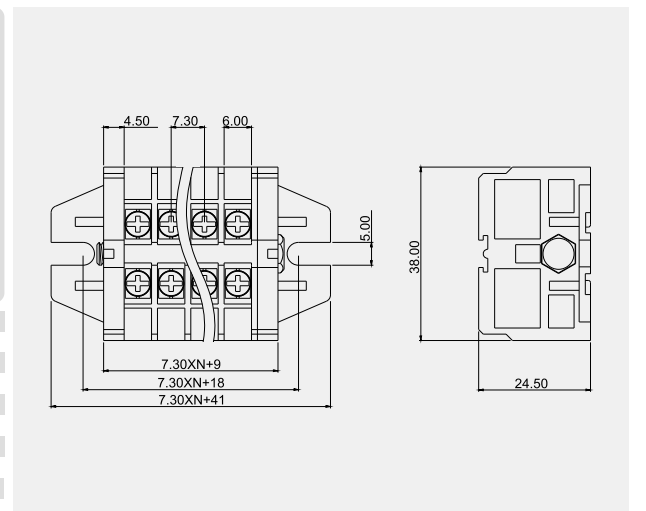
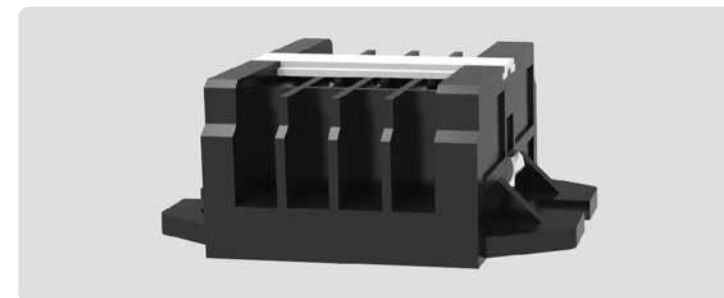
Use group	使用レベル	使用級別	B	C	D
Rated voltage	定格電圧	额定电压	600V	600V	-
Rated current	定格電流	额定电流	10A	10A	-
Wire range	電線径	导线线径		24-16AWG	
With standing voltage	耐電圧	耐电压		AC2200V/1Min	
Torque Value	ネジ締付トルク	锁紧扭力		0.5N.m (4.4Lb.In)	
Ambient temperature	环境温度	环境温度		-40°C~+105°C	
Housing	本体	塑件		PA66, UL94V-0	
Terminal	導電板	端子	Copper alloy, 2.0t, Tin Plated	銅合金2.0厚, 錫メッキ	銅合金, 2.0厚, 鍍錫
Screws	結線ビス	螺丝	Steel, M3, Ni Plated	鋼, M3, ニッケルメッキ	鋼, M3, 鍍銀

### DEVELOPING DGR10-01



Use group	使用レベル	使用級別	B	C	D
Rated voltage	定格電圧	额定电压	600V	600V	-
Rated current	定格電流	额定电流	10A	10A	-
Wire range	電線径	导线线径		24-16AWG	
With standing voltage	耐電圧	耐电压		AC2200V/1Min	
Torque Value	ネジ締付トルク	锁紧扭力		0.5N.m (4.4Lb.In)	
Ambient temperature	环境温度	环境温度		-40°C~+105°C	
Housing	本体	塑件		PA66, UL94V-0	
Terminal	導電板	端子	Copper alloy, 2.0t, Tin Plated	銅合金2.0厚, 錫メッキ	銅合金, 2.0厚, 鍍錫
Screws	結線ビス	螺丝	Steel, M5, Ni Plated	鋼, M5, ニッケルメッキ	鋼, M5, 鍍銀

### DEVELOPING DGR10-A



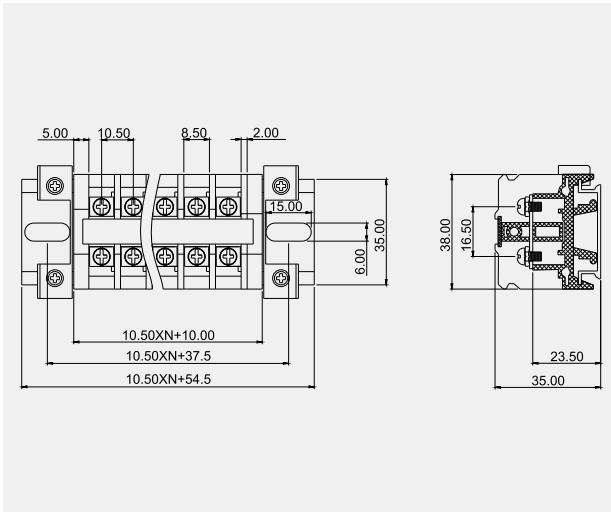
Use group	使用レベル	使用級別	B	C	D
Rated voltage	定格電圧	额定电压	600V	600V	-
Rated current	定格電流	额定电流	10A	10A	-
Wire range	電線径	导线线径		24-16AWG	
With standing voltage	耐電圧	耐电压		AC2200V/1Min	
Torque Value	ネジ締付トルク	锁紧扭力		0.5N.m (4.4Lb.In)	
Ambient temperature	环境温度	环境温度		-40°C~+105°C	
Housing	本体	塑件		PA66, UL94V-0	
Terminal	導電板	端子	Copper alloy, 2.0t, Tin Plated	銅合金2.0厚, 錫メッキ	銅合金, 2.0厚, 鍍錫
Screws	結線ビス	螺丝	Steel, M3, Ni Plated	鋼, M3, ニッケルメッキ	鋼, M3, 鍍銀



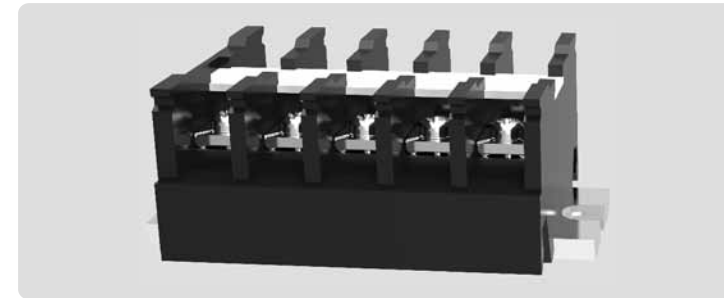
DEVELOPING DGR15-01



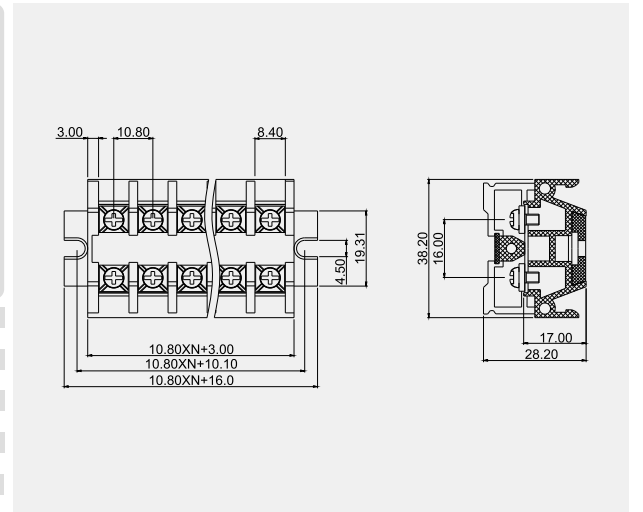
Use group	使用レベル	使用級別	B	C	D
Rated voltage	定格電圧	额定电压	600V	600V	-
Rated current	定格電流	额定电流	15A	15A	-
Wire range	電線径	导线线径		24-14AWG	
With standing voltage	耐電圧	耐电压		AC2200V/1Min	
Torque Value	ネジ締付トルク	锁紧扭力		0.8N.m (7.0Lb.In)	
Ambient temperature	環境温度	环境温度		-40°C~+105°C	
Housing	本体	塑件		PA66, UL94V-0	
Terminal	導電板	端子	Copper alloy, 2.0t, Tin Plated	銅合金20厚, 錫メッキ	銅合金, 2.0厚, 鍍銀
Screws	結線ビス	螺丝	Steel, M3.5, Ni Plated	鋼, M3.5, ニッケルメッキ	鋼, M3.5, 鍍銀



DEVELOPING DGR20-02



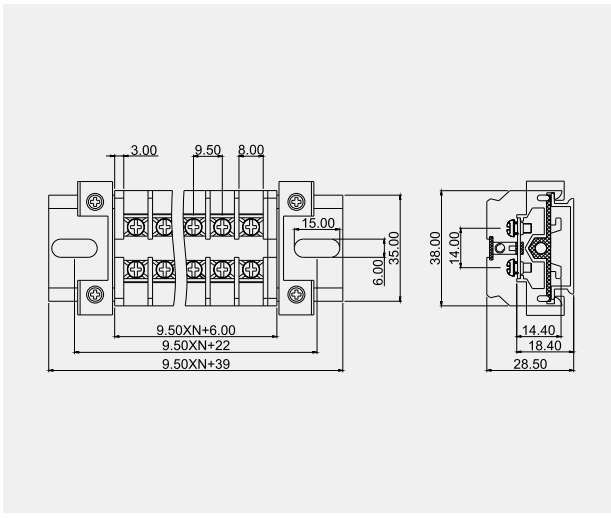
Use group	使用レベル	使用級別	B	C	D
Rated voltage	定格電圧	额定电压	600V	600V	-
Rated current	定格電流	额定电流	20A	20A	-
Wire range	電線径	导线线径		24-12AWG	
With standing voltage	耐電圧	耐电压		AC2200V/1Min	
Torque Value	ネジ締付トルク	锁紧扭力		1.2N.m (10.5Lb.In)	
Ambient temperature	環境温度	环境温度		-40°C~+105°C	
Housing	本体	塑件		PA66, UL94V-0	
Terminal	導電板	端子	Copper alloy, 2.0t, Tin Plated	銅合金20厚, 錫メッキ	銅合金, 2.0厚, 鍍銀
Screws	結線ビス	螺丝	Steel, M4, Ni Plated	鋼, M4, ニッケルメッキ	鋼, M4, 鍍銀



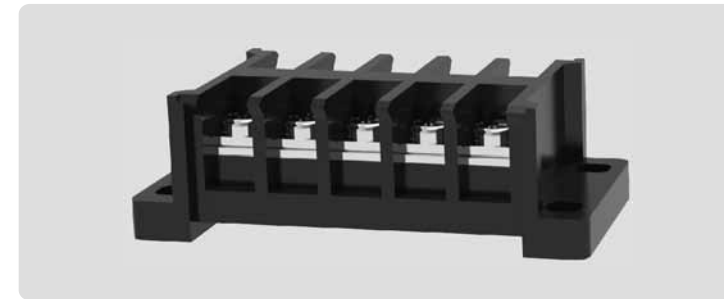
DEVELOPING DGR20-01



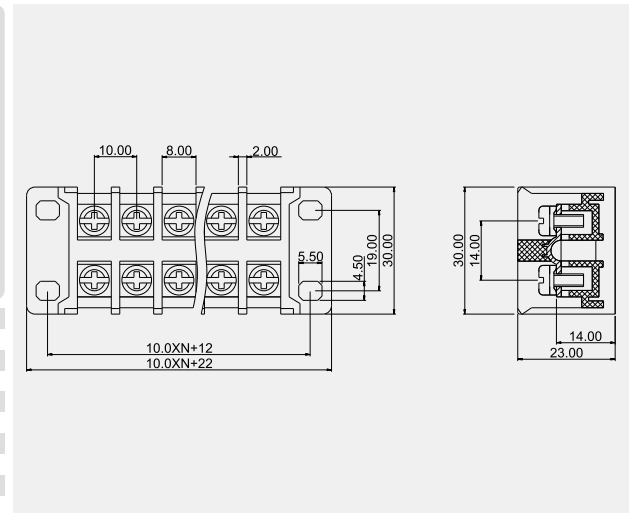
Use group	使用レベル	使用級別	B	C	D
Rated voltage	定格電圧	额定电压	600V	600V	-
Rated current	定格電流	额定电流	20A	20A	-
Wire range	電線径	导线线径		24-14AWG	
With standing voltage	耐電圧	耐电压		AC2200V/1Min	
Torque Value	ネジ締付トルク	锁紧扭力		0.8N.m (7.0Lb.In)	
Ambient temperature	環境温度	环境温度		-40°C~+105°C	
Housing	本体	塑件		PA66, UL94V-0	
Terminal	導電板	端子	Copper alloy, 2.0t, Tin Plated	銅合金20厚, 錫メッキ	銅合金, 2.0厚, 鍍銀
Screws	結線ビス	螺丝	Steel, M3.5, Ni Plated	鋼, M3.5, ニッケルメッキ	鋼, M3.5, 鍍銀



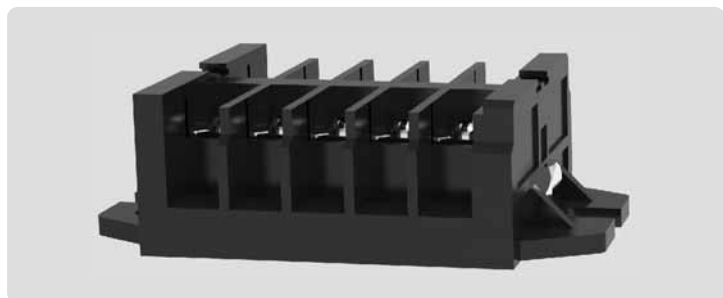
DEVELOPING DGR20-03



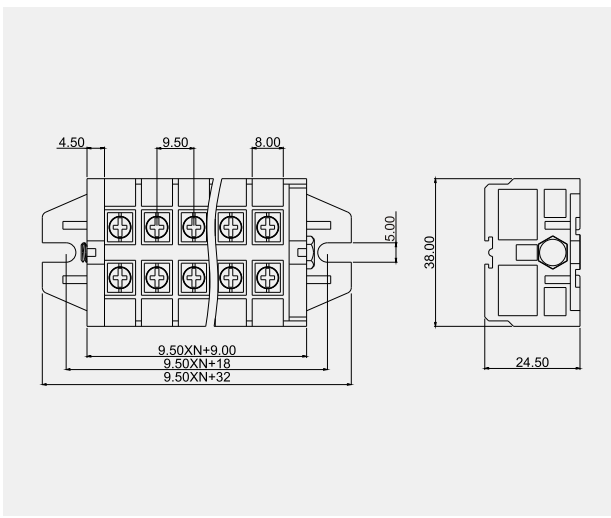
Use group	使用レベル	使用級別	B	C	D
Rated voltage	定格電圧	额定电压	300V	-	300V
Rated current	定格電流	额定电流	20A	-	10A
Wire range	電線径	导线线径		24-12AWG	
With standing voltage	耐電圧	耐电压		AC1600V/1Min	
Torque Value	ネジ締付トルク	锁紧扭力		0.8N.m (7.0Lb.In)	
Ambient temperature	環境温度	环境温度		-40°C~+105°C	
Housing	本体	塑件		PA66, UL94V-0	
Terminal	導電板	端子	Copper alloy, 2.0t, Tin Plated	銅合金20厚, 錫メッキ	銅合金, 2.0厚, 鍍銀
Screws	結線ビス	螺丝	Steel, M3.5, Ni Plated	鋼, M3.5, ニッケルメッキ	鋼, M3.5, 鍍銀



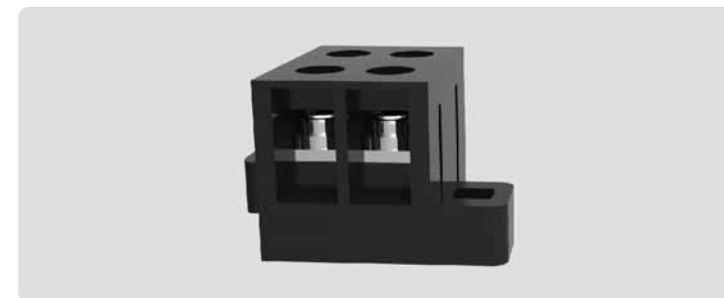
DEVELOPING DGR20-A



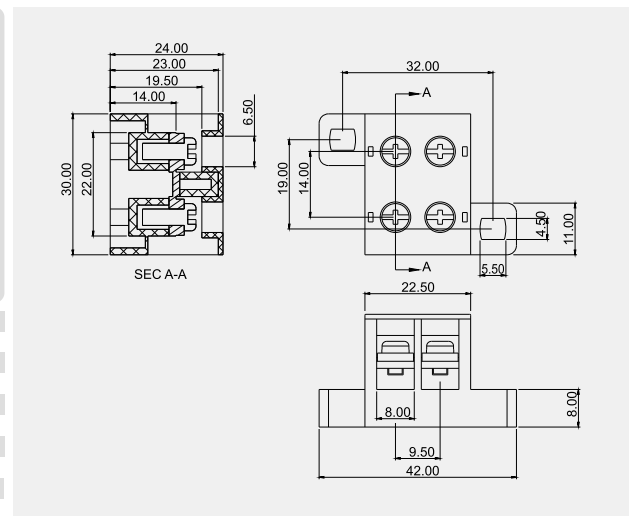
Use group	使用レベル	使用級別	B	C	D
Rated voltage	定格電圧	额定电压	600V	600V	-
Rated current	定格電流	额定电流	20A	20A	-
Wire range	電線径	导线线径		24-14AWG	
With standing voltage	耐電圧	耐电压		AC2200V/1Min	
Torque Value	ネジ締付トルク	锁紧扭力		0.8N.m (7.0Lb.In)	
Ambient temperature	環境温度	环境温度		-40°C~+105°C	
Housing	本体	塑件		PA66, UL94V-0	
Terminal	導電板	端子	Copper alloy, 2.0t, Tin Plated	銅合金20厚, 錫メッキ	銅合金, 2.0厚, 鍍銀
Screws	結線ビス	螺丝	Steel, M3.5, Ni Plated	鋼, M3.5, ニッケルメッキ	鋼, M3.5, 鍍銀



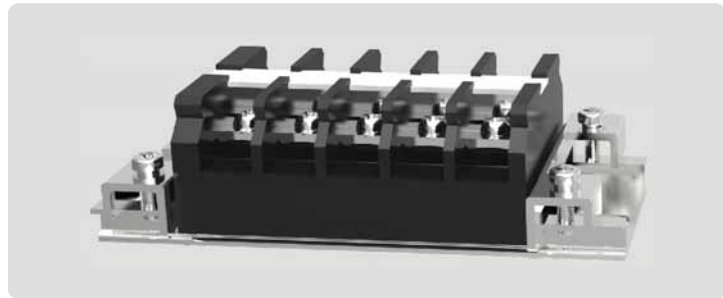
DEVELOPING DGR20-AF



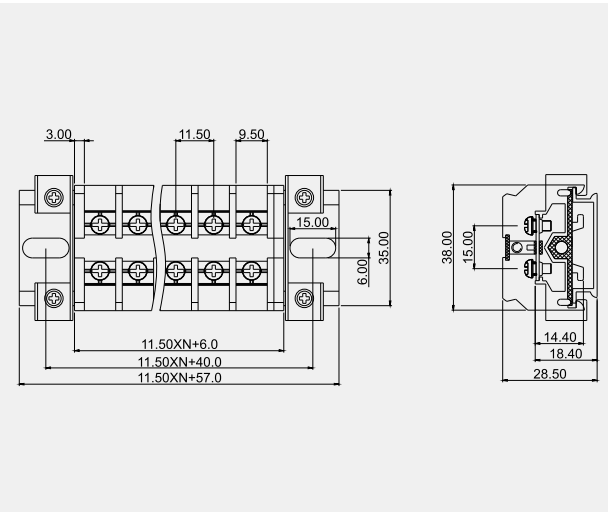
Use group	使用レベル	使用級別	B	C	D
Rated voltage	定格電圧	额定电压	300V	300V	-
Rated current	定格電流	额定电流	20A	20A	-
Wire range	電線径	导线线径		24-12AWG	
With standing voltage	耐電圧	耐电压		AC1600V/1Min	
Torque Value	ネジ締付トルク	锁紧扭力		0.8N.m (7.0Lb.In)	
Ambient temperature	環境温度	环境温度		-40°C~+105°C	
Housing	本体	塑件		PA66, UL94V-0	
Terminal	導電板	端子	Copper alloy, 2.0t, Tin Plated	銅合金20厚, 錫メッキ	銅合金, 2.0厚, 鍍銀
Screws	結線ビス	螺丝	Steel, M3.5, Ni Plated	鋼, M3.5, ニッケルメッキ	鋼, M3.5, 鍍銀



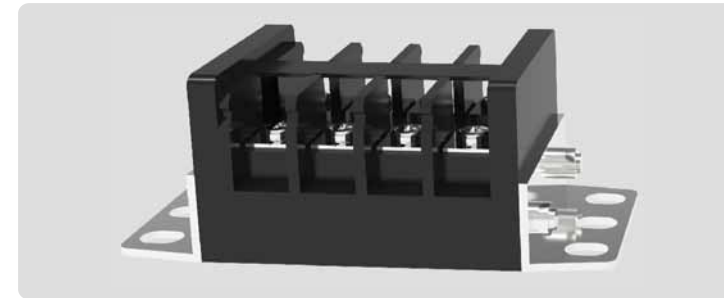
### DEVELOPING DGR30-01-100A



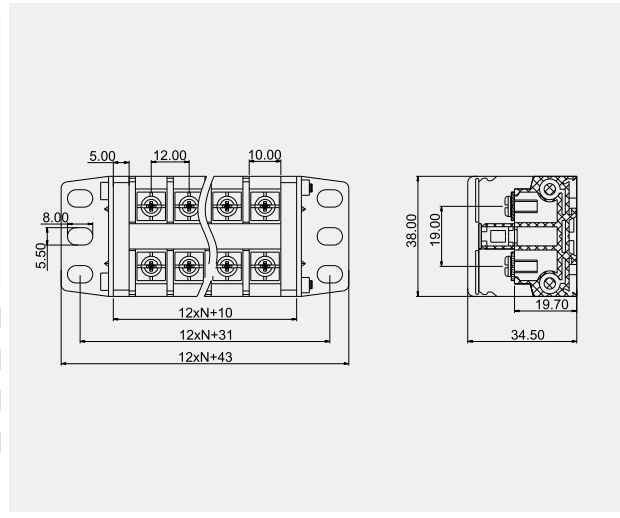
Use group	使用レベル	使用级别	B	C	D
Rated voltage	定格電圧	额定电压	600V	600V	600V
Rated current	定格電流	额定电流	30A	30A	5A
Wire range	電線径	导线线径		20-10AWG	
With standing voltage	耐電圧	耐电压		AC2200V/1Min	
Torque Value	ネジ締付トルク	锁紧扭力		1.2N.m (10.5Lb.In)	
Ambient temperature	环境温度	环境温度		-40°C~+105°C	
Housing	本体	塑件		PA66, UL94V-0	
Terminal	導電板	端子	Copper alloy,2.5,Tin Plated	銅合金25厚,錫メッキ	銅合金,2.5厚,鍍錫
Screws	結線ビス	螺丝	Steel,M4,Ni Plated	鋼,M4,ニッケルメッキ	鋼,M4,鍍錫



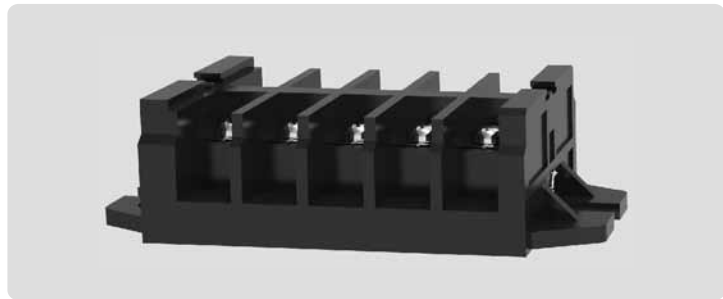
### DEVELOPING DGR30-02-20A



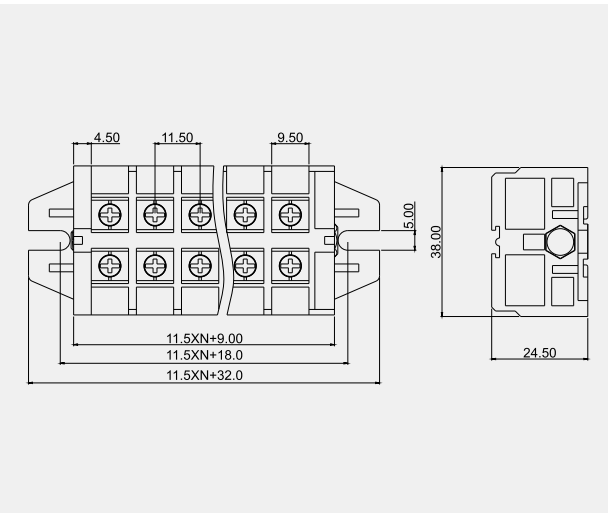
Use group	使用レベル	使用级别	B	C	D
Rated voltage	定格電圧	额定电压	600V	600V	600V
Rated current	定格電流	额定电流	30A	30A	5A
Wire range	電線径	导线线径		20-10AWG	
With standing voltage	耐電圧	耐电压		AC2200V/1Min	
Torque Value	ネジ締付トルク	锁紧扭力		1.2N.m (10.5Lb.In)	
Ambient temperature	环境温度	环境温度		-40°C~+105°C	
Housing	本体	塑件		PA66, UL94V-0	
Terminal	導電板	端子	Copper alloy,2.5,Tin Plated	銅合金25厚,錫メッキ	銅合金,2.5厚,鍍錫
Screws	結線ビス	螺丝	Steel,M4,Ni Plated	鋼,M4,ニッケルメッキ	鋼,M4,鍍錫



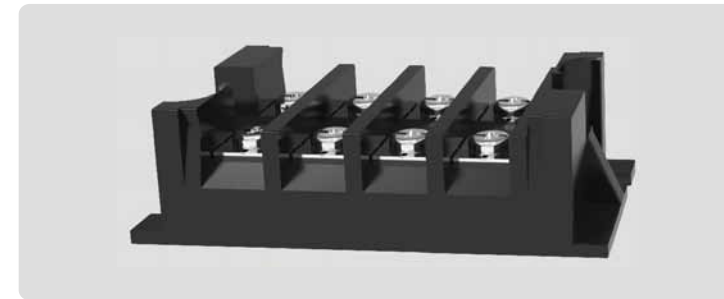
### DEVELOPING DGR30-01-AF



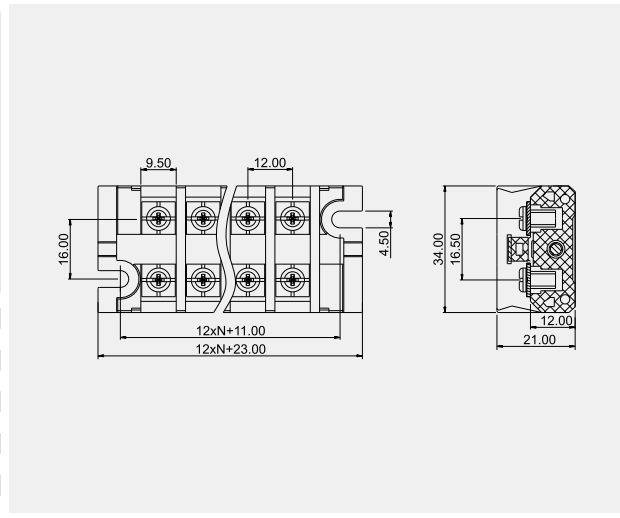
Use group	使用レベル	使用级别	B	C	D
Rated voltage	定格電圧	额定电压	600V	600V	600V
Rated current	定格電流	额定电流	30A	30A	5A
Wire range	電線径	导线线径		20-10AWG	
With standing voltage	耐電圧	耐电压		AC2200V/1Min	
Torque Value	ネジ締付トルク	锁紧扭力		1.2N.m (10.5Lb.In)	
Ambient temperature	环境温度	环境温度		-40°C~+105°C	
Housing	本体	塑件		PA66, UL94V-0	
Terminal	導電板	端子	Copper alloy,2.5,Tin Plated	銅合金25厚,錫メッキ	銅合金,2.5厚,鍍錫
Screws	結線ビス	螺丝	Steel,M4,Ni Plated	鋼,M4,ニッケルメッキ	鋼,M4,鍍錫



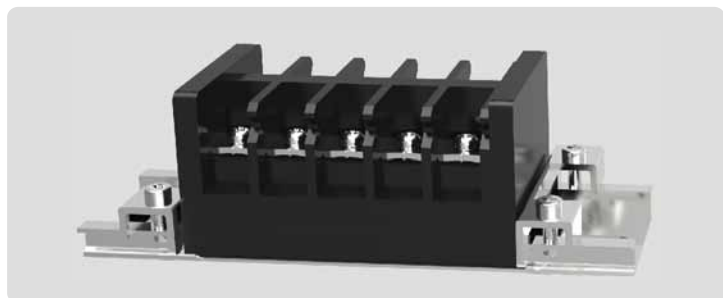
### DEVELOPING DGR30-03-AF



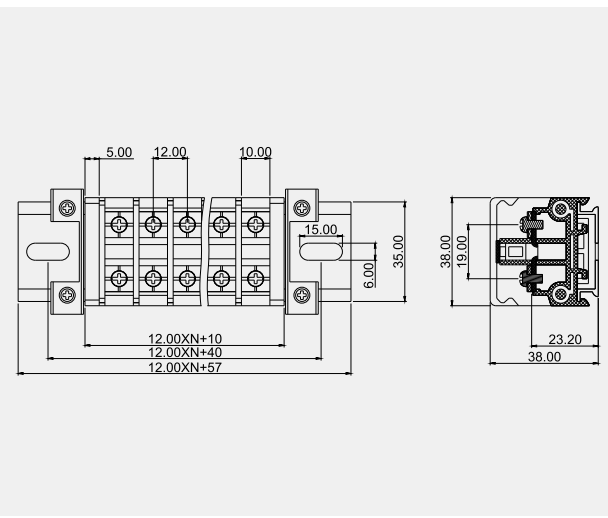
Use group	使用レベル	使用级别	B	C	D
Rated voltage	定格電圧	额定电压	600V	600V	600V
Rated current	定格電流	额定电流	30A	30A	5A
Wire range	電線径	导线线径		20-10AWG	
With standing voltage	耐電圧	耐电压		AC2200V/1Min	
Torque Value	ネジ締付トルク	锁紧扭力		1.2N.m (10.5Lb.In)	
Ambient temperature	环境温度	环境温度		-40°C~+105°C	
Housing	本体	塑件		PA66, UL94V-0	
Terminal	導電板	端子	Copper alloy,2.5,Tin Plated	銅合金25厚,錫メッキ	銅合金,2.5厚,鍍錫
Screws	結線ビス	螺丝	Steel,M4,Ni Plated	鋼,M4,ニッケルメッキ	鋼,M4,鍍錫



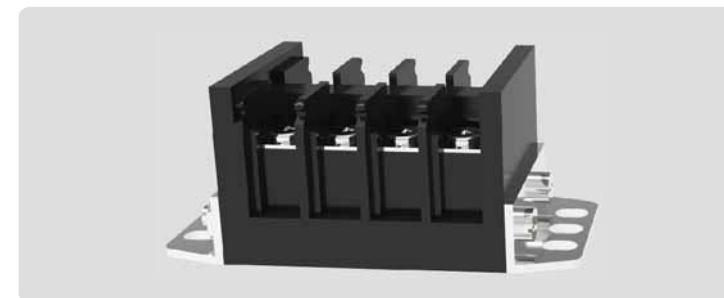
### DEVELOPING DGR30-02-100A



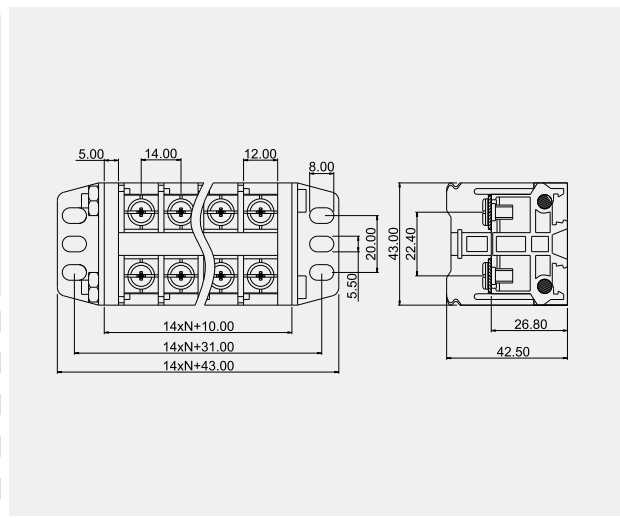
Use group	使用レベル	使用级别	B	C	D
Rated voltage	定格電圧	额定电压	600V	600V	600V
Rated current	定格電流	额定电流	30A	30A	5A
Wire range	電線径	导线线径		20-10AWG	
With standing voltage	耐電圧	耐电压		AC2200V/1Min	
Torque Value	ネジ締付トルク	锁紧扭力		1.2N.m (10.5Lb.In)	
Ambient temperature	环境温度	环境温度		-40°C~+105°C	
Housing	本体	塑件		PA66, UL94V-0	
Terminal	導電板	端子	Copper alloy,2.5,Tin Plated	銅合金25厚,錫メッキ	銅合金,2.5厚,鍍錫
Screws	結線ビス	螺丝	Steel,M4,Ni Plated	鋼,M4,ニッケルメッキ	鋼,M4,鍍錫



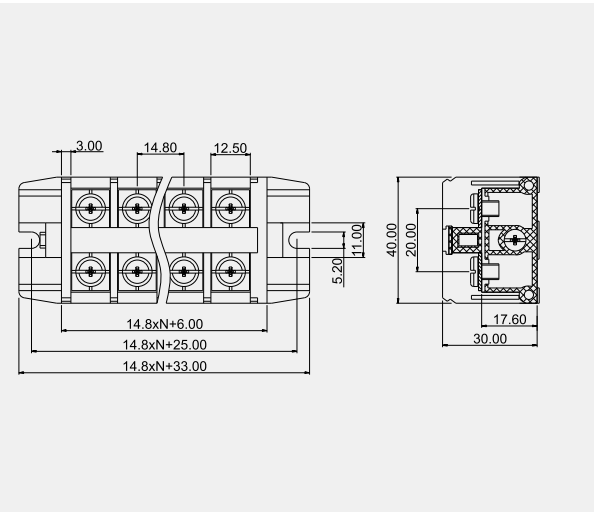
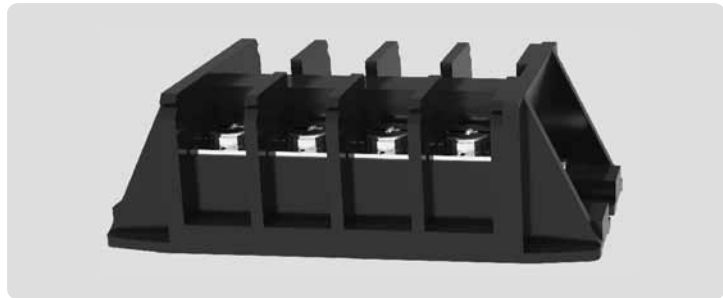
### DEVELOPING DGR40-01-20A



Use group	使用レベル	使用级别	B	C	D
Rated voltage	定格電圧	额定电压	600V	600V	-
Rated current	定格電流	额定电流	40A	40A	-
Wire range	電線径	导线线径		22-8AWG	
With standing voltage	耐電圧	耐电压		AC2200V/1Min	
Torque Value	ネジ締付トルク	锁紧扭力		2.0N.m (17.5Lb.In)	
Ambient temperature	环境温度	环境温度		-40°C~+105°C	
Housing	本体	塑件		PA66, UL94V-0	
Terminal	導電板	端子	Copper alloy,2.5,Tin Plated	銅合金25厚,錫メッキ	銅合金,2.5厚,鍍錫
Screws	結線ビス	螺丝	Steel,M5,Ni Plated	鋼,M5,ニッケルメッキ	鋼,M5,鍍錫

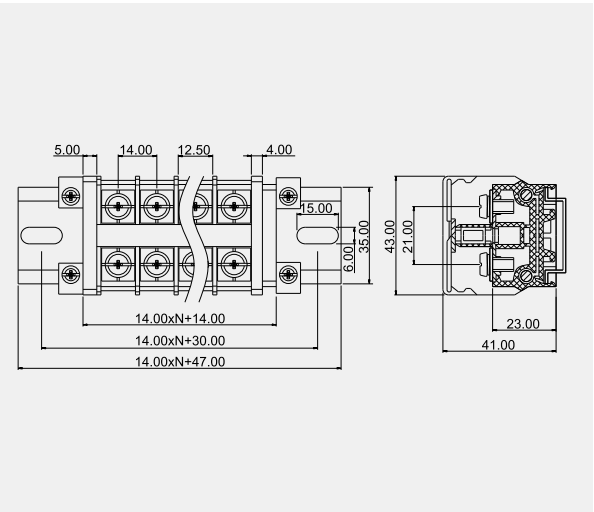
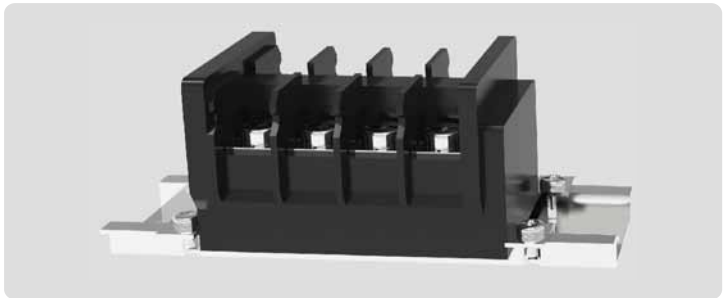


### DEVELOPING DGR40-02-20A



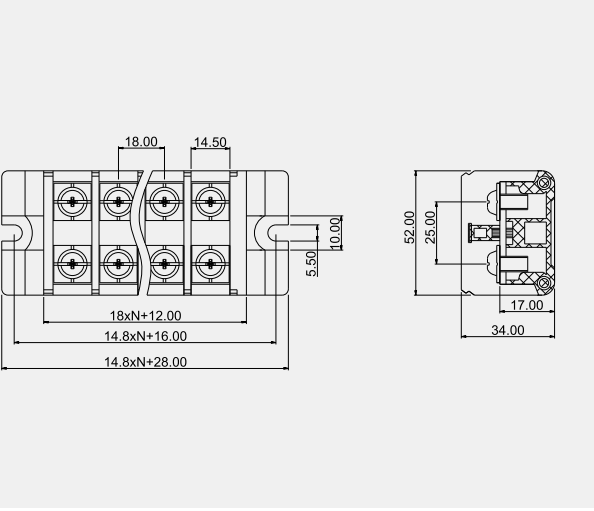
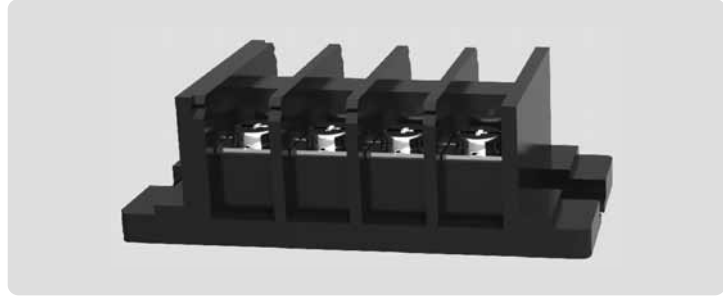
Use group	使用レベル	使用級別	B	C	D
Rated voltage	定格電圧	额定电压	600V	600V	600V
Rated current	定格電流	额定电流	40A	40A	5A
Wire range	電線径	导线线径		22-8AWG	
With standing voltage	耐電圧	耐电压		AC2200V/1Min	
Torque Value	ネジ締付トルク	锁紧扭力		2.0N.m (17.5Lb.In)	
Ambient temperature	环境温度	环境温度		-40°C~+105°C	
Housing	本体	塑件		PA66, UL94V-0	
Terminal	導電板	端子	Copper alloy, 2.5t, Tin Plated	銅合金2.5厚, 錫メッキ	銅合金, 2.5厚, 鍍錫
Screws	結線ビス	螺丝	Steel, M5, Ni Plated	鋼, M5, ニッケルメッキ	鋼, M5, 鍍錫

### DEVELOPING DGR50-01



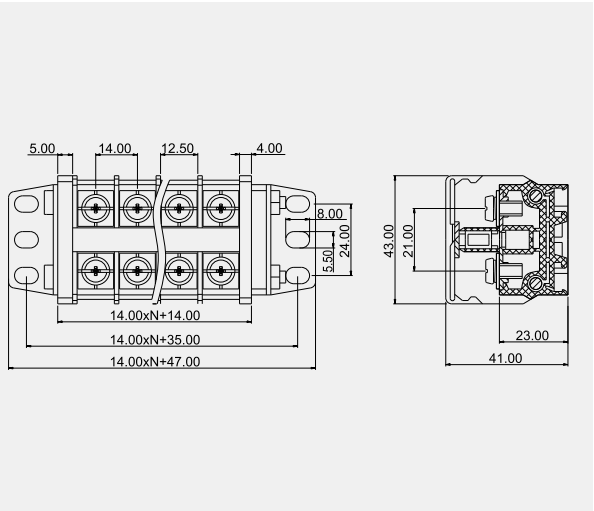
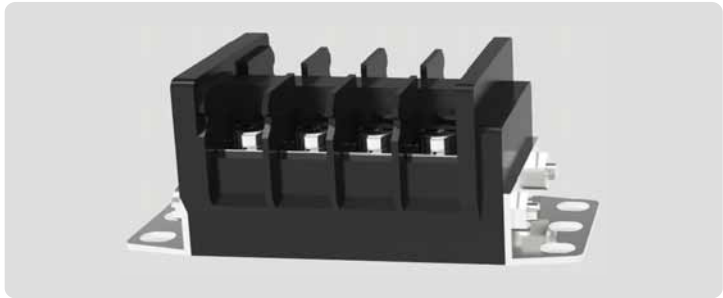
Use group	使用レベル	使用級別	B	C	D
Rated voltage	定格電圧	额定电压	600V	600V	-
Rated current	定格電流	额定电流	60A	60A	-
Wire range	電線径	导线线径		20-4AWG	
With standing voltage	耐電圧	耐电压		AC2200V/1Min	
Torque Value	ネジ締付トルク	锁紧扭力		2.0N.m (17.5Lb.In)	
Ambient temperature	环境温度	环境温度		-40°C~+105°C	
Housing	本体	塑件		PA66, UL94V-0	
Terminal	導電板	端子	Copper alloy, 2.5t, Tin Plated	銅合金2.5厚, 錫メッキ	銅合金, 2.5厚, 鍍錫
Screws	結線ビス	螺丝	Steel, M5, Ni Plated	鋼, M5, ニッケルメッキ	鋼, M5, 鍍錫

### DEVELOPING DGR40-AF



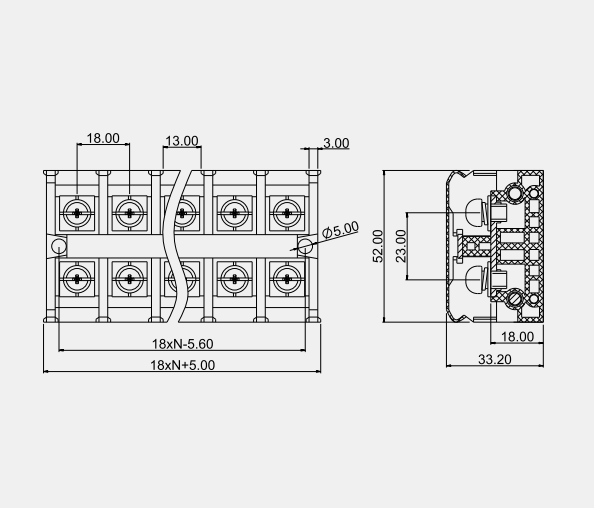
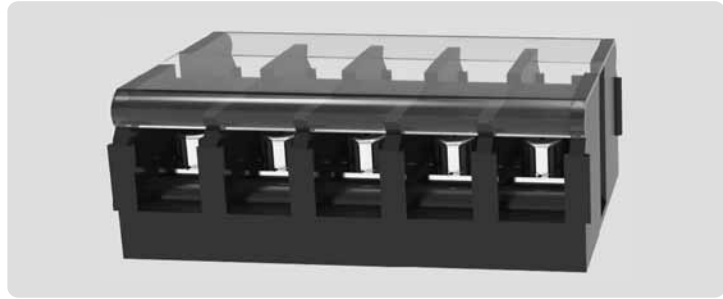
Use group	使用レベル	使用級別	B	C	D
Rated voltage	定格電圧	额定电压	600V	600V	-
Rated current	定格電流	额定电流	60A	60A	-
Wire range	電線径	导线线径		20-4AWG	
With standing voltage	耐電圧	耐电压		AC2200V/1Min	
Torque Value	ネジ締付トルク	锁紧扭力		2.0N.m (17.5Lb.In)	
Ambient temperature	环境温度	环境温度		-40°C~+105°C	
Housing	本体	塑件		PA66, UL94V-0	
Terminal	導電板	端子	Copper alloy, 2.5t, Tin Plated	銅合金2.5厚, 錫メッキ	銅合金, 2.5厚, 鍍錫
Screws	結線ビス	螺丝	Steel, M5, Ni Plated	鋼, M5, ニッケルメッキ	鋼, M5, 鍍錫

### DEVELOPING DGR50-01-20A



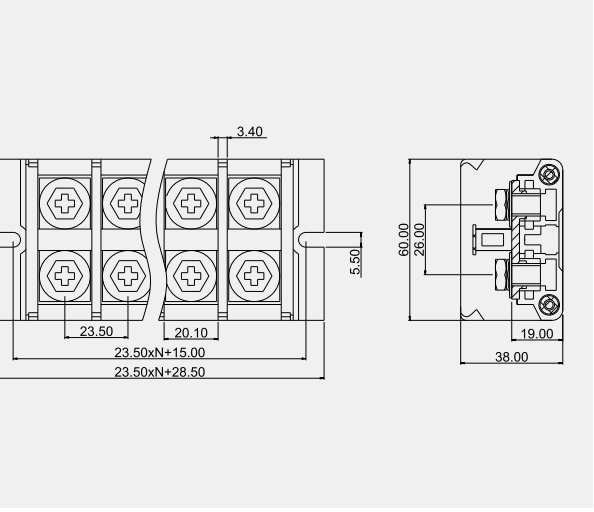
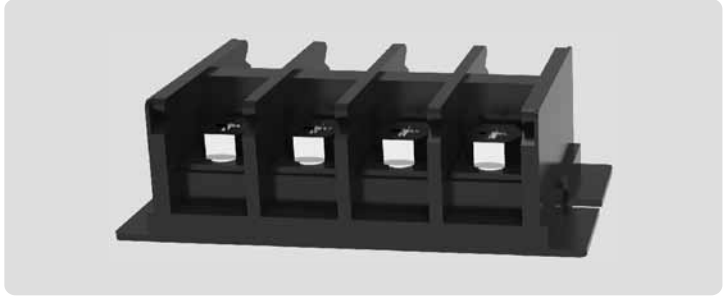
Use group	使用レベル	使用級別	B	C	D
Rated voltage	定格電圧	额定电压	600V	600V	-
Rated current	定格電流	额定电流	60A	60A	-
Wire range	電線径	导线线径		20-4AWG	
With standing voltage	耐電圧	耐电压		AC2200V/1Min	
Torque Value	ネジ締付トルク	锁紧扭力		2.0N.m (17.5Lb.In)	
Ambient temperature	环境温度	环境温度		-40°C~+105°C	
Housing	本体	塑件		PA66, UL94V-0	
Terminal	導電板	端子	Copper alloy, 2.5t, Tin Plated	銅合金2.5厚, 錫メッキ	銅合金, 2.5厚, 鍍錫
Screws	結線ビス	螺丝	Steel, M5, Ni Plated	鋼, M5, ニッケルメッキ	鋼, M5, 鍍錫

### DEVELOPING DGR60-BF



Use group	使用レベル	使用級別	B	C	D
Rated voltage	定格電圧	额定电压	600V	600V	-
Rated current	定格電流	额定电流	60A	60A	-
Wire range	電線径	导线线径		20-4AWG	
With standing voltage	耐電圧	耐电压		AC2200V/1Min	
Torque Value	ネジ締付トルク	锁紧扭力		2.5N.m (22.15Lb.In)	
Ambient temperature	环境温度	环境温度		-40°C~+105°C	
Housing	本体	塑件		PA66, UL94V-0	
Terminal	導電板	端子	Copper alloy, 2.5t, Tin Plated	銅合金2.5厚, 錫メッキ	銅合金, 2.5厚, 鍍錫
Screws	結線ビス	螺丝	Steel, M6, Ni Plated	鋼, M6, ニッケルメッキ	鋼, M6, 鍍錫

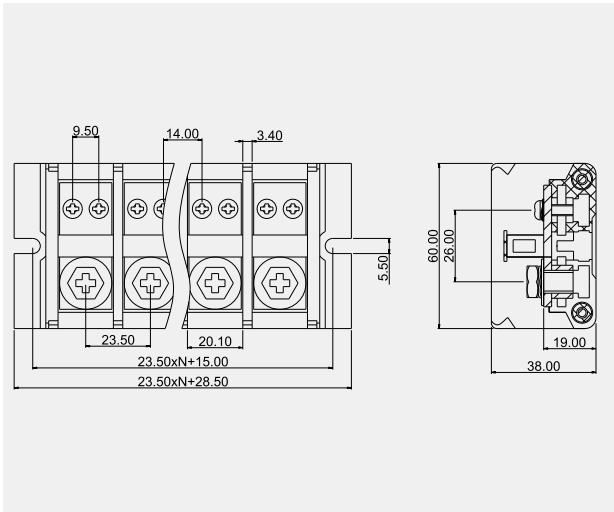
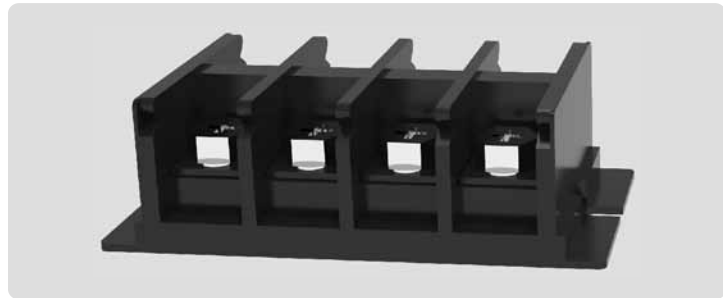
### DEVELOPING DGR100-A4



Use group	使用レベル	使用級別	B	C	D
Rated voltage	定格電圧	额定电压	600V	600V	-
Rated current	定格電流	额定电流	101A	101A	-
Wire range	電線径	导线线径		20-2AWG	
With standing voltage	耐電圧	耐电压		AC2200V/1Min	
Torque Value	ネジ締付トルク	锁紧扭力		3.5N.m (31.0Lb.In)	
Ambient temperature	环境温度	环境温度		-40°C~+105°C	
Housing	本体	塑件		PA66, UL94V-0	
Terminal	導電板	端子	Copper alloy, 3.0t, Tin Plated	銅合金3.0厚, 錫メッキ	銅合金, 3.0厚, 鍍錫
Screws	結線ビス	螺丝	Steel, M8, Ni Plated	鋼, M8, ニッケルメッキ	鋼, M8, 鍍錫

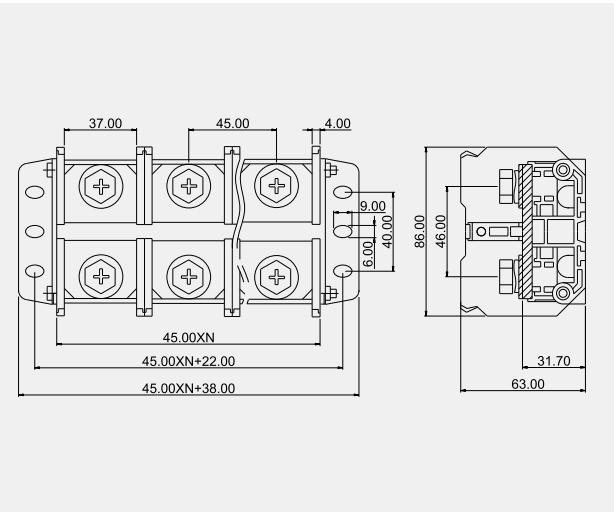
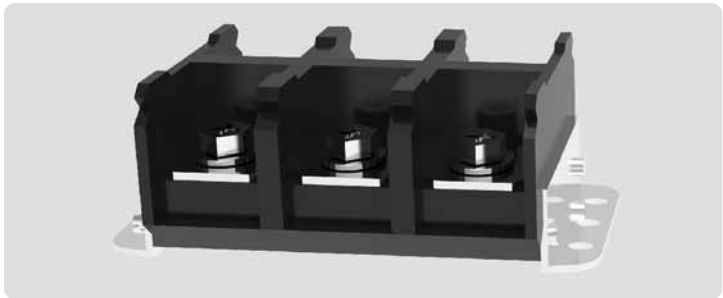


### DEVELOPING DGR100-D4



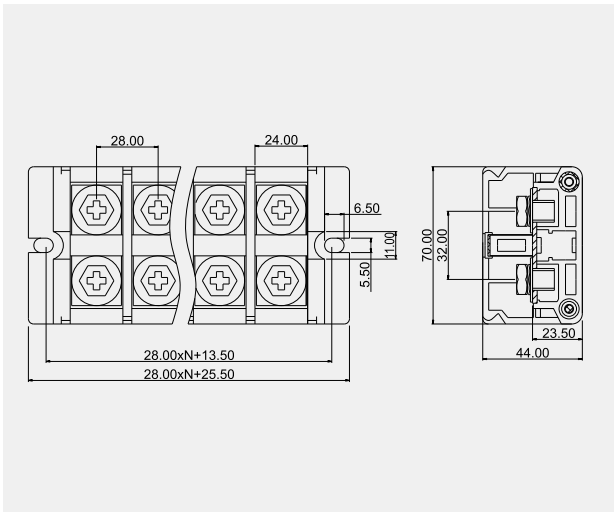
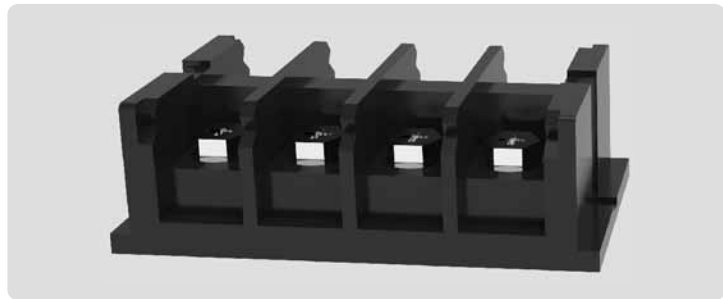
Use group	使用レベル	使用級別	B	C	D
Rated voltage	定格電圧	额定电压	600V	600V	-
Rated current	定格電流	额定电流	101A	101A	-
Wire range	電線径	导线线径		20-2AWG	
With standing voltage	耐電圧	耐电压		AC2200V/1Min	
Torque Value	ネジ締付トルク	锁紧扭力		3.5N.m (31.0Lb.In)	
Ambient temperature	環境温度	环境温度		-40°C~+105°C	
Housing	本体	塑件		PA66, UL94V-0	
Terminal	導電板	端子	Copper alloy, 3.0t, Tin Plated	銅合金30厚, 錫メッキ	銅合金, 3.0厚, 鍍錫
Screws	結線ビス	螺丝	Steel, M8, Ni Plated	鋼, M8, ニッケルメッキ	鋼, M8, 鍍銀

### DEVELOPING DGR240-20A



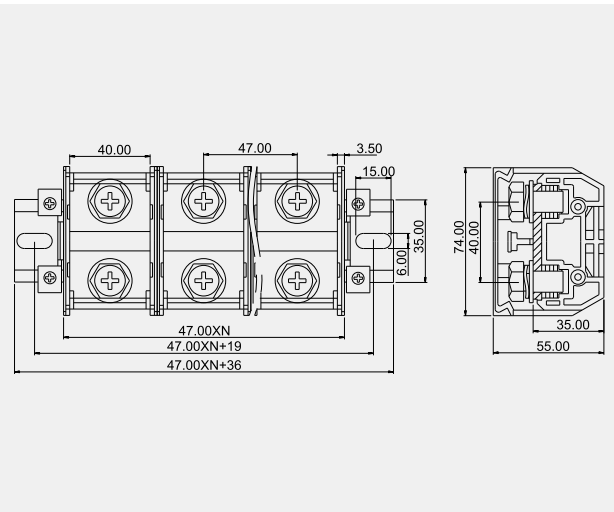
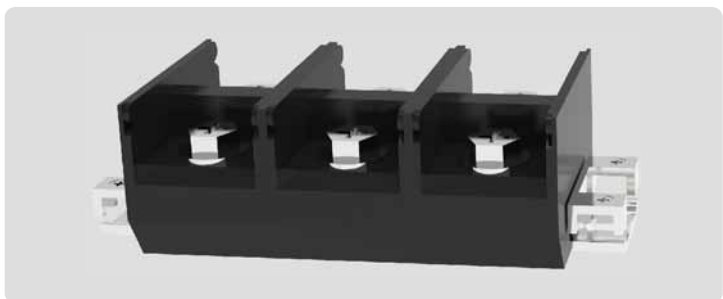
Use group	使用レベル	使用級別	B	C	D
Rated voltage	定格電圧	额定电压	600V	600V	-
Rated current	定格電流	额定电流	240A	240A	-
Wire range	電線径	导线线径		4-250kcmil	
With standing voltage	耐電圧	耐电压		AC2200V/1Min	
Torque Value	ネジ締付トルク	锁紧扭力		4.0N.m (35.4Lb.In)	
Ambient temperature	環境温度	环境温度		-40°C~+105°C	
Housing	本体	塑件		PA66, UL94V-0	
Terminal	導電板	端子	Copper alloy, 3.0t, Tin Plated	銅合金30厚, 錫メッキ	銅合金, 3.0厚, 鍍錫
Screws	結線ビス	螺丝	Steel, M10, Ni Plated	鋼, M10, ニッケルメッキ	鋼, M10, 鍍銀

### DEVELOPING DGR150-AF



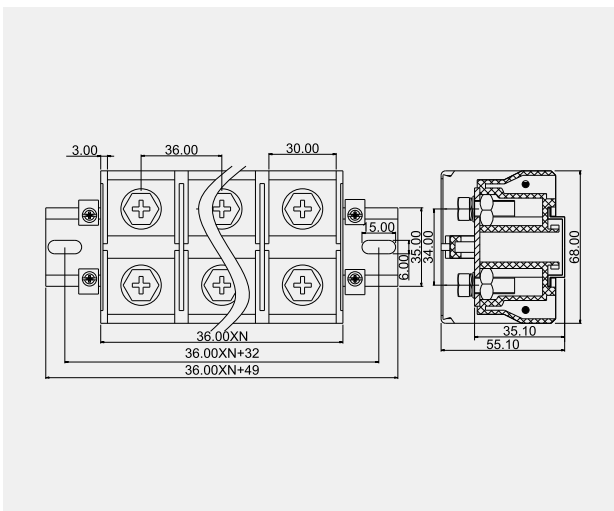
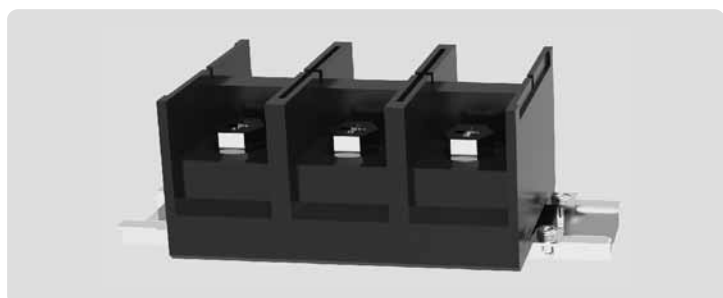
Use group	使用レベル	使用級別	B	C	D
Rated voltage	定格電圧	额定电压	600V	600V	-
Rated current	定格電流	额定电流	150A	150A	-
Wire range	電線径	导线线径		20-2AWG	
With standing voltage	耐電圧	耐电压		AC2200V/1Min	
Torque Value	ネジ締付トルク	锁紧扭力		3.5N.m (31.0Lb.In)	
Ambient temperature	環境温度	环境温度		-40°C~+105°C	
Housing	本体	塑件		PA66, UL94V-0	
Terminal	導電板	端子	Copper alloy, 3.0t, Tin Plated	銅合金30厚, 錫メッキ	銅合金, 3.0厚, 鍍錫
Screws	結線ビス	螺丝	Steel, M8, Ni Plated	鋼, M8, ニッケルメッキ	鋼, M8, 鍍銀

### DEVELOPING DGR310-100A



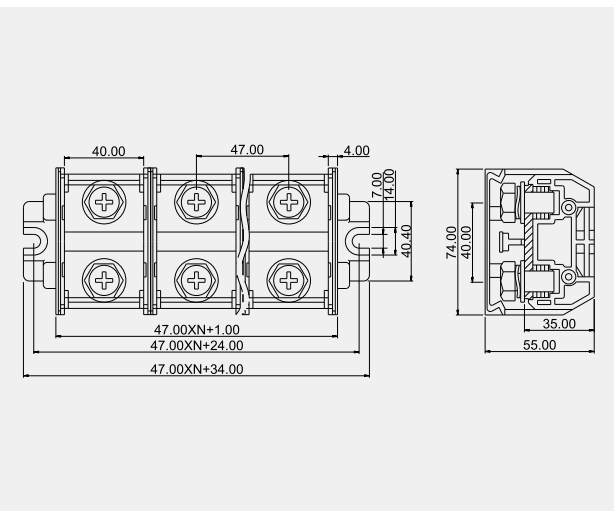
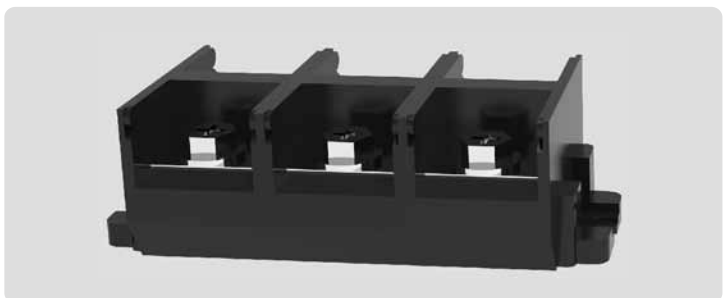
Use group	使用レベル	使用級別	B	C	D
Rated voltage	定格電圧	额定电压	600V	600V	-
Rated current	定格電流	额定电流	300A	300A	-
Wire range	電線径	导线线径		4-350kcmil	
With standing voltage	耐電圧	耐电压		AC2200V/1Min	
Torque Value	ネジ締付トルク	锁紧扭力		4.0N.m (35.4Lb.In)	
Ambient temperature	環境温度	环境温度		-40°C~+105°C	
Housing	本体	塑件		PA66, UL94V-0	
Terminal	導電板	端子	Copper alloy, 3.0t, Tin Plated	銅合金30厚, 錫メッキ	銅合金, 3.0厚, 鍍錫
Screws	結線ビス	螺丝	Steel, M10, Ni Plated	鋼, M10, ニッケルメッキ	鋼, M10, 鍍銀

### DEVELOPING DGR240-100A



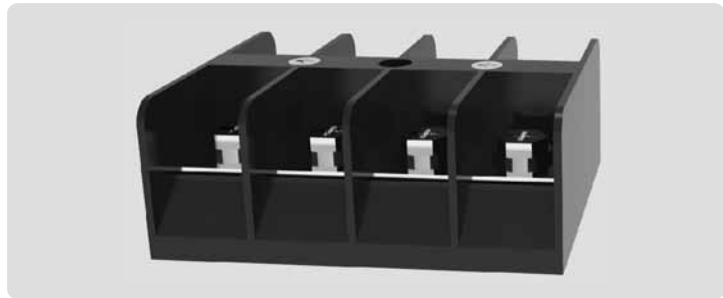
Use group	使用レベル	使用級別	B	C	D
Rated voltage	定格電圧	额定电压	600V	600V	-
Rated current	定格電流	额定电流	240A	240A	-
Wire range	電線径	导线线径		4-250kcmil	
With standing voltage	耐電圧	耐电压		AC2200V/1Min	
Torque Value	ネジ締付トルク	锁紧扭力		4.0N.m (35.4Lb.In)	
Ambient temperature	環境温度	环境温度		-40°C~+105°C	
Housing	本体	塑件		PA66, UL94V-0	
Terminal	導電板	端子	Copper alloy, 3.0t, Tin Plated	銅合金30厚, 錫メッキ	銅合金, 3.0厚, 鍍錫
Screws	結線ビス	螺丝	Steel, M10, Ni Plated	鋼, M10, ニッケルメッキ	鋼, M10, 鍍銀

### DEVELOPING DGR310-20A

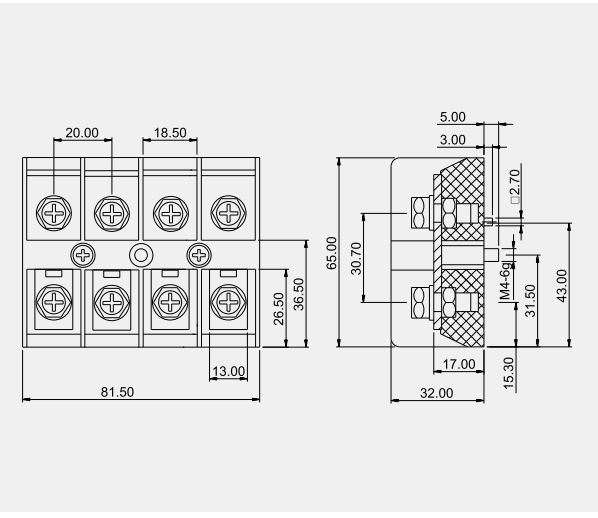


Use group	使用レベル	使用級別	B	C	D
Rated voltage	定格電圧	额定电压	600V	600V	-
Rated current	定格電流	额定电流	300A	300A	-
Wire range	電線径	导线线径		4-350kcmil	
With standing voltage	耐電圧	耐电压		AC2200V/1Min	
Torque Value	ネジ締付トルク	锁紧扭力		4.0N.m (35.4Lb.In)	
Ambient temperature	環境温度	环境温度		-40°C~+105°C	
Housing	本体	塑件		PA66, UL94V-0	
Terminal	導電板	端子	Copper alloy, 3.0t, Tin Plated	銅合金30厚, 錫メッキ	銅合金, 3.0厚, 鍍錫
Screws	結線ビス	螺丝	Steel, M10, Ni Plated	鋼, M10, ニッケルメッキ	鋼, M10, 鍍銀

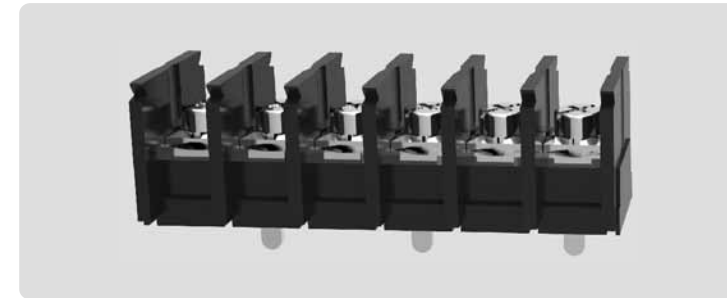
### DEVELOPING DGR100-20B



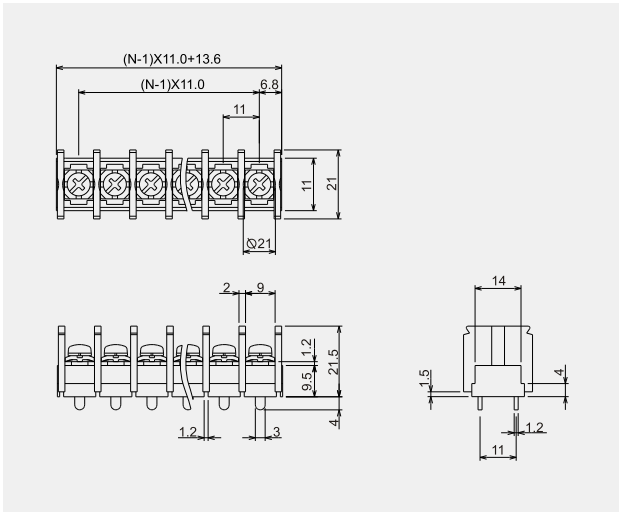
Use group	使用レベル	使用级别	B	C	D
Rated voltage	定格電圧	额定电压	600V	600V	-
Rated current	定格電流	额定电流	100A	100A	-
Wire range	電線径	导线线径		20-3AWG	
With standing voltage	耐電圧	耐电压		AC2200V/1Min	
Torque Value	ネジ締付トルク	锁紧扭力		2.5N.m (22.1Lb.In)	
Ambient temperature	环境温度	环境温度		-40°C~+105°C	
Housing	本体	塑件		PA66, UL94V-0	
Terminal	導電板	端子	Copper alloy, 3.0t, Tin Plated	銅合金3.0厚, 錫メッキ	銅合金, 3.0厚, 鍍錫
Screws	結線ビス	螺丝	Steel, M6, Ni Plated	鋼, M6, ニッケルメッキ	鋼, M6, 鍍錫



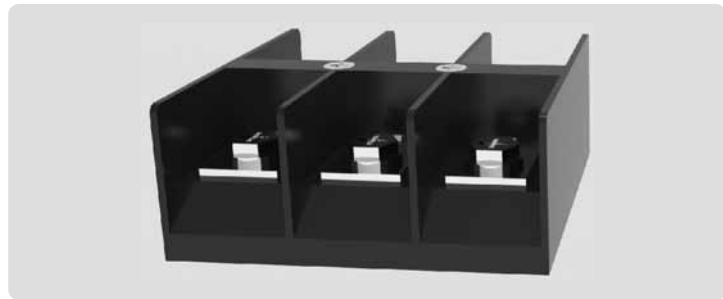
### DEVELOPING DG65-DA/DB



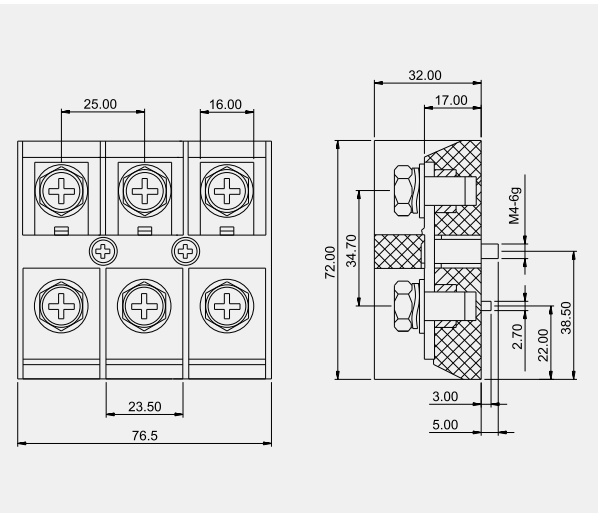
Use group	使用レベル	使用级别	B	C	D
Rated voltage	定格電圧	额定电压	600V	-	-
Rated current	定格電流	额定电流	35A	-	-
Wire range	電線径	导线线径		22-8AWG	
With standing voltage	耐電圧	耐电压		AC2200V/1Min	
Torque Value	ネジ締付トルク	锁紧扭力		1.2N.m (10.5Lb.In)	
Ambient temperature	环境温度	环境温度		-40°C~+105°C	
Housing	本体	塑件		PA66, UL94V-0	
Terminal	導電板	端子	Copper alloy, 1.2t, Tin Plated	銅合金1.2厚, 錫メッキ	銅合金, 1.2厚, 鍍錫
Screws	結線ビス	螺丝	Steel, M4, Ni Plated	鋼, M4, ニッケルメッキ	鋼, M4, 鍍錫



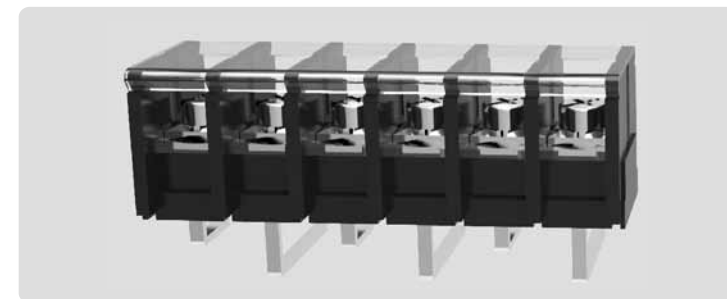
### DEVELOPING DGR150-25B



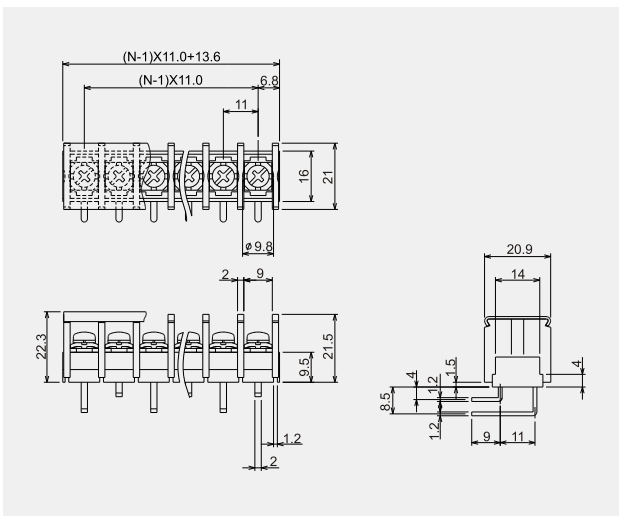
Use group	使用レベル	使用级别	B	C	D
Rated voltage	定格電圧	额定电压	600V	600V	-
Rated current	定格電流	额定电流	150A	150A	-
Wire range	電線径	导线线径		20-10AWG	
With standing voltage	耐電圧	耐电压		AC2200V/1Min	
Torque Value	ネジ締付トルク	锁紧扭力		2.5N.m (22.1Lb.In)	
Ambient temperature	环境温度	环境温度		-40°C~+105°C	
Housing	本体	塑件		PA66, UL94V-0	
Terminal	導電板	端子	Copper alloy, 3.0t, Tin Plated	銅合金3.0厚, 錫メッキ	銅合金, 3.0厚, 鍍錫
Screws	結線ビス	螺丝	Steel, M6, Ni Plated	鋼, M6, ニッケルメッキ	鋼, M6, 鍍錫



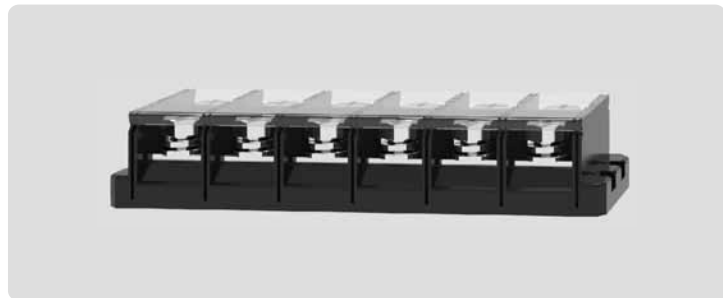
### DEVELOPING DG65R-B-LS



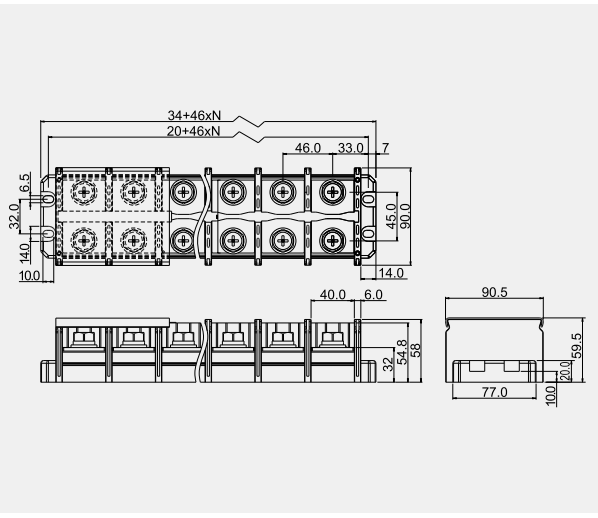
Use group	使用レベル	使用级别	B	C	D
Rated voltage	定格電圧	额定电压	600V	-	-
Rated current	定格電流	额定电流	20A	-	-
Wire range	電線径	导线线径		22-12AWG	
With standing voltage	耐電圧	耐电压		AC2200V/1Min	
Torque Value	ネジ締付トルク	锁紧扭力		1.2N.m (10.5Lb.In)	
Ambient temperature	环境温度	环境温度		-40°C~+105°C	
Housing	本体	塑件		PA66, UL94V-0	
Terminal	導電板	端子	Copper alloy, 1.2t, Tin Plated	銅合金1.2厚, 錫メッキ	銅合金, 1.2厚, 鍍錫
Screws	結線ビス	螺丝	Steel, M4, Ni Plated	鋼, M4, ニッケルメッキ	鋼, M4, 鍍錫



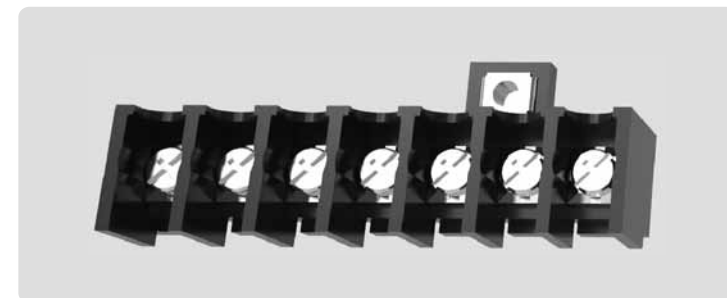
### DEVELOPING DG4600-A



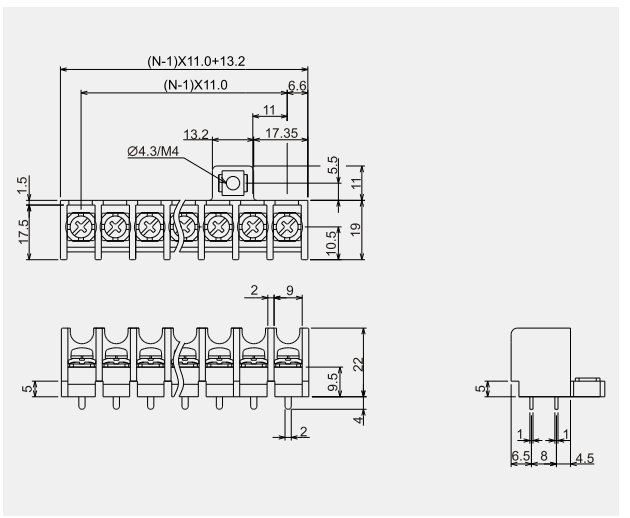
Use group	使用レベル	使用级别	B	C	D
Rated voltage	定格電圧	额定电压	1000V	-	-
Rated current	定格電流	额定电流	600A	-	-
Wire range	電線径	导线线径		4/0-300Kcmil	
With standing voltage	耐電圧	耐电压		AC2200V/1Min	
Torque Value	ネジ締付トルク	锁紧扭力		6.5N.m (66.6Lb.In)	
Ambient temperature	环境温度	环境温度		-40°C~+105°C	
Housing	本体	塑件		PA66, UL94V-0	
Terminal	導電板	端子	Copper alloy, 5.0t, Tin Plated	銅合金5.0厚, 錫メッキ	銅合金, 5.0厚, 鍍錫
Screws	結線ビス	螺丝	Steel, M12, Ni Plated	鋼, M12, ニッケルメッキ	鋼, M12, 鍍錫



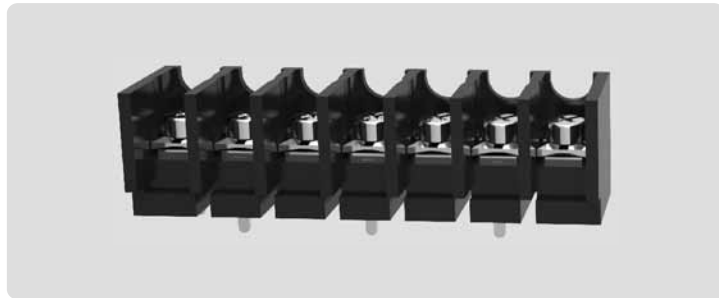
### DEVELOPING DG86-A



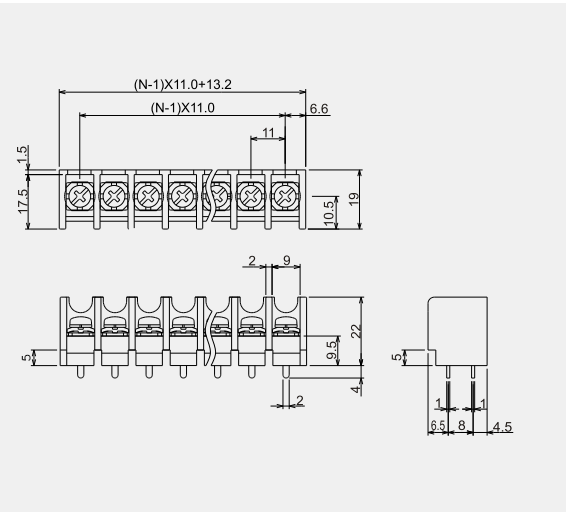
Use group	使用レベル	使用级别	B	C	D
Rated voltage	定格電圧	额定电压	600V	-	-
Rated current	定格電流	额定电流	30A	-	-
Wire range	電線径	导线线径		22-10AWG	
With standing voltage	耐電圧	耐电压		AC2200V/1Min	
Torque Value	ネジ締付トルク	锁紧扭力		1.2N.m (10.5Lb.In)	
Ambient temperature	环境温度	环境温度		-40°C~+105°C	
Housing	本体	塑件		PA66, UL94V-0	
Terminal	導電板	端子	Copper alloy, 1.0t, Tin Plated	銅合金1.0厚, 錫メッキ	銅合金, 1.0厚, 鍍錫
Screws	結線ビス	螺丝	Steel, M4, Ni Plated	鋼, M4, ニッケルメッキ	鋼, M4, 鍍錫



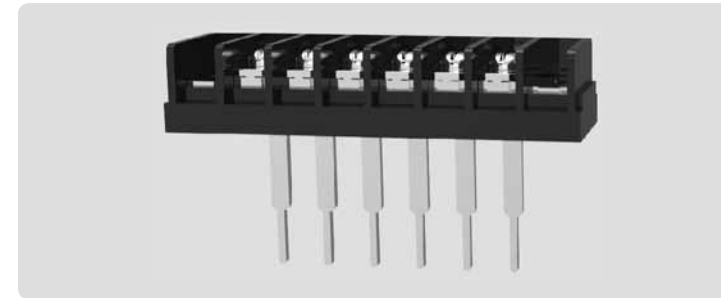
### DEVELOPING DG86-B



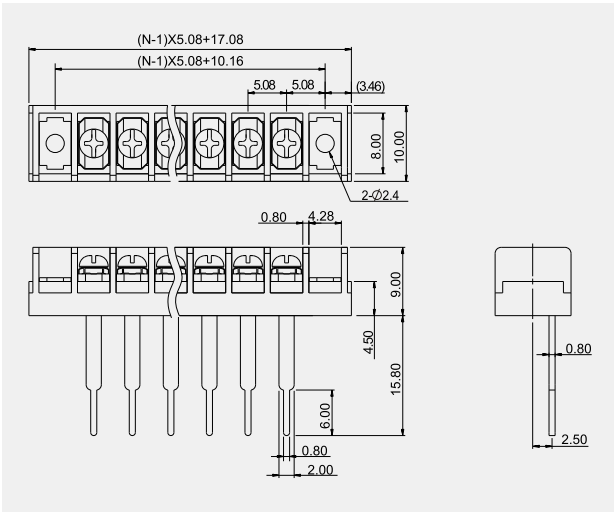
Use group	使用レベル	使用級別	B	C	D
Rated voltage	定格電圧	额定电压	600V	-	-
Rated current	定格電流	额定电流	15A	-	-
Wire range	電線径	导线线径		22-10AWG	
With standing voltage	耐電圧	耐电压		AC2200V/1Min	
Torque Value	ネジ締付トルク	锁紧扭力		1.2N.m (10.5Lb.In)	
Ambient temperature	环境温度	环境温度		-40°C~+105°C	
Housing	本体	塑件		PA66, UL94V-0	
Terminal	導電板	端子	Copper alloy, 1.0t, Tin Plated	銅合金1.0厚, 錫メッキ	銅合金, 1.0厚, 鍍錫
Screws	結線ビス	螺丝	Steel, M4, Ni Plated	鋼, M4, ニッケルメッキ	鋼, M4, 鍍錫



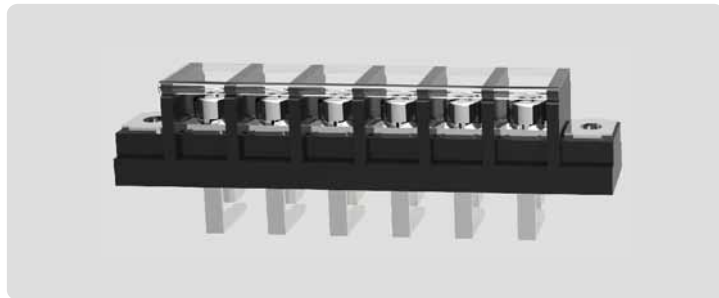
### DEVELOPING DG508H-A



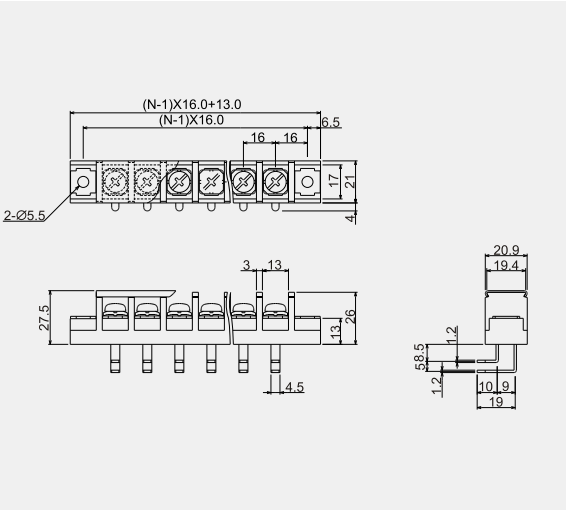
Use group	使用レベル	使用級別	B	C	D
Rated voltage	定格電圧	额定电压	300V	-	-
Rated current	定格電流	额定电流	5A	-	-
Wire range	電線径	导线线径		26-18AWG	
With standing voltage	耐電圧	耐电压		AC1600V/1Min	
Torque Value	ネジ締付トルク	锁紧扭力		0.2N.m (1.7Lb.In)	
Ambient temperature	环境温度	环境温度		-40°C~+105°C	
Housing	本体	塑件		PA66, UL94V-0	
Terminal	導電板	端子	Copper alloy, 0.8t, Tin Plated	銅合金0.8厚, 錫メッキ	銅合金, 0.8厚, 鍍錫
Screws	結線ビス	螺丝	Steel, M2, Ni Plated	鋼, M2, ニッケルメッキ	鋼, M2, 鍍錫



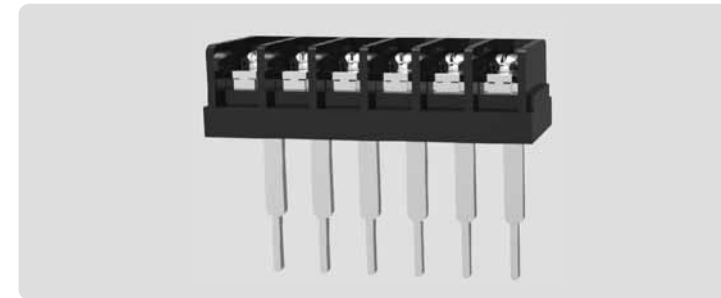
### DEVELOPING DG1600RT-A



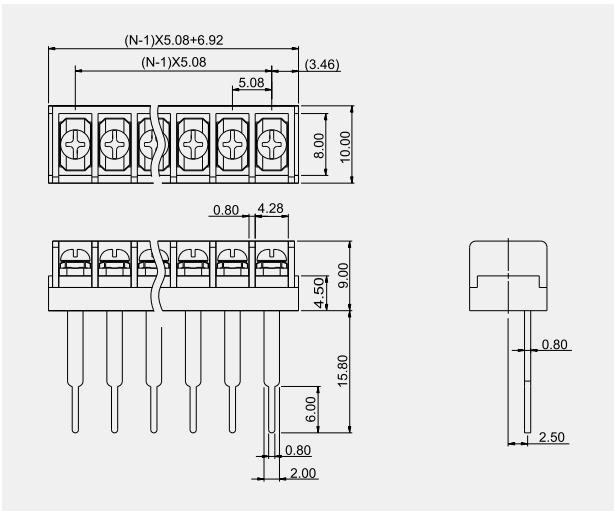
Use group	使用レベル	使用級別	B	C	D
Rated voltage	定格電圧	额定电压	600V	-	-
Rated current	定格電流	额定电流	115A	-	-
Wire range	電線径	导线线径		22-2AWG	
With standing voltage	耐電圧	耐电压		AC2200V/1Min	
Torque Value	ネジ締付トルク	锁紧扭力		2.0N.m (17.5Lb.In)	
Ambient temperature	环境温度	环境温度		-40°C~+105°C	
Housing	本体	塑件		PA66, UL94V-0	
Terminal	導電板	端子	Copper alloy, 1.2t, Tin Plated	銅合金1.2厚, 錫メッキ	銅合金, 1.2厚, 鍍錫
Screws	結線ビス	螺丝	Steel, M5, Ni Plated	鋼, M5, ニッケルメッキ	鋼, M5, 鍍錫



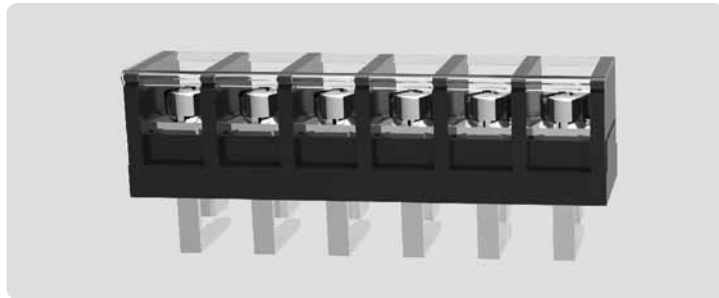
### DEVELOPING DG508H-B



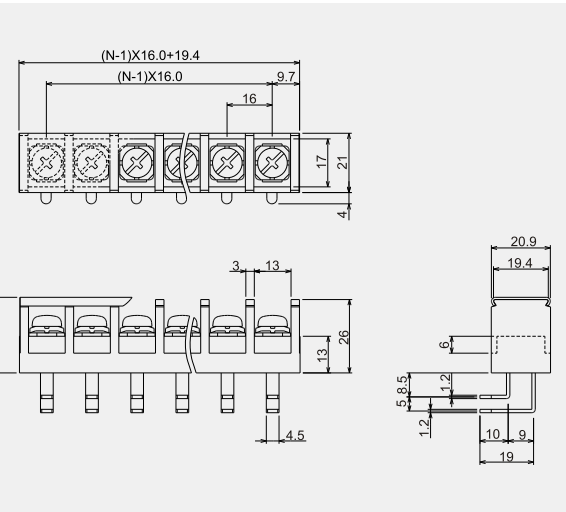
Use group	使用レベル	使用級別	B	C	D
Rated voltage	定格電圧	额定电压	300V	-	-
Rated current	定格電流	额定电流	5A	-	-
Wire range	電線径	导线线径		26-18AWG	
With standing voltage	耐電圧	耐电压		AC1600V/1Min	
Torque Value	ネジ締付トルク	锁紧扭力		0.2N.m (1.7Lb.In)	
Ambient temperature	环境温度	环境温度		-40°C~+105°C	
Housing	本体	塑件		PA66, UL94V-0	
Terminal	導電板	端子	Copper alloy, 0.8t, Tin Plated	銅合金0.8厚, 錫メッキ	銅合金, 0.8厚, 鍍錫
Screws	結線ビス	螺丝	Steel, M2, Ni Plated	鋼, M2, ニッケルメッキ	鋼, M2, 鍍錫



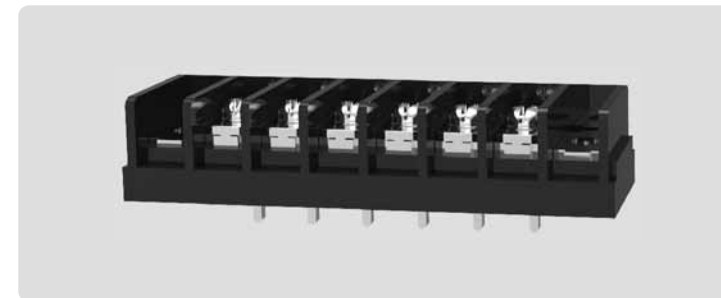
### DEVELOPING DG1600RT-B



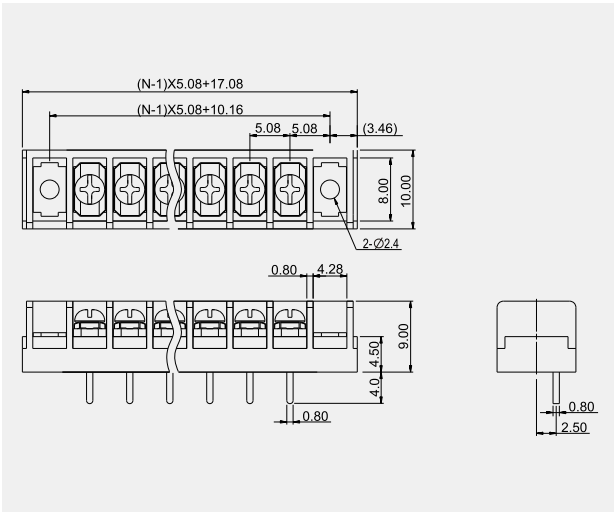
Use group	使用レベル	使用級別	B	C	D
Rated voltage	定格電圧	额定电压	600V	-	-
Rated current	定格電流	额定电流	115A	-	-
Wire range	電線径	导线线径		22-2AWG	
With standing voltage	耐電圧	耐电压		AC2200V/1Min	
Torque Value	ネジ締付トルク	锁紧扭力		2.0N.m (17.5Lb.In)	
Ambient temperature	环境温度	环境温度		-40°C~+105°C	
Housing	本体	塑件		PA66, UL94V-0	
Terminal	導電板	端子	Copper alloy, 1.2t, Tin Plated	銅合金1.2厚, 錫メッキ	銅合金, 1.2厚, 鍍錫
Screws	結線ビス	螺丝	Steel, M5, Ni Plated	鋼, M5, ニッケルメッキ	鋼, M5, 鍍錫



### DEVELOPING DG508-A

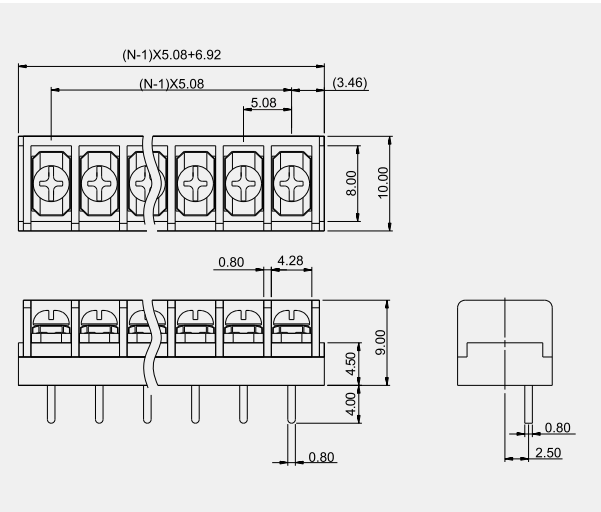
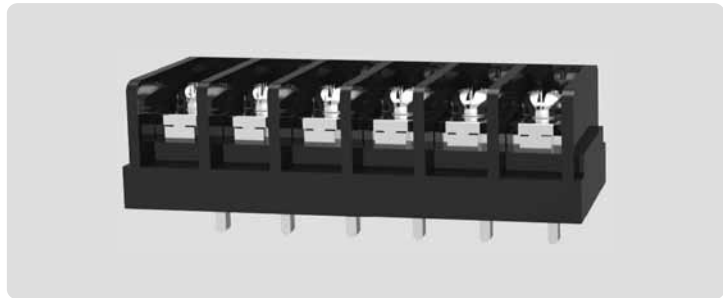


Use group	使用レベル	使用級別	B	C	D
Rated voltage	定格電圧	额定电压	300V	-	-
Rated current	定格電流	额定电流	5A	-	-
Wire range	電線径	导线线径		26-18AWG	
With standing voltage	耐電圧	耐电压		AC1600V/1Min	
Torque Value	ネジ締付トルク	锁紧扭力		0.2N.m (1.7Lb.In)	
Ambient temperature	环境温度	环境温度		-40°C~+105°C	
Housing	本体	塑件		PA66, UL94V-0	
Terminal	導電板	端子	Copper alloy, 0.8t, Tin Plated	銅合金0.8厚, 錫メッキ	銅合金, 0.8厚, 鍍錫
Screws	結線ビス	螺丝	Steel, M2, Ni Plated	鋼, M2, ニッケルメッキ	鋼, M2, 鍍錫



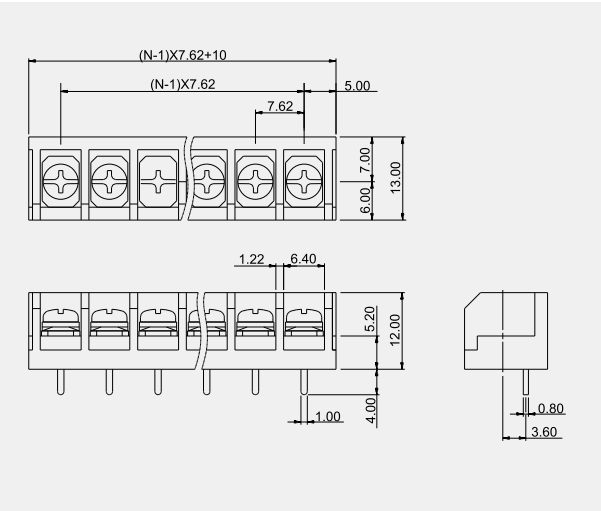
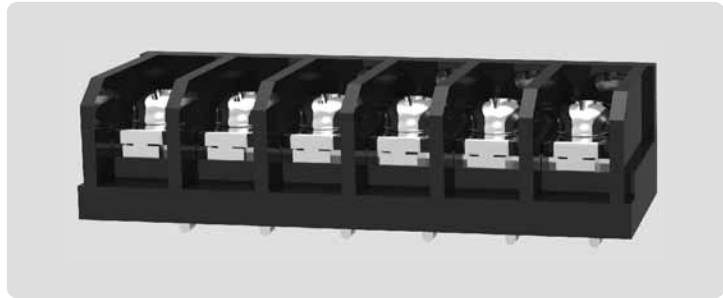


DEVELOPING  
**DG508-B**



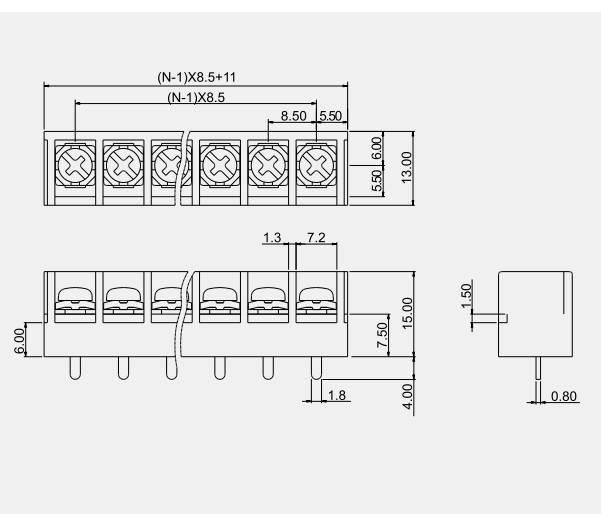
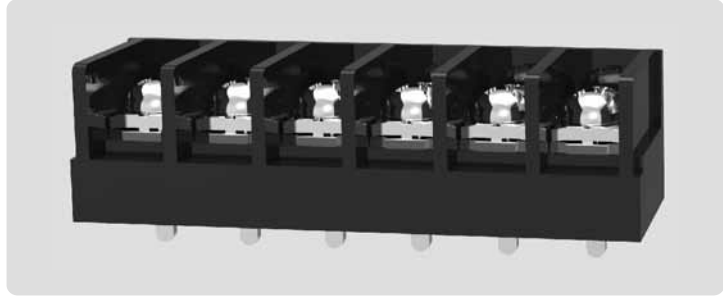
Use group	使用レベル	使用级别	B	C	D
Rated voltage	定格電圧	额定电压	300V	-	-
Rated current	定格電流	额定电流	5A	-	-
Wire range	電線径	导线线径		26-18AWG	
With standing voltage	耐電圧	耐电压		AC1600V/1Min	
Torque Value	ネジ締付トルク	锁紧扭力		0.2N.m (1.7Lb.In)	
Ambient temperature	环境温度	环境温度		-40°C~+105°C	
Housing	本体	塑件		PA66, UL94V-0	
Terminal	導電板	端子	Copper alloy,0.8,Tin Plated	銅合金0.8厚,錫メッキ	銅合金0.8厚,鍍錫
Screws	結線ビス	螺丝	Steel,M2,Ni Plated	鋼,M2,ニッケルメッキ	鋼,M2,鍍銀

DEVELOPING  
**DG26S-B**



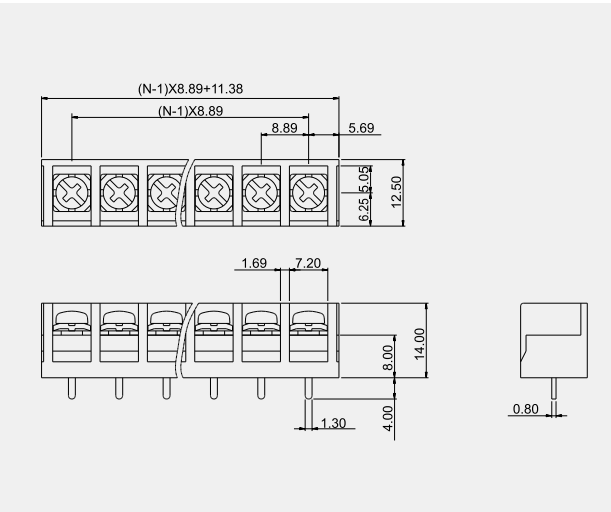
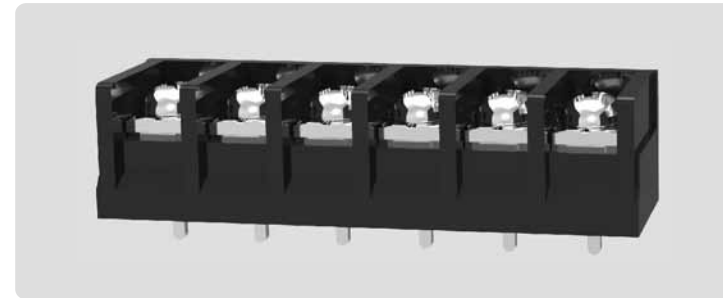
Use group	使用レベル	使用级别	B	C	D
Rated voltage	定格電圧	额定电压	250V	-	-
Rated current	定格電流	额定电流	10A	-	-
Wire range	電線径	导线线径		22-16AWG	
With standing voltage	耐電圧	耐电压		AC1500V/1Min	
Torque Value	ネジ締付トルク	锁紧扭力		0.5N.m (4.4Lb.In)	
Ambient temperature	环境温度	环境温度		-40°C~+105°C	
Housing	本体	塑件		PA66, UL94V-0	
Terminal	導電板	端子	Copper alloy,0.8,Tin Plated	銅合金0.8厚,錫メッキ	銅合金0.8厚,鍍錫
Screws	結線ビス	螺丝	Steel,M3,Ni Plated	鋼,M3,ニッケルメッキ	鋼,M3,鍍銀

DEVELOPING  
**DG850**



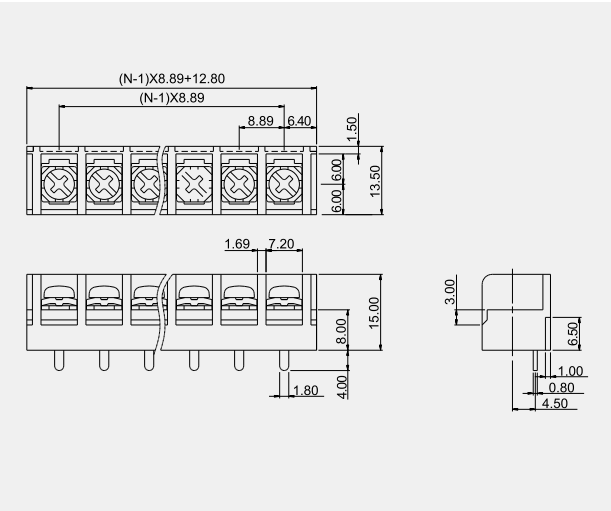
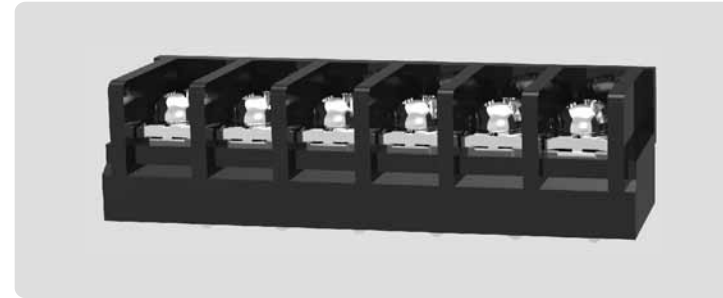
Use group	使用レベル	使用级别	B	C	D
Rated voltage	定格電圧	额定电压	300V	-	-
Rated current	定格電流	额定电流	10A	-	-
Wire range	電線径	导线线径		22-16AWG	
With standing voltage	耐電圧	耐电压		AC1600V/1Min	
Torque Value	ネジ締付トルク	锁紧扭力		0.8N.m (7.0Lb.In)	
Ambient temperature	环境温度	环境温度		-40°C~+105°C	
Housing	本体	塑件		PA66, UL94V-0	
Terminal	導電板	端子	Copper alloy,0.8,Tin Plated	銅合金0.8厚,錫メッキ	銅合金0.8厚,鍍錫
Screws	結線ビス	螺丝	Steel,M3.5,Ni Plated	鋼,M3.5,ニッケルメッキ	鋼,M3.5,鍍銀

DEVELOPING  
**DG880-B**



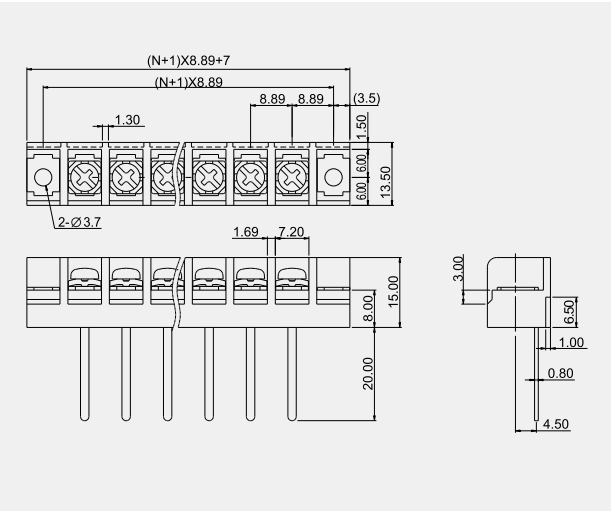
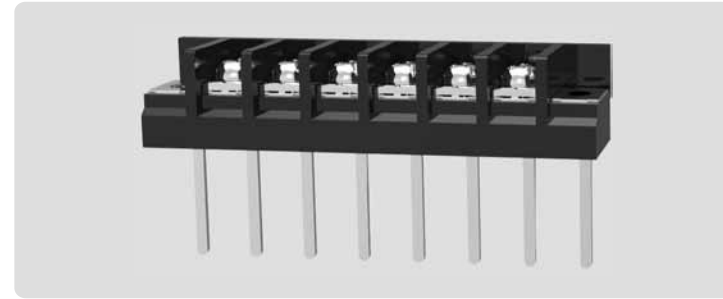
Use group	使用レベル	使用级别	B	C	D
Rated voltage	定格電圧	额定电压	300V	-	-
Rated current	定格電流	额定电流	14A	-	-
Wire range	電線径	导线线径		22-14AWG	
With standing voltage	耐電圧	耐电压		AC1600V/1Min	
Torque Value	ネジ締付トルク	锁紧扭力		0.8N.m (7.0Lb.In)	
Ambient temperature	环境温度	环境温度		-40°C~+105°C	
Housing	本体	塑件		PA66, UL94V-0	
Terminal	導電板	端子	Copper alloy,0.8,Tin Plated	銅合金0.8厚,錫メッキ	銅合金0.8厚,鍍錫
Screws	結線ビス	螺丝	Steel,M3.5,Ni Plated	鋼,M3.5,ニッケルメッキ	鋼,M3.5,鍍銀

DEVELOPING  
**DG890-B**



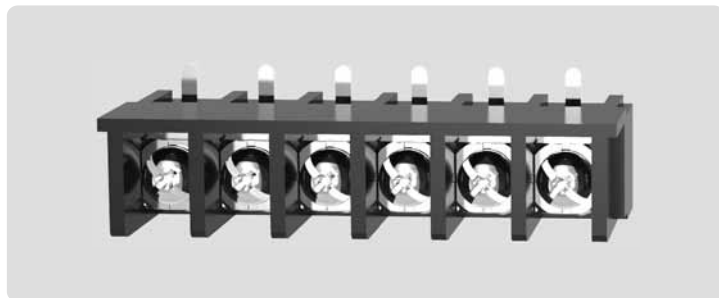
Use group	使用レベル	使用级别	B	C	D
Rated voltage	定格電圧	额定电压	250V	-	-
Rated current	定格電流	额定电流	18A	-	-
Wire range	電線径	导线线径		22-12AWG	
With standing voltage	耐電圧	耐电压		AC1500V/1Min	
Torque Value	ネジ締付トルク	锁紧扭力		0.8N.m (7.0Lb.In)	
Ambient temperature	环境温度	环境温度		-40°C~+105°C	
Housing	本体	塑件		PA66, UL94V-0	
Terminal	導電板	端子	Copper alloy,0.8,Tin Plated	銅合金0.8厚,錫メッキ	銅合金0.8厚,鍍錫
Screws	結線ビス	螺丝	Steel,M3.5,Ni Plated	鋼,M3.5,ニッケルメッキ	鋼,M3.5,鍍銀

DEVELOPING  
**DG890H-A**

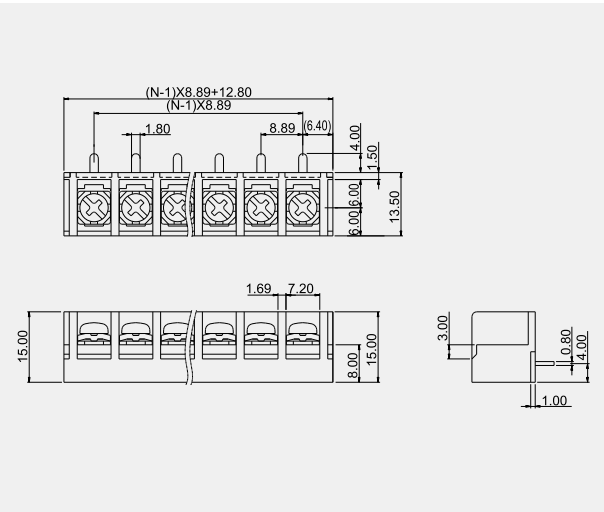


Use group	使用レベル	使用级别	B	C	D
Rated voltage	定格電圧	额定电压	250V	-	-
Rated current	定格電流	额定电流	18A	-	-
Wire range	電線径	导线线径		22-12AWG	
With standing voltage	耐電圧	耐电压		AC1500V/1Min	
Torque Value	ネジ締付トルク	锁紧扭力		0.8N.m (7.0Lb.In)	
Ambient temperature	环境温度	环境温度		-40°C~+105°C	
Housing	本体	塑件		PA66, UL94V-0	
Terminal	導電板	端子	Copper alloy,0.8,Tin Plated	銅合金0.8厚,錫メッキ	銅合金0.8厚,鍍錫
Screws	結線ビス	螺丝	Steel,M3.5,Ni Plated	鋼,M3.5,ニッケルメッキ	鋼,M3.5,鍍銀

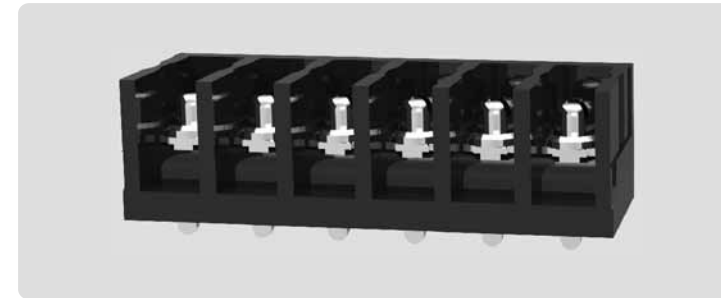
DEVELOPING LOBINING **DG890-B**



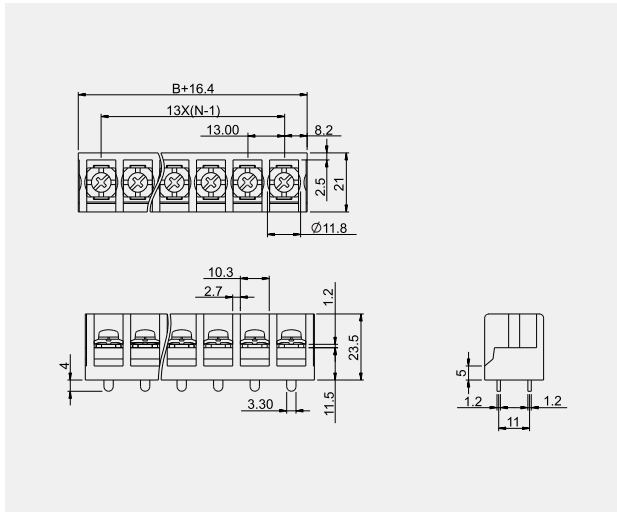
Use group	使用レベル	使用級別	B	C	D
Rated voltage	定格電圧	额定电压	250V	-	-
Rated current	定格電流	额定电流	18A	-	-
Wire range	電線径	导线线径		22-12AWG	
With standing voltage	耐電圧	耐电压		AC1500V/1Min	
Torque Value	ネジ締付トルク	锁紧扭力		0.8N.m (7.0Lb.In)	
Ambient temperature	环境温度	环境温度		-40°C~+105°C	
Housing	本体	塑件		PA66, UL94V-0	
Terminal	導電板	端子	Copper alloy, 0.8L, Tin Plated	銅合金0.8厚, 錫メッキ	銅合金0.8厚, 鍍錫
Screws	結線ビス	螺丝	Steel, M3.5, Ni Plated	鋼, M3.5, ニッケルメッキ	鋼, M3.5, 鍍錫



DEVELOPING LOBINING **DG86D-B**



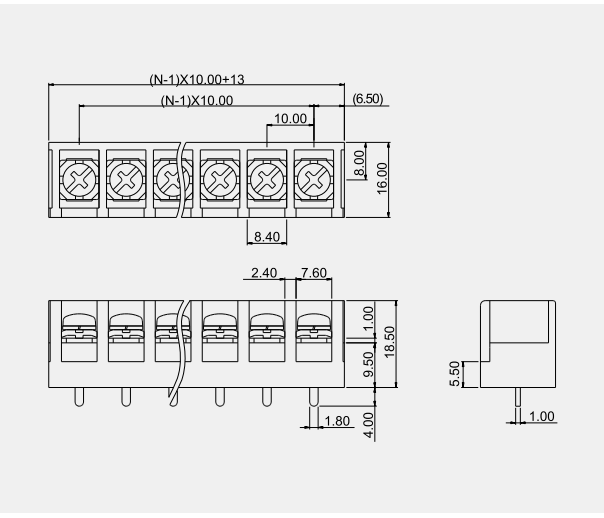
Use group	使用レベル	使用級別	B	C	D
Rated voltage	定格電圧	额定电压	600V	-	-
Rated current	定格電流	额定电流	50A	-	-
Wire range	電線径	导线线径		22-8AWG	
With standing voltage	耐電圧	耐电压		AC2200V/1Min	
Torque Value	ネジ締付トルク	锁紧扭力		1.2N.m (10.5Lb.In)	
Ambient temperature	环境温度	环境温度		-40°C~+105°C	
Housing	本体	塑件		PA66, UL94V-0	
Terminal	導電板	端子	Copper alloy, 1.0L, Tin Plated	銅合金1.0厚, 錫メッキ	銅合金1.0厚, 鍍錫
Screws	結線ビス	螺丝	Steel, M4, Ni Plated	鋼, M4, ニッケルメッキ	鋼, M4, 鍍錫



DEVELOPING LOBINING **DG56C-B**



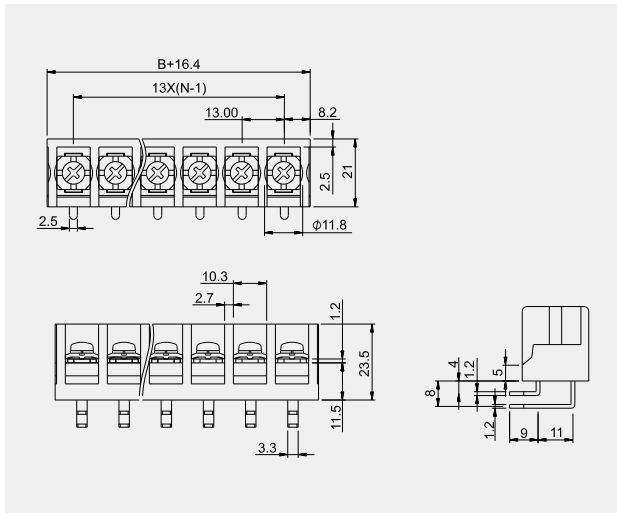
Use group	使用レベル	使用級別	B	C	D
Rated voltage	定格電圧	额定电压	250V	-	-
Rated current	定格電流	额定电流	20A	-	-
Wire range	電線径	导线线径		22-12AWG	
With standing voltage	耐電圧	耐电压		AC1500V/1Min	
Torque Value	ネジ締付トルク	锁紧扭力		1.2N.m (10.5Lb.In)	
Ambient temperature	环境温度	环境温度		-40°C~+105°C	
Housing	本体	塑件		PA66, UL94V-0	
Terminal	導電板	端子	Copper alloy, 1.0L, Tin Plated	銅合金1.0厚, 錫メッキ	銅合金1.0厚, 鍍錫
Screws	結線ビス	螺丝	Steel, M4, Ni Plated	鋼, M4, ニッケルメッキ	鋼, M4, 鍍錫



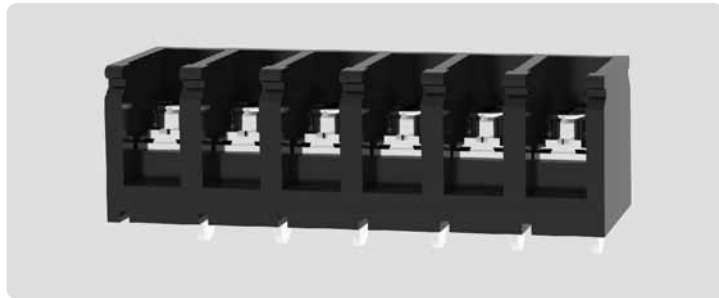
DEVELOPING LOBINING **DG86RT**



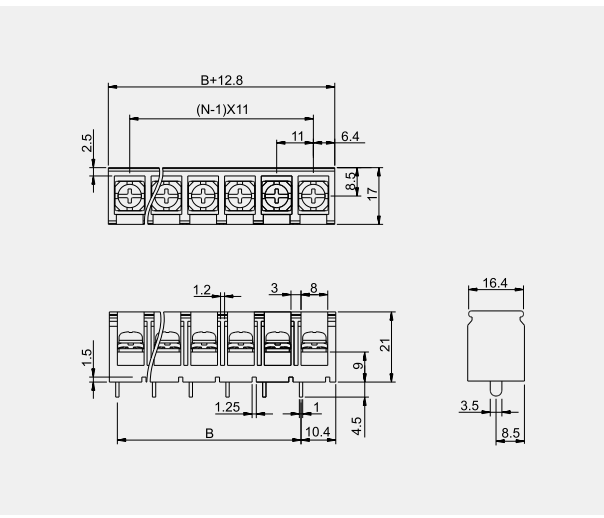
Use group	使用レベル	使用級別	B	C	D
Rated voltage	定格電圧	额定电压	600V	-	-
Rated current	定格電流	额定电流	50A	-	-
Wire range	電線径	导线线径		22-8AWG	
With standing voltage	耐電圧	耐电压		AC2200V/1Min	
Torque Value	ネジ締付トルク	锁紧扭力		1.2N.m (10.5Lb.In)	
Ambient temperature	环境温度	环境温度		-40°C~+105°C	
Housing	本体	塑件		PA66, UL94V-0	
Terminal	導電板	端子	Copper alloy, 1.2L, Tin Plated	銅合金1.2厚, 錫メッキ	銅合金1.2厚, 鍍錫
Screws	結線ビス	螺丝	Steel, M4, Ni Plated	鋼, M4, ニッケルメッキ	鋼, M4, 鍍錫



DEVELOPING LOBINING **DG640C-B**



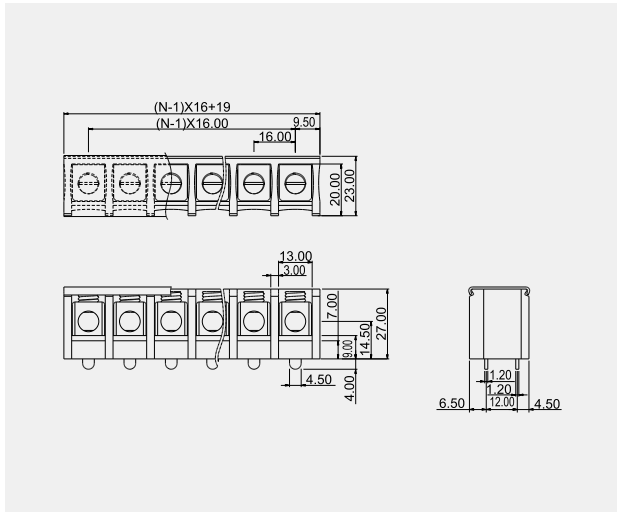
Use group	使用レベル	使用級別	B	C	D
Rated voltage	定格電圧	额定电压	600V	-	-
Rated current	定格電流	额定电流	40A	-	-
Wire range	電線径	导线线径		22-8AWG	
With standing voltage	耐電圧	耐电压		AC2200V/1Min	
Torque Value	ネジ締付トルク	锁紧扭力		1.2N.m (10.5Lb.In)	
Ambient temperature	环境温度	环境温度		-40°C~+105°C	
Housing	本体	塑件		PA66, UL94V-0	
Terminal	導電板	端子	Copper alloy, 1.0L, Tin Plated	銅合金1.0厚, 錫メッキ	銅合金1.0厚, 鍍錫
Screws	結線ビス	螺丝	Steel, M4, Ni Plated	鋼, M4, ニッケルメッキ	鋼, M4, 鍍錫



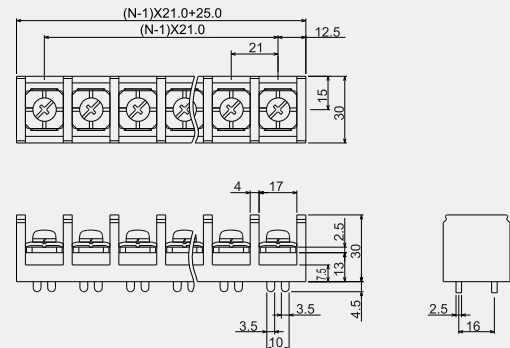
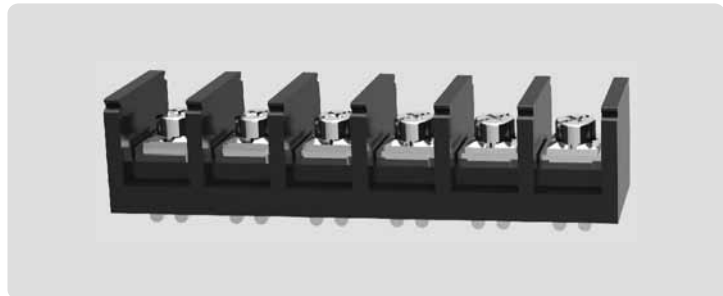
DEVELOPING LOBINING **DG1400-B**



Use group	使用レベル	使用級別	B	C	D
Rated voltage	定格電圧	额定电压	600V	-	-
Rated current	定格電流	额定电流	100A	-	-
Wire range	電線径	导线线径		22-3AWG	
With standing voltage	耐電圧	耐电压		AC2200V/1Min	
Torque Value	ネジ締付トルク	锁紧扭力		1.2N.m (10.5Lb.In)	
Ambient temperature	环境温度	环境温度		-40°C~+105°C	
Housing	本体	塑件		PA66, UL94V-0	
Terminal	導電板	端子	Copper alloy, 1.2L, Tin Plated	銅合金1.2厚, 錫メッキ	銅合金1.2厚, 鍍錫
Screws	結線ビス	螺丝	Steel, M4, Ni Plated	鋼, M4, ニッケルメッキ	鋼, M4, 鍍錫

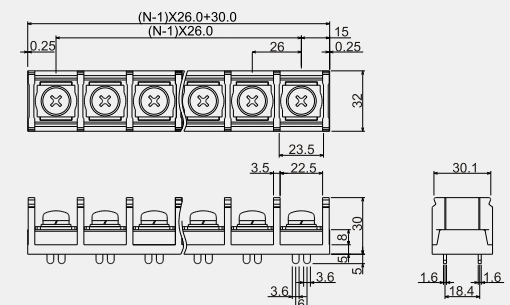
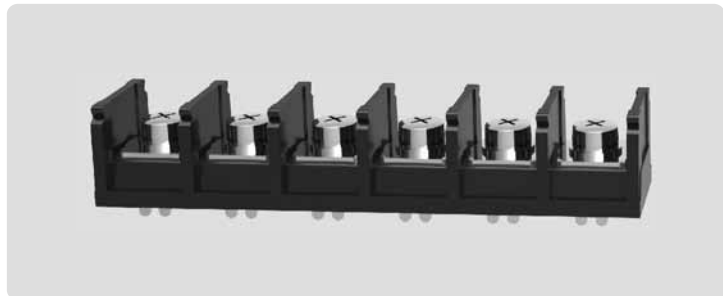


### DEVELOPING DG2100D-B



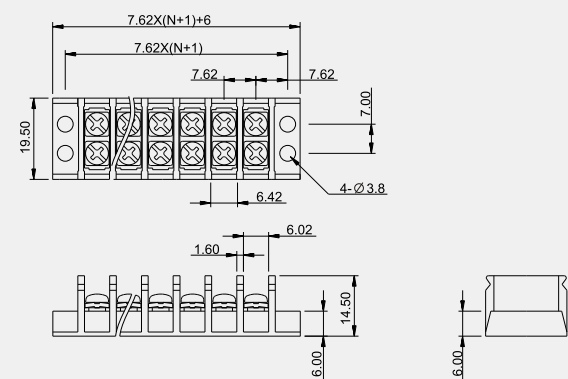
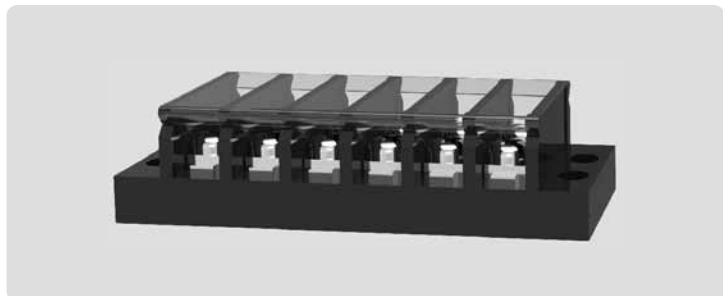
Use group	使用レベル	使用级别	B	C	D
Rated voltage	定格電圧	额定电压	600V	-	-
Rated current	定格電流	额定电流	127A	-	-
Wire range	電線径	导线线径		22-1AWG	
With standing voltage	耐電圧	耐电压		AC2200V/1Min	
Torque Value	ネジ締付トルク	锁紧扭力		2.5N.m (22.1Lb.In)	
Ambient temperature	环境温度	环境温度		-40°C~+105°C	
Housing	本体	塑件		PA66, UL94V-0	
Terminal	導電板	端子	Copper alloy, 2.5t, Tin Plated	銅合金2.5厚, 錫メッキ	銅合金, 2.5厚, 鍍錫
Screws	結線ビス	螺丝	Steel, M3.5, Ni Plated	鋼, M3.5, ニッケルメッキ	鋼, M3.5, 鍍錫

### DEVELOPING DG2600D-B



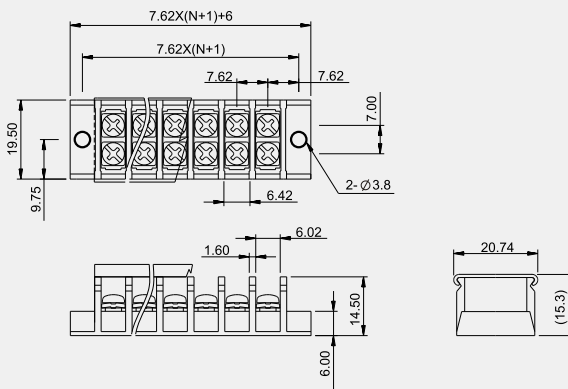
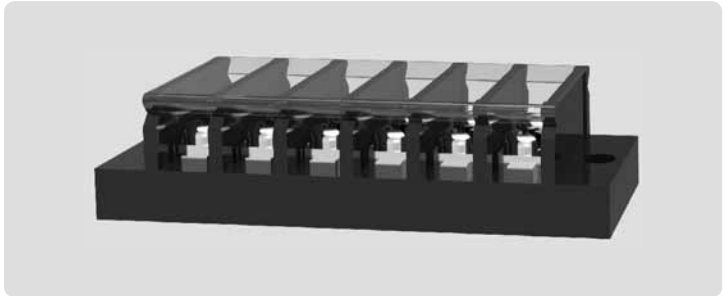
Use group	使用レベル	使用级别	B	C	D
Rated voltage	定格電圧	额定电压	600V	-	-
Rated current	定格電流	额定电流	176A	-	-
Wire range	電線径	导线线径		22-3/0AWG	
With standing voltage	耐電圧	耐电压		AC2200V/1Min	
Torque Value	ネジ締付トルク	锁紧扭力		3.5N.m (31.0Lb.In)	
Ambient temperature	环境温度	环境温度		-40°C~+105°C	
Housing	本体	塑件		PA66, UL94V-0	
Terminal	導電板	端子	Copper alloy, 1.6t, Tin Plated	銅合金1.6厚, 錫メッキ	銅合金, 1.6厚, 鍍錫
Screws	結線ビス	螺丝	Steel, M8, Ni Plated	鋼, M8, ニッケルメッキ	鋼, M8, 鍍錫

### DEVELOPING DG29-A



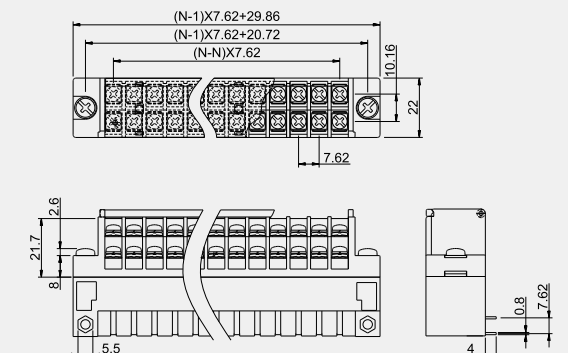
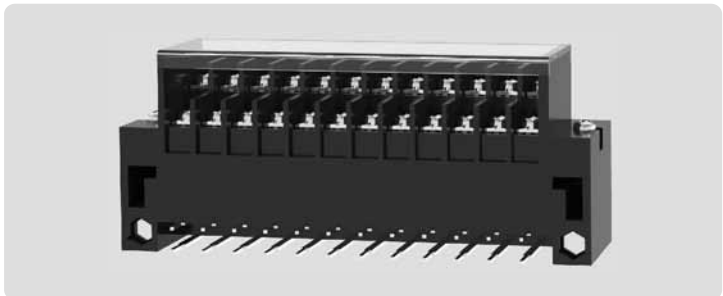
Use group	使用レベル	使用级别	B	C	D
Rated voltage	定格電圧	额定电压	300V	-	-
Rated current	定格電流	额定电流	10A	-	-
Wire range	電線径	导线线径		22-16AWG	
With standing voltage	耐電圧	耐电压		AC1600V/1Min	
Torque Value	ネジ締付トルク	锁紧扭力		0.5N.m (4.4Lb.In)	
Ambient temperature	环境温度	环境温度		-40°C~+105°C	
Housing	本体	塑件		PA66, UL94V-0	
Terminal	導電板	端子	Copper alloy, 0.8t, Tin Plated	銅合金0.8厚, 錫メッキ	銅合金, 0.8厚, 鍍錫
Screws	結線ビス	螺丝	Steel, M3, Ni Plated	鋼, M3, ニッケルメッキ	鋼, M3, 鍍錫

### DEVELOPING DG29A-20A



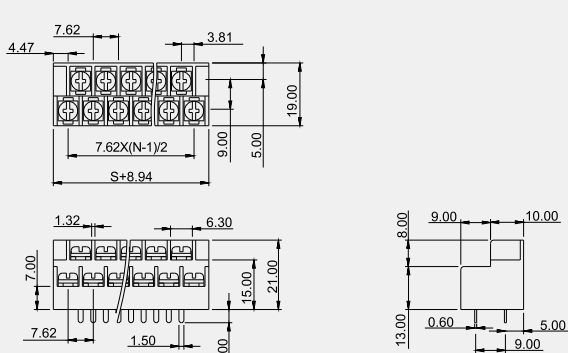
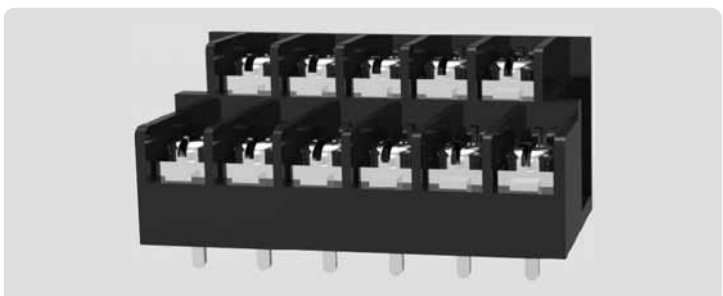
Use group	使用レベル	使用级别	B	C	D
Rated voltage	定格電圧	额定电压	300V	-	-
Rated current	定格電流	额定电流	10A	-	-
Wire range	電線径	导线线径		22-16AWG	
With standing voltage	耐電圧	耐电压		AC1600V/1Min	
Torque Value	ネジ締付トルク	锁紧扭力		0.5N.m (4.4Lb.In)	
Ambient temperature	环境温度	环境温度		-40°C~+105°C	
Housing	本体	塑件		PA66, UL94V-0	
Terminal	導電板	端子	Copper alloy, 0.8t, Tin Plated	銅合金0.8厚, 錫メッキ	銅合金, 0.8厚, 鍍錫
Screws	結線ビス	螺丝	Steel, M3, Ni Plated	鋼, M3, ニッケルメッキ	鋼, M3, 鍍錫

### DEVELOPING DG762R-2-A



Use group	使用レベル	使用级别	B	C	D
Rated voltage	定格電圧	额定电压	300V	-	-
Rated current	定格電流	额定电流	7A	-	-
Wire range	電線径	导线线径		22-18AWG	
With standing voltage	耐電圧	耐电压		AC1600V/1Min	
Torque Value	ネジ締付トルク	锁紧扭力		0.5N.m (4.4Lb.In)	
Ambient temperature	环境温度	环境温度		-40°C~+105°C	
Housing	本体	塑件		PA66, UL94V-0	
Terminal	導電板	端子	Copper alloy, 0.8t, Tin Plated	銅合金0.8厚, 錫メッキ	銅合金, 0.8厚, 鍍錫
Screws	結線ビス	螺丝	Steel, M3, Ni Plated	鋼, M3, ニッケルメッキ	鋼, M3, 鍍錫

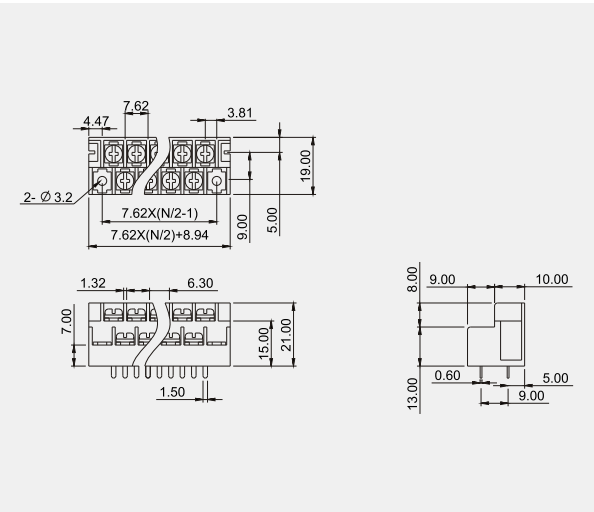
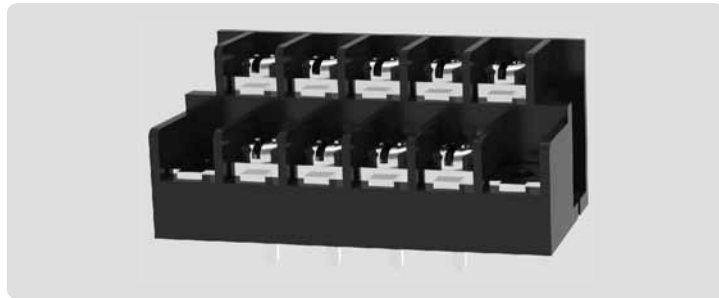
### DEVELOPING DG762-2-B



Use group	使用レベル	使用级别	B	C	D
Rated voltage	定格電圧	额定电压	300V	-	-
Rated current	定格電流	额定电流	10A	-	-
Wire range	電線径	导线线径		22-16AWG	
With standing voltage	耐電圧	耐电压		AC1600V/1Min	
Torque Value	ネジ締付トルク	锁紧扭力		0.5N.m (4.4Lb.In)	
Ambient temperature	环境温度	环境温度		-40°C~+105°C	
Housing	本体	塑件		PA66, UL94V-0	
Terminal	導電板	端子	Copper alloy, 0.6t, Tin Plated	銅合金0.6厚, 錫メッキ	銅合金, 0.6厚, 鍍錫
Screws	結線ビス	螺丝	Steel, M3, Ni Plated	鋼, M3, ニッケルメッキ	鋼, M3, 鍍錫

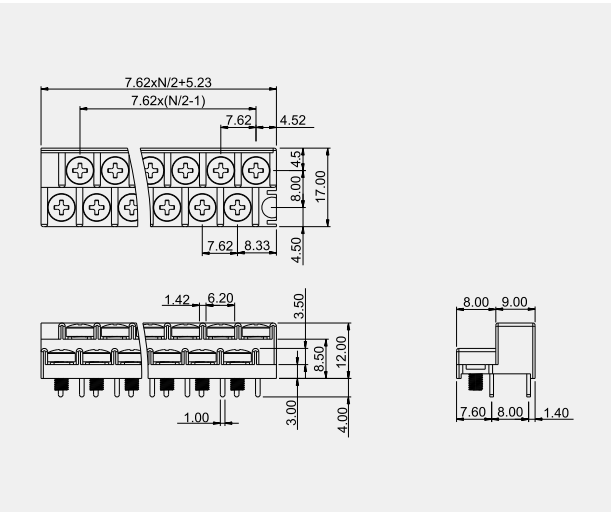
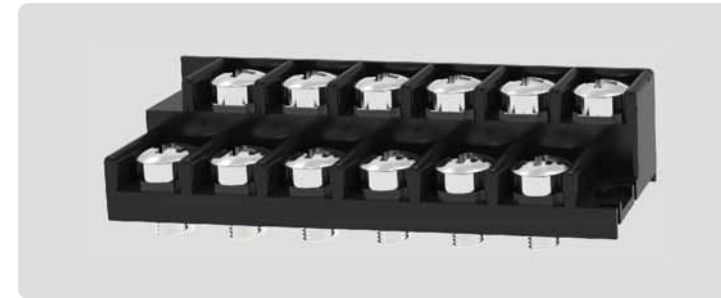


### DEVELOPING DG762-2-AF



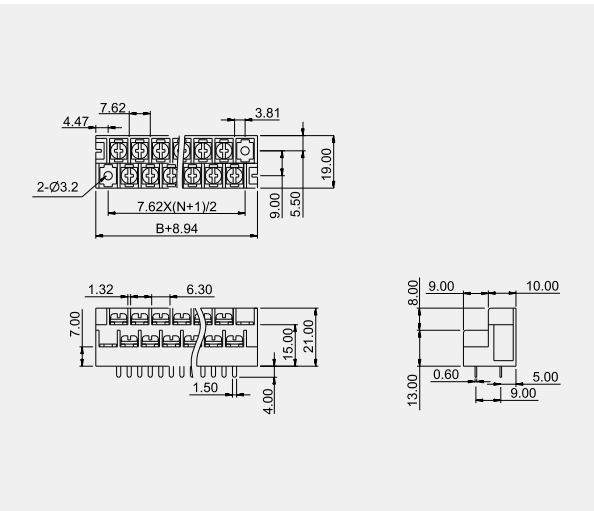
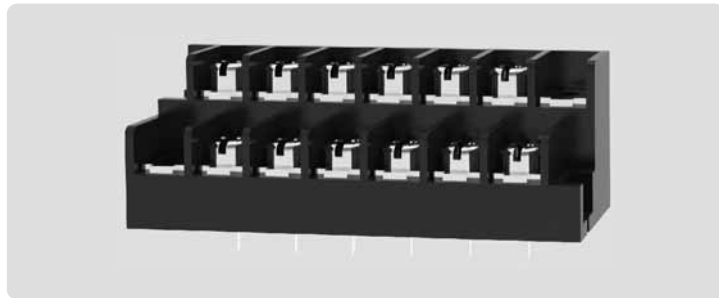
Use group	使用レベル	使用级别	B	C	D
Rated voltage	定格電圧	额定电压	300V	-	-
Rated current	定格電流	额定电流	10A	-	-
Wire range	電線径	导线线径		22-16AWG	
With standing voltage	耐電圧	耐电压		AC1600V/1Min	
Torque Value	ネジ締付トルク	锁紧扭力		0.5N.m (4.4Lb.In)	
Ambient temperature	环境温度	环境温度		-40°C~+105°C	
Housing	本体	塑件		PA66, UL94V-0	
Terminal	導電板	端子	Copper alloy, 0.6t, Tin Plated	銅合金0.6厚, 錫メッキ	銅合金0.6厚, 鍍錫
Screws	結線ビス	螺丝	Steel, M3, Ni Plated	鋼, M3, ニッケルメッキ	鋼, M3, 鍍錫

### DEVELOPING DG762-2-D



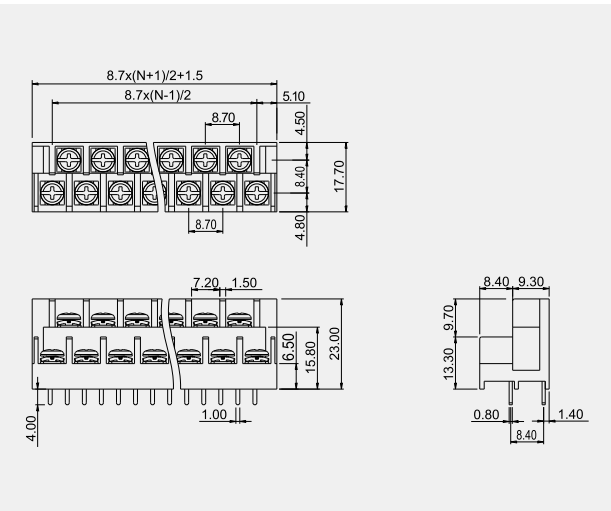
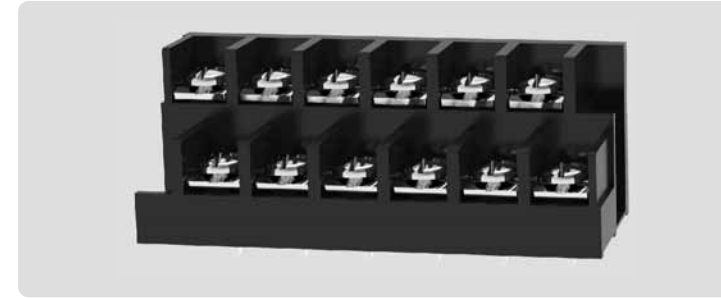
Use group	使用レベル	使用级别	B	C	D
Rated voltage	定格電圧	额定电压	300V	-	-
Rated current	定格電流	额定电流	10A	-	-
Wire range	電線径	导线线径		22-16AWG	
With standing voltage	耐電圧	耐电压		AC1600V/1Min	
Torque Value	ネジ締付トルク	锁紧扭力		0.5N.m (4.4Lb.In)	
Ambient temperature	环境温度	环境温度		-40°C~+105°C	
Housing	本体	塑件		PA66, UL94V-0	
Terminal	導電板	端子	Copper alloy, 0.8t, Tin Plated	銅合金0.8厚, 錫メッキ	銅合金0.8厚, 鍍錫
Screws	結線ビス	螺丝	Steel, M3, Ni Plated	鋼, M3, ニッケルメッキ	鋼, M3, 鍍錫

### DEVELOPING DG762-2-BF



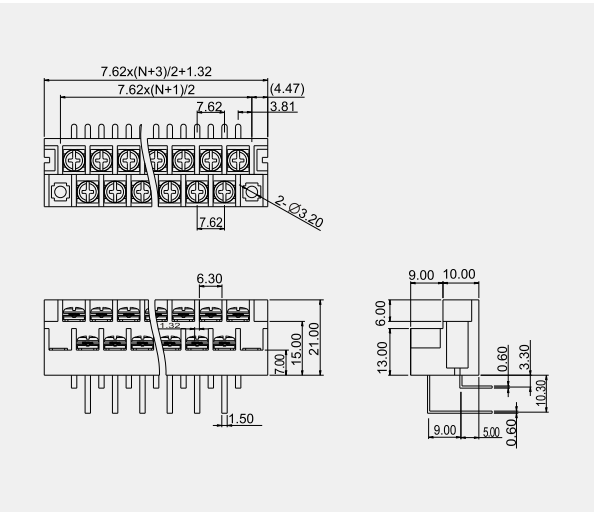
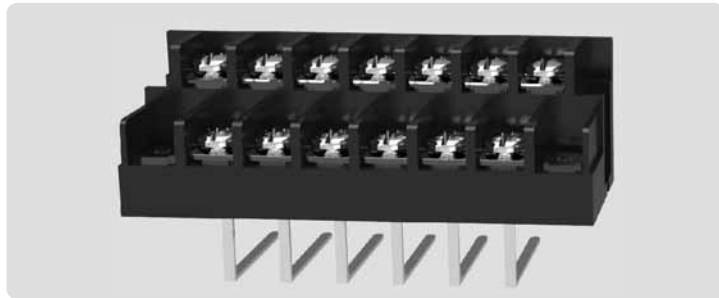
Use group	使用レベル	使用级别	B	C	D
Rated voltage	定格電圧	额定电压	300V	-	-
Rated current	定格電流	额定电流	10A	-	-
Wire range	電線径	导线线径		22-16AWG	
With standing voltage	耐電圧	耐电压		AC1600V/1Min	
Torque Value	ネジ締付トルク	锁紧扭力		0.5N.m (4.4Lb.In)	
Ambient temperature	环境温度	环境温度		-40°C~+105°C	
Housing	本体	塑件		PA66, UL94V-0	
Terminal	導電板	端子	Copper alloy, 0.6t, Tin Plated	銅合金0.6厚, 錫メッキ	銅合金0.6厚, 鍍錫
Screws	結線ビス	螺丝	Steel, M3, Ni Plated	鋼, M3, ニッケルメッキ	鋼, M3, 鍍錫

### DEVELOPING DG870-2-A



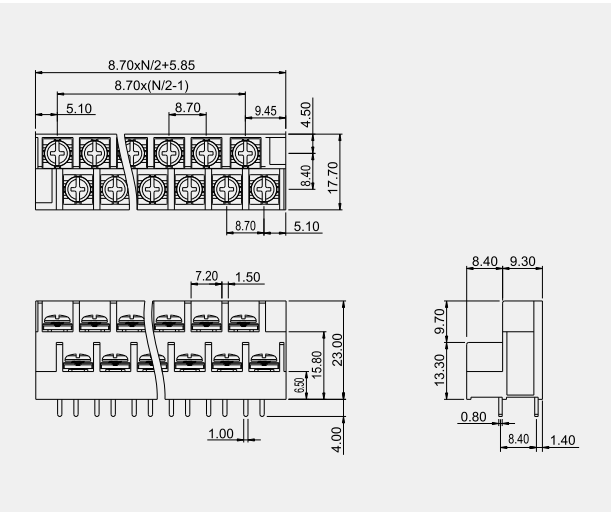
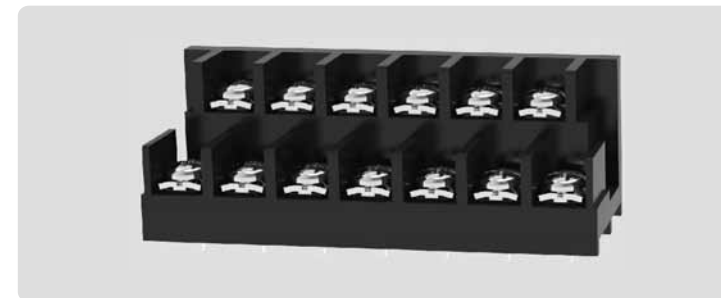
Use group	使用レベル	使用级别	B	C	D
Rated voltage	定格電圧	额定电压	300V	-	-
Rated current	定格電流	额定电流	10A	-	-
Wire range	電線径	导线线径		22-16AWG	
With standing voltage	耐電圧	耐电压		AC1600V/1Min	
Torque Value	ネジ締付トルク	锁紧扭力		0.8N.m (7.0Lb.In)	
Ambient temperature	环境温度	环境温度		-40°C~+105°C	
Housing	本体	塑件		PA66, UL94V-0	
Terminal	導電板	端子	Copper alloy, 0.8t, Tin Plated	銅合金0.8厚, 錫メッキ	銅合金0.8厚, 鍍錫
Screws	結線ビス	螺丝	Steel, M3.5, Ni Plated	鋼, M3.5, ニッケルメッキ	鋼, M3.5, 鍍錫

### DEVELOPING DG762R-2-LS



Use group	使用レベル	使用级别	B	C	D
Rated voltage	定格電圧	额定电压	300V	-	-
Rated current	定格電流	额定电流	10A	-	-
Wire range	電線径	导线线径		22-16AWG	
With standing voltage	耐電圧	耐电压		AC1600V/1Min	
Torque Value	ネジ締付トルク	锁紧扭力		0.5N.m (4.4Lb.In)	
Ambient temperature	环境温度	环境温度		-40°C~+105°C	
Housing	本体	塑件		PA66, UL94V-0	
Terminal	導電板	端子	Copper alloy, 1.0t, Tin Plated	銅合金1.0厚, 錫メッキ	銅合金1.0厚, 鍍錫
Screws	結線ビス	螺丝	Steel, M3, Ni Plated	鋼, M3, ニッケルメッキ	鋼, M3, 鍍錫

### DEVELOPING DG870-2-B



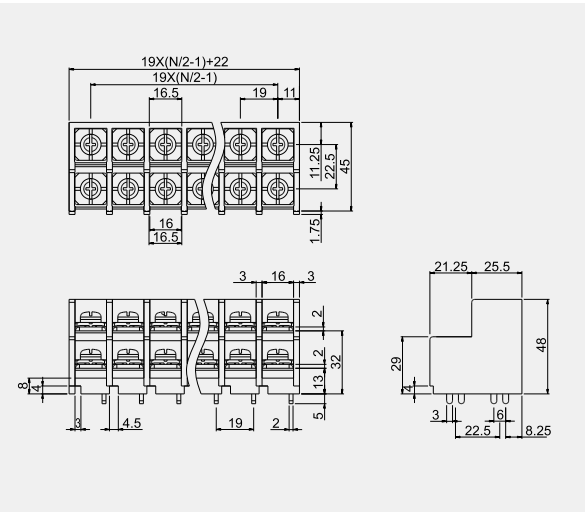
Use group	使用レベル	使用级别	B	C	D
Rated voltage	定格電圧	额定电压	300V	-	-
Rated current	定格電流	额定电流	10A	-	-
Wire range	電線径	导线线径		22-16AWG	
With standing voltage	耐電圧	耐电压		AC1600V/1Min	
Torque Value	ネジ締付トルク	锁紧扭力		0.8N.m (7.0Lb.In)	
Ambient temperature	环境温度	环境温度		-40°C~+105°C	
Housing	本体	塑件		PA66, UL94V-0	
Terminal	導電板	端子	Copper alloy, 0.8t, Tin Plated	銅合金0.8厚, 錫メッキ	銅合金0.8厚, 鍍錫
Screws	結線ビス	螺丝	Steel, M3.5, Ni Plated	鋼, M3.5, ニッケルメッキ	鋼, M3.5, 鍍錫



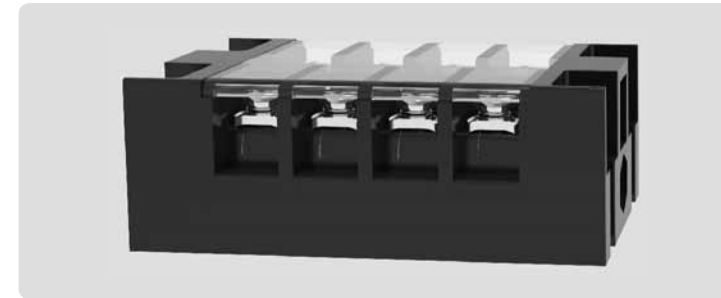
### DEVELOPING DG1900-2-B



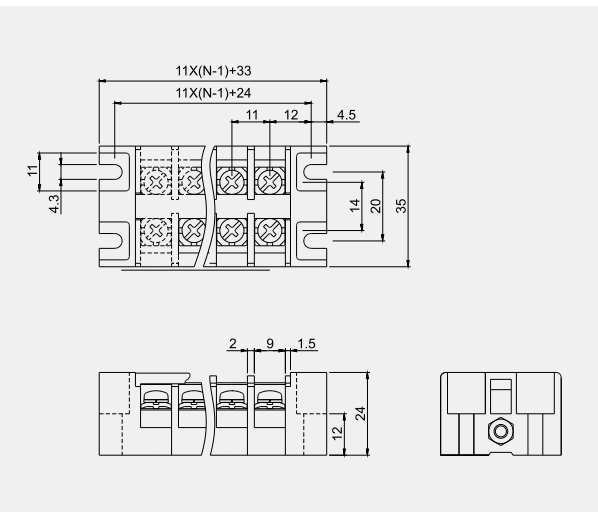
Use group	使用レベル	使用級別	B	C	D
Rated voltage	定格電圧	额定电压	600V	-	-
Rated current	定格電流	额定电流	127A	-	-
Wire range	電線径	导线线径		22-1AWG	
With standing voltage	耐電圧	耐电压		AC2200V/1Min	
Torque Value	ネジ締付トルク	锁紧扭力		2.5N.m (22.1Lb.In)	
Ambient temperature	環境温度	环境温度		-40°C~+105°C	
Housing	本体	塑件		PA66, UL94V-0	
Terminal	導電板	端子	Copper alloy, 2.0t, Tin Plated	銅合金20厚, 錫メッキ	銅合金, 2.0厚, 鍍錫
Screws	結線ビス	螺丝	Steel, M6, Ni Plated	鋼, M6, ニッケルメッキ	鋼, M6, 鍍錫



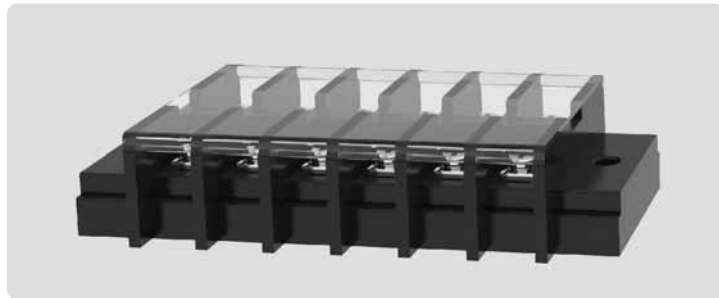
### DEVELOPING DG1100-AG



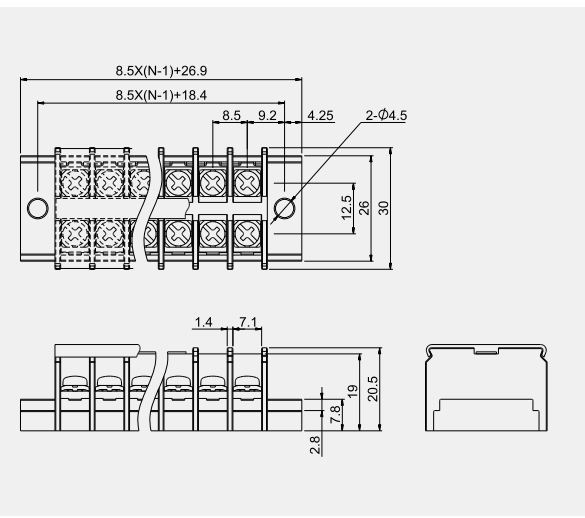
Use group	使用レベル	使用級別	B	C	D
Rated voltage	定格電圧	额定电压	600V	-	-
Rated current	定格電流	额定电流	30A	-	-
Wire range	電線径	导线线径		22-10AWG	
With standing voltage	耐電圧	耐电压		AC2200V/1Min	
Torque Value	ネジ締付トルク	锁紧扭力		1.2N.m (10.5Lb.In)	
Ambient temperature	環境温度	环境温度		-40°C~+105°C	
Housing	本体	塑件		PA66, UL94V-0	
Terminal	導電板	端子	Copper alloy, 1.6t, Tin Plated	銅合金16厚, 錫メッキ	銅合金, 1.6厚, 鍍錫
Screws	結線ビス	螺丝	Steel, M4, Ni Plated	鋼, M4, ニッケルメッキ	鋼, M4, 鍍錫



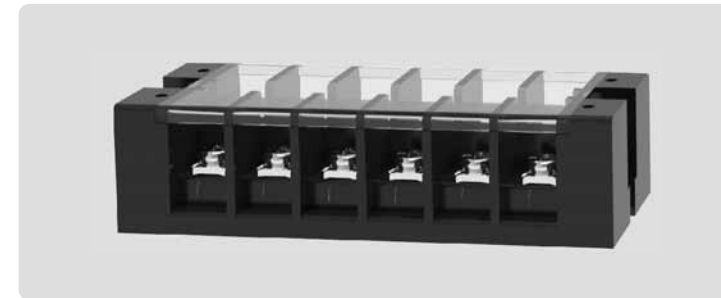
### DEVELOPING DG8500-AG



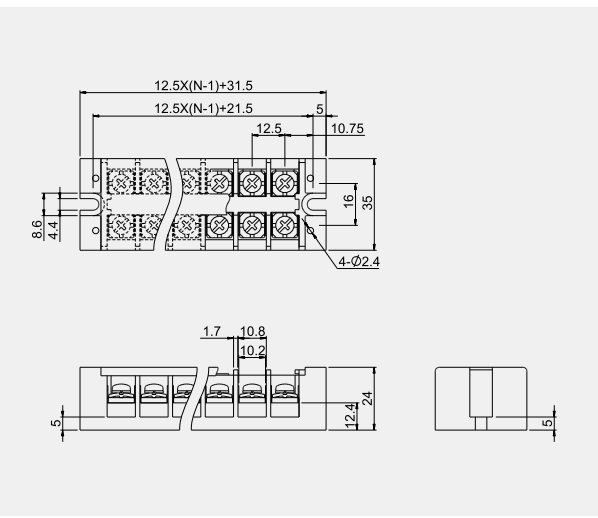
Use group	使用レベル	使用級別	B	C	D
Rated voltage	定格電圧	额定电压	300V	-	-
Rated current	定格電流	额定电流	20A	-	-
Wire range	電線径	导线线径		22-12AWG	
With standing voltage	耐電圧	耐电压		AC1600V/1Min	
Torque Value	ネジ締付トルク	锁紧扭力		0.8N.m (7.0Lb.In)	
Ambient temperature	環境温度	环境温度		-40°C~+105°C	
Housing	本体	塑件		PA66, UL94V-0	
Terminal	導電板	端子	Copper alloy, 2.0t, Tin Plated	銅合金20厚, 錫メッキ	銅合金, 2.0厚, 鍍錫
Screws	結線ビス	螺丝	Steel, M3.5, Ni Plated	鋼, M3.5, ニッケルメッキ	鋼, M3.5, 鍍錫



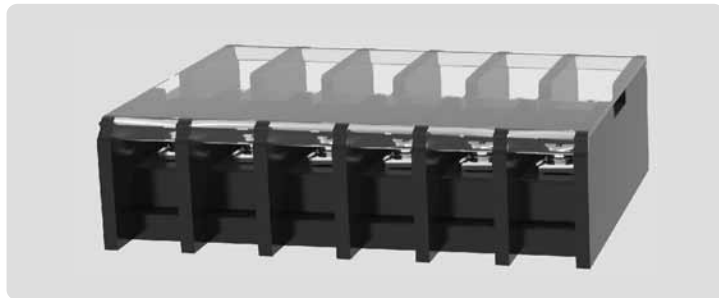
### DEVELOPING DG1250-AG



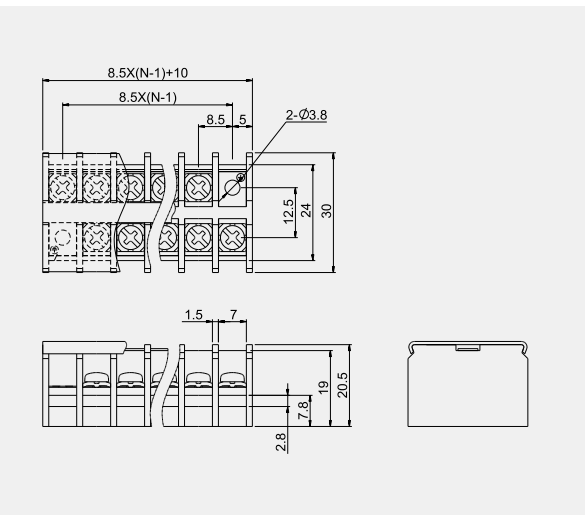
Use group	使用レベル	使用級別	B	C	D
Rated voltage	定格電圧	额定电压	600V	-	-
Rated current	定格電流	额定电流	35A	-	-
Wire range	電線径	导线线径		22-8AWG	
With standing voltage	耐電圧	耐电压		AC2200V/1Min	
Torque Value	ネジ締付トルク	锁紧扭力		1.2N.m (10.5Lb.In)	
Ambient temperature	環境温度	环境温度		-40°C~+105°C	
Housing	本体	塑件		PA66, UL94V-0	
Terminal	導電板	端子	Copper alloy, 2.0t, Tin Plated	銅合金20厚, 錫メッキ	銅合金, 2.0厚, 鍍錫
Screws	結線ビス	螺丝	Steel, M4, Ni Plated	鋼, M4, ニッケルメッキ	鋼, M4, 鍍錫



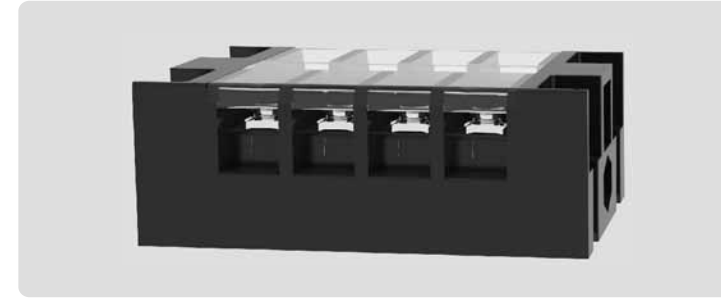
### DEVELOPING DG8500-BG



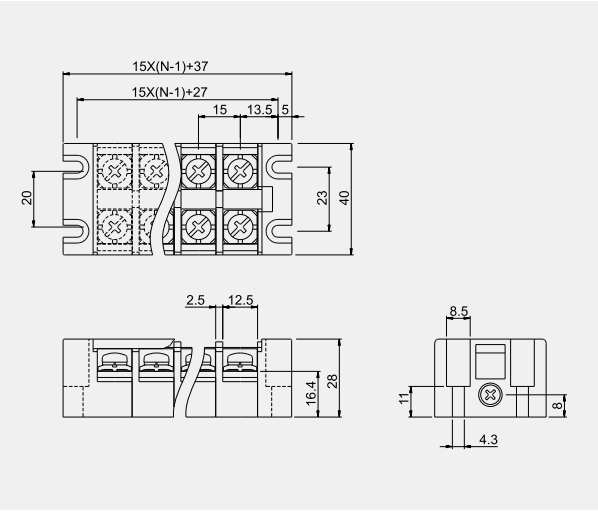
Use group	使用レベル	使用級別	B	C	D
Rated voltage	定格電圧	额定电压	300V	-	-
Rated current	定格電流	额定电流	20A	-	-
Wire range	電線径	导线线径		22-12AWG	
With standing voltage	耐電圧	耐电压		AC1600V/1Min	
Torque Value	ネジ締付トルク	锁紧扭力		0.8N.m (7.0Lb.In)	
Ambient temperature	環境温度	环境温度		-40°C~+105°C	
Housing	本体	塑件		PA66, UL94V-0	
Terminal	導電板	端子	Copper alloy, 2.0t, Tin Plated	銅合金20厚, 錫メッキ	銅合金, 2.0厚, 鍍錫
Screws	結線ビス	螺丝	Steel, M3.5, Ni Plated	鋼, M3.5, ニッケルメッキ	鋼, M3.5, 鍍錫



### DEVELOPING DG150-AG

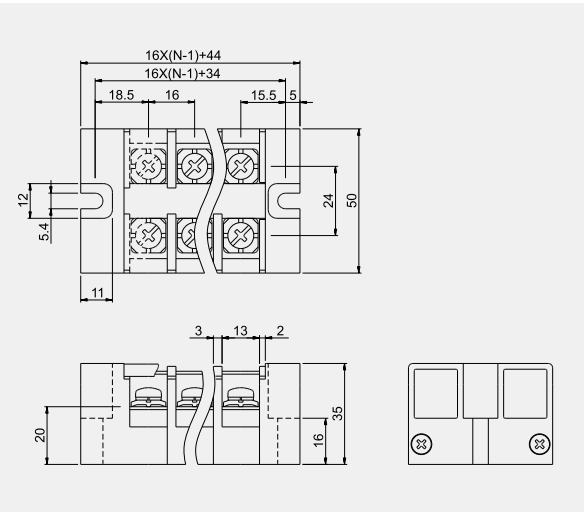
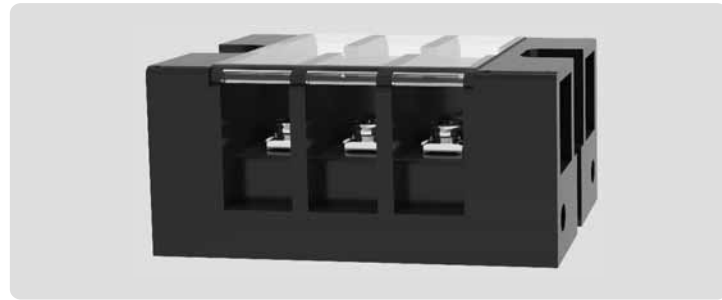


Use group	使用レベル	使用級別	B	C	D
Rated voltage	定格電圧	额定电压	600V	-	-
Rated current	定格電流	额定电流	50A	-	-
Wire range	電線径	导线线径		22-8AWG	
With standing voltage	耐電圧	耐电压		AC2200V/1Min	
Torque Value	ネジ締付トルク	锁紧扭力		2.0N.m (17.5Lb.In)	
Ambient temperature	環境温度	环境温度		-40°C~+105°C	
Housing	本体	塑件		PA66, UL94V-0	
Terminal	導電板	端子	Copper alloy, 2.5t, Tin Plated	銅合金25厚, 錫メッキ	銅合金, 2.5厚, 鍍錫
Screws	結線ビス	螺丝	Steel, M5, Ni Plated	鋼, M5, ニッケルメッキ	鋼, M5, 鍍錫



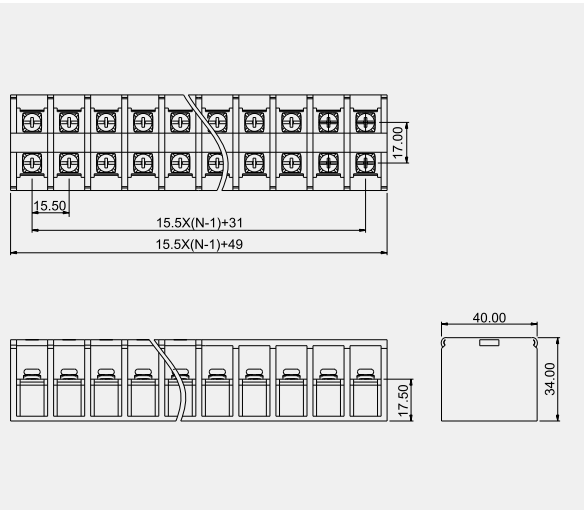


### DEV-L0P1NG DG160-AG



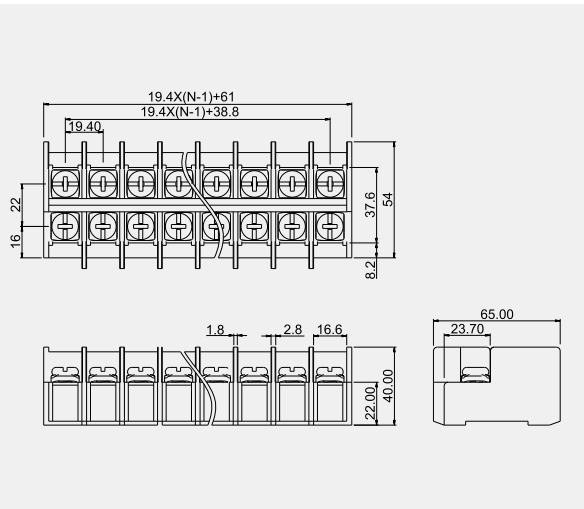
Use group	使用レベル	使用级别	B	C	D
Rated voltage	定格電圧	额定电压	600V	-	-
Rated current	定格電流	额定电流	85A	-	-
Wire range	電線径	导线线径		22-4AWG	
With standing voltage	耐電圧	耐电压		AC2200V/1Min	
Torque Value	ネジ締付トルク	锁紧扭力		2.0N.m (17.5Lb.In)	
Ambient temperature	环境温度	环境温度		-40°C~+105°C	
Housing	本体	塑件		PA66, UL94V-0	
Terminal	導電板	端子	Copper alloy, 3.0t, Tin Plated	銅合金30厚, 錫メッキ	銅合金, 3.0厚, 鍍錫
Screws	結線ビス	螺丝	Steel, M5, Ni Plated	鋼, M5, ニッケルメッキ	鋼, M5, 鍍錫

### DEV-L0P1NG DG1550-BG



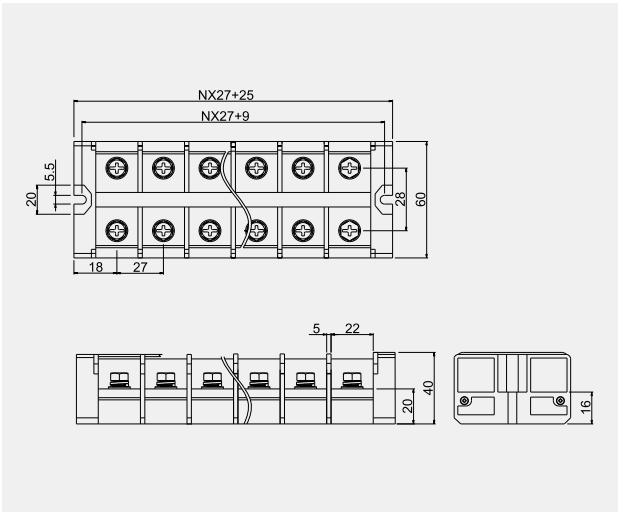
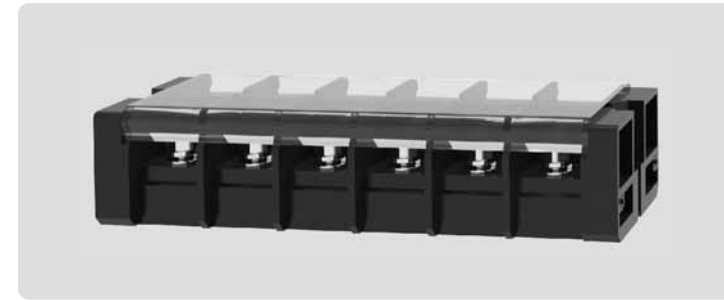
Use group	使用レベル	使用级别	B	C	D
Rated voltage	定格電圧	额定电压	600V	-	-
Rated current	定格電流	额定电流	60A	-	-
Wire range	電線径	导线线径		22-6AWG	
With standing voltage	耐電圧	耐电压		AC2200V/1Min	
Torque Value	ネジ締付トルク	锁紧扭力		2.0N.m (17.5Lb.In)	
Ambient temperature	环境温度	环境温度		-40°C~+105°C	
Housing	本体	塑件		PA66, UL94V-0	
Terminal	導電板	端子	Copper alloy, 2.5t, Tin Plated	銅合金25厚, 錫メッキ	銅合金, 2.5厚, 鍍錫
Screws	結線ビス	螺丝	Steel, M5, Ni Plated	鋼, M5, ニッケルメッキ	鋼, M5, 鍍錫

### DEV-L0P1NG DG1940-B



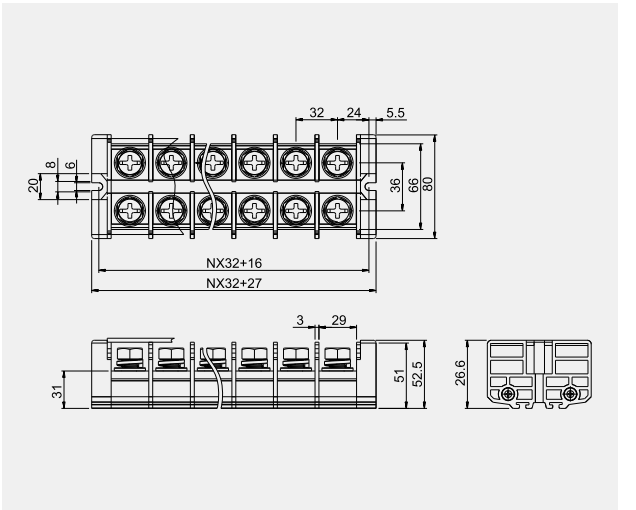
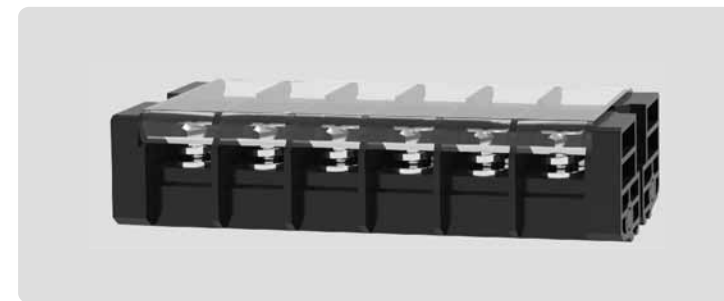
Use group	使用レベル	使用级别	B	C	D
Rated voltage	定格電圧	额定电压	600V	-	-
Rated current	定格電流	额定电流	110A	-	-
Wire range	電線径	导线线径		22-2/0AWG	
With standing voltage	耐電圧	耐电压		AC2200V/1Min	
Torque Value	ネジ締付トルク	锁紧扭力		2.5N.m (22.1Lb.In)	
Ambient temperature	环境温度	环境温度		-40°C~+105°C	
Housing	本体	塑件		PA66, UL94V-0	
Terminal	導電板	端子	Copper alloy, 3.0t, Tin Plated	銅合金30厚, 錫メッキ	銅合金, 3.0厚, 鍍錫
Screws	結線ビス	螺丝	Steel, M6, Ni Plated	鋼, M6, ニッケルメッキ	鋼, M6, 鍍錫

### DEV-L0P1NG DG270-AG



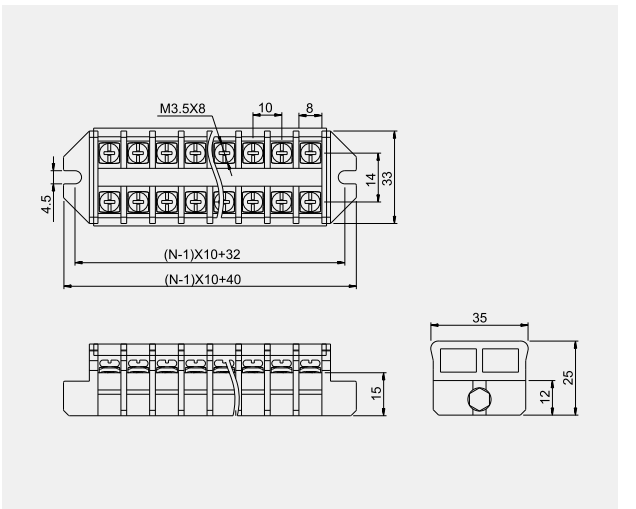
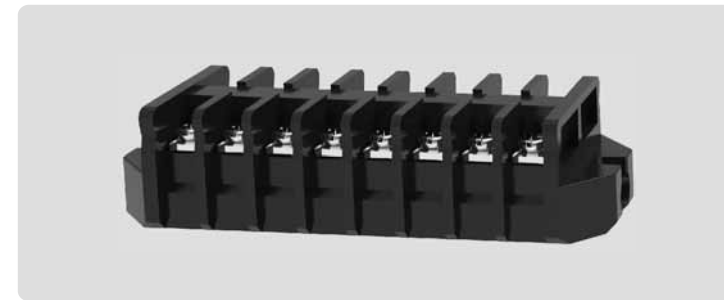
Use group	使用レベル	使用级别	B	C	D
Rated voltage	定格電圧	额定电压	600V	-	-
Rated current	定格電流	额定电流	156A	-	-
Wire range	電線径	导线线径		22-2/0AWG	
With standing voltage	耐電圧	耐电压		AC2200V/1Min	
Torque Value	ネジ締付トルク	锁紧扭力		3.5N.m (31.0Lb.In)	
Ambient temperature	环境温度	环境温度		-40°C~+105°C	
Housing	本体	塑件		PA66, UL94V-0	
Terminal	導電板	端子	Copper alloy, 4.0t, Tin Plated	銅合金40厚, 錫メッキ	銅合金, 4.0厚, 鍍錫
Screws	結線ビス	螺丝	Steel, M8, Ni Plated	鋼, M8, ニッケルメッキ	鋼, M8, 鍍錫

### DEV-L0P1NG DGR180



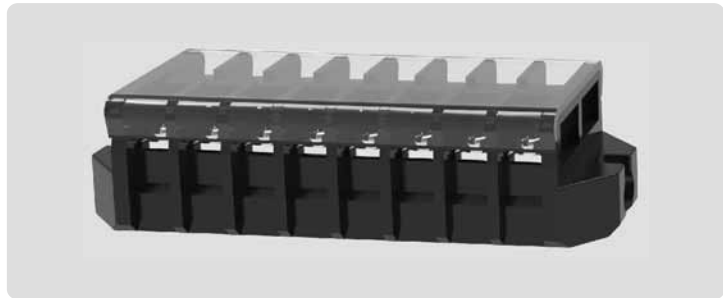
Use group	使用レベル	使用级别	B	C	D
Rated voltage	定格電圧	额定电压	600V	-	-
Rated current	定格電流	额定电流	285A	-	-
Wire range	電線径	导线线径		20-30kcmil	
With standing voltage	耐電圧	耐电压		AC2200V/1Min	
Torque Value	ネジ締付トルク	锁紧扭力		3.5N.m (31.0Lb.In)	
Ambient temperature	环境温度	环境温度		-40°C~+105°C	
Housing	本体	塑件		PA66, UL94V-0	
Terminal	導電板	端子	Copper alloy, 4.0t, Tin Plated	銅合金40厚, 錫メッキ	銅合金, 4.0厚, 鍍錫
Screws	結線ビス	螺丝	Steel, M8, Ni Plated	鋼, M8, ニッケルメッキ	鋼, M8, 鍍錫

### DEV-L0P1NG DG10-AG

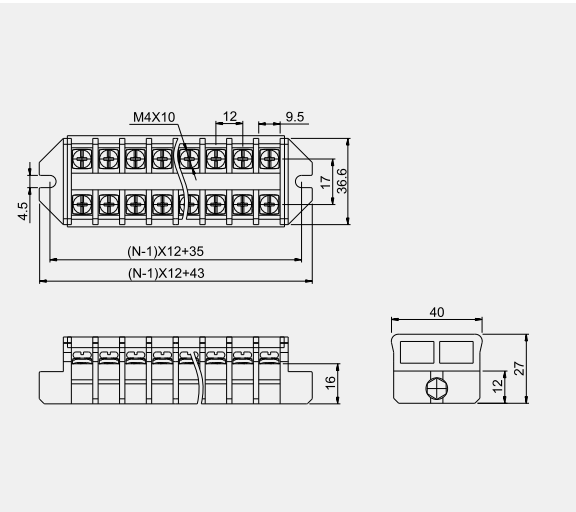


Use group	使用レベル	使用级别	B	C	D
Rated voltage	定格電圧	额定电压	600V	-	-
Rated current	定格電流	额定电流	20A	-	-
Wire range	電線径	导线线径		20-12AWG	
With standing voltage	耐電圧	耐电压		AC2200V/1Min	
Torque Value	ネジ締付トルク	锁紧扭力		0.8N.m (7.0Lb.In)	
Ambient temperature	环境温度	环境温度		-40°C~+105°C	
Housing	本体	塑件		PA66, UL94V-0	
Terminal	導電板	端子	Copper alloy, 3.0t, Tin Plated	銅合金30厚, 錫メッキ	銅合金, 3.0厚, 鍍錫
Screws	結線ビス	螺丝	Steel, M3.5, Ni Plated	鋼, M3.5, ニッケルメッキ	鋼, M3.5, 鍍錫

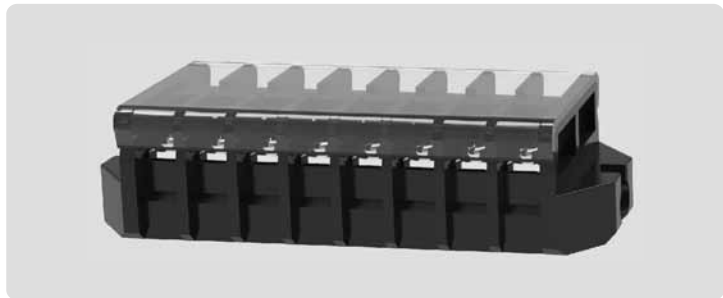
### DEVELOPING LOPING DG12-AG



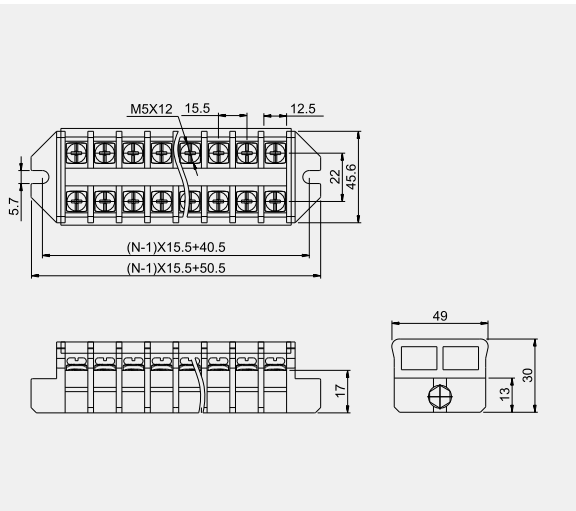
Use group	使用レベル	使用級別	B	C	D
Rated voltage	定格電圧	额定电压	600V	-	-
Rated current	定格電流	额定电流	40A	-	-
Wire range	電線径	导线线径		22-8AWG	
With standing voltage	耐電圧	耐电压		AC2200V/1Min	
Torque Value	ネジ締付トルク	锁紧扭力		1.2N.m (10.5Lb.In)	
Ambient temperature	环境温度	环境温度		-40°C~+105°C	
Housing	本体	塑件		PA66, UL94V-0	
Terminal	導電板	端子	Copper alloy, 3.0t, Tin Plated	銅合金3.0厚, 錫メッキ	銅合金, 3.0厚, 鍍錫
Screws	結線ビス	螺丝	Steel, M4, Ni Plated	鋼, M4, ニッケルメッキ	鋼, M4, 鍍錫



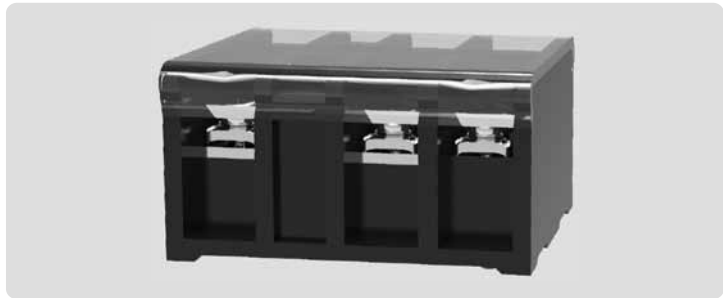
### DEVELOPING LOPING DG1550-AG



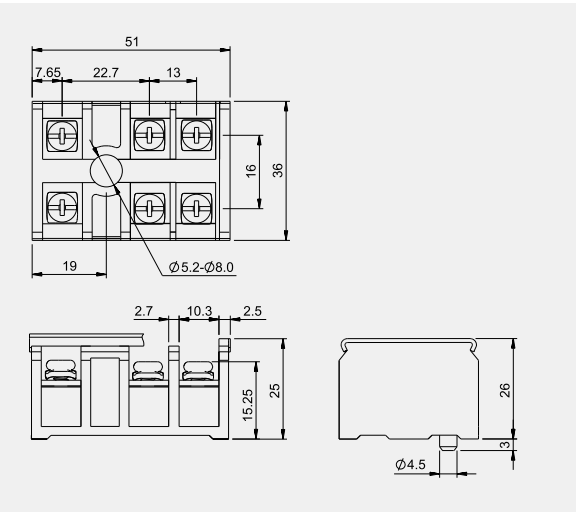
Use group	使用レベル	使用級別	B	C	D
Rated voltage	定格電圧	额定电压	600V	-	-
Rated current	定格電流	额定电流	50A	-	-
Wire range	電線径	导线线径		22-8AWG	
With standing voltage	耐電圧	耐电压		AC2200V/1Min	
Torque Value	ネジ締付トルク	锁紧扭力		2.0N.m (17.5Lb.In)	
Ambient temperature	环境温度	环境温度		-40°C~+105°C	
Housing	本体	塑件		PA66, UL94V-0	
Terminal	導電板	端子	Copper alloy, 3.0t, Tin Plated	銅合金3.0厚, 錫メッキ	銅合金, 3.0厚, 鍍錫
Screws	結線ビス	螺丝	Steel, M5, Ni Plated	鋼, M5, ニッケルメッキ	鋼, M5, 鍍錫



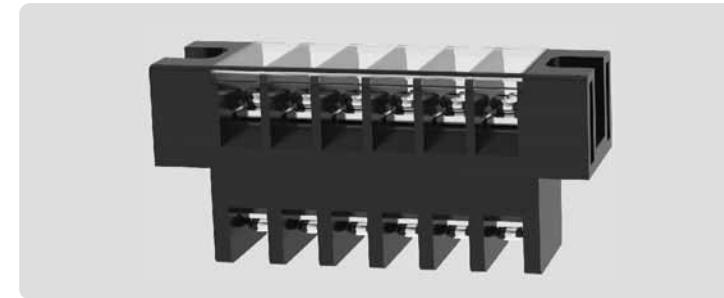
### DEVELOPING LOPING DG2270-B



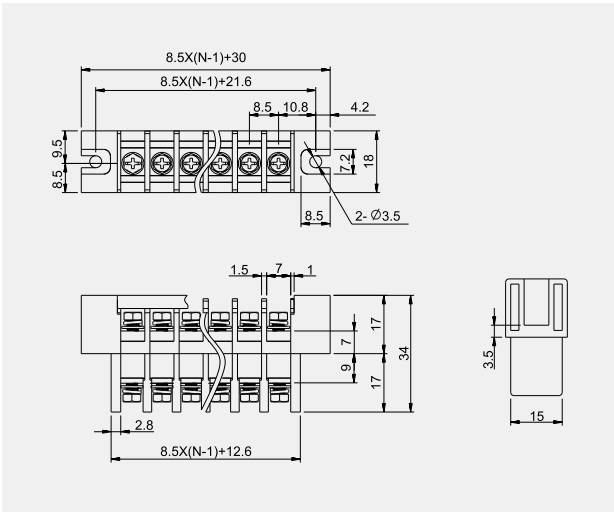
Use group	使用レベル	使用級別	B	C	D
Rated voltage	定格電圧	额定电压	600V	-	-
Rated current	定格電流	额定电流	35A	-	-
Wire range	電線径	导线线径		22-8AWG	
With standing voltage	耐電圧	耐电压		AC2200V/1Min	
Torque Value	ネジ締付トルク	锁紧扭力		1.2N.m (10.5Lb.In)	
Ambient temperature	环境温度	环境温度		-40°C~+105°C	
Housing	本体	塑件		PA66, UL94V-0	
Terminal	導電板	端子	Copper alloy, 2.0t, Tin Plated	銅合金2.0厚, 錫メッキ	銅合金, 2.0厚, 鍍錫
Screws	結線ビス	螺丝	Steel, M4, Ni Plated	鋼, M4, ニッケルメッキ	鋼, M4, 鍍錫



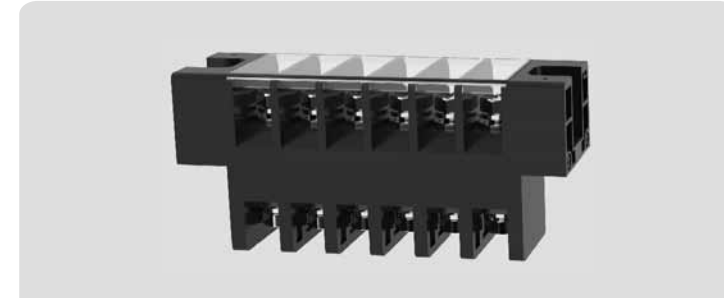
### DEVELOPING LOPING DGA10-A



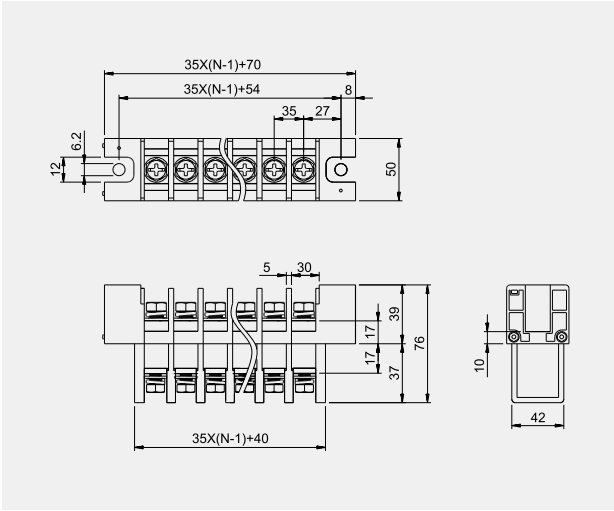
Use group	使用レベル	使用級別	B	C	D
Rated voltage	定格電圧	额定电压	300V	-	-
Rated current	定格電流	额定电流	20A	-	-
Wire range	電線径	导线线径		22-12AWG	
With standing voltage	耐電圧	耐电压		AC1600V/1Min	
Torque Value	ネジ締付トルク	锁紧扭力		0.8N.m (7.0Lb.In)	
Ambient temperature	环境温度	环境温度		-40°C~+105°C	
Housing	本体	塑件		PA66, UL94V-0	
Terminal	導電板	端子	Copper alloy, 1.2t, Tin Plated	銅合金1.2厚, 錫メッキ	銅合金, 1.2厚, 鍍錫
Screws	結線ビス	螺丝	Steel, M3, Ni Plated	鋼, M3, ニッケルメッキ	鋼, M3, 鍍錫



### DEVELOPING LOPING DGA190-A



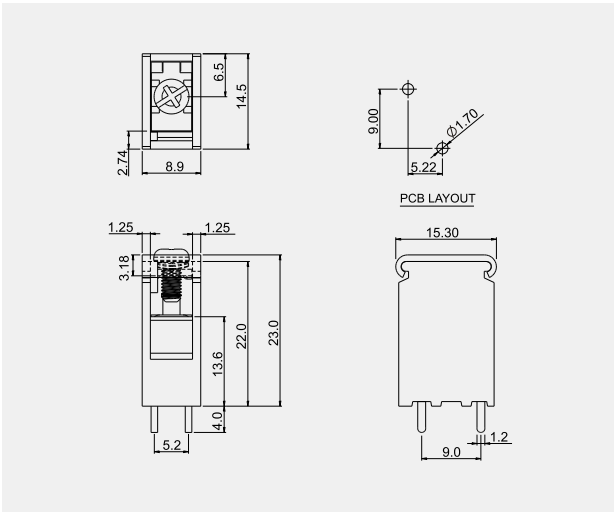
Rated voltage	定格電圧	额定电压	600V	-	-
Rated current	定格電流	额定电流	250A	-	-
Wire range	電線径	导线线径		22-4/0AWG	
With standing voltage	耐電圧	耐电压		AC2200V/1Min	
Torque Value	ネジ締付トルク	锁紧扭力		4.0N.m (35.4Lb.In)	
Ambient temperature	环境温度	环境温度		-40°C~+105°C	
Housing	本体	塑件		PA66, UL94V-0	
Terminal	導電板	端子	Copper alloy, 3.0t, Ni Plated	銅合金3.0厚, ニッケルメッキ	銅合金, 3.0厚, 鍍錫
Screws	結線ビス	螺丝	Steel, M10, Ni Plated	鋼, M10, ニッケルメッキ	鋼, M10, 鍍錫



### DEVELOPING LOPING DG160-DA



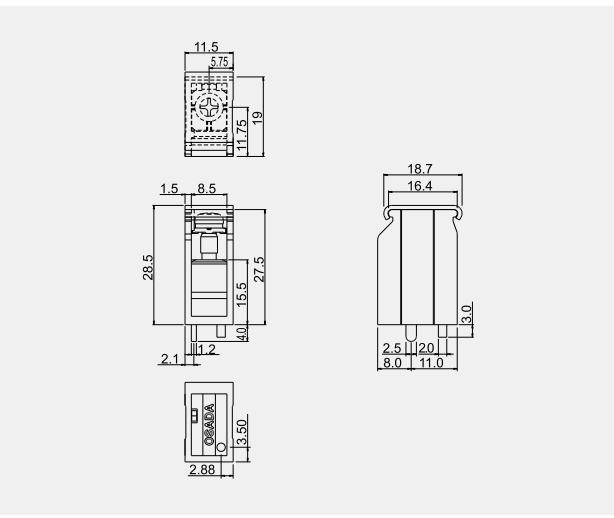
Use group	使用レベル	使用級別	B	C	D
Rated voltage	定格電圧	额定电压	300V	-	-
Rated current	定格電流	额定电流	10A	-	-
Wire range	電線径	导线线径		22-16AWG	
With standing voltage	耐電圧	耐电压		AC1600V/1Min	
Torque Value	ネジ締付トルク	锁紧扭力		0.5N.m (4.4Lb.In)	
Ambient temperature	环境温度	环境温度		-40°C~+105°C	
Housing	本体	塑件		PA66, UL94V-0	
Terminal	導電板	端子	Copper alloy, 1.0t, Tin Plated	銅合金1.0厚, 錫メッキ	銅合金, 1.0厚, 鍍錫
Screws	結線ビス	螺丝	Steel, M3, Ni Plated	鋼, M3, ニッケルメッキ	鋼, M3, 鍍錫



### DEVELOPING LOBINING DG170-B



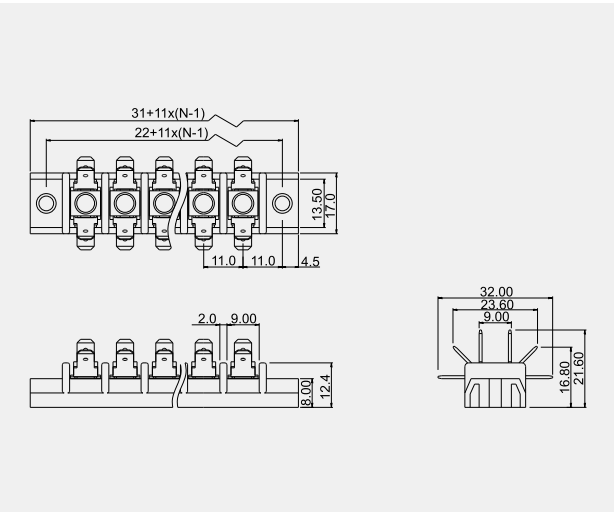
Use group	使用レベル	使用級別	B	C	D
Rated voltage	定格電圧	额定电压	600V	-	-
Rated current	定格電流	额定电流	30A	-	-
Wire range	電線径	导线线径	-	22-10AWG	-
With standing voltage	耐電圧	耐电压	-	AC2200V/1Min	-
Torque Value	ネジ締付トルク	锁紧扭力	-	1.2N.m (10.5Lb.In)	-
Ambient temperature	環境温度	环境温度	-40°C~+105°C	-	-
Housing	本体	塑件	-	PA66, UL94V-0	-
Terminal	導電板	端子	Copper alloy, 1.2t, Tin Plated	銅合金1.2厚, 錫メッキ	銅合金1.2厚, 鍍錫
Screws	結線ビス	螺丝	Steel, M4, Ni Plated	鋼, M4, ニッケルメッキ	鋼, M4, 鍍錫



### DEVELOPING LOBINING DG11-A-Q



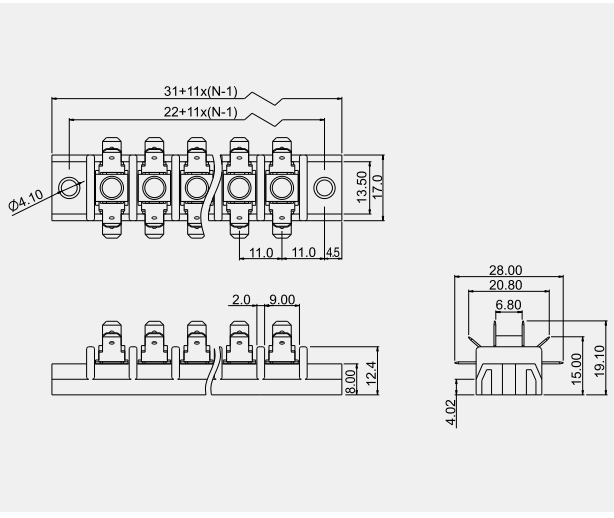
Use group	使用レベル	使用級別	B	C	D
Rated voltage	定格電圧	额定电压	250V	-	-
Rated current	定格電流	额定电流	20A	-	-
Wire range	電線径	导线线径	-	22-12AWG	-
With standing voltage	耐電圧	耐电压	-	AC1500V/1Min	-
Torque Value	ネジ締付トルク	锁紧扭力	-	-	-
Ambient temperature	環境温度	环境温度	-40°C~+105°C	-	-
Housing	本体	塑件	-	PA66, UL94V-0	-
Terminal	導電板	端子	Copper alloy, 0.8t, Tin Plated	銅合金0.8厚, 錫メッキ	銅合金0.8厚, 鍍錫
Screws	結線ビス	螺丝	-	-	-



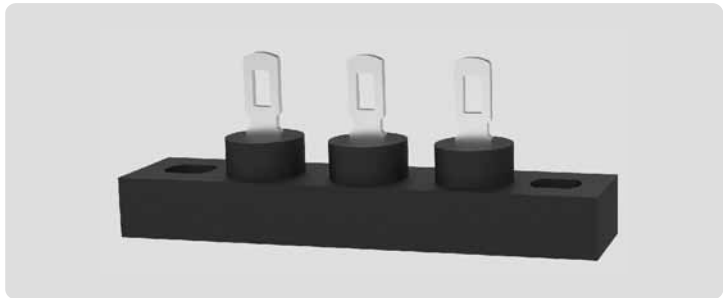
### DEVELOPING LOBINING DG110-A-Q



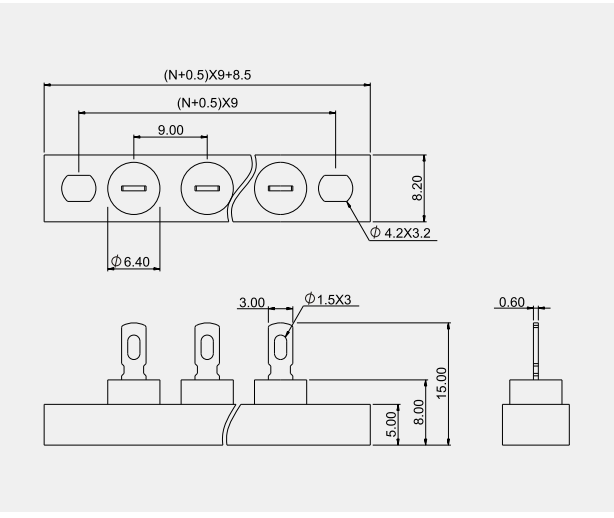
Use group	使用レベル	使用級別	B	C	D
Rated voltage	定格電圧	额定电压	250V	-	-
Rated current	定格電流	额定电流	10A	-	-
Wire range	電線径	导线线径	-	22-16AWG	-
With standing voltage	耐電圧	耐电压	-	AC1500V/1Min	-
Torque Value	ネジ締付トルク	锁紧扭力	-	-	-
Ambient temperature	環境温度	环境温度	-40°C~+105°C	-	-
Housing	本体	塑件	-	PA66, UL94V-0	-
Terminal	導電板	端子	Copper alloy, 0.5t, Tin Plated	銅合金0.5厚, 錫メッキ	銅合金0.5厚, 鍍錫
Screws	結線ビス	螺丝	-	-	-



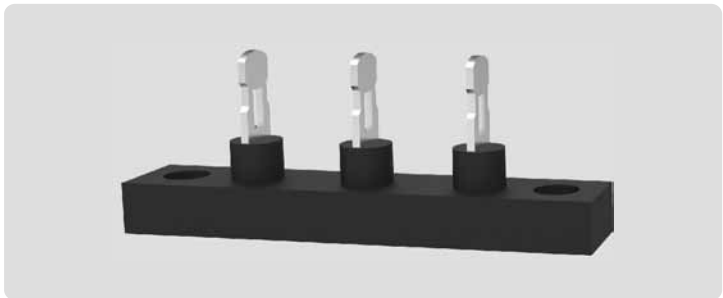
### DEVELOPING LOBINING DG18-A-Q



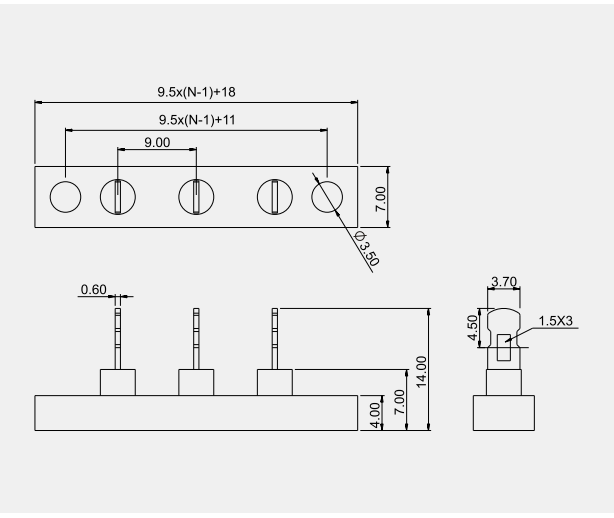
Use group	使用レベル	使用級別	B	C	D
Rated voltage	定格電圧	额定电压	150V	-	-
Rated current	定格電流	额定电流	10A	-	-
Wire range	電線径	导线线径	-	-	-
With standing voltage	耐電圧	耐电压	-	AC1300V/1Min	-
Torque Value	ネジ締付トルク	锁紧扭力	-	-	-
Ambient temperature	環境温度	环境温度	-40°C~+105°C	-	-
Housing	本体	塑件	-	PA66, UL94V-0	-
Terminal	導電板	端子	Copper alloy, 0.6t, Tin Plated	銅合金0.6厚, 錫メッキ	銅合金0.6厚, 鍍錫
Screws	結線ビス	螺丝	-	-	-



### DEVELOPING LOBINING DG19-A-Q



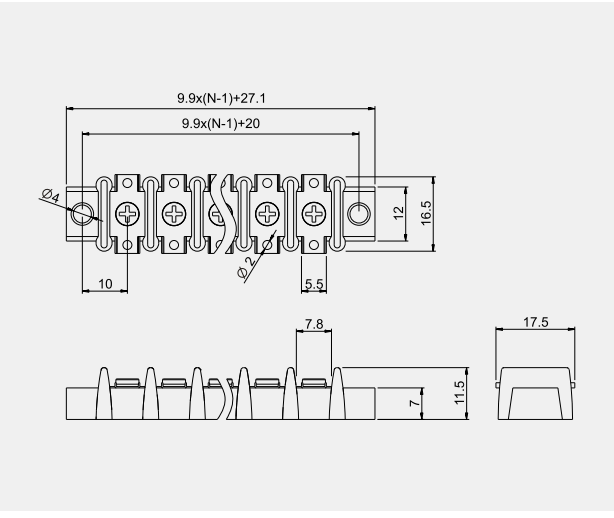
Use group	使用レベル	使用級別	B	C	D
Rated voltage	定格電圧	额定电压	125V	-	-
Rated current	定格電流	额定电流	3A	-	-
Wire range	電線径	导线线径	-	-	-
With standing voltage	耐電圧	耐电压	-	AC1250V/1Min	-
Torque Value	ネジ締付トルク	锁紧扭力	-	-	-
Ambient temperature	環境温度	环境温度	-40°C~+105°C	-	-
Housing	本体	塑件	-	PA66, UL94V-0	-
Terminal	導電板	端子	Copper alloy, 0.6t, Tin Plated	銅合金0.6厚, 錫メッキ	銅合金0.6厚, 鍍錫
Screws	結線ビス	螺丝	-	-	-



### DEVELOPING LOBINING DG99-A-Q

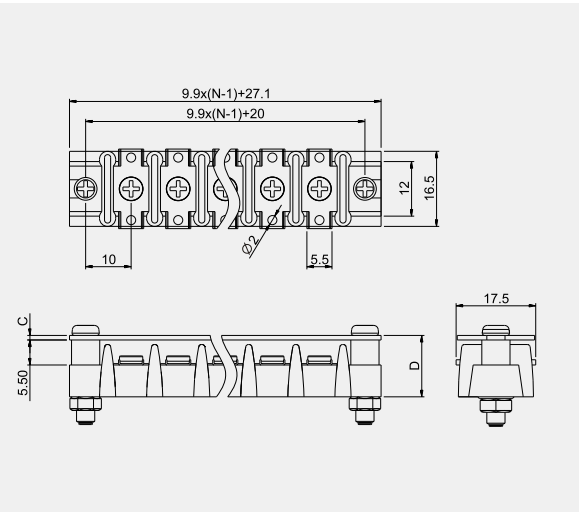
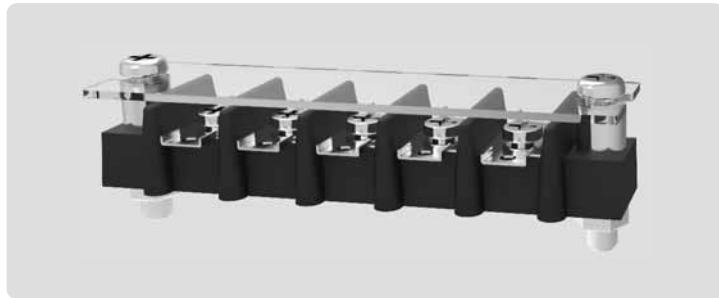


Use group	使用レベル	使用級別	B	C	D
Rated voltage	定格電圧	额定电压	250V	-	-
Rated current	定格電流	额定电流	6A	-	-
Wire range	電線径	导线线径	-	-	-
With standing voltage	耐電圧	耐电压	-	AC1500V/1Min	-
Torque Value	ネジ締付トルク	锁紧扭力	-	0.5N.m (4.4Lb.In)	-
Ambient temperature	環境温度	环境温度	-40°C~+105°C	-	-
Housing	本体	塑件	-	PA66, UL94V-0	-
Terminal	導電板	端子	Copper alloy, 1.5t, Tin Plated	銅合金1.5厚, 錫メッキ	銅合金1.5厚, 鍍錫
Screws	結線ビス	螺丝	Steel, M3, Ni Plated	鋼, M3, ニッケルメッキ	鋼, M3, 鍍錫



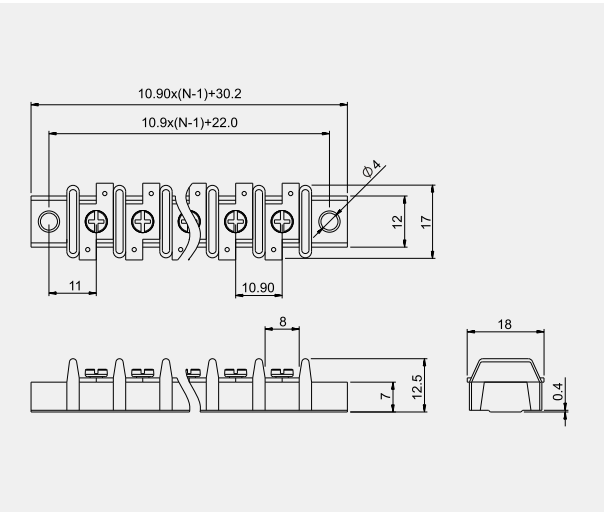


### DEVELOPING DG99A-QG



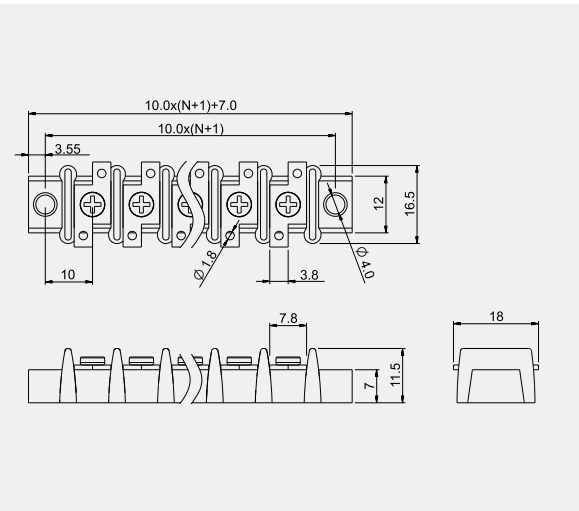
Use group	使用レベル	使用级别	B	C	D
Rated voltage	定格電圧	额定电压	250V	-	-
Rated current	定格電流	额定电流	6A	-	-
Wire range	電線径	导线线径	-	-	-
With standing voltage	耐電圧	耐电压	-	AC1500V/1Min	-
Torque Value	ネジ締付トルク	锁紧扭力	-	0.5N.m (4.4Lb.In)	-
Ambient temperature	环境温度	环境温度	-	-40°C~+105°C	-
Housing	本体	塑件	-	PA66, UL94V-0	-
Terminal	導電板	端子	Copper alloy, 1.5T, Tin Plated	銅合金1.5厚, 錫メッキ	銅合金1.5厚, 鍍錫
Screws	結線ビス	螺丝	Steel, M3, Ni Plated	鋼, M3, ニッケルメッキ	鋼, M3, 鍍錫

### DEVELOPING DG109-A-Q



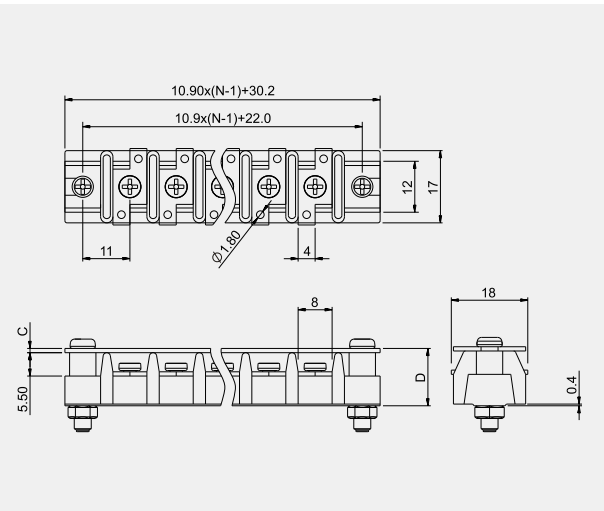
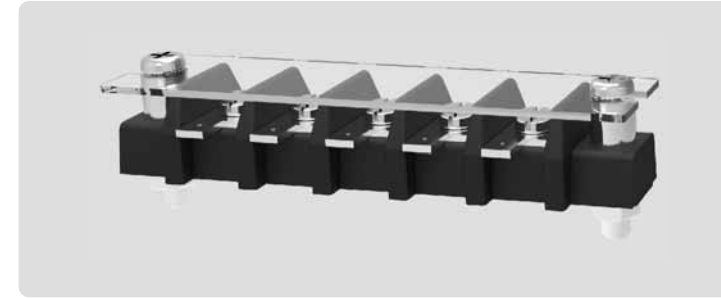
Use group	使用レベル	使用级别	B	C	D
Rated voltage	定格電圧	额定电压	250V	-	-
Rated current	定格電流	额定电流	6A	-	-
Wire range	電線径	导线线径	-	-	-
With standing voltage	耐電圧	耐电压	-	AC1500V/1Min	-
Torque Value	ネジ締付トルク	锁紧扭力	-	0.5N.m (4.4Lb.In)	-
Ambient temperature	环境温度	环境温度	-	-40°C~+105°C	-
Housing	本体	塑件	-	PA66, UL94V-0	-
Terminal	導電板	端子	Copper alloy, 1.5T, Tin Plated	銅合金1.5厚, 錫メッキ	銅合金1.5厚, 鍍錫
Screws	結線ビス	螺丝	Steel, M3, Ni Plated	鋼, M3, ニッケルメッキ	鋼, M3, 鍍錫

### DEVELOPING DG100-A-Q



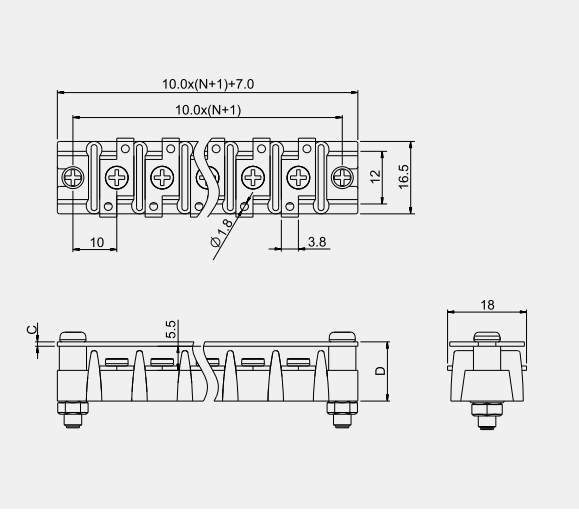
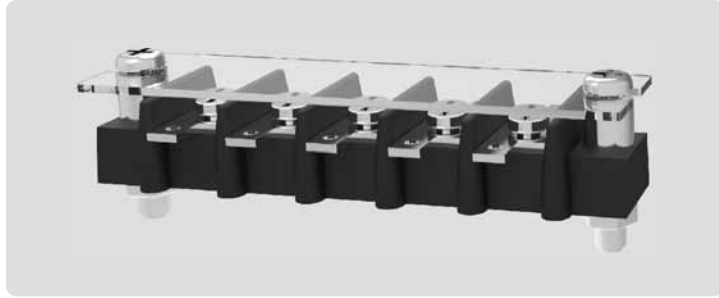
Use group	使用レベル	使用级别	B	C	D
Rated voltage	定格電圧	额定电压	250V	-	-
Rated current	定格電流	额定电流	6A	-	-
Wire range	電線径	导线线径	-	-	-
With standing voltage	耐電圧	耐电压	-	AC1500V/1Min	-
Torque Value	ネジ締付トルク	锁紧扭力	-	0.5N.m (4.4Lb.In)	-
Ambient temperature	环境温度	环境温度	-	-40°C~+105°C	-
Housing	本体	塑件	-	PA66, UL94V-0	-
Terminal	導電板	端子	Copper alloy, 1.5T, Tin Plated	銅合金1.5厚, 錫メッキ	銅合金1.5厚, 鍍錫
Screws	結線ビス	螺丝	Steel, M3, Ni Plated	鋼, M3, ニッケルメッキ	鋼, M3, 鍍錫

### DEVELOPING DG109-A-QG



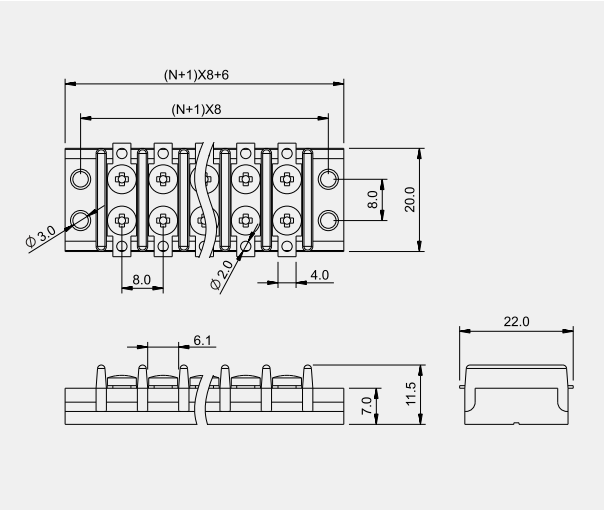
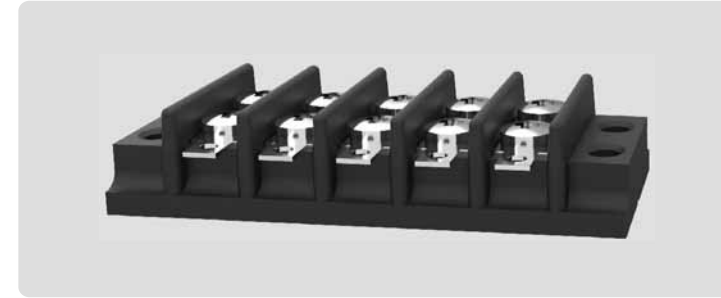
Use group	使用レベル	使用级别	B	C	D
Rated voltage	定格電圧	额定电压	250V	-	-
Rated current	定格電流	额定电流	6A	-	-
Wire range	電線径	导线线径	-	-	-
With standing voltage	耐電圧	耐电压	-	AC1500V/1Min	-
Torque Value	ネジ締付トルク	锁紧扭力	-	0.5N.m (4.4Lb.In)	-
Ambient temperature	环境温度	环境温度	-	-40°C~+105°C	-
Housing	本体	塑件	-	PA66, UL94V-0	-
Terminal	導電板	端子	Copper alloy, 1.5T, Tin Plated	銅合金1.5厚, 錫メッキ	銅合金1.5厚, 鍍錫
Screws	結線ビス	螺丝	Steel, M3, Ni Plated	鋼, M3, ニッケルメッキ	鋼, M3, 鍍錫

### DEVELOPING DG100-A-QG



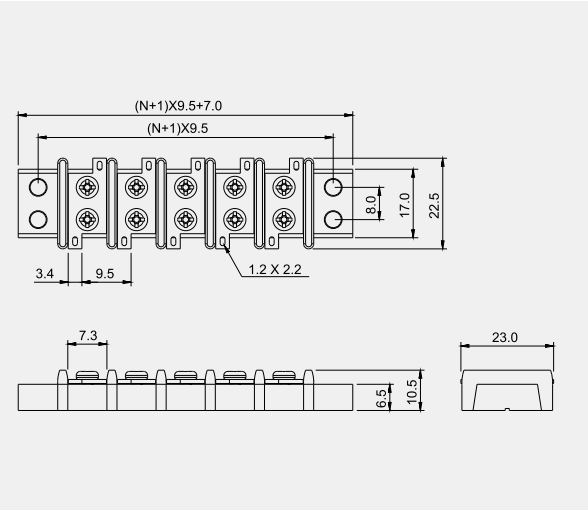
Use group	使用レベル	使用级别	B	C	D
Rated voltage	定格電圧	额定电压	250V	-	-
Rated current	定格電流	额定电流	6A	-	-
Wire range	電線径	导线线径	-	-	-
With standing voltage	耐電圧	耐电压	-	AC1500V/1Min	-
Torque Value	ネジ締付トルク	锁紧扭力	-	0.5N.m (4.4Lb.In)	-
Ambient temperature	环境温度	环境温度	-	-40°C~+105°C	-
Housing	本体	塑件	-	PA66, UL94V-0	-
Terminal	導電板	端子	Copper alloy, 1.5T, Tin Plated	銅合金1.5厚, 錫メッキ	銅合金1.5厚, 鍍錫
Screws	結線ビス	螺丝	Steel, M3, Ni Plated	鋼, M3, ニッケルメッキ	鋼, M3, 鍍錫

### DEVELOPING DG80-A-Q



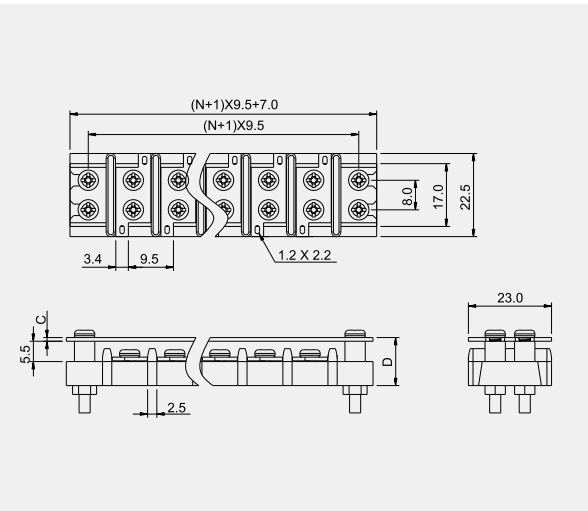
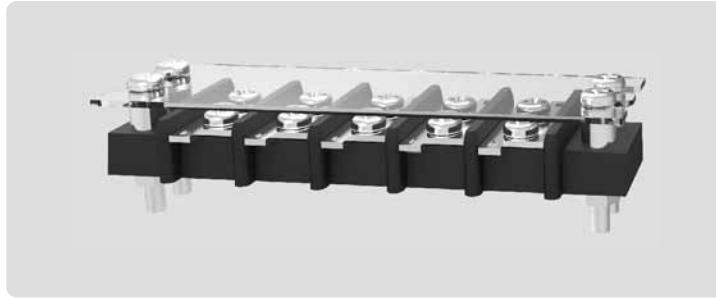
Use group	使用レベル	使用级别	B	C	D
Rated voltage	定格電圧	额定电压	250V	-	-
Rated current	定格電流	额定电流	6A	-	-
Wire range	電線径	导线线径	-	-	-
With standing voltage	耐電圧	耐电压	-	AC1500V/1Min	-
Torque Value	ネジ締付トルク	锁紧扭力	-	0.4N.m (3.5Lb.In)	-
Ambient temperature	环境温度	环境温度	-	-40°C~+105°C	-
Housing	本体	塑件	-	PA66, UL94V-0	-
Terminal	導電板	端子	Copper alloy, 1.0T, Tin Plated	銅合金1.0厚, 錫メッキ	銅合金1.0厚, 鍍錫
Screws	結線ビス	螺丝	Steel, M2.5, Ni Plated	鋼, M2.5, ニッケルメッキ	鋼, M2.5, 鍍錫

DEVELOPING  
**DG95-A-Q**



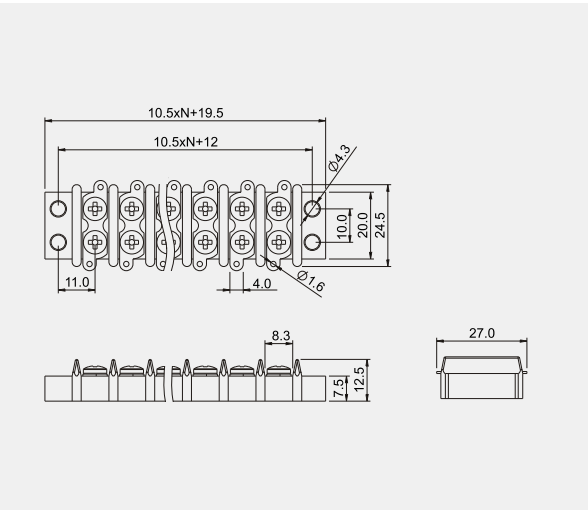
Use group	使用レベル	使用級別	B	C	D
Rated voltage	定格電圧	额定电压	250V	-	-
Rated current	定格電流	额定电流	6A	-	-
Wire range	電線径	导线线径	-	-	-
With standing voltage	耐電圧	耐电压	-	AC1500V/1Min	-
Torque Value	ネジ締付トルク	锁紧扭力	-	0.4N.m (3.5Lb.In)	-
Ambient temperature	环境温度	环境温度	-	-40°C~+105°C	-
Housing	本体	塑件	-	PA66, UL94V-0	-
Terminal	導電板	端子	Copper alloy, 1.0t, Tin Plated	銅合金1.0厚, 錫メッキ	銅合金1.0厚, 鍍錫
Screws	結線ビス	螺丝	Steel, M2.5, Ni Plated	鋼, M2.5, ニッケルメッキ	鋼, M2.5, 鍍錫

DEVELOPING  
**DG95-A-QG**



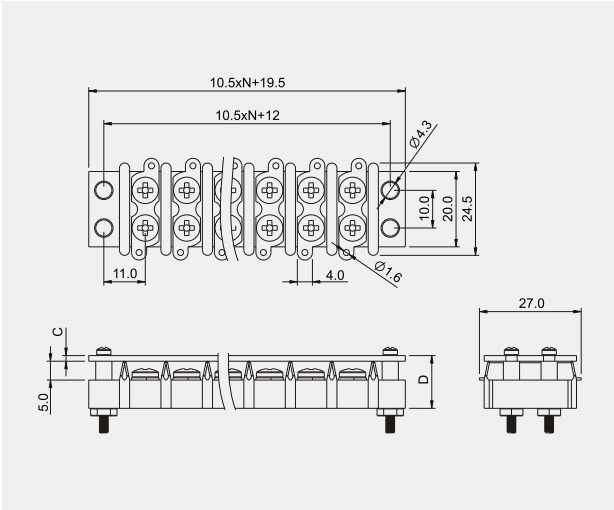
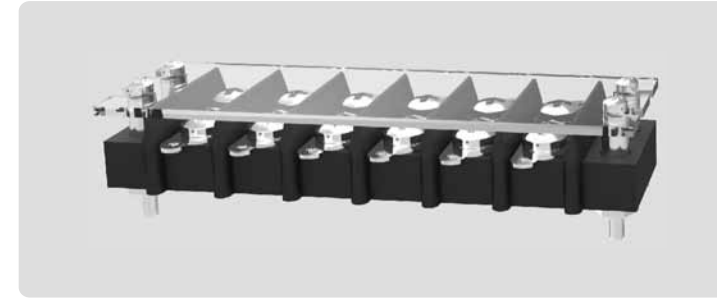
Use group	使用レベル	使用級別	B	C	D
Rated voltage	定格電圧	额定电压	250V	-	-
Rated current	定格電流	额定电流	6A	-	-
Wire range	電線径	导线线径	-	-	-
With standing voltage	耐電圧	耐电压	-	AC1500V/1Min	-
Torque Value	ネジ締付トルク	锁紧扭力	-	0.4N.m (3.5Lb.In)	-
Ambient temperature	环境温度	环境温度	-	-40°C~+105°C	-
Housing	本体	塑件	-	PA66, UL94V-0	-
Terminal	導電板	端子	Copper alloy, 1.0t, Tin Plated	銅合金1.0厚, 錫メッキ	銅合金1.0厚, 鍍錫
Screws	結線ビス	螺丝	Steel, M2.5, Ni Plated	鋼, M2.5, ニッケルメッキ	鋼, M2.5, 鍍錫

DEVELOPING  
**DG105-A-Q**



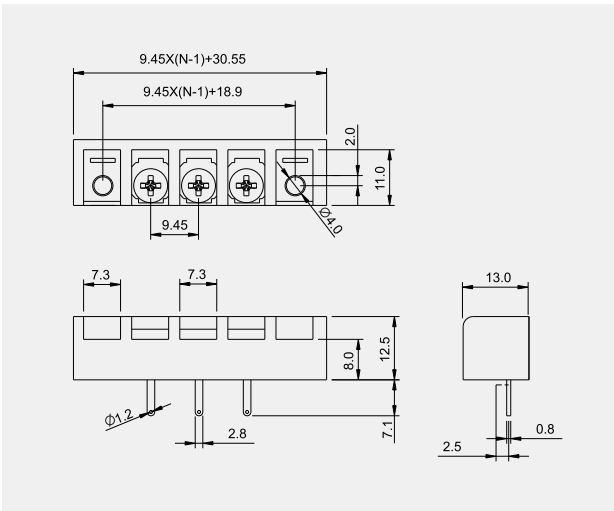
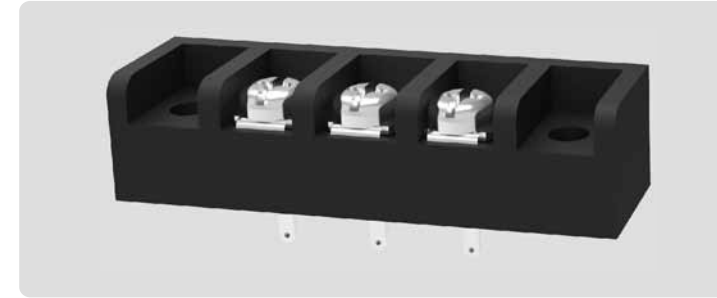
Use group	使用レベル	使用級別	B	C	D
Rated voltage	定格電圧	额定电压	250V	-	-
Rated current	定格電流	额定电流	15A	-	-
Wire range	電線径	导线线径	-	-	-
With standing voltage	耐電圧	耐电压	-	AC1500V/1Min	-
Torque Value	ネジ締付トルク	锁紧扭力	-	0.8N.m (7.0Lb.In)	-
Ambient temperature	环境温度	环境温度	-	-40°C~+105°C	-
Housing	本体	塑件	-	PA66, UL94V-0	-
Terminal	導電板	端子	Copper alloy, 1.5t, Tin Plated	銅合金1.5厚, 錫メッキ	銅合金1.5厚, 鍍錫
Screws	結線ビス	螺丝	Steel, M3.5, Ni Plated	鋼, M3.5, ニッケルメッキ	鋼, M3.5, 鍍錫

DEVELOPING  
**DG105-A-QG**



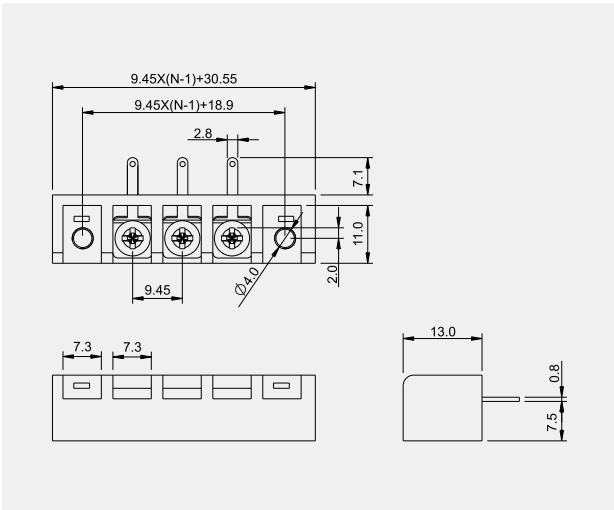
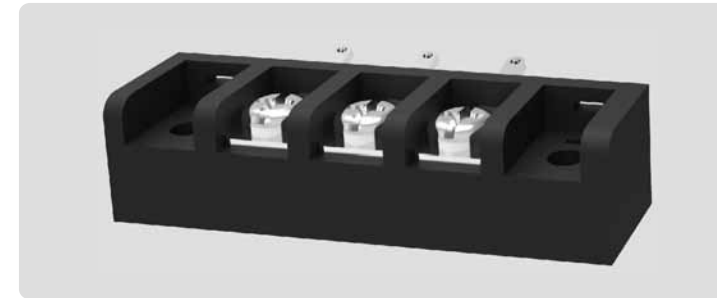
Use group	使用レベル	使用級別	B	C	D
Rated voltage	定格電圧	额定电压	250V	-	-
Rated current	定格電流	额定电流	15A	-	-
Wire range	電線径	导线线径	-	-	-
With standing voltage	耐電圧	耐电压	-	AC1500V/1Min	-
Torque Value	ネジ締付トルク	锁紧扭力	-	0.8N.m (7.0Lb.In)	-
Ambient temperature	环境温度	环境温度	-	-40°C~+105°C	-
Housing	本体	塑件	-	PA66, UL94V-0	-
Terminal	導電板	端子	Copper alloy, 1.5t, Tin Plated	銅合金1.5厚, 錫メッキ	銅合金1.5厚, 鍍錫
Screws	結線ビス	螺丝	Steel, M3.5, Ni Plated	鋼, M3.5, ニッケルメッキ	鋼, M3.5, 鍍錫

DEVELOPING  
**DG945S-A**



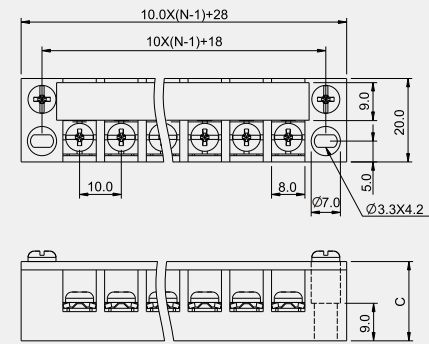
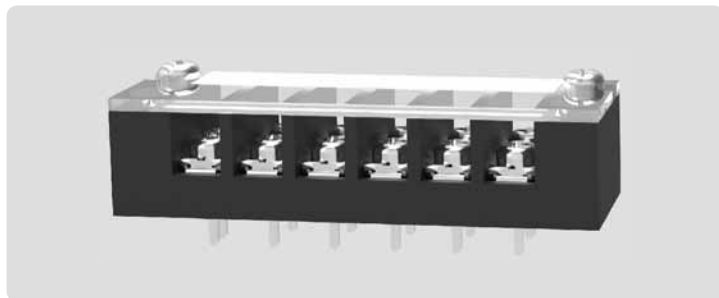
Use group	使用レベル	使用級別	B	C	D
Rated voltage	定格電圧	额定电压	250V	-	-
Rated current	定格電流	额定电流	6A	-	-
Wire range	電線径	导线线径	-	22-18AWG	-
With standing voltage	耐電圧	耐电压	-	AC1500V/1Min	-
Torque Value	ネジ締付トルク	锁紧扭力	-	0.5N.m (4.4Lb.In)	-
Ambient temperature	环境温度	环境温度	-	-40°C~+105°C	-
Housing	本体	塑件	-	PA66, UL94V-0	-
Terminal	導電板	端子	Copper alloy, 0.8t, Tin Plated	銅合金0.8厚, 錫メッキ	銅合金0.8厚, 鍍錫
Screws	結線ビス	螺丝	Steel, M3, Ni Plated	鋼, M3, ニッケルメッキ	鋼, M3, 鍍錫

DEVELOPING  
**DG945R-A**



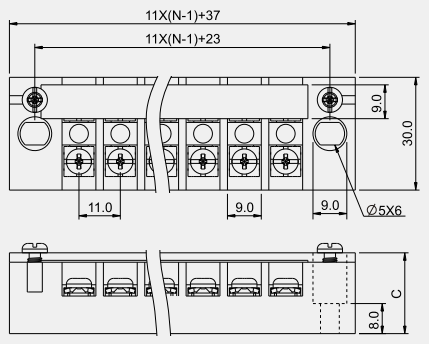
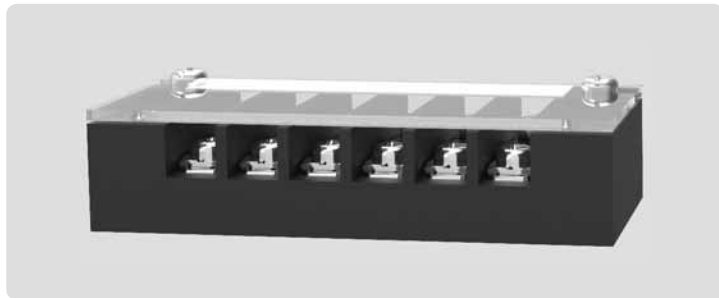
Use group	使用レベル	使用級別	B	C	D
Rated voltage	定格電圧	额定电压	250V	-	-
Rated current	定格電流	额定电流	6A	-	-
Wire range	電線径	导线线径	-	22-18AWG	-
With standing voltage	耐電圧	耐电压	-	AC1500V/1Min	-
Torque Value	ネジ締付トルク	锁紧扭力	-	0.5N.m (4.4Lb.In)	-
Ambient temperature	环境温度	环境温度	-	-40°C~+105°C	-
Housing	本体	塑件	-	PA66, UL94V-0	-
Terminal	導電板	端子	Copper alloy, 0.8t, Tin Plated	銅合金0.8厚, 錫メッキ	銅合金0.8厚, 鍍錫
Screws	結線ビス	螺丝	Steel, M3, Ni Plated	鋼, M3, ニッケルメッキ	鋼, M3, 鍍錫

### DEVELOPING DGB15-E



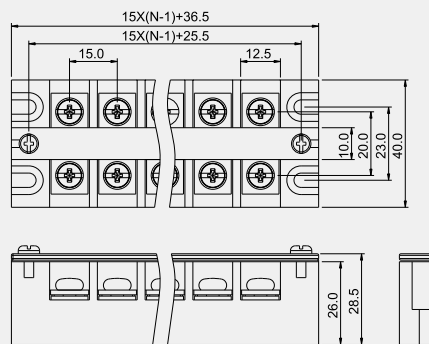
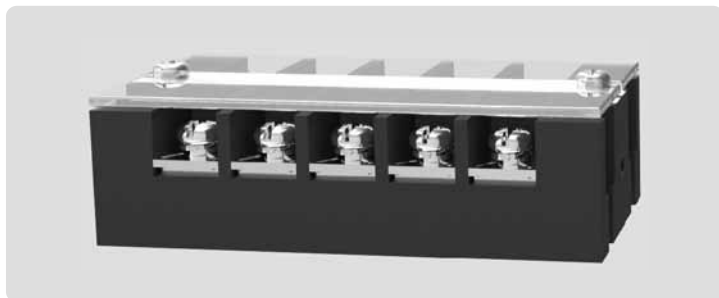
Use group	使用レベル	使用級別	B	C	D
Rated voltage	定格電圧	额定电压	250V	-	-
Rated current	定格電流	额定电流	15A	-	-
Wire range	電線径	导线线径		22-14AWG	
With standing voltage	耐電圧	耐电压		AC1500V/1Min	
Torque Value	ネジ締付トルク	锁紧扭力		0.8N.m (7.0Lb.In)	
Ambient temperature	环境温度	环境温度		-40°C~+105°C	
Housing	本体	塑件		PA66, UL94V-0	
Terminal	導電板	端子	Copper alloy, 0.8t, Tin Plated	銅合金0.8厚, 錫メッキ	銅合金0.8厚, 鍍錫
Screws	結線ビス	螺丝	Steel, M3.5, Ni Plated	鋼, M3.5, ニッケルメッキ	鋼, M3.5, 鍍銀

### DEVELOPING DGB20-A



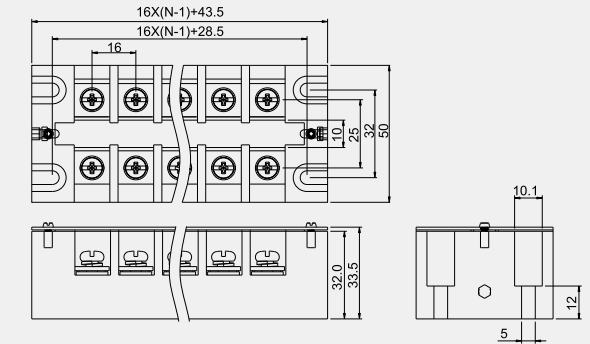
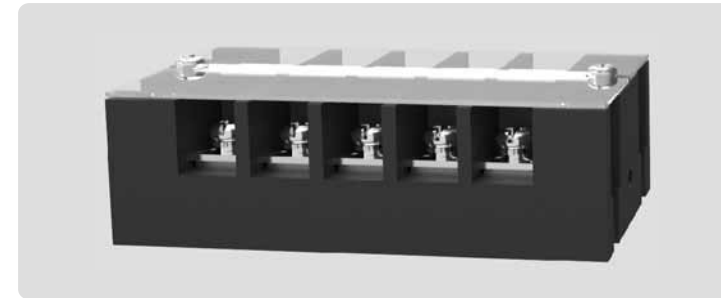
Use group	使用レベル	使用級別	B	C	D
Rated voltage	定格電圧	额定电压	250V	-	-
Rated current	定格電流	额定电流	20A	-	-
Wire range	電線径	导线线径		22-12AWG	
With standing voltage	耐電圧	耐电压		AC1500V/1Min	
Torque Value	ネジ締付トルク	锁紧扭力		1.2N.m (10.5Lb.In)	
Ambient temperature	环境温度	环境温度		-40°C~+105°C	
Housing	本体	塑件		PA66, UL94V-0	
Terminal	導電板	端子	Copper alloy, 0.8t, Tin Plated	銅合金0.8厚, 錫メッキ	銅合金0.8厚, 鍍錫
Screws	結線ビス	螺丝	Steel, M4, Ni Plated	鋼, M4, ニッケルメッキ	鋼, M4, 鍍銀

### DEVELOPING DGB30-A



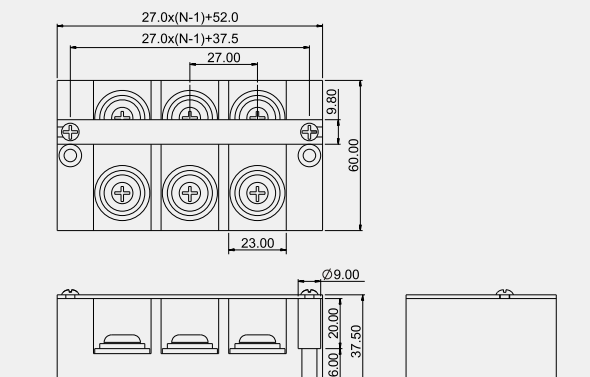
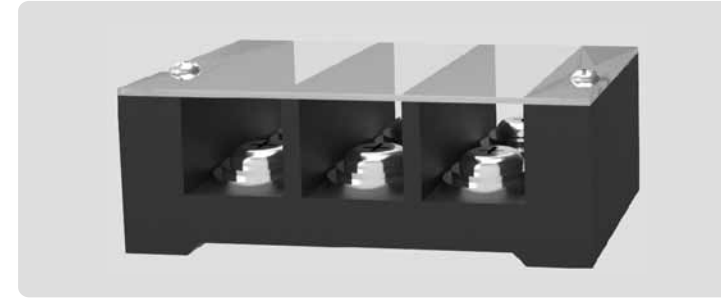
Use group	使用レベル	使用級別	B	C	D
Rated voltage	定格電圧	额定电压	250V	-	-
Rated current	定格電流	额定电流	30A	-	-
Wire range	電線径	导线线径		22-10AWG	
With standing voltage	耐電圧	耐电压		AC1500V/1Min	
Torque Value	ネジ締付トルク	锁紧扭力		2.0N.m (17.5Lb.In)	
Ambient temperature	环境温度	环境温度		-40°C~+105°C	
Housing	本体	塑件		PA66, UL94V-0	
Terminal	導電板	端子	Copper alloy, 0.8t, Tin Plated	銅合金0.8厚, 錫メッキ	銅合金0.8厚, 鍍錫
Screws	結線ビス	螺丝	Steel, M5, Ni Plated	鋼, M5, ニッケルメッキ	鋼, M5, 鍍銀

### DEVELOPING DGB50-A



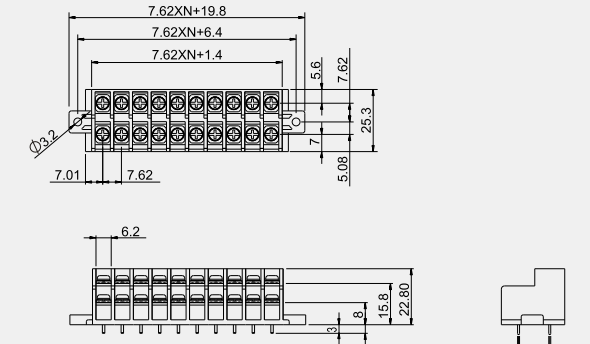
Use group	使用レベル	使用級別	B	C	D
Rated voltage	定格電圧	额定电压	500V	-	-
Rated current	定格電流	额定电流	50A	-	-
Wire range	電線径	导线线径		22-8AWG	
With standing voltage	耐電圧	耐电压		AC2000V/1Min	
Torque Value	ネジ締付トルク	锁紧扭力		2.5N.m (22.1Lb.In)	
Ambient temperature	环境温度	环境温度		-40°C~+105°C	
Housing	本体	塑件		PA66, UL94V-0	
Terminal	導電板	端子	Copper alloy, 1.0t, Tin Plated	銅合金1.0厚, 錫メッキ	銅合金1.0厚, 鍍錫
Screws	結線ビス	螺丝	Steel, M6, Ni Plated	鋼, M6, ニッケルメッキ	鋼, M6, 鍍銀

### DEVELOPING DGB100A



Use group	使用レベル	使用級別	B	C	D
Rated voltage	定格電圧	额定电压	500V	-	-
Rated current	定格電流	额定电流	100A	-	-
Wire range	電線径	导线线径		22-3AWG	
With standing voltage	耐電圧	耐电压		AC2000V/1Min	
Torque Value	ネジ締付トルク	锁紧扭力		3.5N.m (31.0Lb.In)	
Ambient temperature	环境温度	环境温度		-40°C~+105°C	
Housing	本体	塑件		PA66, UL94V-0	
Terminal	導電板	端子	Copper alloy, 2.0t, Tin Plated	銅合金2.0厚, 錫メッキ	銅合金2.0厚, 鍍錫
Screws	結線ビス	螺丝	Steel, M8, Ni Plated	鋼, M8, ニッケルメッキ	鋼, M8, 鍍銀

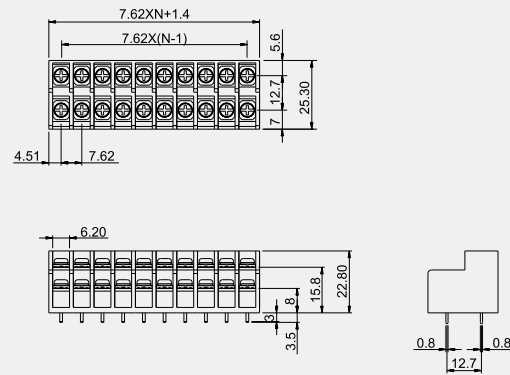
### DEVELOPING DG40-2-A



Use group	使用レベル	使用級別	B	C	D
Rated voltage	定格電圧	额定电压	250V	-	-
Rated current	定格電流	额定电流	10A	-	-
Wire range	電線径	导线线径		22-16AWG	
With standing voltage	耐電圧	耐电压		AC1500V/1Min	
Torque Value	ネジ締付トルク	锁紧扭力		0.5N.m (4.4Lb.In)	
Ambient temperature	环境温度	环境温度		-40°C~+105°C	
Housing	本体	塑件		PA66, UL94V-0	
Terminal	導電板	端子	Copper alloy, 0.8t, Tin Plated	銅合金0.8厚, 錫メッキ	銅合金0.8厚, 鍍錫
Screws	結線ビス	螺丝	Steel, M3, Ni Plated	鋼, M3, ニッケルメッキ	鋼, M3, 鍍銀

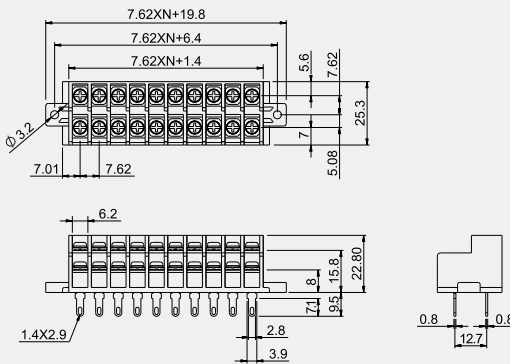
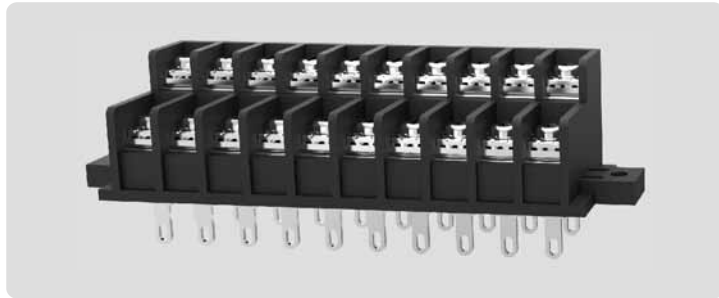


### DEVELOPING DG40-2-B



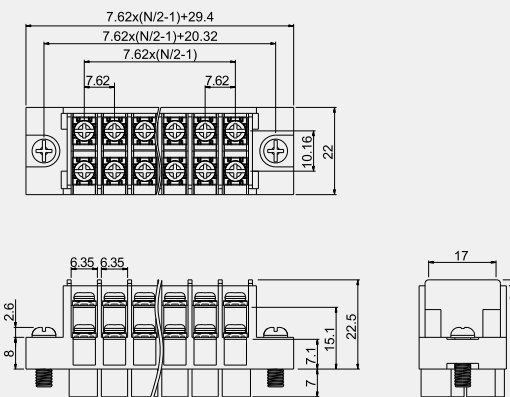
Use group	使用レベル	使用級別	B	C	D
Rated voltage	定格電圧	额定电压	250V	-	-
Rated current	定格電流	额定电流	10A	-	-
Wire range	電線径	导线线径	-	22-16AWG	-
With standing voltage	耐電圧	耐电压	-	AC1500V/1Min	-
Torque Value	ネジ締付トルク	锁紧扭力	-	0.5N.m (4.4Lb.In)	-
Ambient temperature	环境温度	环境温度	-	-40°C~+105°C	-
Housing	本体	塑件	-	PA66, UL94V-0	-
Terminal	導電板	端子	Copper alloy, 0.8t, Tin Plated	銅合金0.8厚, 錫メッキ	銅合金0.8厚, 鍍錫
Screws	結線ビス	螺丝	Steel, M3, Ni Plated	鋼, M3, ニッケルメッキ	鋼, M3, 鍍錫

### DEVELOPING DG40H-2-A



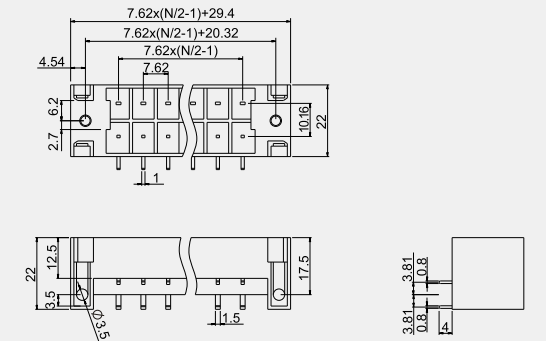
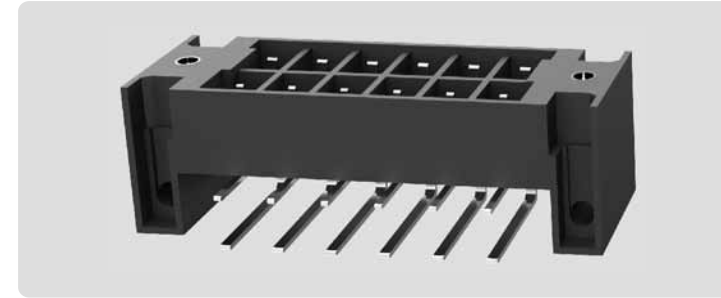
Use group	使用レベル	使用級別	B	C	D
Rated voltage	定格電圧	额定电压	250V	-	-
Rated current	定格電流	额定电流	10A	-	-
Wire range	電線径	导线线径	-	22-16AWG	-
With standing voltage	耐電圧	耐电压	-	AC1500V/1Min	-
Torque Value	ネジ締付トルク	锁紧扭力	-	0.5N.m (4.4Lb.In)	-
Ambient temperature	环境温度	环境温度	-	-40°C~+105°C	-
Housing	本体	塑件	-	PA66, UL94V-0	-
Terminal	導電板	端子	Copper alloy, 0.8t, Tin Plated	銅合金0.8厚, 錫メッキ	銅合金0.8厚, 鍍錫
Screws	結線ビス	螺丝	Steel, M3, Ni Plated	鋼, M3, ニッケルメッキ	鋼, M3, 鍍錫

### DEVELOPING DG762K-2-A



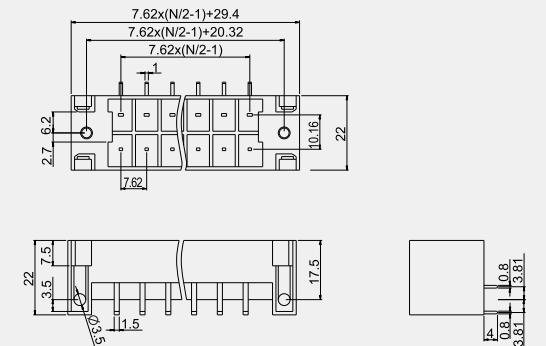
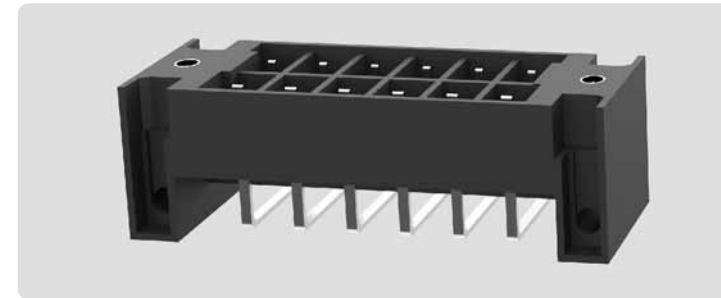
Use group	使用レベル	使用級別	B	C	D
Rated voltage	定格電圧	额定电压	250V	-	-
Rated current	定格電流	额定电流	7A	-	-
Wire range	電線径	导线线径	-	22-14AWG	-
With standing voltage	耐電圧	耐电压	-	AC1500V/1Min	-
Torque Value	ネジ締付トルク	锁紧扭力	-	0.5N.m (4.4Lb.In)	-
Ambient temperature	环境温度	环境温度	-	-40°C~+105°C	-
Housing	本体	塑件	-	PA66, UL94V-0	-
Terminal	導電板	端子	Copper alloy, 0.8t, Tin Plated	銅合金0.8厚, 錫メッキ	銅合金0.8厚, 鍍錫
Screws	結線ビス	螺丝	Steel, M3, Ni Plated	鋼, M3, ニッケルメッキ	鋼, M3, 鍍錫

### DEVELOPING DG762RF-2-A



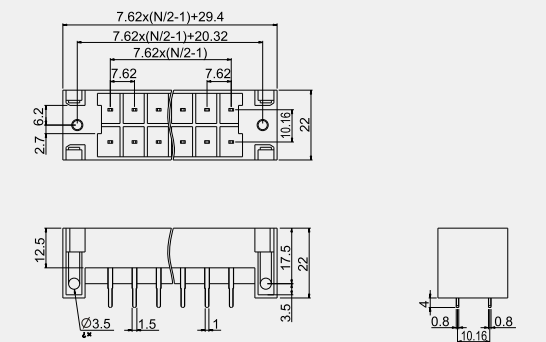
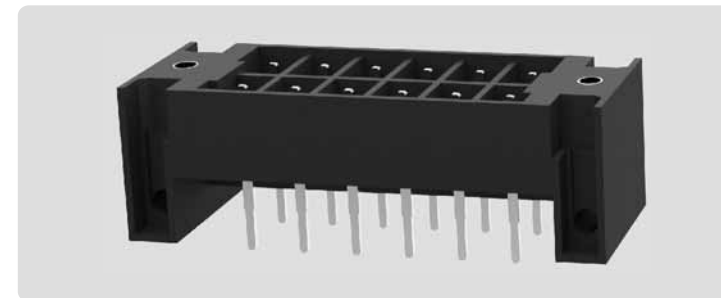
Use group	使用レベル	使用級別	B	C	D
Rated voltage	定格電圧	额定电压	250V	-	-
Rated current	定格電流	额定电流	7A	-	-
Wire range	電線径	导线线径	-	-	-
With standing voltage	耐電圧	耐电压	-	AC2000V/1Min	-
Torque Value	ネジ締付トルク	锁紧扭力	-	-	-
Ambient temperature	环境温度	环境温度	-	-40°C~+105°C	-
Housing	本体	塑件	-	PA66, UL94V-0	-
Terminal	導電板	端子	Copper alloy, 0.8t, Tin Plated	銅合金0.8厚, 錫メッキ	銅合金0.8厚, 鍍錫
Screws	結線ビス	螺丝	-	-	-

### DEVELOPING DG762LF-2-A



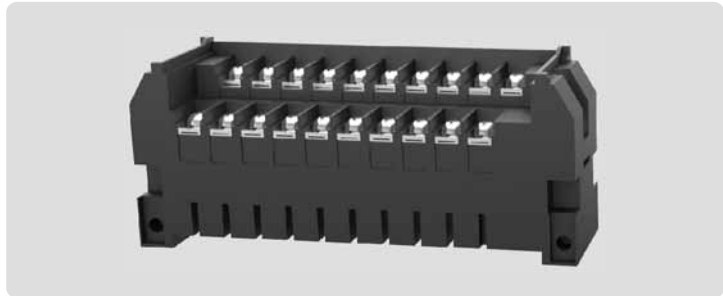
Use group	使用レベル	使用級別	B	C	D
Rated voltage	定格電圧	额定电压	250V	-	-
Rated current	定格電流	额定电流	7A	-	-
Wire range	電線径	导线线径	-	-	-
With standing voltage	耐電圧	耐电压	-	AC2000V/1Min	-
Torque Value	ネジ締付トルク	锁紧扭力	-	-	-
Ambient temperature	环境温度	环境温度	-	-40°C~+105°C	-
Housing	本体	塑件	-	PA66, UL94V-0	-
Terminal	導電板	端子	Copper alloy, 0.8t, Tin Plated	銅合金0.8厚, 錫メッキ	銅合金0.8厚, 鍍錫
Screws	結線ビス	螺丝	-	-	-

### DEVELOPING DG762VF-2-A

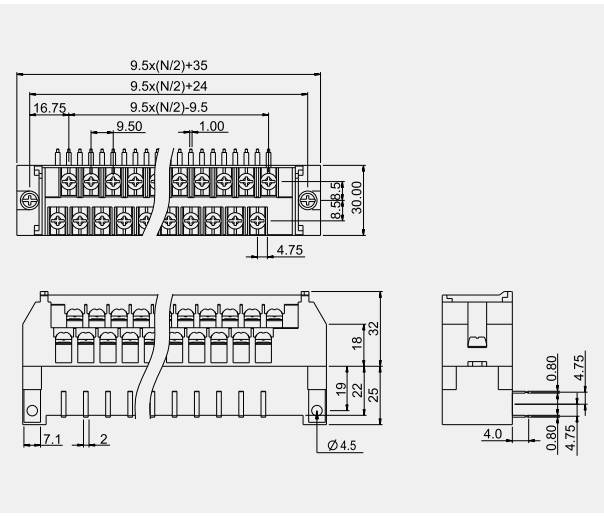


Use group	使用レベル	使用級別	B	C	D
Rated voltage	定格電圧	额定电压	250V	-	-
Rated current	定格電流	额定电流	7A	-	-
Wire range	電線径	导线线径	-	-	-
With standing voltage	耐電圧	耐电压	-	AC2000V/1Min	-
Torque Value	ネジ締付トルク	锁紧扭力	-	-	-
Ambient temperature	环境温度	环境温度	-	-40°C~+105°C	-
Housing	本体	塑件	-	PA66, UL94V-0	-
Terminal	導電板	端子	Copper alloy, 0.8t, Tin Plated	銅合金0.8厚, 錫メッキ	銅合金0.8厚, 鍍錫
Screws	結線ビス	螺丝	-	-	-

### DEVELOPING DG950R-2-BF



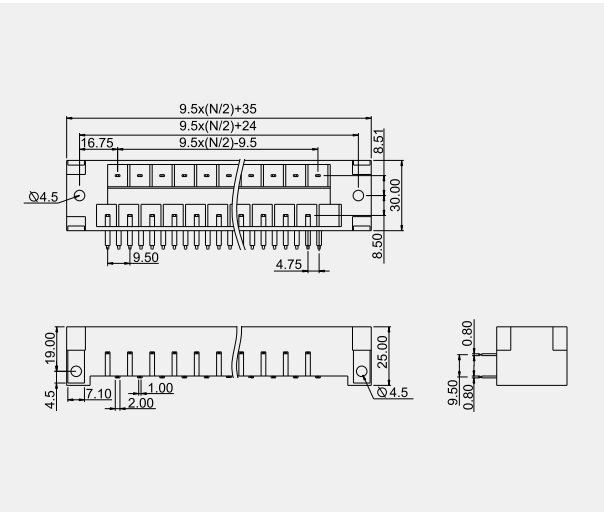
Use group	使用レベル	使用級別	B	C	D
Rated voltage	定格電圧	额定电压	250V	-	-
Rated current	定格電流	额定电流	10A	-	-
Wire range	電線径	导线线径	-	22-12AWG	-
With standing voltage	耐電圧	耐电压	-	AC1500V/1Min	-
Torque Value	ネジ締付トルク	锁紧扭力	-	0.8N.m (7.0Lb.In)	-
Ambient temperature	环境温度	环境温度	-40°C	~+105°C	-
Housing	本体	塑件	PA66, UL94V-0		
Terminal	導電板	端子	Copper alloy, 0.8t, Tin Plated	銅合金0.8厚, 錫メッキ	銅合金, 0.8厚, 鍍錫
Screws	結線ビス	螺丝	Steel, M3.5, Ni Plated	鋼, M3.5, ニッケルメッキ	鋼, M3.5, 鍍錫



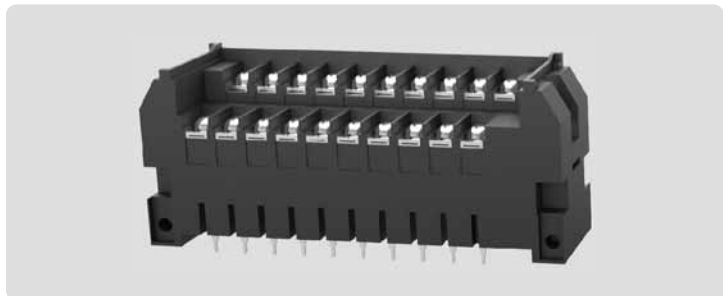
### DEVELOPING DG950RF-2-A



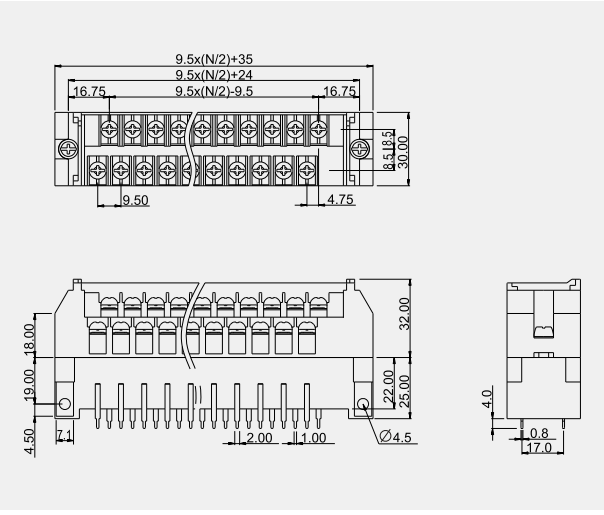
Use group	使用レベル	使用級別	B	C	D
Rated voltage	定格電圧	额定电压	250V	-	-
Rated current	定格電流	额定电流	10A	-	-
Wire range	電線径	导线线径	-	-	-
With standing voltage	耐電圧	耐电压	-	AC1500V/1Min	-
Torque Value	ネジ締付トルク	锁紧扭力	-	-	-
Ambient temperature	环境温度	环境温度	-40°C	~+105°C	-
Housing	本体	塑件	PA66, UL94V-0		
Terminal	導電板	端子	Copper alloy, 0.8t, Tin Plated	銅合金0.8厚, 錫メッキ	銅合金, 0.8厚, 鍍錫
Screws	結線ビス	螺丝	-	-	-



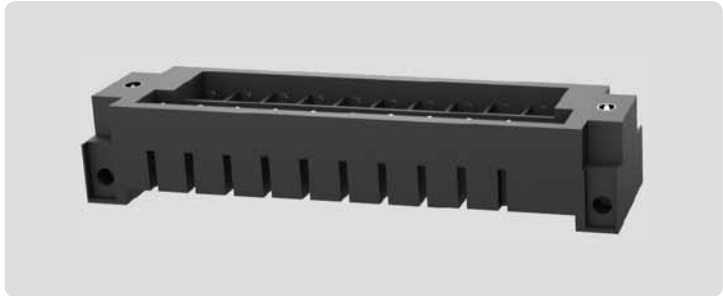
### DEVELOPING DG950V-2-VF



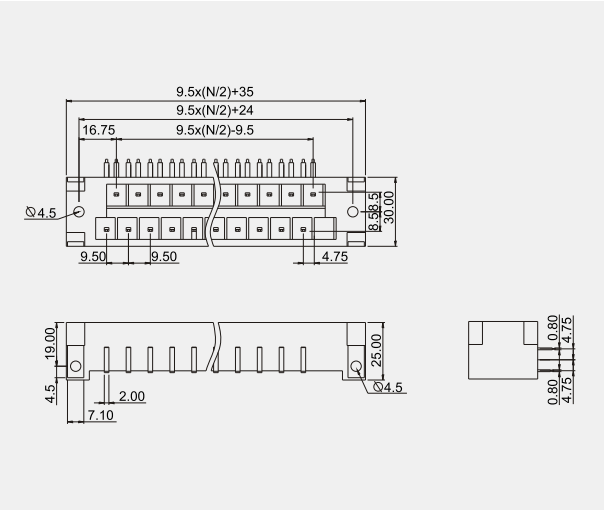
Use group	使用レベル	使用級別	B	C	D
Rated voltage	定格電圧	额定电压	250V	-	-
Rated current	定格電流	额定电流	10A	-	-
Wire range	電線径	导线线径	-	22-12AWG	-
With standing voltage	耐電圧	耐电压	-	AC1500V/1Min	-
Torque Value	ネジ締付トルク	锁紧扭力	-	0.8N.m (7.0Lb.In)	-
Ambient temperature	环境温度	环境温度	-40°C	~+105°C	-
Housing	本体	塑件	PA66, UL94V-0		
Terminal	導電板	端子	Copper alloy, 0.8t, Tin Plated	銅合金0.8厚, 錫メッキ	銅合金, 0.8厚, 鍍錫
Screws	結線ビス	螺丝	Steel, M3.5, Ni Plated	鋼, M3.5, ニッケルメッキ	鋼, M3.5, 鍍錫



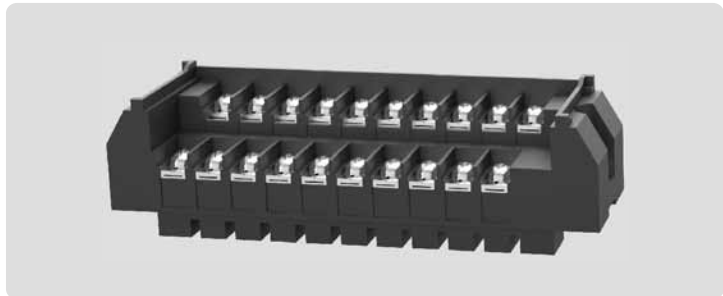
### DEVELOPING DG950LF-2-A



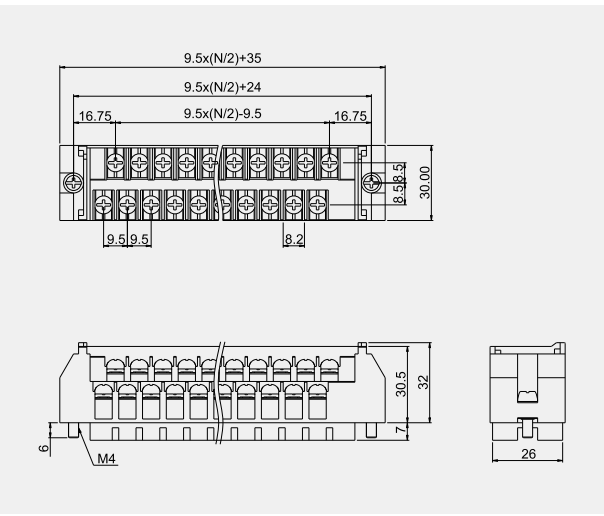
Use group	使用レベル	使用級別	B	C	D
Rated voltage	定格電圧	额定电压	250V	-	-
Rated current	定格電流	额定电流	10A	-	-
Wire range	電線径	导线线径	-	-	-
With standing voltage	耐電圧	耐电压	-	AC1500V/1Min	-
Torque Value	ネジ締付トルク	锁紧扭力	-	-	-
Ambient temperature	环境温度	环境温度	-40°C	~+105°C	-
Housing	本体	塑件	PA66, UL94V-0		
Terminal	導電板	端子	Copper alloy, 0.8t, Tin Plated	銅合金0.8厚, 錫メッキ	銅合金, 0.8厚, 鍍錫
Screws	結線ビス	螺丝	-	-	-



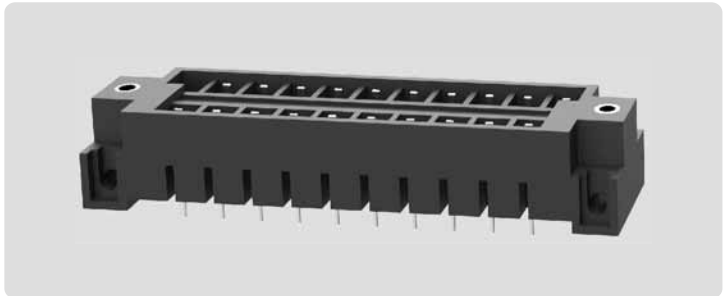
### DEVELOPING DG950K-2-A



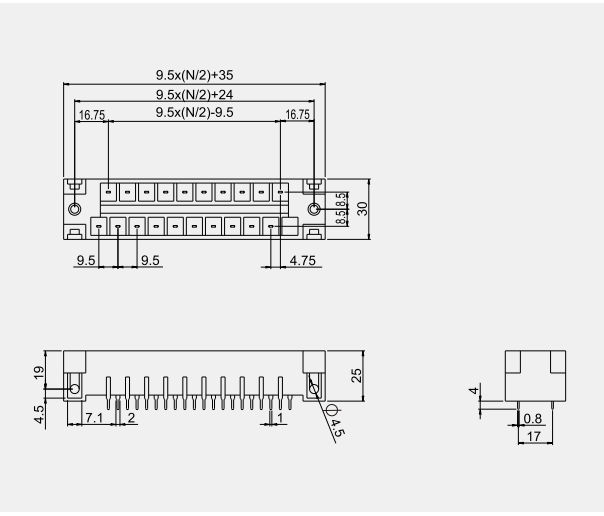
Use group	使用レベル	使用級別	B	C	D
Rated voltage	定格電圧	额定电压	250V	-	-
Rated current	定格電流	额定电流	10A	-	-
Wire range	電線径	导线线径	-	22-12AWG	-
With standing voltage	耐電圧	耐电压	-	AC1500V/1Min	-
Torque Value	ネジ締付トルク	锁紧扭力	-	0.8N.m (7.0Lb.In)	-
Ambient temperature	环境温度	环境温度	-40°C	~+105°C	-
Housing	本体	塑件	PA66, UL94V-0		
Terminal	導電板	端子	Copper alloy, 0.8t, Tin Plated	銅合金0.8厚, 錫メッキ	銅合金, 0.8厚, 鍍錫
Screws	結線ビス	螺丝	Steel, M3.5, Ni Plated	鋼, M3.5, ニッケルメッキ	鋼, M3.5, 鍍錫



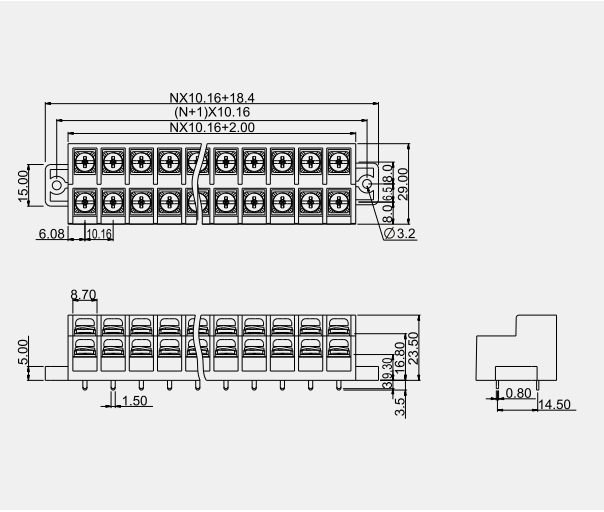
### DEVELOPING DG950VF-2-A



Use group	使用レベル	使用級別	B	C	D
Rated voltage	定格電圧	额定电压	250V	-	-
Rated current	定格電流	额定电流	10A	-	-
Wire range	電線径	导线线径	-	-	-
With standing voltage	耐電圧	耐电压	-	AC1500V/1Min	-
Torque Value	ネジ締付トルク	锁紧扭力	-	-	-
Ambient temperature	环境温度	环境温度	-40°C	~+105°C	-
Housing	本体	塑件	PA66, UL94V-0		
Terminal	導電板	端子	Copper alloy, 0.8t, Tin Plated	銅合金0.8厚, 錫メッキ	銅合金, 0.8厚, 鍍錫
Screws	結線ビス	螺丝	-	-	-

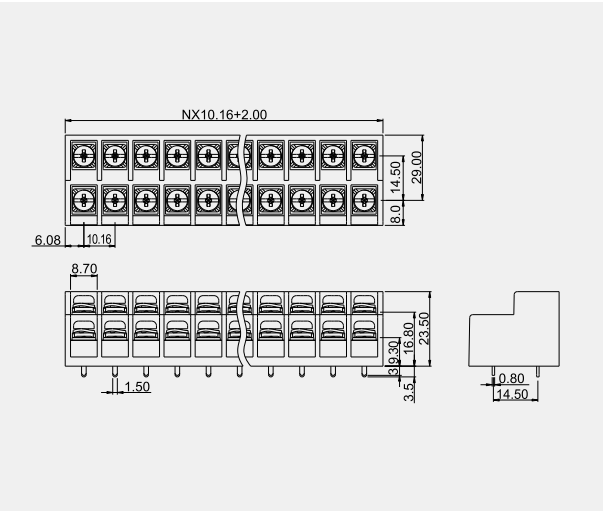


DEVELOPING  
**DG50-2-A**



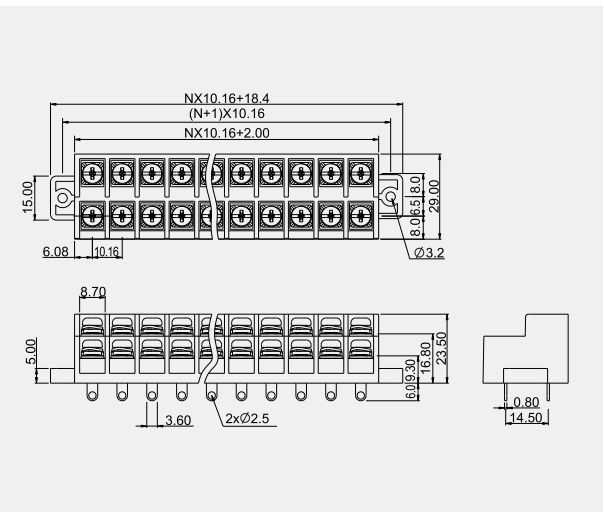
Use group	使用レベル	使用级别	B	C	D
Rated voltage	定格電圧	额定电压	250V	-	-
Rated current	定格電流	额定电流	15A	-	-
Wire range	電線径	导线线径		22-14AWG	
With standing voltage	耐電圧	耐电压		AC1500V/1Min	
Torque Value	ネジ締付トルク	锁紧扭力		1.2N.m (10.5Lb.In)	
Ambient temperature	环境温度	环境温度		-40°C~+105°C	
Housing	本体	塑件		PA66, UL94V-0	
Terminal	導電板	端子	Copper alloy, 0.8t, Tin Plated	銅合金0.8厚, 錫メッキ	銅合金0.8厚, 鍍錫
Screws	結線ビス	螺丝	Steel, M4, Ni Plated	鋼, M4, ニッケルメッキ	鋼, M4, 鍍錫

DEVELOPING  
**DG50-2-B**



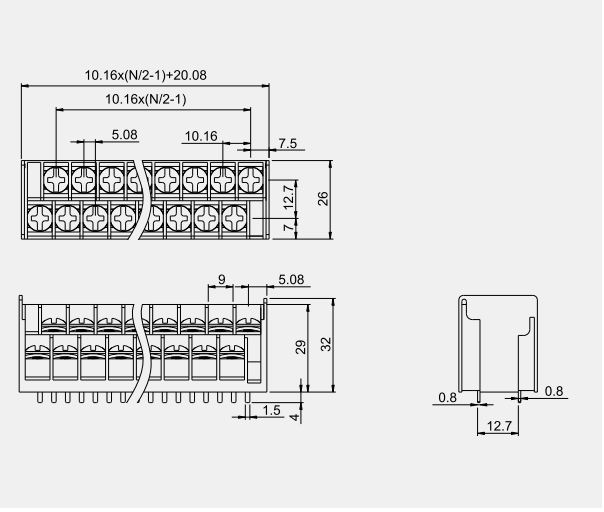
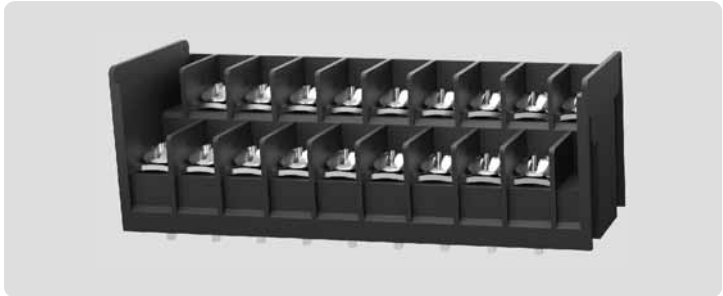
Use group	使用レベル	使用级别	B	C	D
Rated voltage	定格電圧	额定电压	250V	-	-
Rated current	定格電流	额定电流	15A	-	-
Wire range	電線径	导线线径		22-14AWG	
With standing voltage	耐電圧	耐电压		AC1500V/1Min	
Torque Value	ネジ締付トルク	锁紧扭力		1.2N.m (10.5Lb.In)	
Ambient temperature	环境温度	环境温度		-40°C~+105°C	
Housing	本体	塑件		PA66, UL94V-0	
Terminal	導電板	端子	Copper alloy, 0.8t, Tin Plated	銅合金0.8厚, 錫メッキ	銅合金0.8厚, 鍍錫
Screws	結線ビス	螺丝	Steel, M4, Ni Plated	鋼, M4, ニッケルメッキ	鋼, M4, 鍍錫

DEVELOPING  
**DG50H-2-A**



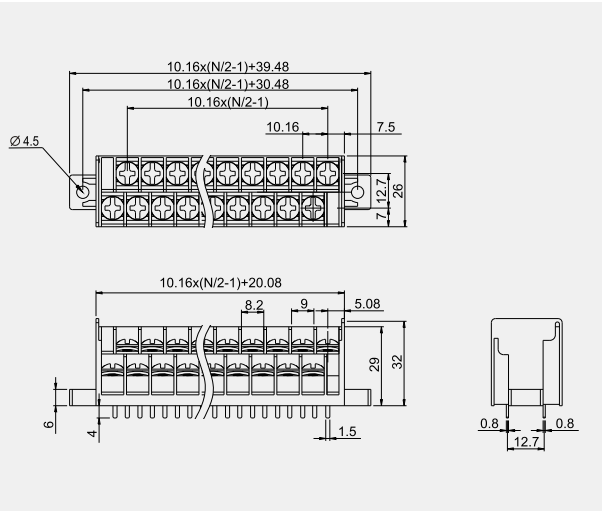
Use group	使用レベル	使用级别	B	C	D
Rated voltage	定格電圧	额定电压	250V	-	-
Rated current	定格電流	额定电流	15A	-	-
Wire range	電線径	导线线径		22-14AWG	
With standing voltage	耐電圧	耐电压		AC1500V/1Min	
Torque Value	ネジ締付トルク	锁紧扭力		1.2N.m (10.5Lb.In)	
Ambient temperature	环境温度	环境温度		-40°C~+105°C	
Housing	本体	塑件		PA66, UL94V-0	
Terminal	導電板	端子	Copper alloy, 0.8t, Tin Plated	銅合金0.8厚, 錫メッキ	銅合金0.8厚, 鍍錫
Screws	結線ビス	螺丝	Steel, M4, Ni Plated	鋼, M4, ニッケルメッキ	鋼, M4, 鍍錫

DEVELOPING  
**DG1016-2-B**



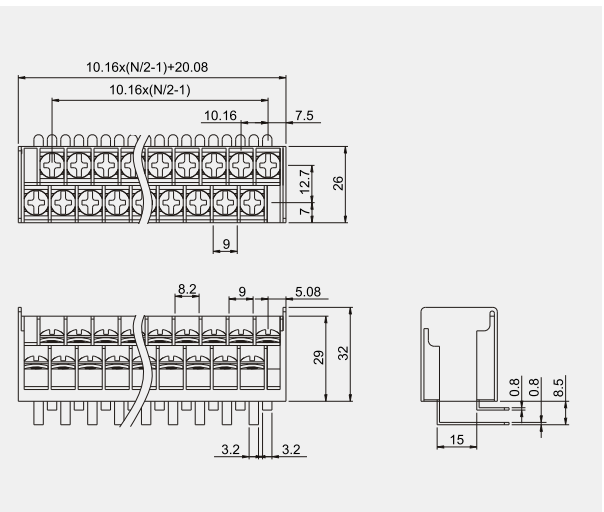
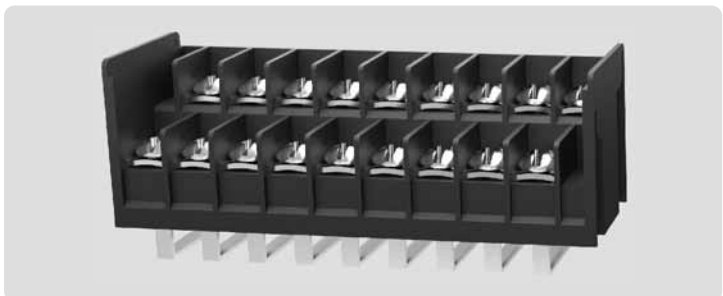
Use group	使用レベル	使用级别	B	C	D
Rated voltage	定格電圧	额定电压	250V	-	-
Rated current	定格電流	额定电流	15A	-	-
Wire range	電線径	导线线径		22-14AWG	
With standing voltage	耐電圧	耐电压		AC1500V/1Min	
Torque Value	ネジ締付トルク	锁紧扭力		0.8N.m (7.0Lb.In)	
Ambient temperature	环境温度	环境温度		-40°C~+105°C	
Housing	本体	塑件		PA66, UL94V-0	
Terminal	導電板	端子	Copper alloy, 0.8t, Tin Plated	銅合金0.8厚, 錫メッキ	銅合金0.8厚, 鍍錫
Screws	結線ビス	螺丝	Steel, M3.5, Ni Plated	鋼, M3.5, ニッケルメッキ	鋼, M3.5, 鍍錫

DEVELOPING  
**DG1016-2-A**



Use group	使用レベル	使用级别	B	C	D
Rated voltage	定格電圧	额定电压	250V	-	-
Rated current	定格電流	额定电流	15A	-	-
Wire range	電線径	导线线径		22-14AWG	
With standing voltage	耐電圧	耐电压		AC1500V/1Min	
Torque Value	ネジ締付トルク	锁紧扭力		0.8N.m (7.0Lb.In)	
Ambient temperature	环境温度	环境温度		-40°C~+105°C	
Housing	本体	塑件		PA66, UL94V-0	
Terminal	導電板	端子	Copper alloy, 0.8t, Tin Plated	銅合金0.8厚, 錫メッキ	銅合金0.8厚, 鍍錫
Screws	結線ビス	螺丝	Steel, M3.5, Ni Plated	鋼, M3.5, ニッケルメッキ	鋼, M3.5, 鍍錫

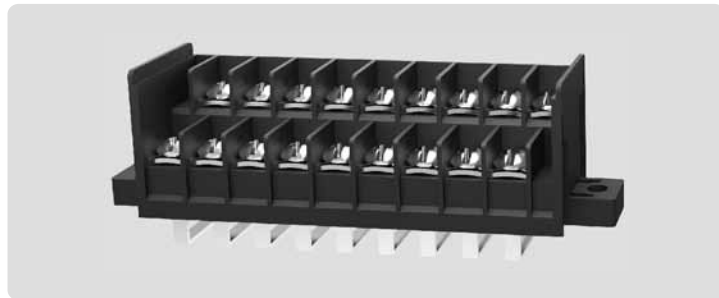
DEVELOPING  
**DG1016R-B**



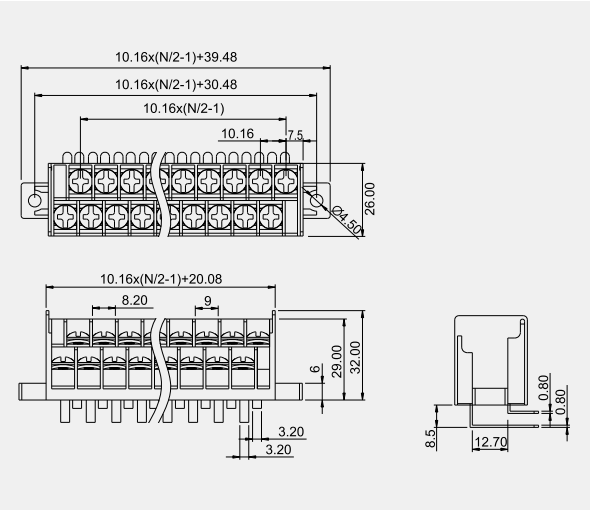
Use group	使用レベル	使用级别	B	C	D
Rated voltage	定格電圧	额定电压	250V	-	-
Rated current	定格電流	额定电流	15A	-	-
Wire range	電線径	导线线径		22-14AWG	
With standing voltage	耐電圧	耐电压		AC1500V/1Min	
Torque Value	ネジ締付トルク	锁紧扭力		0.8N.m (7.0Lb.In)	
Ambient temperature	环境温度	环境温度		-40°C~+105°C	
Housing	本体	塑件		PA66, UL94V-0	
Terminal	導電板	端子	Copper alloy, 0.8t, Tin Plated	銅合金0.8厚, 錫メッキ	銅合金0.8厚, 鍍錫
Screws	結線ビス	螺丝	Steel, M3.5, Ni Plated	鋼, M3.5, ニッケルメッキ	鋼, M3.5, 鍍錫



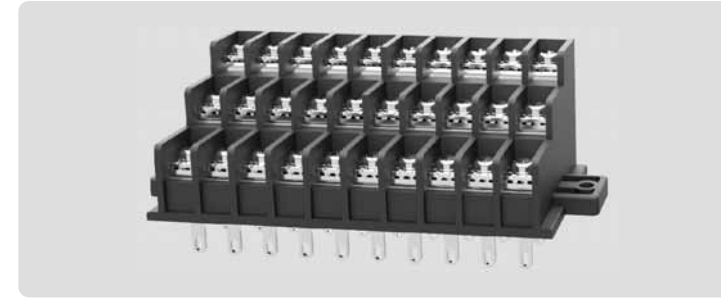
### DEVELOPING DG1016R-2-A



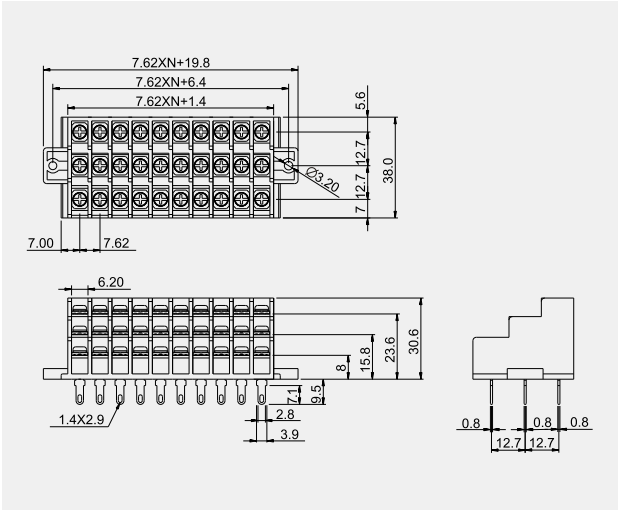
Use group	使用レベル	使用級別	B	C	D
Rated voltage	定格電圧	额定电压	250V	-	-
Rated current	定格電流	额定电流	15A	-	-
Wire range	電線径	导线线径		22-14AWG	
With standing voltage	耐電圧	耐电压		AC1500V/1Min	
Torque Value	ネジ締付トルク	锁紧扭力		0.8N.m (7.0Lb.In)	
Ambient temperature	环境温度	环境温度		-40°C~+105°C	
Housing	本体	塑件		PA66, UL94V-0	
Terminal	導電板	端子	Copper alloy, 0.8L Tin Plated	銅合金0.8厚, 錫メッキ	銅合金0.8厚, 鍍錫
Screws	結線ビス	螺丝	Steel, M3.5, Ni Plated	鋼, M3.5, ニッケルメッキ	鋼, M3.5, 鍍錫



### DEVELOPING DG40H-3-A



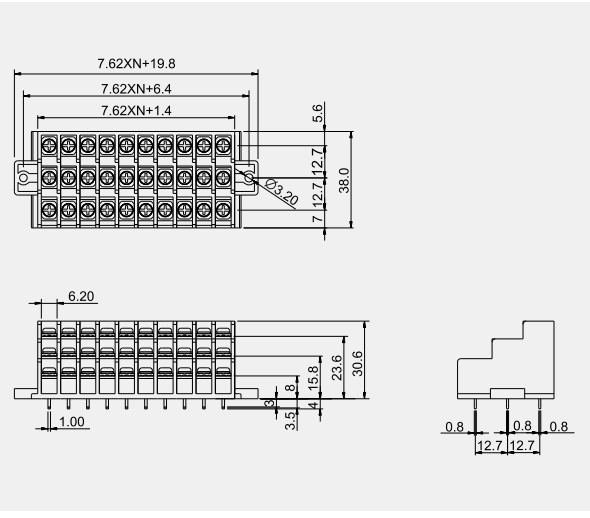
Use group	使用レベル	使用級別	B	C	D
Rated voltage	定格電圧	额定电压	250V	-	-
Rated current	定格電流	额定电流	10A	-	-
Wire range	電線径	导线线径		22-14AWG	
With standing voltage	耐電圧	耐电压		AC1500V/1Min	
Torque Value	ネジ締付トルク	锁紧扭力		0.5N.m (4.4Lb.In)	
Ambient temperature	环境温度	环境温度		-40°C~+105°C	
Housing	本体	塑件		PA66, UL94V-0	
Terminal	導電板	端子	Copper alloy, 0.8L Tin Plated	銅合金0.8厚, 錫メッキ	銅合金0.8厚, 鍍錫
Screws	結線ビス	螺丝	Steel, M3, Ni Plated	鋼, M3, ニッケルメッキ	鋼, M3, 鍍錫



### DEVELOPING DG40-3-A



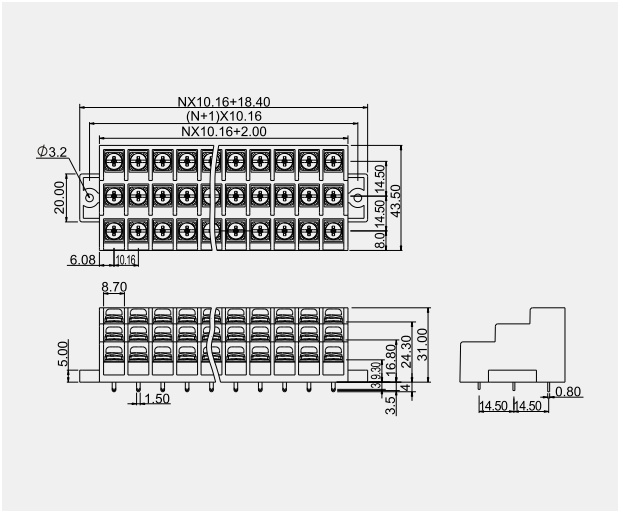
Use group	使用レベル	使用級別	B	C	D
Rated voltage	定格電圧	额定电压	250V	-	-
Rated current	定格電流	额定电流	10A	-	-
Wire range	電線径	导线线径		22-16AWG	
With standing voltage	耐電圧	耐电压		AC1500V/1Min	
Torque Value	ネジ締付トルク	锁紧扭力		0.5N.m (4.4Lb.In)	
Ambient temperature	环境温度	环境温度		-40°C~+105°C	
Housing	本体	塑件		PA66, UL94V-0	
Terminal	導電板	端子	Copper alloy, 0.8L Tin Plated	銅合金0.8厚, 錫メッキ	銅合金0.8厚, 鍍錫
Screws	結線ビス	螺丝	Steel, M3, Ni Plated	鋼, M3, ニッケルメッキ	鋼, M3, 鍍錫



### DEVELOPING DG50-3-A



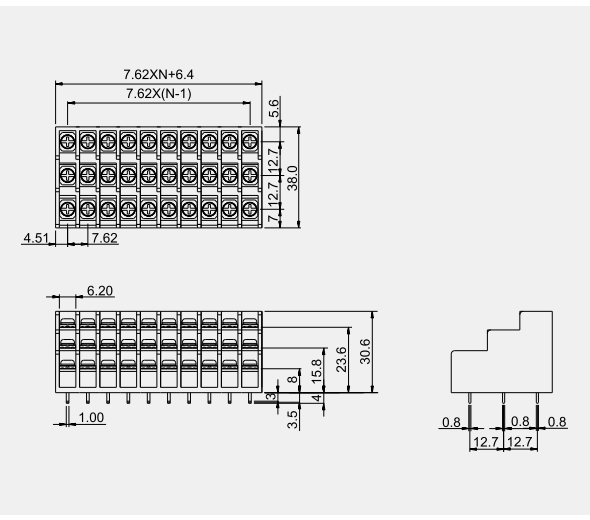
Use group	使用レベル	使用級別	B	C	D
Rated voltage	定格電圧	额定电压	250V	-	-
Rated current	定格電流	额定电流	15A	-	-
Wire range	電線径	导线线径		22-14AWG	
With standing voltage	耐電圧	耐电压		AC1500V/1Min	
Torque Value	ネジ締付トルク	锁紧扭力		1.2N.m (10.5Lb.In)	
Ambient temperature	环境温度	环境温度		-40°C~+105°C	
Housing	本体	塑件		PA66, UL94V-0	
Terminal	導電板	端子	Copper alloy, 0.8L Tin Plated	銅合金0.8厚, 錫メッキ	銅合金0.8厚, 鍍錫
Screws	結線ビス	螺丝	Steel, M4, Ni Plated	鋼, M4, ニッケルメッキ	鋼, M4, 鍍錫



### DEVELOPING DG40-3-B



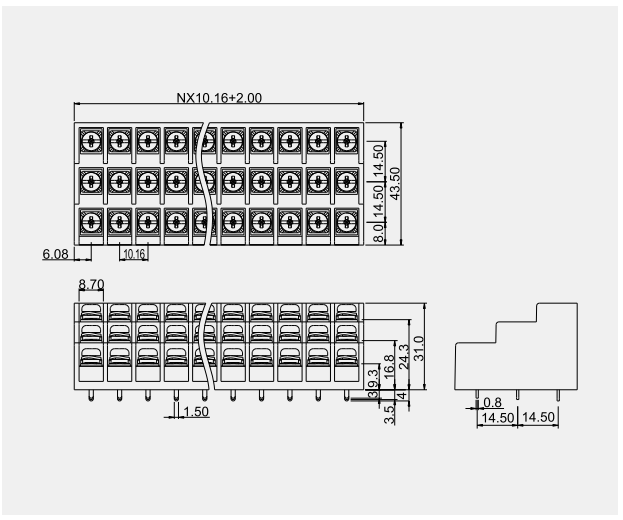
Use group	使用レベル	使用級別	B	C	D
Rated voltage	定格電圧	额定电压	250V	-	-
Rated current	定格電流	额定电流	10A	-	-
Wire range	電線径	导线线径		22-16AWG	
With standing voltage	耐電圧	耐电压		AC1500V/1Min	
Torque Value	ネジ締付トルク	锁紧扭力		0.5N.m (4.4Lb.In)	
Ambient temperature	环境温度	环境温度		-40°C~+105°C	
Housing	本体	塑件		PA66, UL94V-0	
Terminal	導電板	端子	Copper alloy, 0.8L Tin Plated	銅合金0.8厚, 錫メッキ	銅合金0.8厚, 鍍錫
Screws	結線ビス	螺丝	Steel, M3, Ni Plated	鋼, M3, ニッケルメッキ	鋼, M3, 鍍錫



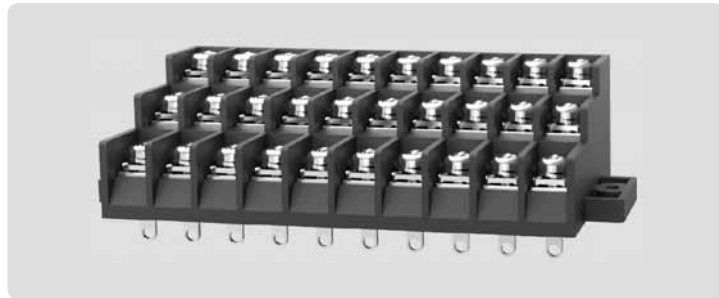
### DEVELOPING DG50-3-B



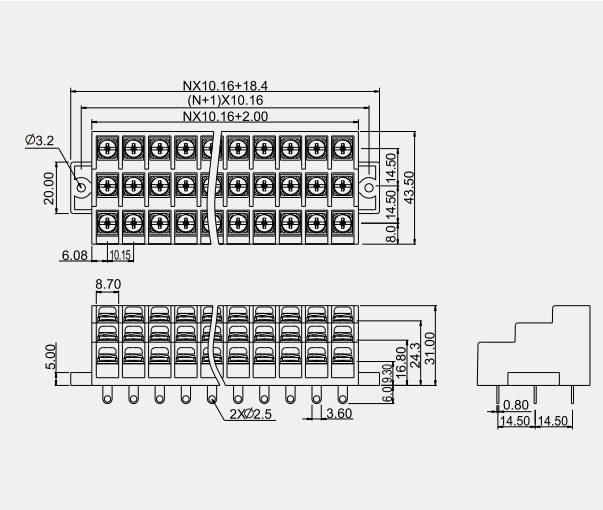
Use group	使用レベル	使用級別	B	C	D
Rated voltage	定格電圧	额定电压	250V	-	-
Rated current	定格電流	额定电流	15A	-	-
Wire range	電線径	导线线径		22-14AWG	
With standing voltage	耐電圧	耐电压		AC1500V/1Min	
Torque Value	ネジ締付トルク	锁紧扭力		1.2N.m (10.5Lb.In)	
Ambient temperature	环境温度	环境温度		-40°C~+105°C	
Housing	本体	塑件		PA66, UL94V-0	
Terminal	導電板	端子	Copper alloy, 0.8L Tin Plated	銅合金0.8厚, 錫メッキ	銅合金0.8厚, 鍍錫
Screws	結線ビス	螺丝	Steel, M4, Ni Plated	鋼, M4, ニッケルメッキ	鋼, M4, 鍍錫



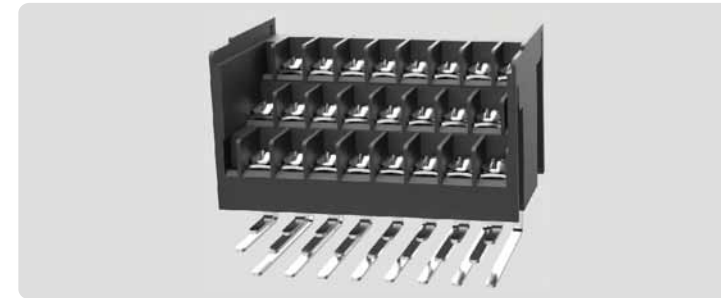
### DEVELOPING DG50H-3-A



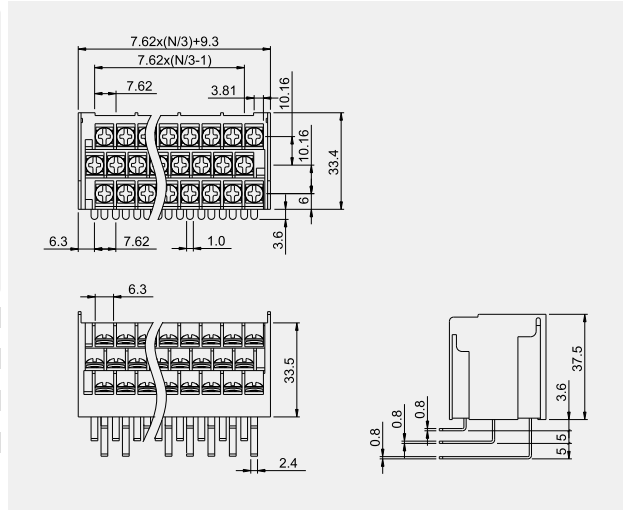
Use group	使用レベル	使用級別	B	C	D
Rated voltage	定格電圧	额定电压	250V	-	-
Rated current	定格電流	额定电流	15A	-	-
Wire range	電線径	导线线径		22-14AWG	
With standing voltage	耐電圧	耐电压		AC1500V/1Min	
Torque Value	ネジ締付トルク	锁紧扭力		1.2N.m (10.5Lb.In)	
Ambient temperature	环境温度	环境温度		-40°C~+105°C	
Housing	本体	塑件		PA66, UL94V-0	
Terminal	導電板	端子	Copper alloy, 0.8t, Tin Plated	銅合金0.8厚, 錫メッキ	銅合金0.8厚, 鍍錫
Screws	結線ビス	螺丝	Steel, M4, Ni Plated	鋼, M4, ニッケルメッキ	鋼, M4, 鍍錫



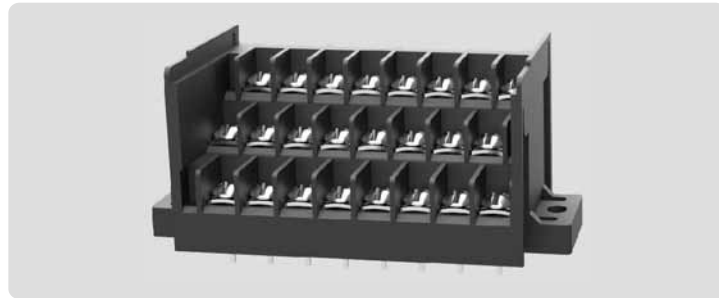
### DEVELOPING DG740RF-3-B



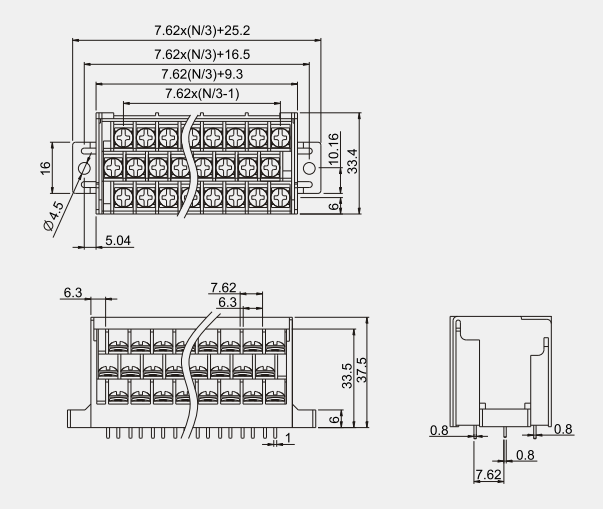
Use group	使用レベル	使用級別	B	C	D
Rated voltage	定格電圧	额定电压	250V	-	-
Rated current	定格電流	额定电流	10A	-	-
Wire range	電線径	导线线径		22-16AWG	
With standing voltage	耐電圧	耐电压		AC1500V/1Min	
Torque Value	ネジ締付トルク	锁紧扭力		0.5N.m (4.4Lb.In)	
Ambient temperature	环境温度	环境温度		-40°C~+105°C	
Housing	本体	塑件		PA66, UL94V-0	
Terminal	導電板	端子	Copper alloy, 0.8t, Tin Plated	銅合金0.8厚, 錫メッキ	銅合金0.8厚, 鍍錫
Screws	結線ビス	螺丝	Steel, M3, Ni Plated	鋼, M3, ニッケルメッキ	鋼, M3, 鍍錫



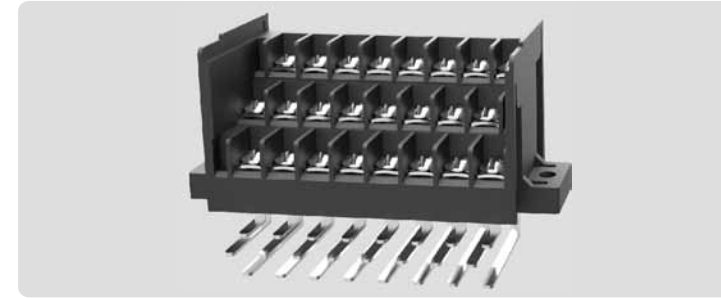
### DEVELOPING DG740VF-3-A



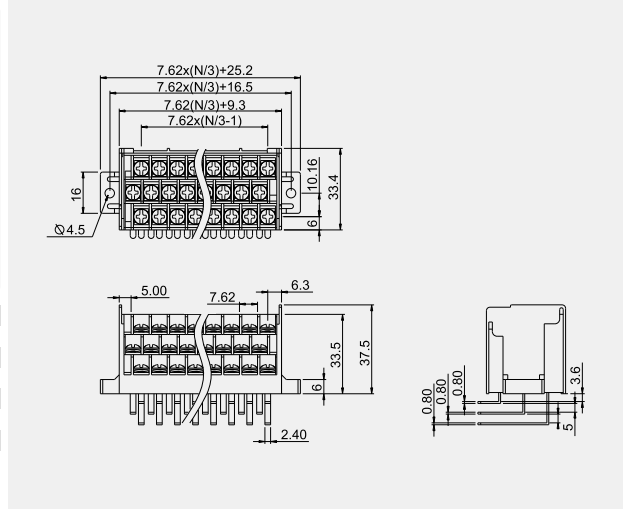
Use group	使用レベル	使用級別	B	C	D
Rated voltage	定格電圧	额定电压	250V	-	-
Rated current	定格電流	额定电流	10A	-	-
Wire range	電線径	导线线径		22-16AWG	
With standing voltage	耐電圧	耐电压		AC1500V/1Min	
Torque Value	ネジ締付トルク	锁紧扭力		0.5N.m (4.4Lb.In)	
Ambient temperature	环境温度	环境温度		-40°C~+105°C	
Housing	本体	塑件		PA66, UL94V-0	
Terminal	導電板	端子	Copper alloy, 0.8t, Tin Plated	銅合金0.8厚, 錫メッキ	銅合金0.8厚, 鍍錫
Screws	結線ビス	螺丝	Steel, M3, Ni Plated	鋼, M3, ニッケルメッキ	鋼, M3, 鍍錫



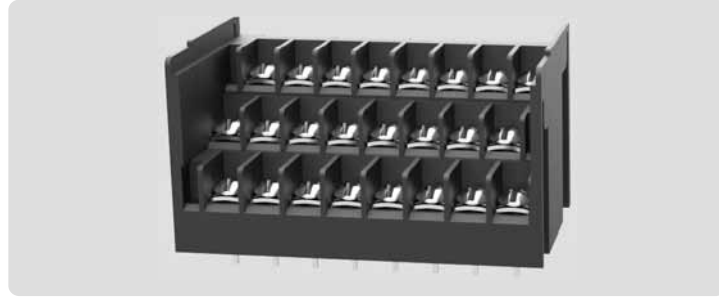
### DEVELOPING DG740LF-3-A



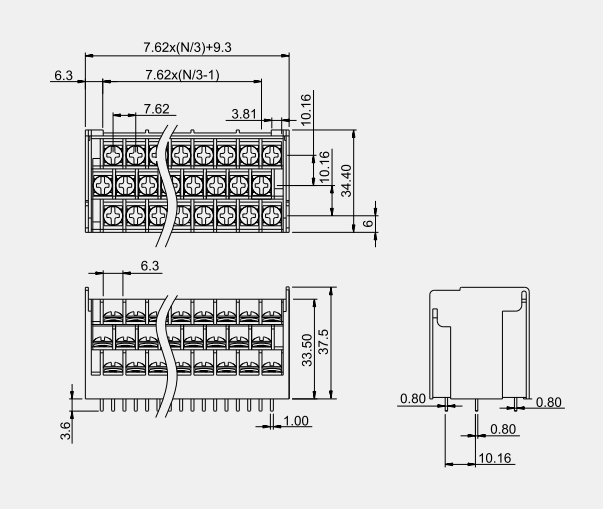
Use group	使用レベル	使用級別	B	C	D
Rated voltage	定格電圧	额定电压	250V	-	-
Rated current	定格電流	额定电流	10A	-	-
Wire range	電線径	导线线径		22-16AWG	
With standing voltage	耐電圧	耐电压		AC1500V/1Min	
Torque Value	ネジ締付トルク	锁紧扭力		0.5N.m (4.4Lb.In)	
Ambient temperature	环境温度	环境温度		-40°C~+105°C	
Housing	本体	塑件		PA66, UL94V-0	
Terminal	導電板	端子	Copper alloy, 0.8t, Tin Plated	銅合金0.8厚, 錫メッキ	銅合金0.8厚, 鍍錫
Screws	結線ビス	螺丝	Steel, M3, Ni Plated	鋼, M3, ニッケルメッキ	鋼, M3, 鍍錫



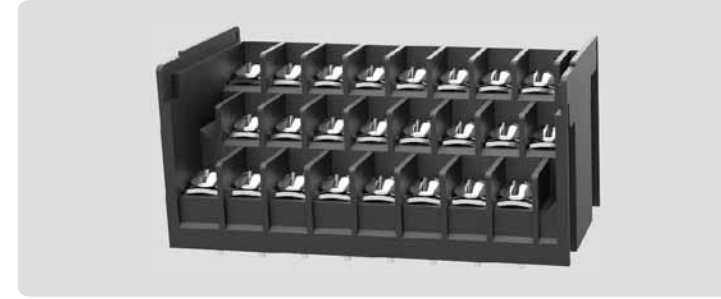
### DEVELOPING DG740VF-3-B



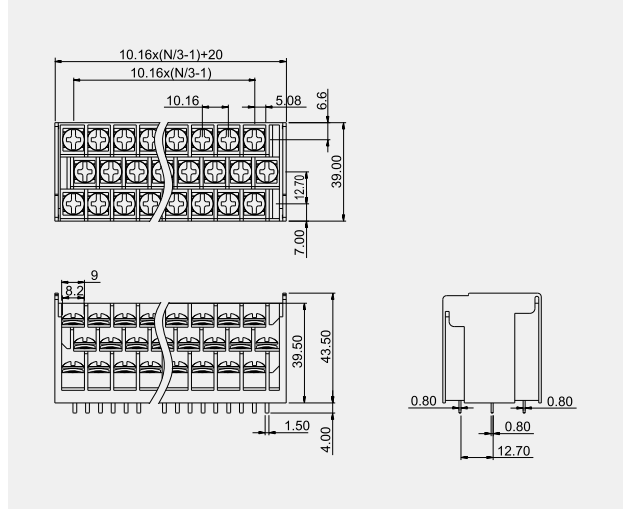
Use group	使用レベル	使用級別	B	C	D
Rated voltage	定格電圧	额定电压	250V	-	-
Rated current	定格電流	额定电流	10A	-	-
Wire range	電線径	导线线径		22-16AWG	
With standing voltage	耐電圧	耐电压		AC1500V/1Min	
Torque Value	ネジ締付トルク	锁紧扭力		0.5N.m (4.4Lb.In)	
Ambient temperature	环境温度	环境温度		-40°C~+105°C	
Housing	本体	塑件		PA66, UL94V-0	
Terminal	導電板	端子	Copper alloy, 0.8t, Tin Plated	銅合金0.8厚, 錫メッキ	銅合金0.8厚, 鍍錫
Screws	結線ビス	螺丝	Steel, M3, Ni Plated	鋼, M3, ニッケルメッキ	鋼, M3, 鍍錫



### DEVELOPING DG1016-3-B



Use group	使用レベル	使用級別	B	C	D
Rated voltage	定格電圧	额定电压	250V	-	-
Rated current	定格電流	额定电流	15A	-	-
Wire range	電線径	导线线径		22-14AWG	
With standing voltage	耐電圧	耐电压		AC1500V/1Min	
Torque Value	ネジ締付トルク	锁紧扭力		0.8N.m (7.0Lb.In)	
Ambient temperature	环境温度	环境温度		-40°C~+105°C	
Housing	本体	塑件		PA66, UL94V-0	
Terminal	導電板	端子	Copper alloy, 0.8t, Tin Plated	銅合金0.8厚, 錫メッキ	銅合金0.8厚, 鍍錫
Screws	結線ビス	螺丝	Steel, M3.5, Ni Plated	鋼, M3.5, ニッケルメッキ	鋼, M3.5, 鍍錫







## 环境政策

**DEGSON**® 认识到保护环境资源的重要性，并将其视为公司对社会应尽的义务，自觉满足产品的各项环保指标，为此我们制定以下环境战略方针：

- 1、满足客户需求，遵守国家和地方的法律、法规和其它环保要求。
- 2、环境保护为公司可持续发展的一项准则，坚持质量、效益和环保全面发展。
- 3、建立厂内废弃物管理，充分考虑在产品开发、生产、材料使用和废弃物处理等过程中可能影响环境的因素，提高企业内各场所的环境质量。
- 4、实施培训，全面提升全员的环境保护意识，实现环境管理体系和对环境保护能力的持续改进。
- 5、降耗节能，实现资源的充分利用。
- 6、向合作方及社会承诺为环境保护做出贡献。响应口号“人类只有一个地球”。
- 7、不断创新，开发新材料、新技术，制造节约型环保产品。

## ENVIRONMENTAL POLICY

**DEGSON** realizes system regulation without lead in 2005 and has been granted ISO14001 in 2006. All the products conform to the European ROHS requirement.

**DEGSON** realizes the importance to protect environment resources, selfconsciously meets environment protection requirements for products and regards it as the responsibility. Thus, we have made the following environment strategic policy :

- 1、To meet customers' demands and obey the national and local laws and regulations as well as other environmental protection requirements.
- 2、Take environmental protection as one criterion for continuing development of our company. Insist on fully development of quality, benefit and environmental protection.
- 3、Fully considering the factors which will influence the environment in the processes of product development, manufacturing, material usage and waste processing, establish management system of waste in order to improve the environment of our company.
- 4、To increase the employees' consciousness of environmental protection through training and to realize the continuing improvement of environment management system and the ability of environmental protection.
- 5、To make full use of resources and to decrease consumption of material in order to save energy.
- 6、To promise to our partners and society that we will make contribution to environment protection. There is only one Earth for our humanity.
- 7、To strive for making conservation-oriented and environment-friendly products through continuous innovation and developing new materials and technology.

