

# Joystick Switches



**EUCHNER**

More than safety.

# EUCHNER

More than safety.



Headquarters in Leinfelden-Echterdingen



Logistics center in Leinfelden-Echterdingen



Production location in Unterböhringen

## Internationally successful – the EUCHNER company

EUCHNER GmbH + Co. KG is a world-leading company in the area of industrial safety technology. EUCHNER has been developing and producing high-quality switching systems for mechanical and systems engineering for more than 60 years.

The medium-sized family-operated company based in Leinfelden, Germany, employs more than 600 people around the world.

16 subsidiaries and other sales partners in Germany and abroad work for our international success on the market.

## Quality and innovation – the EUCHNER products

A look into the past shows EUCHNER to be a company with a great inventive spirit. We take the technological and ecological challenges of the future as an incentive for extraordinary product developments.

EUCHNER safety switches monitor safety doors on machines and installations, help to minimize dangers and risks and thereby reliably protect people and processes. Today, our products range from electromechanical and electronic components to intelligent integrated safety solutions. Safety for people, machines and products is one of our dominant themes.

We define future safety technology with the highest quality standards and reliable technology. Extraordinary solutions ensure the great satisfaction of our customers.

The product ranges are subdivided as follows:

- ▶ Transponder-coded Safety Switches
- ▶ Transponder-coded Safety Switches with guard locking
- ▶ Multifunctional Gate Box MGB
- ▶ Access management systems (Electronic-Key-System EKS)
- ▶ Electromechanical Safety Switches
- ▶ Magnetically coded Safety Switches
- ▶ Enabling Switches
- ▶ Safety Relays
- ▶ Emergency Stop Devices
- ▶ Hand-Held Pendant Stations and Handwheels
- ▶ Safety Switches with AS-Interface
- ▶ Joystick Switches
- ▶ Position Switches




## Joystick Switches

---

|                            |   |           |
|----------------------------|---|-----------|
| <b>Use</b>                 |   | <b>4</b>  |
| <b>Design and function</b> |   | <b>4</b>  |
| <b>Advantages/features</b> |   | <b>4</b>  |
| <b>Series</b>              |   | <b>5</b>  |
| Series WK...               | Front panel installation according to IEC 947-5-1 D30 | 6         |
| Series WE...               | Front panel installation at rear or with front panel  | 8         |
| Series KB...               | Front panel installation according to IEC 947-5-1 D30 | 10        |
| Series KF...               | Front panel installation at rear                      | 12        |
| Series KE...               | Front panel installation according to IEC 947-5-1 D22 | 14        |
| Series KC...               | Front panel installation at rear or with front panel  | 16        |
| <b>Special versions</b>    |   | <b>20</b> |
| <b>Accessories</b>         |   | <b>24</b> |

## Use

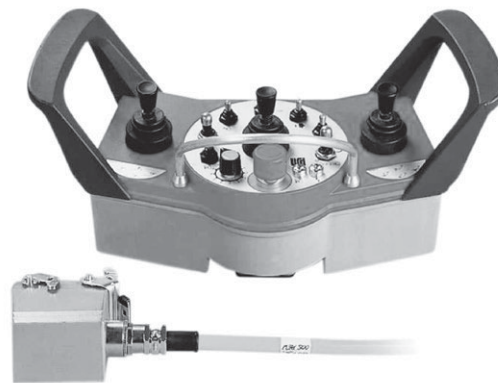
Joystick switches are manually actuated control devices for installation in control and front panels, as well as in portable control equipment. They are used wherever motion sequences analogous to the actuation direction are controlled by hand. They are ideal for raising, lowering and triggering movements to the right and left, just to name a few possibilities.

Joysticks from EUCHNER are used in areas of the steel and construction industry, in transport and conveyor systems, in systems engineering and mechanical engineering, as well as in warehousing, medicine and studios. The devices are also approved for use in shipbuilding due to their certification by  (Germanischer Lloyd).

EUCHNER joysticks are also used for radio and cable controls, construction machines and cranes.



Joysticks as control equipment in remote control devices



Remote cable control for concrete pumps



## Design and function

Microswitches with a snap-action function are used as switching elements. Due to the snap-action switching, a clear switching function is given for precise control systems as well.

Depending on the respective application, switching elements with a switching capacity of between 4 mA and 16 A are mounted individually or in groups on the mounting plate in the various series. The switching elements are actuated by moving the joystick from the center position.

## Advantages/features

- ▶ Intuitive and ergonomic functionality
- ▶ Simplification of the control panel
- ▶ Easy installation due to the slots in the panel
- ▶ Small space requirement
- ▶ Robust and lasting design

## Series

EUCHNER joystick switches are available in a number of different series:



**Series WK...**  
(page 6)



**Series WE...**  
(page 8)



**Series KB...**  
(page 10)



**Series KF...**  
(page 12)



**Series KE...**  
(page 14)



**Series KC...**  
(page 16)

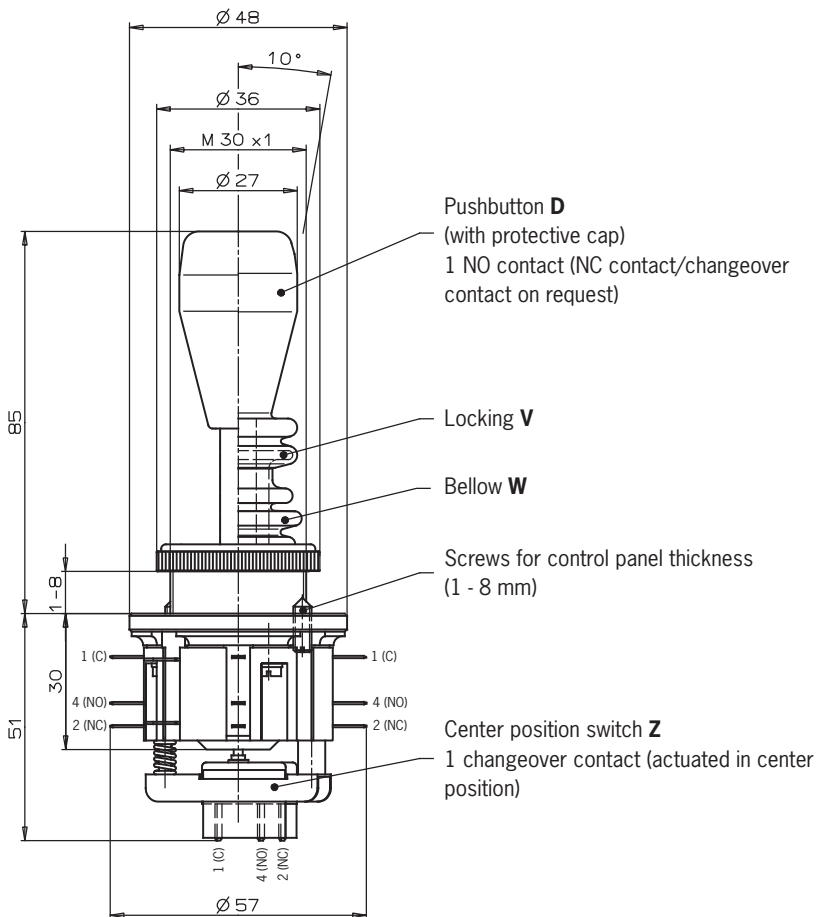
## Series WK...

Germanischer Lloyd  
Certificate no. 17 041 - 00 HH

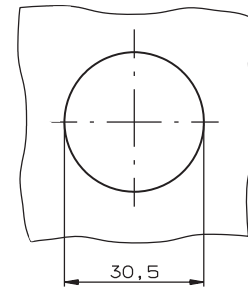


- ▶ Front panel installation according to IEC 947-5-1 D30
- ▶ 1 to 8 actuating directions with spring return switches or combined
- ▶ One changeover contact with tab connector 2.8 x 0.5 IEC 760 for each actuating direction
- ▶ Center position switch
- ▶ Pushbutton in handle

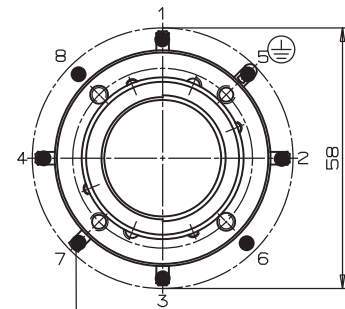
## Dimension drawing



Panel cut-out



Actuating directions



Connection D  
(the connection is located on the underside for versions with 8 directions)

## Ordering code

|   |   |  |  |  |  |
|---|---|--|--|--|--|
| W | K |  |  |  |  |
|---|---|--|--|--|--|

## Series

## Actuating direction and switching characteristics

Stayput switch **S** (switching lever engages in selected position)  
Spring return switch **T** (switching lever returns to center position)

## Options

Pushbutton **D**  
Bellow **W**  
Locking **V**  
Center position switch **Z**  
All-round actuation **R**

## Technical data

| Parameter   | Value   | Unit |
|---|---|------|
| Housing material                                  | Reinforced thermoplastic/aluminum   |      |
| Switching lever material                          | Stainless steel   |      |
| Degree of protection acc. to IEC 529              | IP 65/IP 54   |      |
| Actuating side with/without bellow                |   |      |
| Mounting  | IEC 947-5-1 D30   |      |
| Weight  | Approx. 0.2   | kg   |
| Mechanical life                                   | 1x10 <sup>6</sup> operating cycles  |      |
| Ambient temperature with spring return switch     | -5 to +65   | °C   |
| Ambient temperature with stayput switch           | -25 to +65  | °C   |
| Storage temperature                               | -40 to +50  | °C   |
| Max. number of switching elements                 | 8   |      |
| Connection  | Tab connector 2.8 x 0.5 IEC 760   |      |
| Switching contacts                                | Changeover contact C IEC 947-5-1  |      |
| Switching principle                               | Snap-action contact element, design ES 584  |      |
| Rated insulation voltage U <sub>i</sub>           | 250   | V    |
| Rated impulse withstand voltage U <sub>imp</sub>  | 2.5   | kV   |
| Utilization category AC 15                        | 230 V/4 A   |      |
| Utilization category DC 13                        | 24 V/2 A  |      |
| Switching current, min., at 24 V                  | 12  | mA   |
| Switching voltage, min.                           | 10  | V    |
| Contact material                                  | Silver alloy, gold on request   |      |
| Short circuit protection (control circuit fuse)   | T6/F10  | A    |
| Max. number of actuating directions               | 8   |      |
| All-round actuation R (spring return switch only) | Actuation of one switching element (vertically or horizontally) or two adjacent switching elements (diagonally) at the same time, with eight microswitches* |      |
| Switch positions per direction                    | 1   |      |
| Stayput switch S (latching)                       | According to order designation  |      |
| Spring return switch T (automatic return)         | According to order designation  |      |
| Bellow W  | Option  |      |
| Locking V in center position                      | Option  |      |
| Center position switch Z                          | Option<br>(1 changeover contact)  |      |
| <b>Pushbutton D</b>                               | Option  |      |
| Degree of protection acc. to IEC 529              | IP 65   |      |
| Life  | 5x10 <sup>4</sup> operating cycles at 0.7 A/250 V AC  |      |
| Switching contact                                 | 1 x NO contact (NC contact/changeover contact on request)   |      |
| Utilization category AC 15                        | 230 V/2 A   |      |
| Utilization category DC 13                        | 24 V/1 A  |      |
| Switching current, min., at 24 V                  | 12  | mA   |
| Switching voltage, min.                           | 10  | V    |
| Actuating force                                   | < 8   | N    |
| Actuating travel                                  | Approx. 3   | mm   |

## Ordering examples

Joystick switch series **WK**, actuating directions **1+3** stayput switch **S**,  
actuating directions **2+4** spring return switch **T**, pushbutton **D**, center position switch **Z**,  
locking **V** in center position

**WK S13 T24 DZV**

Joystick switch series **WK**, 8 switching elements as spring return switch, all-round actuation **R**

**WK T1-8 R**

## Version

Joystick switch series **WK**, 4 switching elements, 2 actuating directions  
(2 switching elements per actuating direction)

**On request**

\* Diagonal actuation of adjacent switching elements with four microswitches can be realized on request.







## Technical data

| Parameter   | Value   | Unit |
|---|---|------|
| Housing material                                  | Reinforced thermoplastic/aluminum                         |      |
| Switching lever material                          | Galvanized steel  |      |
| Degree of protection acc. to IEC 529              | IP 65/IP 54   |      |
| Actuating side with/without bellow                |   |      |
| Mounting  | Front panel installation at rear or with front panel      |      |
| Weight  | Approx. 0.7   | kg   |
| Mechanical life                                   | 1x10 <sup>6</sup> operating cycles                        |      |
| Ambient temperature with spring return switch     | -5 to +65   | °C   |
| Ambient temperature with stayput switch           | -25 to +65  | °C   |
| Storage temperature                               | -40 to +50  | °C   |
| Max. number of switching elements                 | 8   |      |
| Connection  | Screw terminal  |      |
| Switching contacts                                | Changeover contact Za IEC 947-5-1                         |      |
| Switching principle                               | Snap-action contact element, design ES 502V1              |      |
| Rated insulation voltage U <sub>i</sub>           | 250   | V    |
| Rated impulse withstand voltage U <sub>imp</sub>  | 2.5   | kV   |
| Utilization category AC 15                        | 230 V/10 A  |      |
| Utilization category DC 13                        | 24 V/4 A  |      |
| Switching current, min., at 24 V                  | 50  | mA   |
| Switching voltage, min.                           | 24  | V    |
| Contact material                                  | Silver alloy  |      |
| Short circuit protection (control circuit fuse)   | T16/F25   | A    |
| Max. number of actuating directions               | 8   |      |
| All-round actuation R (spring return switch only) | 1 switching element is actuated per actuating direction   |      |
| Switch positions per direction                    | 1   |      |
| Stayput switch S (latching)                       | According to order designation                            |      |
| Spring return switch T (automatic return)         | According to order designation                            |      |
| Bellow W  | Option  |      |
| Locking V in center position                      | Option  |      |
| Center position switch Z                          | Option<br>(1 NO contact + 1 NC contact)                   |      |
| <b>Pushbutton D</b>                               | Option  |      |
| Degree of protection acc. to IEC 529              | IP 65   |      |
| Life  | 5x10 <sup>4</sup> operating cycles at 0.7 A/250 V AC      |      |
| Switching contact                                 | 1 x NO contact (NC contact/changeover contact on request) |      |
| Utilization category AC 15                        | 230 V/2 A   |      |
| Utilization category DC 13                        | 24 V/1 A  |      |
| Switching current, min., at 24 V                  | 12  | mA   |
| Switching voltage, min.                           | 10  | V    |
| Actuating force                                   | < 8   | N    |
| Actuating travel                                  | Approx. 3   | mm   |

## Ordering examples

Joystick switch series **WE**, actuating directions **1+3** stayput switch **S**,  
actuating directions **2+4** spring return switch **T**, pushbutton **D**, center position switch **Z**,  
locking **V** in center position

**WE S13 T24 DZV**

Joystick switch series **WE**, 8 switching elements as spring return switch, all-round actuation **R**

**WE T1-8 R**

## Version

Joystick switch series **WE**, 4 switching elements, 2 actuating directions  
(2 switching elements per actuating direction)

**On request**

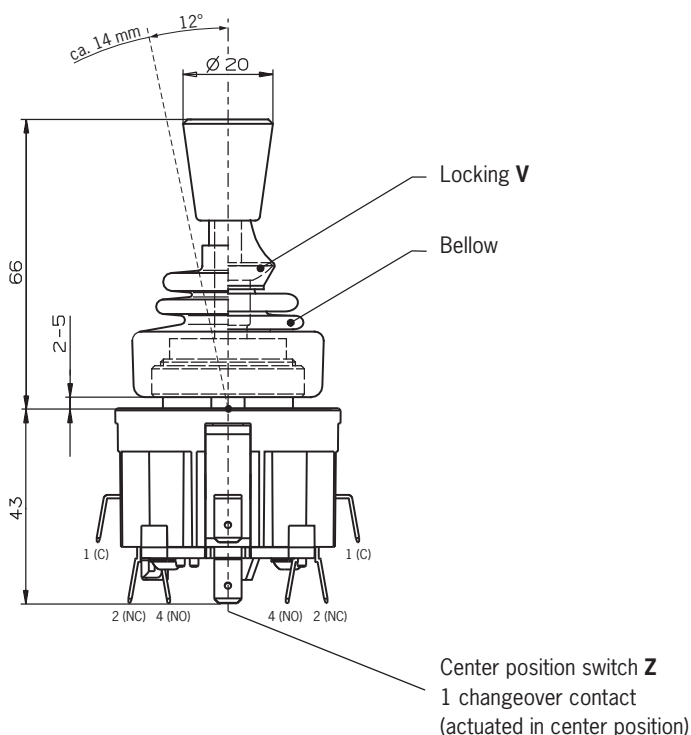
## Series KB...

Germanischer Lloyd  
Certificate no. 17 041 - 00 HH

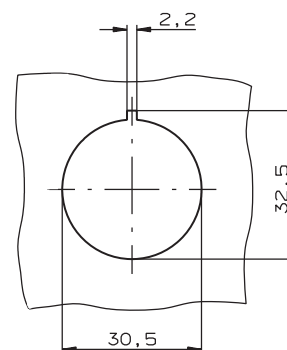


- ▶ Front panel installation according to IEC 947-5-1 D30
- ▶ 1 to 8 actuating directions, 4 switching elements. Stayput switch, spring return switch or combined
- ▶ One changeover contact with tab connector 6.3 x 0.8 IEC 760 for each actuating direction

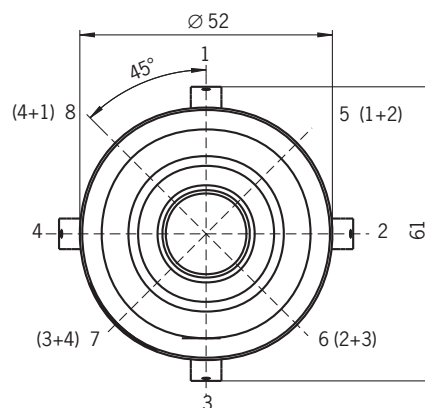
## Dimension drawing



Panel cut-out



Actuating directions



## Ordering code

|          |          |  |  |
|----------|----------|--|--|
| <b>K</b> | <b>B</b> |  |  |
|----------|----------|--|--|

## Series

## Actuating direction and switching characteristics

Stayput switch **S** (switching lever engages in selected position)  
Spring return switch **T** (switching lever returns to center position)

## Options

Locking **V**  
All-round actuation **R**<sup>1)</sup>  
Center position switch **Z**

1) Simultaneous actuation of 2 adjacent switching elements in diagonal actuating directions.

## Technical data

| Parameter   | Value  | Unit                               |
|---|--|------------------------------------|
| Housing material                                  | Thermoplastic  |                                    |
| Switching lever material                          | Stainless steel  |                                    |
| Degree of protection acc. to IEC 529              | IP 65  |                                    |
| Actuating side with/without bellow                |  |                                    |
| Mounting  | IEC 947-5-1 D30  |                                    |
| Weight  | Approx. 0.2  | kg                                 |
| Mechanical life                                   | Spring return switch   | 2x10 <sup>6</sup> operating cycles |
|   | Stayput switch   | 1x10 <sup>6</sup> operating cycles |
| Ambient temperature with spring return switch     | -25 to +65   | °C                                 |
| Ambient temperature with stayput switch           | -25 to +65   | °C                                 |
| Storage temperature                               | -40 to +50   | °C                                 |
| Max. number of switching elements                 | 4  |                                    |
| Connection  | Tab connector 6.3 x 0.8 IEC 760<br>Screw terminal on request   |                                    |
| Switching contacts                                | Changeover contact C IEC 947-5-1   |                                    |
| Switching principle                               | Snap-action contact element  |                                    |
| Rated insulation voltage U <sub>i</sub>           | 250  | V                                  |
| Rated impulse withstand voltage U <sub>imp</sub>  | 2.5  | kV                                 |
| Utilization category AC 15                        | 230 V/5 A  |                                    |
| Utilization category DC 13                        | 24 V/3 A   |                                    |
| Switching current, min., at 24 V                  | 10   | mA                                 |
| Switching voltage, min.                           | 12   | V                                  |
| Contact material                                  | Silver alloy   |                                    |
| Short circuit protection (control circuit fuse)   | T10/F20  | A                                  |
| Max. number of actuating directions               | 8  |                                    |
| All-round actuation R (spring return switch only) | Actuation of one switching element (vertically or horizontally) or two adjacent switching elements (diagonally) at the same time |                                    |
| Switch positions per direction                    | 1  |                                    |
| Stayput switch S (latching)                       | According to order designation   |                                    |
| Spring return switch T (automatic return)         | According to order designation   |                                    |
| Locking V in center position                      | Option   |                                    |
| Center position switch Z                          | Option<br>(1 changeover contact)   |                                    |

## Ordering examples

Joystick switch series **KB**, actuating directions **1+3** stayput switch **S**,  
actuating directions **2+4** spring return switch **T**

**KB S13 T24**

Joystick switch series **KB**, actuating directions **1+3** spring return switch **T**,  
center position switch **Z**, locking **V** in center position

**KB T13 ZV**

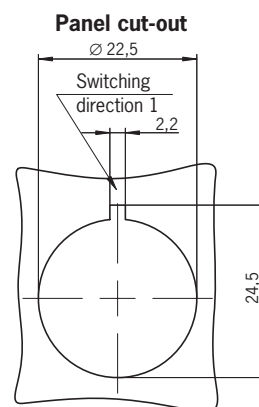
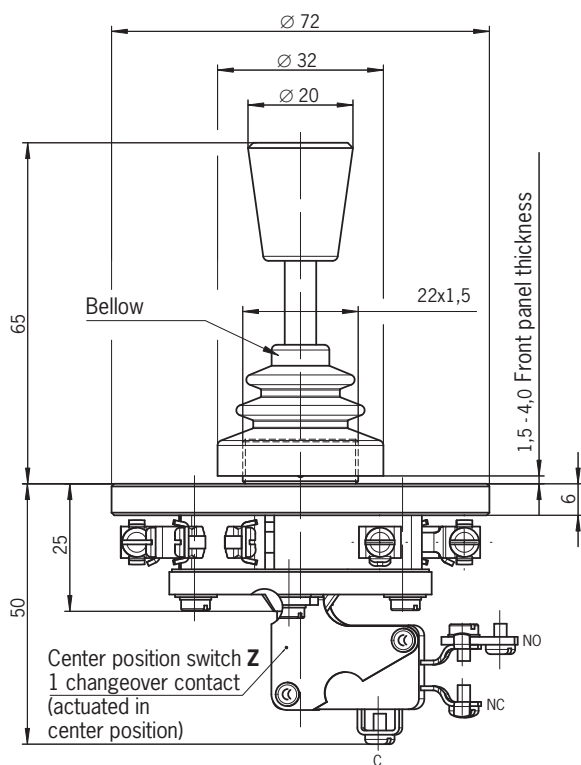
## Series KF...

Germanischer Lloyd  
Certificate no. 17 041 - 00 HH

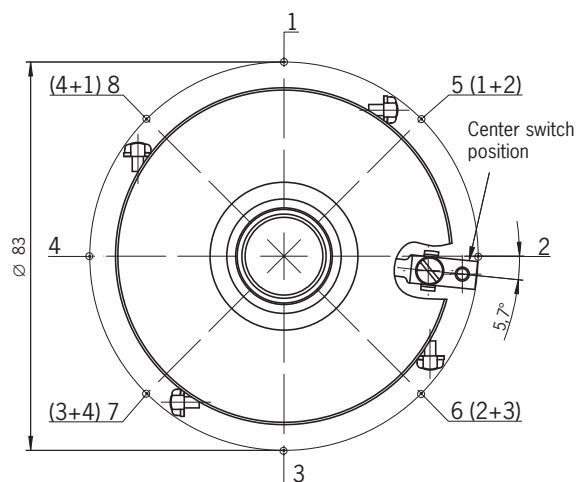


- ▶ Front panel installation at rear
- ▶ 1 to 8 actuating directions, 4 switching elements. Stayput switch, spring return switch or combined
- ▶ One changeover contact with screw terminal for each actuating direction
- ▶ Center position switch

## Dimension drawing



## Actuating directions



## Ordering code

|          |          |  |  |
|----------|----------|--|--|
| <b>K</b> | <b>F</b> |  |  |
|----------|----------|--|--|

Series \_\_\_\_\_

## Actuating direction and switching characteristics

Stayput switch      **S** (switching lever engages in selected position)  
Spring return switch      **T** (switching lever returns to center position)

## Options

Center position switch      **Z**  
All-round actuation      **R**<sup>1)</sup>

1) Simultaneous actuation of 2 adjacent switching elements in diagonal actuating directions.

## Technical data

| Parameter  | Value  | Unit |
|--|--|------|
| Housing material   | Duroplast  |      |
| Switching lever material   | Stainless steel  |      |
| Degree of protection acc. to IEC 529<br>Actuating side with/without bellow | IP 65  |      |
| Mounting   | Front panel installation at rear   |      |
| Weight   | Approx. 0.2  | kg   |
| Mechanical life  | 1x10 <sup>6</sup> operating cycles   |      |
| Ambient temperature with spring return switch                              | -5 to +65  | °C   |
| Ambient temperature with stayput switch                                    | -25 to +65   | °C   |
| Storage temperature  | -40 to +50   | °C   |
| Max. number of switching elements  | 4  |      |
| Connection   | Screw terminal   |      |
| Switching contacts   | Changeover contact C IEC 947-5-1   |      |
| Switching principle  | Snap-action contact element  |      |
| Rated insulation voltage U <sub>i</sub>                                    | 250  | V    |
| Rated impulse withstand voltage U <sub>imp</sub>                           | 2.5  | kV   |
| Utilization category AC 15   | 230 V/5 A  |      |
| Utilization category DC 13   | 24 V/3 A   |      |
| Switching current, min., at 24 V   | 10   | mA   |
| Switching voltage, min.  | 12   | V    |
| Contact material   | Silver alloy   |      |
| Short circuit protection (control circuit fuse)                            | T10/F20  | A    |
| Max. number of actuating directions  | 8  |      |
| All-round actuation R  | Actuation of one switching element (vertically or horizontally) or two adjacent switching elements (diagonally) at the same time |      |
| Switch positions per direction   | 1  |      |
| Stayput switch S (latching)  | According to order designation   |      |
| Spring return switch T (automatic return)                                  | According to order designation   |      |
| Center position switch Z   | Option<br>(1 changeover contact)   |      |

## Ordering examples

Joystick switch series **KF**, actuating directions **1+3** stayput switch **S**,  
actuating directions **2+4** spring return switch **T**, center position switch **Z**

**KF S13 T24 Z**

Joystick switch series **KF**, actuating directions **1-4** spring return switch **T**,  
all-round actuation **R**

**KF T1234 R**

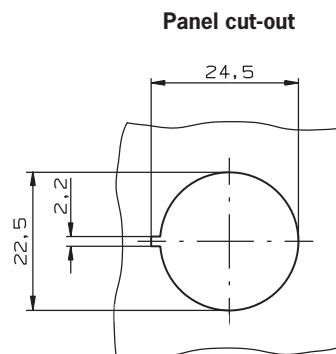
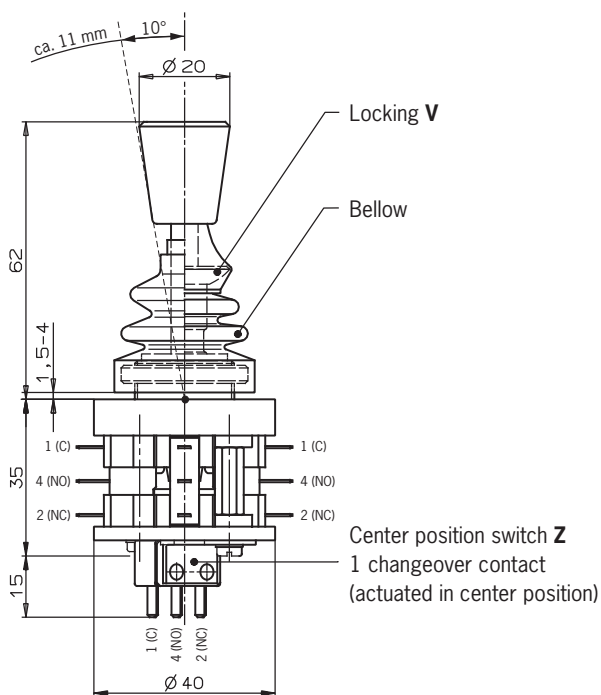
## Series KE...

Germanischer Lloyd  
Certificate no. 17 041 - 00 HH

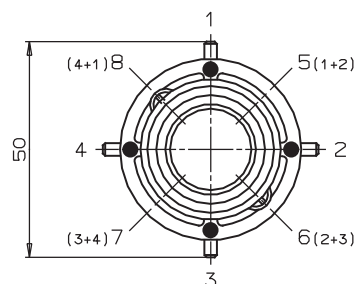


- ▶ Front panel installation according to IEC 947-5-1 D22
- ▶ 1 to 8 actuating directions, 4 switching elements. Stayput switch, spring return switch or combined
- ▶ One changeover contact with tab connector 2.8 x 0.5 IEC 760 for each actuating direction
- ▶ Center position switch

## Dimension drawing



## Actuating directions



## Ordering code

|          |          |  |  |
|----------|----------|--|--|
| <b>K</b> | <b>E</b> |  |  |
|----------|----------|--|--|

Series

## Actuating direction and switching characteristics

Stayput switch **S** (switching lever engages in selected position)  
Spring return switch **T** (switching lever returns to center position)

## Options

Locking **V**  
Center position switch **Z**  
All-round actuation **R**<sup>1)</sup>

1) Simultaneous actuation of 2 adjacent switching elements in diagonal actuating directions.

## Technical data

| Parameter  | Value  | Unit |
|--|--|------|
| Housing material                                 | Duroplast  |      |
| Switching lever material                         | Stainless steel  |      |
| Degree of protection acc. to IEC 529             | IP 65  |      |
| Actuating side with/without bellow               |  |      |
| Mounting   | IEC 947-5-1 D22  |      |
| Weight   | Approx. 0.1  | kg   |
| Mechanical life                                  | 1x10 <sup>6</sup> operating cycles   |      |
| Ambient temperature with spring return switch    | -25 to +65   | °C   |
| Ambient temperature with stayput switch          | -25 to +65   | °C   |
| Storage temperature                              | -40 to +50   | °C   |
| Max. number of switching elements                | 4  |      |
| Connection                                       | Tab connector 2.8 x 0.5 IEC 760  |      |
| Switching contacts                               | Changeover contact C IEC 947-5-1   |      |
| Switching principle                              | Snap-action contact element, design ES 587   |      |
| Rated insulation voltage U <sub>i</sub>          | 250  | V    |
| Rated impulse withstand voltage U <sub>imp</sub> | 2.5  | kV   |
| Utilization category AC 15                       | 230 V/4 A  |      |
| Utilization category DC 13                       | 24 V/2 A   |      |
| Switching current, min., at 24 V                 | 12   | mA   |
| Switching voltage, min.                          | 10   | V    |
| Contact material                                 | Silver alloy   |      |
| Short circuit protection (control circuit fuse)  | T10/F20  | A    |
| Max. number of actuating directions              | 8  |      |
| All-round actuation R                            | Actuation of one switching element (vertically or horizontally) or two adjacent switching elements (diagonally) at the same time |      |
| Switch positions per direction                   | 1  |      |
| Stayput switch S (latching)                      | According to order designation   |      |
| Spring return switch T (automatic return)        | According to order designation   |      |
| Locking V in center position                     | Option   |      |
| Center position switch Z                         | Option<br>(1 changeover contact)   |      |

## Ordering examples

Joystick switch series **KE**, actuating directions **1+3** stayput switch **S**,  
actuating directions **2+4** spring return switch **T**, center position switch **Z**

**KE S13 T24 Z**

Joystick switch series **KE**, actuating directions **1+3** spring return switch **T**,  
locking **V** in center position

**KE T13 V**

Joystick switch series **KE**, actuating directions **1-4** spring return switch **T**,  
all-round actuation **R**

**KE T1234 R**





## Technical data

| Parameter   | Value  | Unit |
|---|--|------|
| Housing material                                  | Reinforced thermoplastic/aluminum  |      |
| Switching lever material                          | Galvanized steel   |      |
| Degree of protection acc. to IEC 529              | IP 65/IP 50  |      |
| Actuating side with/without bellow                |  |      |
| Mounting  | Front panel installation at rear or with front panel   |      |
| Weight  | Approx. 0.75   | kg   |
| Mechanical life                                   | 1x10 <sup>6</sup> operating cycles   |      |
| Ambient temperature with spring return switch     | -5 to +65  | °C   |
| Ambient temperature with stayput switch           | -25 to +65   | °C   |
| Storage temperature                               | -40 to +50   | °C   |
| Max. number of switching elements                 | 3 per direction  |      |
| Connection  | Tab connector 2.8 x 0.5 IEC 760 (ES 584)<br>Screw terminal (ES 556)  |      |
| Switching contacts                                | Changeover contact C IEC 947-5-1   |      |
| Switching principle                               | Snap-action contact element, design ES 584 or ES 556   |      |
| Rated insulation voltage U <sub>i</sub>           | 250  | V    |
| Rated impulse withstand voltage U <sub>imp</sub>  | 2.5  | kV   |
| Utilization category AC 15                        | 230 V/4 A  |      |
| Utilization category DC 13                        | 24 V/2 A   |      |
| Switching current, min., at 24 V                  | 12   | mA   |
| Switching voltage, min.                           | 10   | V    |
| Contact material                                  | Silver alloy   |      |
| Short circuit protection (control circuit fuse)   | T6/F10   | A    |
| Max. number of actuating directions               | 8  |      |
| All-round actuation R (spring return switch only) | Actuation of one switching element (vertically or horizontally) or two adjacent switching elements (diagonally) at the same time |      |
| Switch positions per direction                    | 1 or 2   |      |
| Stayput switch S (latching)                       | According to order designation   |      |
| Spring return switch T (automatic return)         | According to order designation   |      |
| Bellow W, X                                       | Option   |      |
| Locking V in center position or position I        | Option   |      |
| Center position switch Z                          | Option<br>(1 changeover contact)   |      |
| <b>Pushbutton D</b>                               | Option   |      |
| Degree of protection acc. to IEC 529              | IP 65  |      |
| Life  | 5x10 <sup>4</sup> operating cycles at 0.7 A/250 V AC   |      |
| Switching contacts                                | 1 x NO contact (NC contact/changeover contact on request)  |      |
| Utilization category AC 15                        | 230 V/2 A  |      |
| Utilization category DC 13                        | 24 V/1 A   |      |
| Switching current, min., at 24 V                  | 12   | mA   |
| Switching voltage, min.                           | 10   | V    |
| Actuating force                                   | < 8  | N    |
| Actuating travel                                  | Approx. 3  | mm   |

### Ordering examples (see ordering codes, page 18)

Joystick switch series **KC** with tab connector, main actuating direction 1 with 3 switching elements. As spring return switch in switch position I. As stayput switch in switch position II. Main actuating directions 2 and 4 with 2 switching elements each. As stayput switch in switch positions I and II. Main actuating direction 3 not used. Option **V1** (mech. locking of switch position I to switch position II)

**KCA3A5C005C0000V1**

Joystick switch series **KC** with screw terminal, main actuating directions **1-4** as stayput switch **S** with one switching element each, diagonal actuating directions **5-8**, pushbutton **D**, bellow **W** for installation.

**KCB4E4E4E4E5678DW**

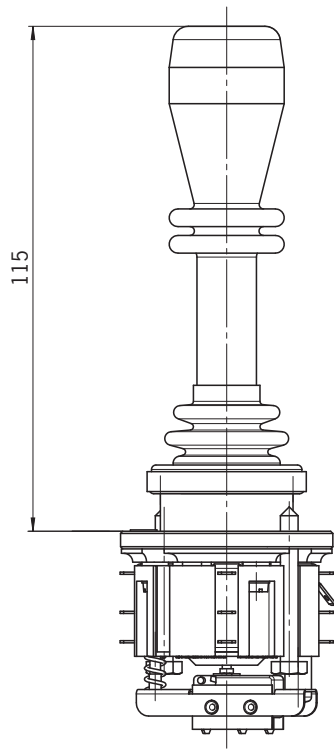




## Special versions

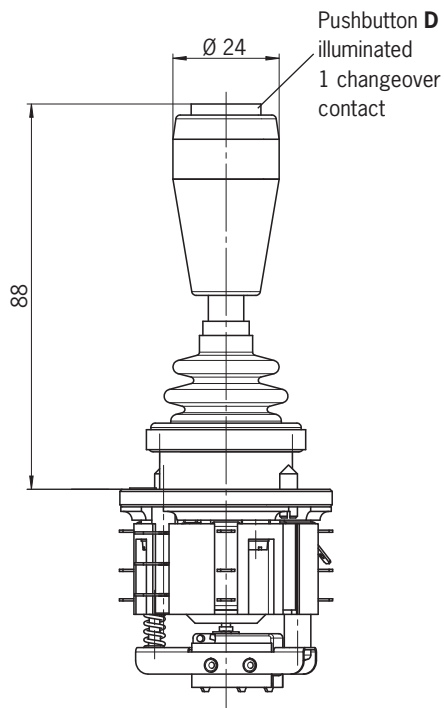
### Joystick switch series WK with longer lever

| Item       | Order no. |
|------------|-----------|
| WK...C2414 | 123874    |



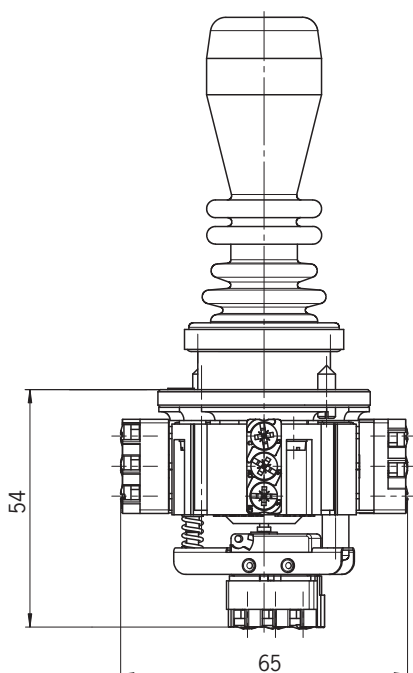
### Joystick switch series WK with illuminated pushbutton

| Item        | Order no. |
|-------------|-----------|
| WK...DC2327 | 111068    |



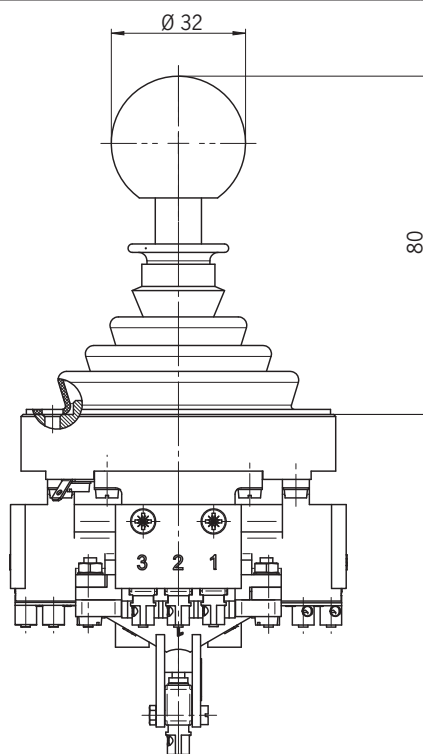
### Joystick switch series WK with screw terminal

| Item       | Order no. |
|------------|-----------|
| WK...C2374 | 114942    |



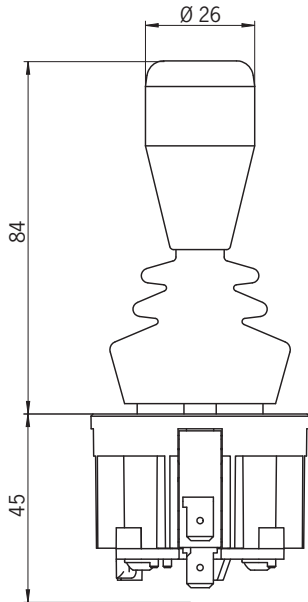
### Joystick switch series KB with cone grip and short lever

| Item       | Order no. |
|------------|-----------|
| KCB...P163 | 078608    |



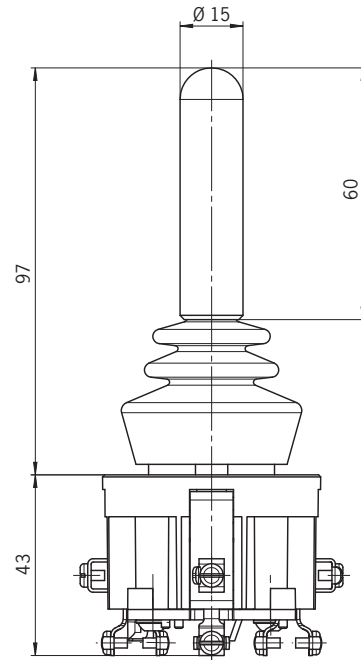
## Joystick switch series KB with special handle

| Item       | Order no.     |
|------------|---------------|
| KBS...P168 | <b>072908</b> |



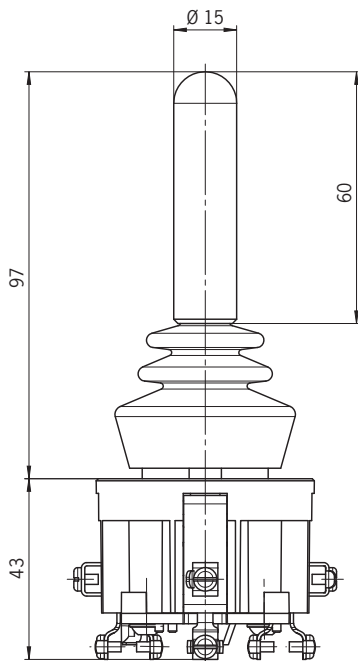
## Joystick switch series KB with special handle

| Item       | Order no.     |
|------------|---------------|
| KBT...P194 | <b>112945</b> |



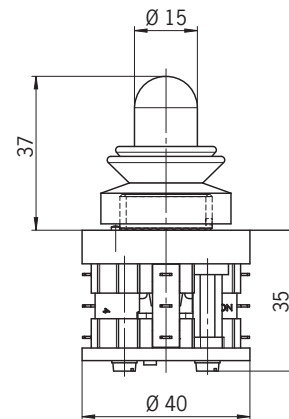
## Joystick switch series KB with special handle and screw terminal

| Item       | Order no.     |
|------------|---------------|
| KBT...P194 | <b>113353</b> |



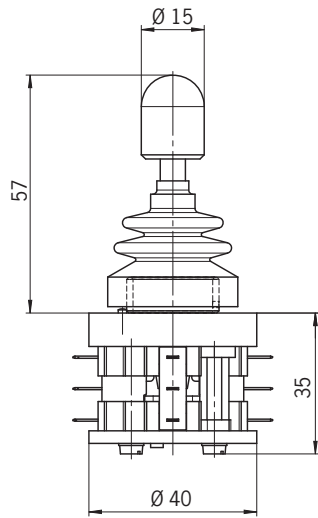
## Joystick switch series KE in miniature version

| Item      | Order no.     |
|-----------|---------------|
| KE...P187 | <b>105607</b> |



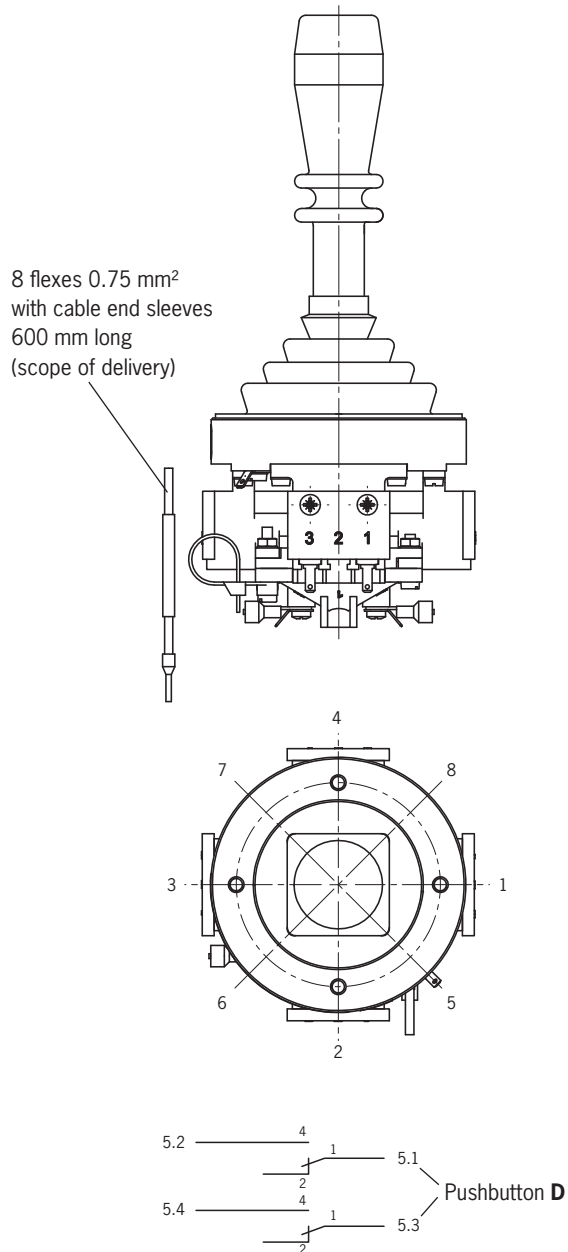
## Joystick switch series KE with special handle

| Item        | Order no. |
|-------------|-----------|
| KET1234P183 | 100659    |



## Joystick switch series KC with special pushbutton and 2 changeover contacts

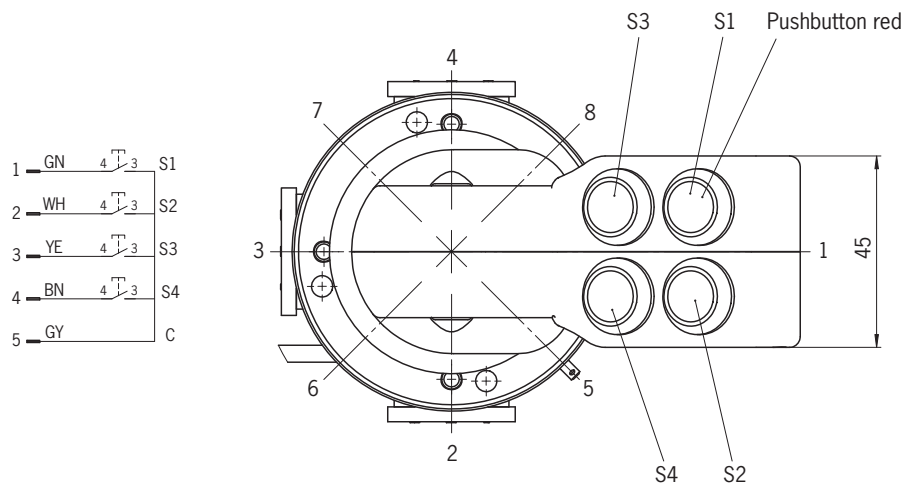
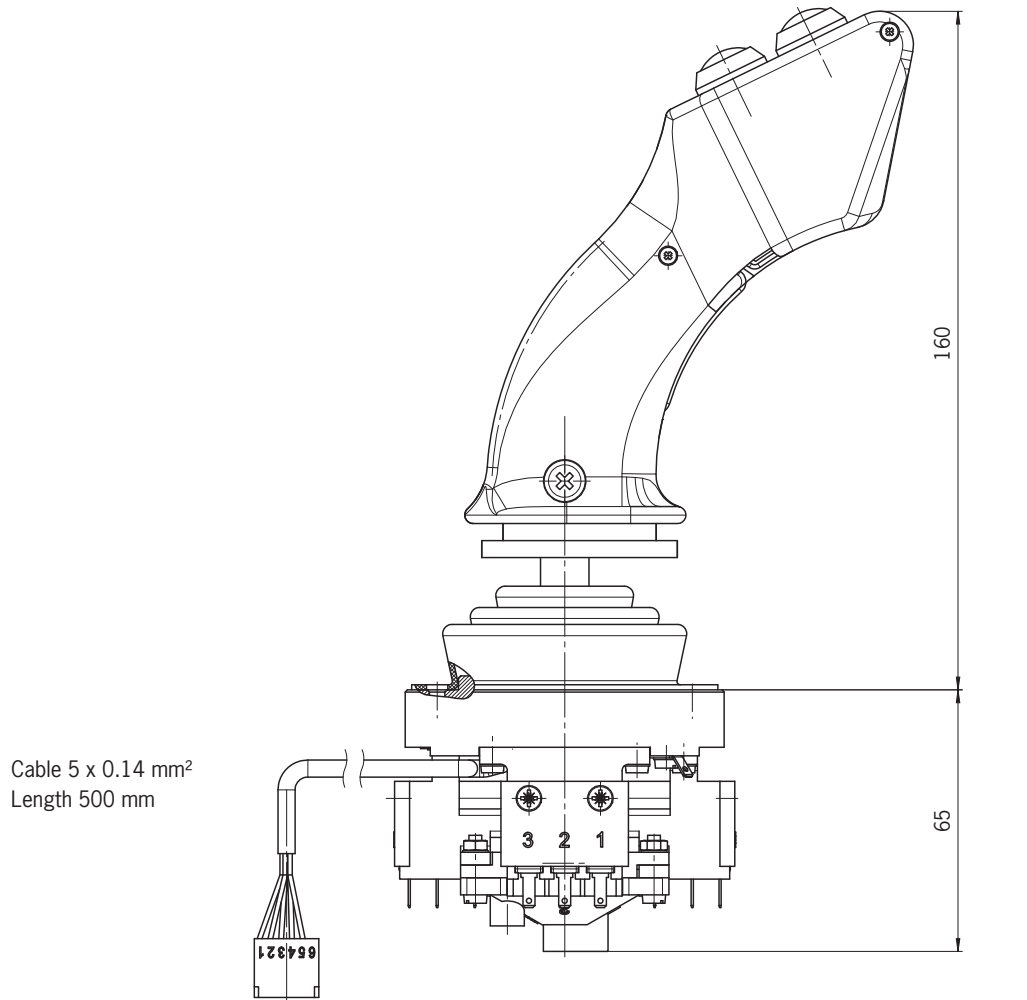
| Item         | Order no. |
|--------------|-----------|
| KCA...P188V1 | 105727    |





## Joystick switch series KC with special handle

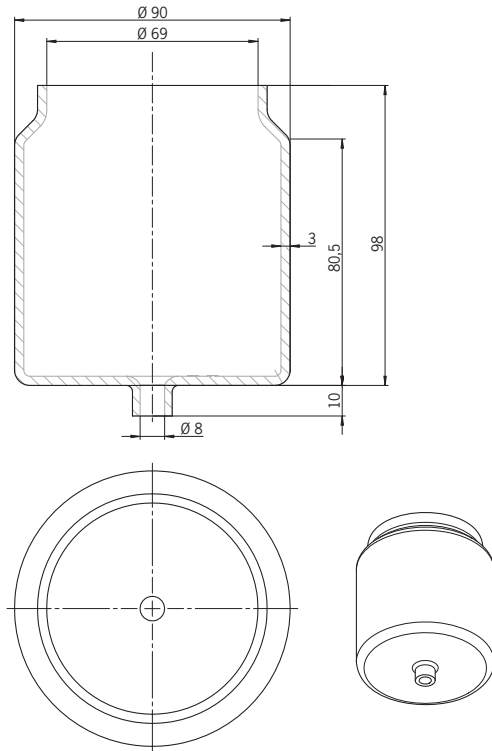
| Item           | Order no. |
|----------------|-----------|
| KC...DP189/195 | 105798    |



## Accessories

Protective bellow for joystick switch series WE and series KC

| Item             | Order no. |
|------------------|-----------|
| PVC-P 60 Shore A | 093806    |



---

A series of 30 horizontal grey bars, evenly spaced, intended for writing notes. The bars span the width of the page, leaving a small margin on the left and right.

# Representatives

## International

### Austria

EUCHNER GmbH  
Süddruckgasse 4  
2512 Tribuswinkel  
Tel. +43 2252 42191  
Fax +43 2252 45225  
info@euchner.at

### Benelux

EUCHNER (BENELUX) BV  
Visschersbuurt 23  
3356 AE Papendrecht  
Tel. +31 78 615-4766  
Fax +31 78 615-4311  
info@euchner.nl

### Brazil

EUCHNER Ltda  
Av. Prof. Luiz Ignácio Anhaia Mello,  
no. 4387  
Vila Ema  
São Paulo - SP - Brasil  
CEP 03295-000  
Tel. +55 11 29182200  
Fax +55 11 23010613  
euchner@euchner.com.br

### Canada

IAC & Associates Inc.  
2105 Fasan Drive  
Oldcastle, ON NOR 1L0  
Tel. +1 519 737-0311  
Fax +1 519 737-0314  
sales@iacnassociates.com

### China

EUCHNER (Shanghai)  
Trading Co., Ltd.  
No. 15 building,  
No. 68 Zhongchuang Road,  
Songjiang  
Shanghai, 201613, P.R.C  
Tel. +86 21 5774-7090  
Fax +86 21 5774-7599  
info@euchner.com.cn

### Czech Republic

EUCHNER electric s.r.o.  
Videňská 134/102  
61900 Brno  
Tel. +420 533 443-150  
Fax +420 533 443-153  
info@euchner.cz

### Denmark

Duelco A/S  
Systemvej 8 - 10  
9200 Aalborg SV  
Tel. +45 7010 1007  
Fax +45 7010 1008  
info@duelco.dk

### Finland

Sähkölehto Oy  
Holkkitie 14  
00880 Helsinki  
Tel. +358 9 7746420  
Fax +358 9 7591071  
office@sahkolehto.fi

### France

EUCHNER France S.A.R.L.  
Parc d'Affaires des Bellevues  
Allée Rosa Luxembourg  
Bâtiment le Colorado  
95610 ERAGNY sur OISE  
Tel. +33 1 3909-9090  
Fax +33 1 3909-9099  
info@euchner.fr

### Hungary

EUCHNER Ges.mBH  
Magyarországi Fióktelep  
FSD Park 2,  
2045 Törökbalint  
Tel. +36 2342 8374  
Fax +36 2342 8375  
info@euchner.hu

### India

EUCHNER (India) Pvt. Ltd.  
401, Bremen Business Center,  
City Survey No. 2562,  
University Road  
Aundh, Pune - 411007  
Tel. +91 20 64016384  
Fax +91 20 25885148  
info@euchner.in

### Israel

Ilan & Gavish Automation Service Ltd.  
26 Shenkar St. Qiryat Arie 49513  
P.O. Box 10118  
Petach Tikva 49001  
Tel. +972 3 9221824  
Fax +972 3 9240761  
mail@ilan-gavish.com

### Italy

TRITECNICA SpA  
Viale Lazio 26  
20135 Milano  
Tel. +39 02 541941  
Fax +39 02 55010474  
info@tritecnica.it

### Japan

EUCHNER Co., Ltd.  
1662-3 Komakiharashinden  
Komaki-shi, Aichi-ken  
485-0012, Japan  
Tel. +81 568 42 0157  
Fax +81 568 42 0159  
info@euchner.jp

### Korea

EUCHNER Korea Co., Ltd.  
115 Gasan Digital 2 - Ro  
(Gasan-dong, Daeryung  
Technotown 3rd Rm 810)  
153 - 803 Kumchon-Gu, Seoul  
Tel. +82 2 2107-3500  
Fax +82 2 2107-3999  
info@euchner.co.kr

### Mexico

EUCHNER México S de RL de CV  
Conjunto Industrial PK Co.  
Carretera Estatal 431 km. 1+300  
Ejido El Colorado, El Marqués  
76246 Querétaro, México  
Tel. +52 442 402 1485  
Fax +52 442 402 1486  
info@euchner.mx

### Poland

ELTRON  
Pl. Wolności 7B  
50-071 Wrocław  
Tel. +48 71 3439755  
Fax +48 71 3441141  
eltron@eltron.pl

### Republic of South Africa

RUBICON  
ELECTRICAL DISTRIBUTORS  
4 Reith Street, Sidwell  
6061 Port Elizabeth  
Tel. +27 41 451-4359  
Fax +27 41 451-1296  
sales@rubiconelectrical.com

### Romania

First Electric SRL  
Str. Ritmului Nr. 1 Bis  
Ap. 2, Sector 2  
021675 Bucuresti  
Tel. +40 21 2526218  
Fax +40 21 3113193  
office@firstelectric.ro

### Russia

VALEX electro  
Uliza Karjer dom 2, Str. 9, Etash 2  
117449 Moskwa  
Tel. +7 495 41196-35  
Fax +7 495 41196-36  
info@valex-electro.ru

### Singapore

Sentronics  
Automation & Marketing Pte Ltd.  
Blk 3, Ang Mo Kio Industrial Park 2A  
#05-06  
Singapore 568050  
Tel. +65 6744 8018  
Fax +65 6744 1929  
info@sentronics-asia.com

### Slovakia

EUCHNER electric s.r.o.  
Videňská 134/102  
61900 Brno  
Tel. +420 533 443-150  
Fax +420 533 443-153  
info@euchner.cz

### Slovenia

SMM proizvodni sistemi d.o.o.  
Jaskova 18  
2000 Maribor  
Tel. +386 2 4502326  
Fax +386 2 4625160  
franc.kit@smm.si

### Spain

EUCHNER, S.L.  
Gurutzegi 12 - Local 1  
Polígono Belartza  
20018 San Sebastian  
Tel. +34 943 316-760  
Fax +34 943 316-405  
info@euchner.es

### Sweden

Censit AB  
Box 331  
33123 Värnamo  
Tel. +46 370 691010  
Fax +46 370 18888  
info@censit.se

### Switzerland

EUCHNER AG  
Falknisstrasse 9a  
7320 Sargans  
Tel. +41 81 720-4590  
Fax +41 81 720-4599  
info@euchner.ch

### Taiwan

Daybreak Int'l (Taiwan) Corp.  
3F, No. 124, Chung-Cheng Road  
Shihlin 11145, Taipei  
Tel. +886 2 8866-1234  
Fax +886 2 8866-1239  
day111@ms23.hinet.net

### Turkey

EUCHNER Endüstriyel Emniyet  
Teknolojileri Ltd. Şti.  
Hattat Bahattin Sok.  
Ceylan Apt. No. 13/A  
Göztepe Mah.  
34730 Kadıköy / Istanbul  
Tel. +90 216 359-5656  
Fax +90 216 359-5660  
info@euchner.com.tr

### United Kingdom

EUCHNER (UK) Ltd.  
Unit 2 Petre Drive,  
Sheffield  
South Yorkshire  
S4 7PZ  
Tel. +44 114 2560123  
Fax +44 114 2425333  
sales@euchner.co.uk

### USA

EUCHNER USA Inc.  
6723 Lyons Street  
East Syracuse, NY 13057  
Tel. +1 315 701-0315  
Fax +1 315 701-0319  
info@euchner-usa.com

EUCHNER USA Inc.  
Detroit Office  
130 Hampton Circle  
Rochester Hills, MI 48307  
Tel. +1 248 537-1092  
Fax +1 248 537-1095  
info@euchner-usa.com

## Germany

### Augsburg

EUCHNER GmbH + Co. KG  
Ingenieur- und Vertriebsbüro  
Julius-Spokojny-Weg 8  
86153 Augsburg  
Tel. +49 821 56786540  
Fax +49 821 56786541  
peter.klopper@euchner.de

### Chemnitz

EUCHNER GmbH + Co. KG  
Ingenieur- und Vertriebsbüro  
Am Vogelherd 2  
09627 Bobritzsch-Hilbersdorf  
Tel. +49 37325 906000  
Fax +49 37325 906004  
jens.zehrtner@euchner.de

### Düsseldorf

EUCHNER GmbH + Co. KG  
Ingenieur- und Vertriebsbüro  
Tippgarten 3  
59427 Unna  
Tel. +49 2308 9337284  
Fax +49 2308 9337285  
christian.schimke@euchner.de

### Essen/Dortmund

Thomas Kreißl  
fördern - steuern - regeln  
Hackenbergweg 8a  
45133 Essen  
Tel. +49 201 84266-0  
Fax +49 201 84266-66  
info@kreissl-essen.de

### Freiburg

EUCHNER GmbH + Co. KG  
Ingenieur- und Vertriebsbüro  
Steige 5  
79206 Breisach  
Tel. +49 7664 403833  
Fax +49 7664 403834  
peter.seifert@euchner.de

### Lübeck

EUCHNER GmbH + Co. KG  
Ingenieur- und Vertriebsbüro  
Am Stadtrand 13  
23556 Lübeck  
Tel. +49 451 88048371  
Fax +49 451 88184364  
martin.pape@euchner.de

### Berlin

EUCHNER GmbH + Co. KG  
Ingenieur- und Vertriebsbüro  
Ulmenstraße 115a  
12621 Berlin  
Tel. +49 30 50508214  
Fax +49 30 56582139  
alexander.walz@euchner.de

### Nürnberg

EUCHNER GmbH + Co. KG  
Ingenieur- und Vertriebsbüro  
Steiner Straße 22a  
90522 Oberasbach  
Tel. +49 911 6693829  
Fax +49 911 6696722  
ralf.paulus@euchner.de

### Stuttgart

EUCHNER GmbH + Co. KG  
Ingenieur- und Vertriebsbüro  
Kohlhammerstraße 16  
70771 Leinfelden-Echterdingen  
Tel. +49 711 7597-0  
Fax +49 711 7597-303  
oliver.laier@euchner.de  
uwe.kupka@euchner.de

### Wiesbaden

EUCHNER GmbH + Co. KG  
Ingenieur- und Vertriebsbüro  
Adolfallee 3  
68185 Wiesbaden  
Tel. +49 611 98817644  
Fax +49 611 98895071  
giancarlo.pasquesi@euchner.de



# EUCHNER

More than safety.



### Support hotline

You have technical questions about our products or how they can be used?  
For further questions please contact your local sales representative.



### Comprehensive download area

You are looking for more information about our products?  
You can simply and quickly download operating instructions, CAD or ePLAN data and accompanying software for our products at [www.euchner.com](http://www.euchner.com).



### Customer-specific solutions

You need a specific solution or have a special requirement?  
Please contact us. We can manufacture your custom product even in small quantities.



### EUCHNER near you

You are looking for a contact at your location? Along with the headquarters in Leinfelden-Echterdingen, the worldwide sales network includes 16 subsidiaries and numerous representatives in Germany and abroad – you will definitely also find us near you.

[www.euchner.com](http://www.euchner.com)

**EUCHNER GmbH + Co. KG**

Kohlhammerstraße 16  
70771 Leinfelden-Echterdingen  
Germany  
Tel. +49 711 7597-0  
Fax +49 711 753316  
info@euchner.de  
www.euchner.com

**EUCHNER**

More than safety.