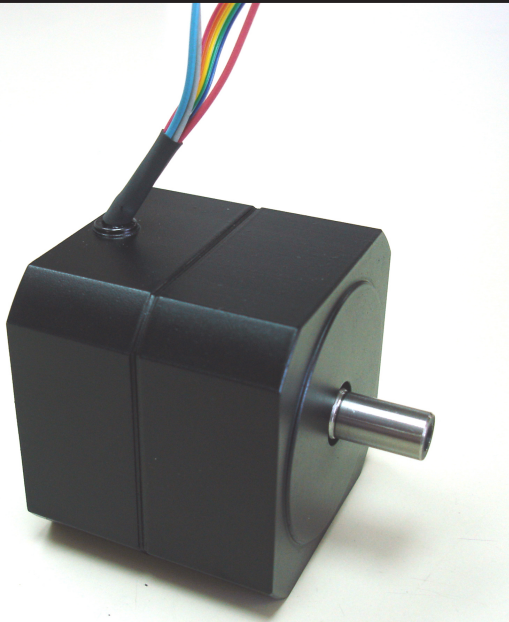


NEW

BC series



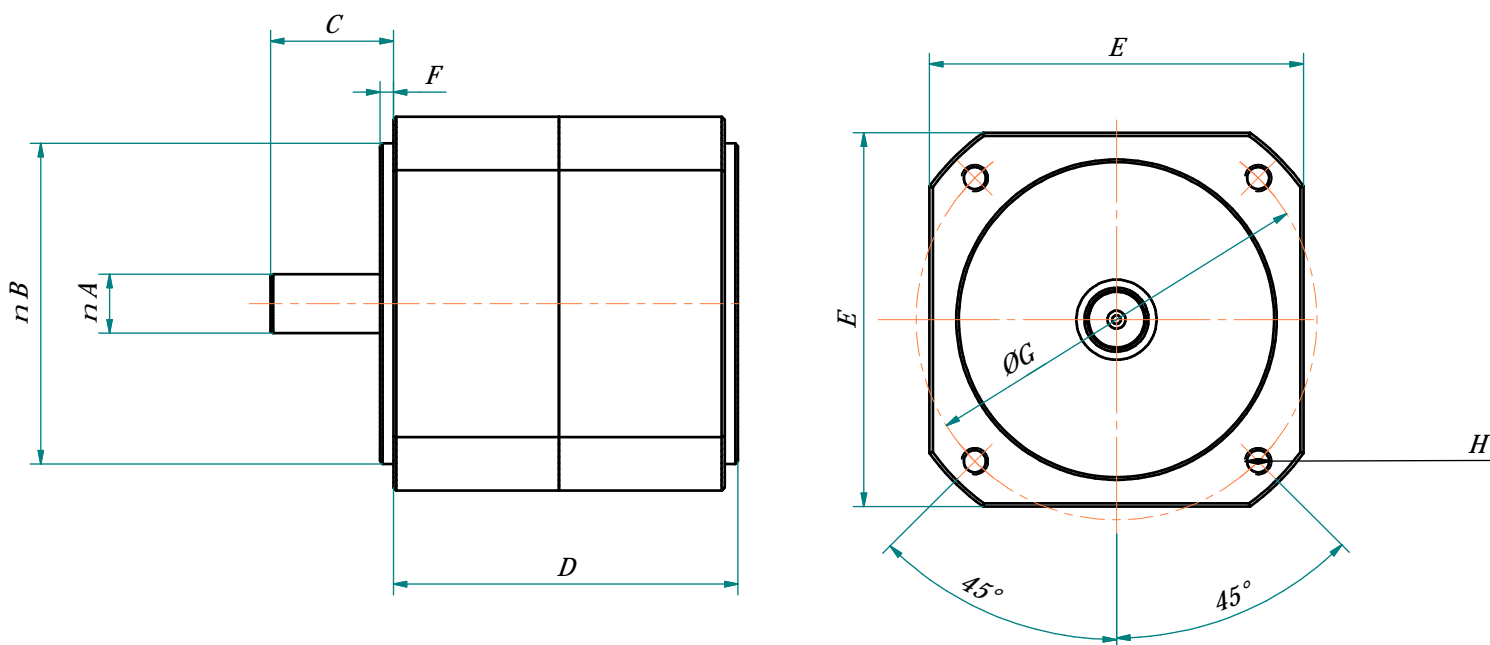
- * Compact size
- * Light
- * High speed and high torque in small dimensions
- * Hall sensor included
- * Robust

TECHNICAL SPECIFICATIONS HALL SENSORS

SUPPLY VOLTAGE	3.8...24VDC
OUTPUT ON CURRENT	20 mA
OUTPUT OFF VOLTAGE	3.8...24VDC
OPERATING JUNCTION TEMPERATURE	-40°C to+170°C
OUTPUT RISE TIME	400 ns (Max.)
OUTPUT FALL TIME	400 ns (Max.)
MAGNETIC FIELD FREQUENCY	from DC to 10kHz

EMC correponding to DIN 40839

DRAWING



MOTOR	BC-53	BC-71	BC-72	BC-73	BC-112
Max.mechanical speed (rpm)	12000	11000	11000	11000	8000
Stall torque (Nm)	0.35	0.8	1.7	2.25	4.5
Ke (Vs/rad rms)	0.2	0.22	0.28	0.4	0.48
Kt (Nm/A)	0.35	0.38	0.48	0.69	0.83
Resistance (ohm)	11.6	10.7	5.3	6.4	2.4
Inductance (mH)	11	7.4	5.4	6.4	4.8
Inertia (kgm ² 10 ⁻³)	0.008	0.026	0.05	0.07	0.37
A (ø shaft) (mm)	9	11	11	11	19
B (ø centering) (mm)	50j6	60j6	60j6	60j6	80j6
C (L shaft) (mm)	20	23	23	23	40
D (L motor) (mm)	73,5	47	65	83	114.5
E (Size) (mm)	57	70	70	70	100
F (Centering depth) (mm)	2.5	2.5	2.5	2.5	3
G (Fixing diameter) (mm)	65	75	75	75	100
H Fixing screws	4xM5	4xM5	4xM5	4xM5	4xM6

