

## Armadi SERIE OK IP55

La serie di armadi componibili OK è l'ultimo prodotto progettato da Quadralia, sintesi di soluzioni industriali innovative frutto di un engineering tecnologico all'avanguardia. Grazie al telaio completamente smontabile in Sendzimir (senza nessuna saldatura), prodotto da linee di profilatura ad altissime prestazioni, ed al giunto in zama pressofuso sviluppato da Quadralia, entrambi brevettati, la serie di armadi OK risulta un prodotto di grande flessibilità, elevate

prestazioni e qualità.

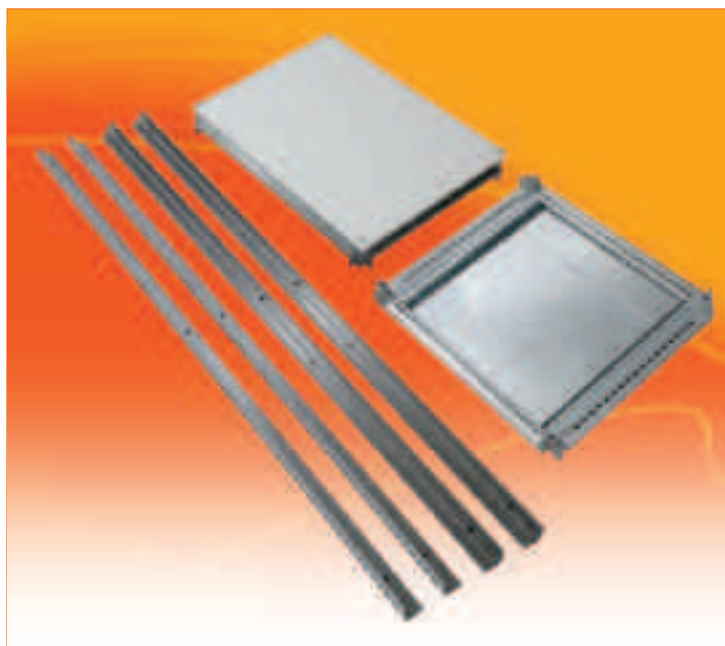
La serie di armadi OK è disponibile in due versioni: OK Basic (cod. OKB), armadio montato, e OK Kit, (cod. OKK) armadio smontato fornito in flat pack. Entrambe le versioni dispongono di un'intera gamma di accessori che permettono di configurare l'armadio per ogni esigenza dei mercati di automazione e potenza.



### Caratteristiche tecniche generali:

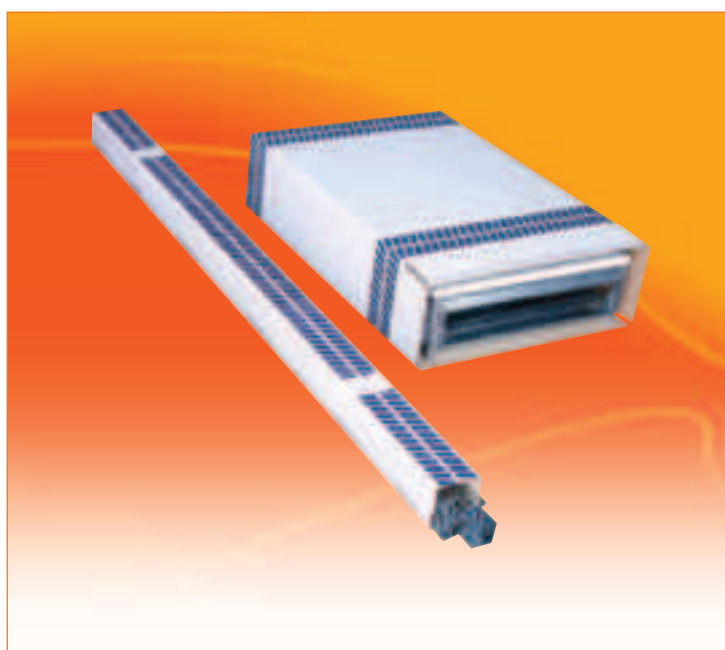
- Grado di protezione: IP55, Norma IEC, EN60529
- Grado resistenza urti: IK10, Norma IEC, EN50102
- Nema type 12: Norma CSA 22.2, 94 1 e 94 2, UL 50 e UL 50E
- Pannelli verniciati in RAL 7035 Bucciato, epossipoliestere
- Zoccolo verniciato in RAL 9005 Bucciato, epossipoliestere
- Spessore pannelli esterni 15/10
- Spessore porte 20/10
- Spessore piastra montaggio 25/10

## OK K - Armadio smontato



### Telaio fornito in kit, include:

- Set di 4 montanti
- Base pre-assemblata con flange ingresso cavi incluse
- Testata pre-assemblata con pannello asportabile
- Viteria (16 viti M8)
- Booklet istruzioni montaggio



### Confezionamento:

- 1 collo per set montanti
- 1 collo per set base e testata

### Elementi di completamento ordinabili a parte:

- Porta ..... **DBE** (pag. 18)
- Retro ..... **RPE** (pag. 19)
- Piastra interna ..... **PNA** (pag. 20)
- Coppia pannelli laterali ..... **DLK** (pag. 21)
- Zoccolo ..... **ZAK + FLK** (pagg. 22 e 23)
- Accessori

**Nota:** per le dimensioni disponibili vedasi pagg. 10-15, per dettagli dimensionali vedasi pagg. 167-170, per schede tecniche vedasi pag. 167 e seguenti

## OK Basic - Armadio montato



**Descrizione:** telaio completo e pre-assemblato, con pannello tetto asportabile, base completa di flange ingresso cavi a ghigliottina, porta cieca spessore 20/10, retro spessore 20/10, piastra di montaggio spessore 25/10

**Verniciatura:** vernice epossipoliestere RAL 7035 bucciato, telaio in Sendzimir

**Confezionamento:** 1 collo unico

**Elementi di completamento** comuni:

- Zoccolo ..... **ZAK + FLK** (pagg. 22-23)
- Coppia pannelli laterali ..... **DLK** (pag. 21)



**DTE**

**Accessori** disponibili:

- Porta trasparente **DTE** .....(pag. 24)
- Porta interna **DBI** .....(pag. 25)
- Porta laterale **FPK** .....(pag. 51)
- Pannello laterale singolo **SLK**.....(pag. 21)
- Piastra maggiorata **PMB** .....(pag. 27)
- Elementi modulari .....(pag. 38)
- Golfari sollevamento .....(pag. 121)
- Kit unione armadi .....(pag. 57)
- Altri accessori, traversini e profili , staffe etc...

**Nota:** per le dimensioni disponibili, vedasi pagg. 16-17, per dettagli dimensionali vedasi pagg. 167-172, per schede tecniche vedasi pag. 166 e seguenti.



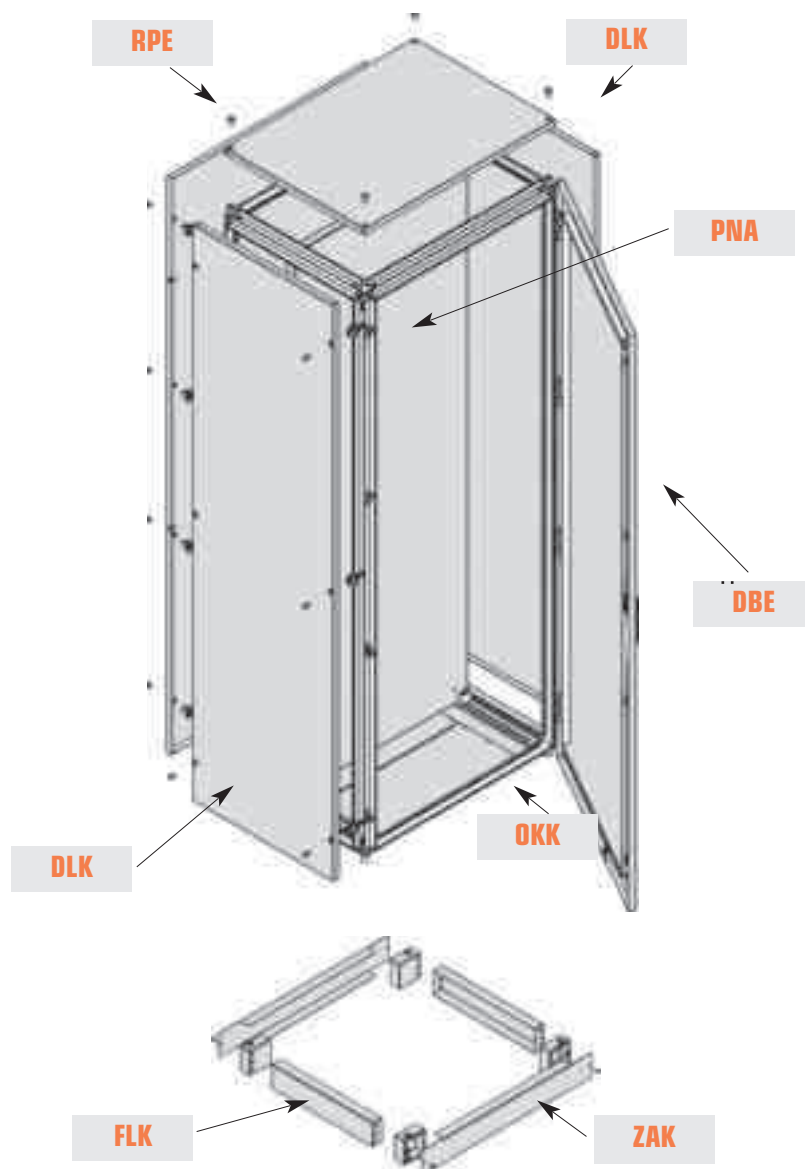
**DLK**



**ZAK**


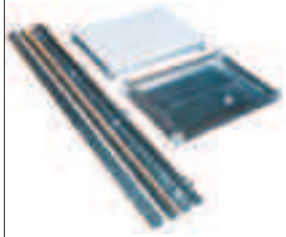

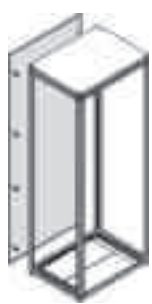
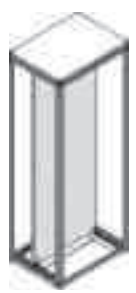
**Come ordinare un armadio OKK completo:**

OKK	Telaio smontato in flat pack
DBE	Porta cieca
RPE	Retro
PNA	Piastra
DLK	Coppia fianchi
ZAK	Zoccolo
FLK	Flange laterali zoccolo








**Esempio d'ordine:**

Armadio completo h=2000 l=800 p=600 mm:






<b>OKK2086</b>	dim. (2000 x 800 x 600) telaio completo di testata e fondo, montati + viterie
<b>DBE208</b>	dim. (2000 x 800) porta esterna cieca con kit cerniere e nottolini
<b>RPE208</b>	dim. (2000 x 800) retro avvitato completo di clips e viterie per aggancio al telaio
<b>PNA208</b>	dim. (2000 x 800) piastra interna di montaggio e relativo kit di fissaggio
<b>DLK206</b>	dim. (2000 x 600) coppia fianchi completi di clips e viterie per aggancio al telaio
<b>ZAK081</b>	dim. (800x100) zoccolo h=100mm, set nr. 4 angolari + flangia ant. e post. + viterie
<b>FLK16</b>	dim. (100 x 600) flange laterali zoccolo + viterie

DIMENSIONI	TELAIO	PORTA CIECA	RETRO	PIASTRA MONTAGGIO
				
H x L x P	Pag. 7	Pag. 18	Pag. 19	Pag. 20
1600X600X400	OKK1664	DBE166	RPE166	PNA166
1600X600X500	OKK1665	DBE166	RPE166	PNA166
1600X600X600	OKK1666	DBE166	RPE166	PNA166
1600X800X400	OKK1684	DBE168	RPE168	PNA168
1600X800X500	OKK1685	DBE168	RPE168	PNA168
1600X800X600	OKK1686	DBE168	RPE168	PNA168
1600X1000X400	OKK16A4	DBE16A	RPE16A	PNA16A
1600X1000X500	OKK16A5	DBE16A	RPE16A	PNA16A
1600X1000X600	OKK16A6	DBE16A	RPE16A	PNA16A
1600X1200X400	OKK16C4	DBE16C	RPE16C	PNA16C
1600X1200X500	OKK16C5	DBE16C	RPE16C	PNA16C
1600X1200X600	OKK16C6	DBE16C	RPE16C	PNA16C
1800X400X400	OKK1844	DBE184	RPE184	PNA184
1800X400X500	OKK1845	DBE184	RPE184	PNA184
1800X400X600	OKK1846	DBE184	RPE184	PNA184
1800X400X800	OKK1848	DBE184	RPE184	PNA184
1800X600X400	OKK1864	DBE186	RPE186	PNA186
1800X600X500	OKK1865	DBE186	RPE186	PNA186
1800X600X600	OKK1866	DBE186	RPE186	PNA186
1800X600X800	OKK1868	DBE186	RPE186	PNA186
1800X800X400	OKK1884	DBE188	RPE188	PNA188
1800X800X500	OKK1885	DBE188	RPE188	PNA188
1800X800X600	OKK1886	DBE188	RPE188	PNA188
1800X800X800	OKK1888	DBE188	RPE188	PNA188
1800X800X1000	OKK188A	DBE188	RPE188	PNA188
1800X1000X400	OKK18A4	DBE18A	RPE18A	PNA18A
1800X1000X500	OKK18A5	DBE18A	RPE18A	PNA18A
1800X1000X600	OKK18A6	DBE18A	RPE18A	PNA18A
1800X1000X800	OKK18A8	DBE18A	RPE18A	PNA18A
1800X1000X1000	OKK18AA	DBE18A	RPE18A	PNA18A
1800X1200X400	OKK18C4	DBE18C	RPE18C	PNA18C
1800X1200X500	OKK18C5	DBE18C	RPE18C	PNA18C
1800X1200X600	OKK18C6	DBE18C	RPE18C	PNA18C
1800X1200X800	OKK18C8	DBE18C	RPE18C	PNA18C
1800X1200X1000	OKK18CA	DBE18C	RPE18C	PNA18C
1800X1400X400	OKK18D4	DBE18D	RPE18D	PNA18D
1800X1400X500	OKK18D5	DBE18D	RPE18D	PNA18D
1800X1400X600	OKK18D6	DBE18D	RPE18D	PNA18D
1800X1400X800	OKK18D8	DBE18D	RPE18D	PNA18D
1800X1600X400	OKK18E4	DBE18E	RPE18E	PNA18E
1800X1600X500	OKK18E5	DBE18E	RPE18E	PNA18E
1800X1600X600	OKK18E6	DBE18E	RPE18E	PNA18E
1800X1600X800	OKK18E8	DBE18E	RPE18E	PNA18E
2000X400X400	OKK2044	DBE204	RPE204	PNA204
2000X400X500	OKK2045	DBE204	RPE204	PNA204
2000X400X600	OKK2046	DBE204	RPE204	PNA204
2000X400X800	OKK2048	DBE204	RPE204	PNA204
2000X600X400	OKK2064	DBE206	RPE206	PNA206
2000X600X500	OKK2065	DBE206	RPE206	PNA206
2000X600X600	OKK2066	DBE206	RPE206	PNA206
2000X600X800	OKK2068	DBE206	RPE206	PNA206
2000X600X1000	OKK206A	DBE206	RPE206	PNA206


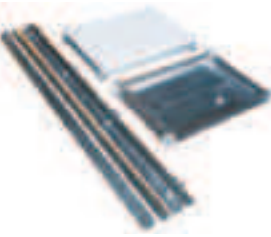



**Note:** per informazioni sulle dimensioni caratteristiche delle versioni OKK e OKB, vedasi pagg. 167-170

DIMENSIONI	COPPIA FIANCHI	ZOCCOLO H=100	ZOCCOLO H=200	COPPIA FLANGE LATERALI ZOCCOLO H=100	COPPIA FLANGE LATERALI ZOCCOLO H=200
					
H x L x P	Pag. 21	Pag. 22	Pag. 23	Pag. 22	Pag. 23
1600X600X400	DLK164	ZAK061	ZAK062	FLK14	FLK24
1600X600X500	DLK165	ZAK061	ZAK062	FLK15	FLK25
1600X600X600	DLK166	ZAK061	ZAK062	FLK16	FLK26
1600X800X400	DLK164	ZAK081	ZAK082	FLK14	FLK24
1600X800X500	DLK165	ZAK081	ZAK082	FLK15	FLK25
1600X800X600	DLK166	ZAK081	ZAK082	FLK16	FLK26
1600x1000x400	DLK164	ZAK0A1	ZAK0A2	FLK14	FLK24
1600x1000x500	DLK165	ZAK0A1	ZAK0A2	FLK15	FLK25
1600x1000x600	DLK166	ZAK0A1	ZAK0A2	FLK16	FLK26
1600X1200X400	DLK164	ZAK0C1	ZAK0C2	FLK14	FLK24
1600X1200X500	DLK165	ZAK0C1	ZAK0C2	FLK15	FLK25
1600X1200X600	DLK166	ZAK0C1	ZAK0C2	FLK16	FLK26
1800X400X400	DLK184	ZAK041	ZAK042	FLK14	FLK24
1800X400X500	DLK185	ZAK041	ZAK042	FLK15	FLK25
1800X400X600	DLK186	ZAK041	ZAK042	FLK16	FLK26
1800X400X800	DLK188	ZAK041	ZAK042	FLK18	FLK28
1800X600X400	DLK184	ZAK061	ZAK062	FLK14	FLK24
1800X600X500	DLK185	ZAK061	ZAK062	FLK15	FLK25
1800X600X600	DLK186	ZAK061	ZAK062	FLK16	FLK26
1800X600X800	DLK188	ZAK061	ZAK062	FLK18	FLK28
1800X800X400	DLK184	ZAK081	ZAK082	FLK14	FLK24
1800X800X500	DLK185	ZAK081	ZAK082	FLK15	FLK25
1800X800X600	DLK186	ZAK081	ZAK082	FLK16	FLK26
1800X800X800	DLK188	ZAK081	ZAK082	FLK18	FLK28
1800X800X1000	DLK18A	ZAK081	ZAK082	FLK1A	FLK2A
1800X1000X400	DLK184	ZAK0A1	ZAK0A2	FLK14	FLK24
1800X1000X500	DLK185	ZAK0A1	ZAK0A2	FLK15	FLK25
1800X1000X600	DLK186	ZAK0A1	ZAK0A2	FLK16	FLK26
1800X1000X800	DLK188	ZAK0A1	ZAK0A2	FLK18	FLK28
1800X1000X1000	DLK18A	ZAK0A1	ZAK0A2	FLK1A	FLK2A
1800X1200X400	DLK184	ZAK0C1	ZAK0C2	FLK14	FLK24
1800X1200X500	DLK185	ZAK0C1	ZAK0C2	FLK15	FLK25
1800X1200X600	DLK186	ZAK0C1	ZAK0C2	FLK16	FLK26
1800X1200X800	DLK188	ZAK0C1	ZAK0C2	FLK18	FLK28
1800X1200X1000	DLK18A	ZAK0C1	ZAK0C2	FLK1A	FLK2A
1800X1400X400	DLK184	ZAK0D1	ZAK0D2	FLK14	FLK24
1800X1400X500	DLK185	ZAK0D1	ZAK0D2	FLK15	FLK25
1800X1400X600	DLK186	ZAK0D1	ZAK0D2	FLK16	FLK26
1800X1400X800	DLK188	ZAK0D1	ZAK0D2	FLK18	FLK28
1800X1600X400	DLK184	ZAK0E1	ZAK0E2	FLK14	FLK24
1800X1600X500	DLK185	ZAK0E1	ZAK0E2	FLK15	FLK25
1800X1600X600	DLK186	ZAK0E1	ZAK0E2	FLK16	FLK26
1800X1600X800	DLK188	ZAK0E1	ZAK0E2	FLK18	FLK28
2000X400X400	DLK204	ZAK041	ZAK042	FLK14	FLK24
2000X400X500	DLK205	ZAK041	ZAK042	FLK15	FLK25
2000X400X600	DLK206	ZAK041	ZAK042	FLK16	FLK26
2000X400X800	DLK208	ZAK041	ZAK042	FLK18	FLK28
2000X600X400	DLK204	ZAK061	ZAK062	FLK14	FLK24
2000X600X500	DLK205	ZAK061	ZAK062	FLK15	FLK25
2000X600X600	DLK206	ZAK061	ZAK062	FLK16	FLK26
2000X600X800	DLK208	ZAK061	ZAK062	FLK18	FLK28
2000X600X1000	DLK20A	ZAK061	ZAK062	FLK1A	FLK2A

**Note:** per informazioni sulle dimensioni caratteristiche delle versioni OKK e OKB, vedasi pagg. 167-170


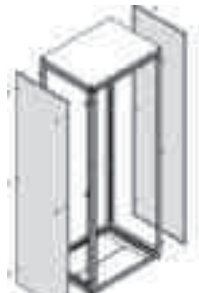




DIMENSIONI	PORTA TRASPARENTE	PORTA INTERNA	PIASTRA MAGGIORATA	FASCIA UNIONE PIASTRE
				
H x L x P	Pag. 24	Pag. 25	Pag. 27	Pag. 28
1600X600X400	DTE166	DBI166	PMB166	FUP160
1600X600X500	DTE166	DBI166	PMB166	FUP168
1600X600X600	DTE166	DBI166	PMB166	FUP168
1600X800X400	DTE168	DBI168	PMB168	FUP168
1600X800X500	DTE168	DBI168	PMB168	FUP168
1600X800X600	DTE168	DBI168	PMB168	FUP168
1600X1000X400	DTE16A	DBI16A	PMB16A	FUP168
1600X1000X500	DTE16A	DBI16A	PMB16A	FUP168
1600X1000X600	DTE16A	DBI16A	PMB16A	FUP168
1600X1200X400	DTE16C	DBI16C	PMB16C	FUP168
1600X1200X500	DTE16C	DBI16C	PMB16C	FUP168
1600X1200X600	DTE16C	DBI16C	PMB16C	FUP168
1800X400X400			PMB184	FUP188
1800X400X500			PMB184	FUP188
1800X400X600			PMB184	FUP180
1800X400X800			PMB184	FUP180
1800X600X400	DTE186	DBI186	PMB186	FUP180
1800X600X500	DTE186	DBI186	PMB186	FUP188
1800X600X600	DTE186	DBI186	PMB186	FUP188
1800X600X800	DTE186	DBI186	PMB186	FUP188
1800X800X400	DTE188	DBI188	PMB188	FUP188
1800X800X500	DTE188	DBI188	PMB188	FUP188
1800X800X600	DTE188	DBI188	PMB188	FUP188
1800X800X800	DTE188	DBI188	PMB188	FUP188
1800X800X1000	DTE188	DBI188	PMB188	FUP188
1800X1000X400	DTE18A	DBI18A	PMB18A	FUP188
1800X1000X500	DTE18A	DBI18A	PMB18A	FUP188
1800X1000X600	DTE18A	DBI18A	PMB18A	FUP188
1800X1000X800	DTE18A	DBI18A	PMB18A	FUP188
1800X1000X1000	DTE18A	DBI18A	PMB18A	FUP188
1800X1200X400	DTE18C	DBI18C	PMB18C	FUP188
1800X1200X500	DTE18C	DBI18C	PMB18C	FUP188
1800X1200X600	DTE18C	DBI18C	PMB18C	FUP188
1800X1200X800	DTE18C	DBI18C	PMB18C	FUP188
1800X1200X1000	DTE18C	DBI18C	PMB18C	FUP188
1800X1400X400			PMB18D	FUP188
1800X1400X500			PMB18D	FUP188
1800X1400X600			PMB18D	FUP188
1800X1400X800			PMB18D	FUP188
1800X1600X400	DTE18E		PMB18E	FUP188
1800X1600X500	DTE18E		PMB18E	FUP188
1800X1600X600	DTE18E		PMB18E	FUP188
1800X1600X800	DTE18E		PMB18E	FUP188
2000X400X400			PMB204	FUP208
2000X400X500			PMB204	FUP208
2000X400X600			PMB204	FUP208
2000X400X800			PMB204	FUP200
2000X600X400	DTE206	DBI206	PMB206	FUP200
2000X600X500	DTE206	DBI206	PMB206	FUP208
2000X600X600	DTE206	DBI206	PMB206	FUP208
2000X600X800	DTE206	DBI206	PMB206	FUP208
2000X600X1000	DTE206	DBI206	PMB206	FUP208

**Note:** per informazioni sulle dimensioni caratteristiche delle versioni OKK e OKB, vedasi pagg. 166-170






DIMENSIONI	TETTO, FONDO E MONTANTI	PORTA CIECA	RETRO	PIASTRA MONTAGGIO
				
H x L x P	Pag. 24	Pag. 25	Pag. 27	Pag. 28
2000X800X400	OKK2084	DBE208	RPE208	PNA208
2000X800X500	OKK2085	DBE208	RPE208	PNA208
2000X800X600	OKK2086	DBE208	RPE208	PNA208
2000X800X800	OKK2088	DBE208	RPE208	PNA208
2000X800X1000	OKK208A	DBE208	RPE208	PNA208
2000X1000X400	OKK20A4	DBE20A	RPE20A	PNA20A
2000X1000X500	OKK20A5	DBE20A	RPE20A	PNA20A
2000X1000X600	OKK20A6	DBE20A	RPE20A	PNA20A
2000X1000X800	OKK20A8	DBE20A	RPE20A	PNA20A
2000X1000X1000	OKK20AA	DBE20A	RPE20A	PNA20A
2000X1200X400	OKK20C4	DBE20C	RPE20C	PNA20C
2000X1200X500	OKK20C5	DBE20C	RPE20C	PNA20C
2000X1200X600	OKK20C6	DBE20C	RPE20C	PNA20C
2000X1200X800	OKK20C8	DBE20C	RPE20C	PNA20C
2000X1200X1000	OKK20CA	DBE20C	RPE20C	PNA20C
2000X1400X400	OKK20D4	DBE20D	RPE20D	PNA20D
2000X1400X500	OKK20D5	DBE20D	RPE20D	PNA20D
2000X1400X600	OKK20D6	DBE20D	RPE20D	PNA20D
2000X1400X800	OKK20D8	DBE20D	RPE20D	PNA20D
2000X1600X400	OKK20E4	DBE20E	RPE20E	PNA20E
2000X1600X500	OKK20E5	DBE20E	RPE20E	PNA20E
2000X1600X600	OKK20E6	DBE20E	RPE20E	PNA20E
2000X1600X800	OKK20E8	DBE20E	RPE20E	PNA20E
2200X600X400	OKK2264	DBE226	RPE226	PNA226
2200X600X500	OKK2265	DBE226	RPE226	PNA226
2200X600X600	OKK2266	DBE226	RPE226	PNA226
2200X600X800	OKK2268	DBE226	RPE226	PNA226
2200X600X1000	OKK226A	DBE226	RPE226	PNA226
2200X800X400	OKK2284	DBE228	RPE228	PNA228
2200X800X500	OKK2285	DBE228	RPE228	PNA228
2200X800X600	OKK2286	DBE228	RPE228	PNA228
2200X800X800	OKK2288	DBE228	RPE228	PNA228
2200X800X1000	OKK228A	DBE228	RPE228	PNA228
2200X1000X400	OKK22A4	DBE22A	RPE22A	PNA22A
2200X1000X500	OKK22A5	DBE22A	RPE22A	PNA22A
2200X1000X600	OKK22A6	DBE22A	RPE22A	PNA22A
2200X1000X800	OKK22A8	DBE22A	RPE22A	PNA22A
2200X1000X1000	OKK22AA	DBE22A	RPE22A	PNA22A
2200X1200X400	OKK22C4	DBE22C	RPE22C	PNA22C
2200X1200X500	OKK22C5	DBE22C	RPE22C	PNA22C
2200X1200X600	OKK22C6	DBE22C	RPE22C	PNA22C
2200X1200X800	OKK22C8	DBE22C	RPE22C	PNA22C
2200X1200X1000	OKK22CA	DBE22C	RPE22C	PNA22C
2200X1400X500	OKK22D5	DBE22D	RPE22D	PNA22D
2200X1400X600	OKK22D6	DBE22D	RPE22D	PNA22D
2200X1400X800	OKK22D8	DBE22D	RPE22D	PNA22D
2200X1600X500	OKK22E5	DBE22E	RPE22E	PNA22E
2200X1600X600	OKK22E6	DBE22E	RPE22E	PNA22E
2200X1600X800	OKK22E8	DBE22E	RPE22E	PNA22E

**Note:** per informazioni sulle dimensioni caratteristiche delle versioni OKK e OKB, vedasi pagg. 166-170





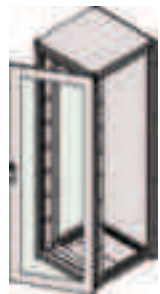


DIMENSIONI	COPPIA FIANCHI	ZOCCOLO H=100	ZOCCOLO H=200	COPPIA FLANGE LATERALI ZOCCOLO H=100	COPPIA FLANGE LATERALI ZOCCOLO H=200
					
H x L x P	Pag. 21	Pag. 22	Pag. 23	Pag. 22	Pag. 23
2000X800X400	DLK204	ZAK081	ZAK082	FLK14	FLK24
2000X800X500	DLK205	ZAK081	ZAK082	FLK15	FLK25
2000X800X600	DLK206	ZAK081	ZAK082	FLK16	FLK26
2000X800X800	DLK208	ZAK081	ZAK082	FLK18	FLK28
2000X800X1000	DLK20A	ZAK081	ZAK082	FLK1A	FLK2A
2000X1000X400	DLK204	ZAK0A1	ZAK0A2	FLK14	FLK24
2000X1000X500	DLK205	ZAK0A1	ZAK0A2	FLK15	FLK25
2000X1000X600	DLK206	ZAK0A1	ZAK0A2	FLK16	FLK26
2000X1000X800	DLK208	ZAK0A1	ZAK0A2	FLK18	FLK28
2000X1000X1000	DLK20A	ZAK0A1	ZAK0A2	FLK1A	FLK2A
2000X1200X400	DLK204	ZAK0C1	ZAK0C2	FLK14	FLK24
2000X1200X500	DLK205	ZAK0C1	ZAK0C2	FLK15	FLK25
2000X1200X600	DLK206	ZAK0C1	ZAK0C2	FLK16	FLK26
2000X1200X800	DLK208	ZAK0C1	ZAK0C2	FLK18	FLK28
2000X1200X1000	DLK20A	ZAK0C1	ZAK0C2	FLK1A	FLK2A
2000X1400X400	DLK204	ZAK0D1	ZAK0D2	FLK14	FLK24
2000X1400X500	DLK205	ZAK0D1	ZAK0D2	FLK15	FLK25
2000X1400X600	DLK206	ZAK0D1	ZAK0D2	FLK16	FLK26
2000X1400X800	DLK208	ZAK0D1	ZAK0D2	FLK18	FLK28
2000X1600X400	DLK204	ZAK0E1	ZAK0E2	FLK14	FLK24
2000X1600X500	DLK205	ZAK0E1	ZAK0E2	FLK15	FLK25
2000X1600X600	DLK206	ZAK0E1	ZAK0E2	FLK16	FLK26
2000X1600X800	DLK208	ZAK0E1	ZAK0E2	FLK18	FLK28
2200X600X400	DLK224	ZAK061	ZAK062	FLK14	FLK24
2200X600X500	DLK225	ZAK061	ZAK062	FLK15	FLK25
2200X600X600	DLK226	ZAK061	ZAK062	FLK16	FLK26
2200X600X800	DLK228	ZAK061	ZAK062	FLK18	FLK28
2200X600X1000	DLK22A	ZAK061	ZAK062	FLK1A	FLK2A
2200X800X400	DLK224	ZAK081	ZAK082	FLK14	FLK24
2200X800X500	DLK225	ZAK081	ZAK082	FLK15	FLK25
2200X800X600	DLK226	ZAK081	ZAK082	FLK16	FLK26
2200X800X800	DLK228	ZAK081	ZAK082	FLK18	FLK28
2200X800X1000	DLK22A	ZAK081	ZAK082	FLK1A	FLK2A
2200X1000X400	DLK224	ZAK0A1	ZAK0A2	FLK14	FLK24
2200X1000X500	DLK225	ZAK0A1	ZAK0A2	FLK15	FLK25
2200X1000X600	DLK226	ZAK0A1	ZAK0A2	FLK16	FLK26
2200X1000X800	DLK228	ZAK0A1	ZAK0A2	FLK18	FLK28
2200X1000X1000	DLK22A	ZAK0A1	ZAK0A2	FLK1A	FLK2A
2200X1200X400	DLK224	ZAK0C1	ZAK0C2	FLK14	FLK24
2200X1200X500	DLK225	ZAK0C1	ZAK0C2	FLK15	FLK25
2200X1200X600	DLK226	ZAK0C1	ZAK0C2	FLK16	FLK26
2200X1200X800	DLK228	ZAK0C1	ZAK0C2	FLK18	FLK28
2200X1200X1000	DLK22A	ZAK0C1	ZAK0C2	FLK1A	FLK2A
2200X1400X500	DLK225	ZAK0D1	ZAK0D2	FLK15	FLK25
2200X1400X600	DLK226	ZAK0D1	ZAK0D2	FLK16	FLK26
2200X1400X800	DLK228	ZAK0D1	ZAK0D2	FLK18	FLK28
2200X1600X500	DLK225	ZAK0E1	ZAK0E2	FLK15	FLK25
2200X1600X600	DLK226	ZAK0E1	ZAK0E2	FLK16	FLK26
2200X1600X800	DLK228	ZAK0E1	ZAK0E2	FLK18	FLK28






**Note:** per informazioni sulle dimensioni caratteristiche delle versioni OKK e OKB, vedasi pagg. 166-170

DIMENSIONI	PORTA TRASPARENTE	PORTA INTERNA	PIASTRA MAGGIORATA	FASCIA UNIONE PIASTRE
				
H x L x P	Pag. 24	Pag. 25	Pag. 27	Pag. 28
2000X800X400	DTE208	DBI208	PMB208	FUP208
2000X800X500	DTE208	DBI208	PMB208	FUP208
2000X800X600	DTE208	DBI208	PMB208	FUP208
2000X800X800	DTE208	DBI208	PMB208	FUP208
2000X800X1000	DTE208	DBI208	PMB208	FUP208
2000X1000X400	DTE20A	DBI20A	PMB20A	FUP208
2000X1000X500	DTE20A	DBI20A	PMB20A	FUP208
2000X1000X600	DTE20A	DBI20A	PMB20A	FUP208
2000X1000X800	DTE20A	DBI20A	PMB20A	FUP208
2000X1000X1000	DTE20A	DBI20A	PMB20A	FUP208
2000X1200X400	DTE20C	DBI20C	PMB20C	FUP208
2000X1200X500	DTE20C	DBI20C	PMB20C	FUP208
2000X1200X600	DTE20C	DBI20C	PMB20C	FUP208
2000X1200X800	DTE20C	DBI20C	PMB20C	FUP208
2000X1200X1000	DTE20C	DBI20C	PMB20C	FUP208
2000X1400X400			PMB20D	FUP208
2000X1400X500			PMB20D	FUP208
2000X1400X600			PMB20D	FUP208
2000X1400X800			PMB20D	FUP208
2000X1600X400	DTE20E	DBI20E	PMB20E	FUP208
2000X1600X500	DTE20E	DBI20E	PMB20E	FUP208
2000X1600X600	DTE20E	DBI20E	PMB20E	FUP208
2000X1600X800	DTE20E	DBI20E	PMB20E	FUP208
2200X600X400	DTE226	DBI226	PMB226	FUP228
2200X600X500	DTE226	DBI226	PMB226	FUP228
2200X600X600	DTE226	DBI226	PMB226	FUP228
2200X600X800	DTE226	DBI226	PMB226	FUP228
2200X600X1000	DTE226	DBI226	PMB226	FUP228
2200X800X400	DTE228	DBI228	PMB228	FUP228
2200X800X500	DTE228	DBI228	PMB228	FUP228
2200X800X600	DTE228	DBI228	PMB228	FUP228
2200X800X800	DTE228	DBI228	PMB228	FUP228
2200X800X1000	DTE228	DBI228	PMB228	FUP228
2200X1000X400	DTE22A	DBI22A	PMB22A	FUP228
2200X1000X500	DTE22A	DBI22A	PMB22A	FUP228
2200X1000X600	DTE22A	DBI22A	PMB22A	FUP228
2200X1000X800	DTE22A	DBI22A	PMB22A	FUP228
2200X1000X1000	DTE22A	DBI22A	PMB22A	FUP228
2200X1200X400	DTE22C	DBI22C	PMB22C	FUP228
2200X1200X500	DTE22C	DBI22C	PMB22C	FUP228
2200X1200X600	DTE22C	DBI22C	PMB22C	FUP228
2200X1200X800	DTE22C	DBI22C	PMB22C	FUP228
2200X1200X1000	DTE22C	DBI22C	PMB22C	FUP228
2200X1400X500			PMB22D	FUP228
2200X1400X600			PMB22D	FUP228
2200X1400X800			PMB22D	FUP228
2200X1600X500	DTE22E		PMB22E	FUP228
2200X1600X600	DTE22E		PMB22E	FUP228
2200X1600X800	DTE22E		PMB22E	FUP228

**Note:** per informazioni sulle dimensioni caratteristiche delle versioni OKK e OKB, vedasi pagg. 166-170

DIMENSIONI	TELAIO MONTATO COMPLETO DI PORTA CIECA, RETRO E PIASTRA MONTAGGIO	TELAIO MONTATO COMPLETO DI PORTA TRASPARENTE, RETRO E PIASTRA MONTAGGIO	TELAIO MONTATO COMPLETO DI PORTA TRASPARENTE, RETRO E TELAIIO RACK GIREVOLE 19"	TELAIO MONTATO COMPLETO DI PORTA TRASPARENTE, RETRO E TELAIIO INTERNO MODULARE
				
H x L x P	Pag. 8	Pag. 31	Pag. 33	Pag. 36
1600X600X400	OKB1664	OKV1664		OKD1664
1600X600X500	OKB1665	OKV1665		OKD1665
1600X600X600	OKB1666	OKV1666		OKD1666
1600X800X400	OKB1684	OKV1684		OKD1684
1600X800X500	OKB1685	OKV1685		OKD1685
1600X800X600	OKB1686	OKV1686		OKD1686
1600X1000X400	OKB16A4			
1600X1000X500	OKB16A5			
1600X1000X600	OKB16A6			
1600X1200X400	OKB16C4			
1600X1200X500	OKB16C5			
1600X1200X600	OKB16C6			
1800X400X400	OKB1844			
1800X400X500	OKB1845			
1800X400X600	OKB1846			
1800X400X800	OKB1848			
1800X600X400	OKB1864	OKV1864		OKD1864
1800X600X500	OKB1865	OKV1865		OKD1865
1800X600X600	OKB1866	OKV1866		OKD1866
1800X600X800	OKB1868	OKV1868		
1800X800X400	OKB1884	OKV1884	OKR1884	OKD1884
1800X800X500	OKB1885	OKV1885	OKR1885	OKD1885
1800X800X600	OKB1886	OKV1886	OKR1886	OKD1886
1800X800X800	OKB1888	OKV1888		
1800X800X1000	OKB188A	OKV188A		
1800X1000X400	OKB18A4	OKV18A4		
1800X1000X500	OKB18A5	OKV18A5		
1800X1000X600	OKB18A6	OKV18A6		
1800X1000X800	OKB18A8	OKV18A8		
1800X1000X1000	OKB18AA	OKV18AA		
1800X1200X400	OKB18C4	OKV18C4		
1800X1200X500	OKB18C5	OKV18C5		
1800X1200X600	OKB18C6	OKV18C6		
1800X1200X800	OKB18C8	OKV18C8		
1800X1200X1000	OKB18CA	OKV18CA		
1800X1400X400	OKB18D4			
1800X1400X500	OKB18D5			
1800X1400X600	OKB18D6			
1800X1400X800	OKB18D8			
1800X1600X400	OKB18E4			
1800X1600X500	OKB18E5			
1800X1600X600	OKB18E6			
1800X1600X800	OKB18E8			
2000X400X400	OKB2044			
2000X400X500	OKB2045			
2000X400X600	OKB2046			
2000X400X800	OKB2048			
2000X600X400	OKB2064	OKV2064		OKD2064
2000X600X500	OKB2065	OKV2065		OKD2065
2000X600X600	OKB2066	OKV2066		OKD2066
2000X600X800	OKB2068	OKV2068		OKD2068
2000X600X1000	OKB206A	OKV206A		

**Note:** Per dettagli dimensionali degli armadi OKV vedasi pag. 31, per OKR pag. 33, per OKD pag. 38

DIMENSIONI	TELAIO MONTATO COMPLETO DI PORTA CIECA, RETRO E PIASTRA MONTAGGIO	TELAIO MONTATO COMPLETO DI PORTA TRASPARENTE, RETRO E PIASTRA MONTAGGIO	TELAIO MONTATO COMPLETO DI PORTA TRASPARENTE, RETRO E TELAIIO RACK GIREVOLE 19"	TELAIO MONTATO COMPLETO DI PORTA TRASPARENTE, RETRO E TELAIIO INTERNO MODULARE
				
H x L x P	Pag. 8	Pag. 31	Pag. 33	Pag. 36
2000X800X400	OKB2084	OKV2084	OKR2084	OKD2084
2000X800X500	OKB2085	OKV2085	OKR2085	OKD2085
2000X800X600	OKB2086	OKV2086	OKR2086	OKD2086
2000X800X800	OKB2088	OKV2088	OKR2088	OKD2088
2000X800X1000	OKB208A	OKV208A		
2000X1000X400	OKB20A4	OKV20A4		
2000X1000X500	OKB20A5	OKV20A5		
2000X1000X600	OKB20A6	OKV20A6		
2000X1000X800	OKB20A8	OKV20A8		
2000X1000X1000	OKB20AA	OKV20AA		
2000X1200X400	OKB20C4	OKV20C4		
2000X1200X500	OKB20C5	OKV20C5		
2000X1200X600	OKB20C6	OKV20C6		
2000X1200X800	OKB20C8	OKV20C8		
2000X1200X1000	OKB20CA	OKV20CA		
2000X1400X400	OKB20D4			
2000X1400X500	OKB20D5			
2000X1400X600	OKB20D6			
2000X1400X800	OKB20D8			
2000X1600X400	OKB20E4	OKV20E4		
2000X1600X500	OKB20E5	OKV20E5		
2000X1600X600	OKB20E6	OKV20E6		
2000X1600X800	OKB20E8	OKV20E8		
2200X600X400	OKB2264	OKV2264		
2200X600X500	OKB2265	OKV2265		
2200X600X600	OKB2266	OKV2266		OKD2266
2200X600X800	OKB2268	OKV2268		
2200X600X1000	OKB226A	OKV226A		
2200X800X400	OKB2284	OKV2284		
2200X800X500	OKB2285	OKV2285		
2200X800X600	OKB2286	OKV2286		OKD2286
2200X800X800	OKB2288	OKV2288		
2200X800X1000	OKB228A	OKV228A		
2200X1000X400	OKB22A4	OKV22A4		
2200X1000X500	OKB22A5	OKV22A5		
2200X1000X600	OKB22A6	OKV22A6		
2200X1000X800	OKB22A8	OKV22A8		
2200X1000X1000	OKB22AA	OKV22AA		
2200X1200X400	OKB22C4	OKV22C4		
2200X1200X500	OKB22C5	OKV22C5		
2200X1200X600	OKB22C6	OKV22C6		
2200X1200X800	OKB22C8	OKV22C8		
2200X1200X1000	OKB22CA	OKV22CA		
2200X1400X500	OKB22D5			
2200X1400X600	OKB22D6			
2200X1400X800	OKB22D8			
2200X1600X500	OKB22E5			
2200X1600X600	OKB22E6			
2200X1600X800	OKB22E8			

**Note:** Per dettagli dimensionali degli armadi OKV vedasi pag. 31, per OKR pag. 33, per OKD pag. 38

## DBE - Porta cieca per armadi serie OK/AF/AS

**Descrizione:** le porte utilizzate sugli armadi serie OK sono le stesse degli armadi serie AF ed AS.

Sono costruite in lamiera di acciaio spessore 20/10, sono dotate di cerniere che consentono un angolo di apertura di 120° e la loro simmetria le rende reversibili.

La guarnizione bi-componente poliuretanic a colata continua garantisce il grado di protezione.

Le porte sono dotate internamente di un robusto telaio di rinforzo tubolare zincato con angolari in zama.

Sistema di chiusura a cariglione, doppia aletta 3mm.


**DBE**

### Il codice DBE include:

- Porta cieca verniciata in RAL 7035 bucciato, telaio interno di rinforzo con angolari in zama
- Set cerniere standard apertura 120° cod. CAP120 (pag. 126)
- Set nottolini di chiusura cod. NTL999 (pag. 127)
- Serratura standard con cariglione, chiusura doppia aletta 3 mm
- Set viterie e guarnizioni

### A richiesta:

- Kit cerniere apertura porte a 180°

### Note:

- Porte H=1200 e 1400 disponibili per armadi serie AF ed AS


**DBE in battuta**

CODICE	Dimensioni nominali		Altre dimensioni			
	H	L	C	D	E	F
DBE126	1200	600	1194	592	1021	440
DBE128	1200	800	1194	792	1021	640
DBE12A	1200	1000	1194	992	1021	340 <sup>(2)</sup>
DBE12C	1200	1200	1194	592 <sup>(2)</sup>	1021	440 <sup>(2)</sup>
DBE146	1400	600	1394	592	1221	440
DBE148	1400	800	1394	792	1221	640
DBE14A	1400	1000	1394	992	1221	340 <sup>(2)</sup>
DBE14C	1400	1200	1394	592 <sup>(2)</sup>	1221	440 <sup>(2)</sup>
DBE166	1600	600	1594	592	1421	440
DBE168	1600	800	1594	792	1421	640
DBE16A	1600	1000	1594	992	1421	340 <sup>(2)</sup>
DBE16C	1600	1200	1594	592 <sup>(2)</sup>	1421	440 <sup>(2)</sup>
DBE184	1800	400	1794	392	1621	240
DBE186	1800	600	1794	592	1621	440
DBE188	1800	800	1794	792	1621	640
DBE18A	1800	1000	1794	992	1621	340 <sup>(2)</sup>
DBE18C	1800	1200	1794	592 <sup>(2)</sup>	1621	440 <sup>(2)</sup>
DBE18D	1800	1400	1794	692 <sup>(2)</sup>	1621	540 <sup>(2)</sup>
DBE18E	1800	1600	1794	792 <sup>(2)</sup>	1621	640 <sup>(2)</sup>
DBE204	2000	400	1994	392	1821	240
DBE206	2000	600	1994	592	1821	440
DBE208	2000	800	1994	792	1821	640
DBE20A	2000	1000	1994	992	1821	340 <sup>(2)</sup>
DBE20C	2000	1200	1994	592 <sup>(2)</sup>	1821	440 <sup>(2)</sup>
DBE20D	2000	1400	1994	692 <sup>(2)</sup>	1821	540 <sup>(2)</sup>
DBE20E	2000	1600	1994	792 <sup>(2)</sup>	1821	640 <sup>(2)</sup>
DBE226	2200	600	2194	592	2021	440
DBE228	2200	800	2194	792	2021	640
DBE22A	2200	1000	2194	992	2021	340 <sup>(2)</sup>
DBE22C	2200	1200	2194	592 <sup>(2)</sup>	2021	440 <sup>(2)</sup>
DBE22D	2200	1400	2194	692 <sup>(2)</sup>	2021	540 <sup>(2)</sup>
DBE22E	2200	1600	2194	792 <sup>(2)</sup>	2021	640 <sup>(2)</sup>

CODICE	Dimensioni nominali		Altre dimensioni			
	H	L	C	D	E	F
DBE1682	1600	800	1594	392 <sup>(2)</sup>	1421	240 <sup>(2)</sup>
DBE1882	1800	800	1794	392 <sup>(2)</sup>	1621	240 <sup>(2)</sup>
DBE2082	2000	800	1994	392 <sup>(2)</sup>	1821	240 <sup>(2)</sup>
DBE2282	2200	800	2194	392 <sup>(2)</sup>	2021	240 <sup>(2)</sup>
DBE18A2	1800	1000	1794	492 <sup>(2)</sup>	1621	340 <sup>(2)</sup>
DBE20A2	2000	1000	1994	492 <sup>(2)</sup>	1821	340 <sup>(2)</sup>
DBE22A2	2200	1000	2194	492 <sup>(2)</sup>	2021	340 <sup>(2)</sup>

<sup>(2)</sup> Suffisso che indica coppie di porte in battuta

## RPE - Pannelli posteriori per armadi serie OK/AF

**Descrizione:** i pannelli posteriori degli armadi serie OK e serie AF sono costruiti in lamiera d'acciaio spessore 20/10. Hanno 8 punti di fissaggio al telaio con apposite clips a fis-

saggio rapido codice CLK013. Ogni clip è completa di relativa guarnizione a tenuta stagna e dado M6.

CODICE	Dimensioni nominali		Altre dimensioni	
	H	L	B	A
RPE126	1200	600	1194	592
RPE128	1200	800	1194	792
RPE12A	1200	1000	1194	992
RPE12C	1200	1200	1194	1192
RPE146	1400	600	1394	592
RPE148	1400	800	1394	792
RPE14A	1400	1000	1394	992
RPE14C	1400	1200	1394	1192
RPE166	1600	600	1594	592
RPE168	1600	800	1594	792
RPE16A	1600	1000	1594	992
RPE16C	1600	1200	1594	1192
RPE184	1800	400	1794	392
RPE186	1800	600	1794	592
RPE188	1800	800	1794	792
RPE18A	1800	1000	1794	992
RPE18C	1800	1200	1794	1192
RPE18D	1800	1400	1794	1392
RPE18E	1800	1600	1794	792 <sup>(2)</sup>
RPE204	2000	400	1994	392
RPE206	2000	600	1994	592
RPE208	2000	800	1994	792
RPE20A	2000	1000	1994	992
RPE20C	2000	1200	1994	1192
RPE20D	2000	1400	1994	1392
RPE20E	2000	1600	1994	792 <sup>(2)</sup>
RPE20F	2000	1800	1994	892 <sup>(2)</sup>
RPE226	2200	600	2194	592
RPE228	2200	800	2194	792
RPE22A	2200	1000	2194	992
RPE22C	2200	1200	2194	1192
RPE22D	2200	1400	2194	1392
RPE22E	2200	1600	2194	792 <sup>(2)</sup>

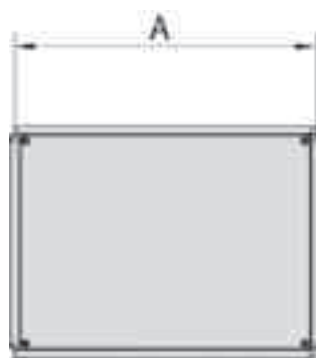
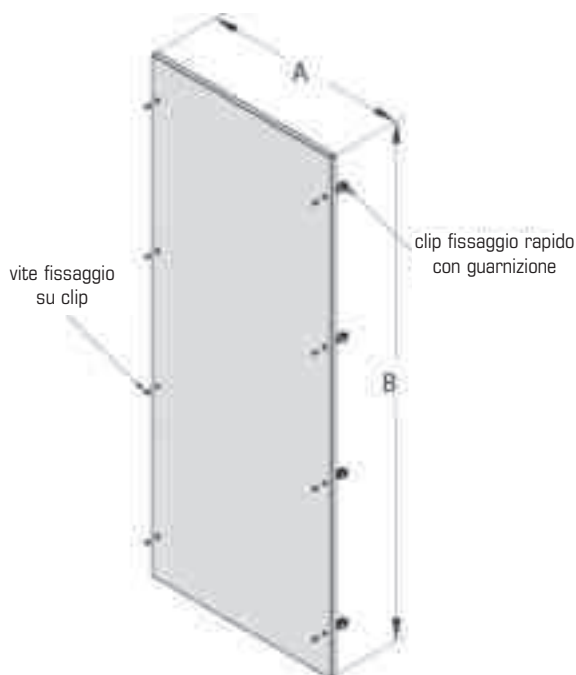
### Il codice RPE include:

- Pannello retro verniciato in RAL 7035 bucciato
- Set 8 clips fissaggio rapido cod. CLK013 (pag. 176)
- Set viterie e guarnizioni

### Notes:

- Retri H=1200 e 1400 disponibili solo per armadi serie AF;  
 - Per gli armadi L > 1400mm sono previsti due pannelli retro affiancati, con montante centrale di battuta avvitato al telaio;

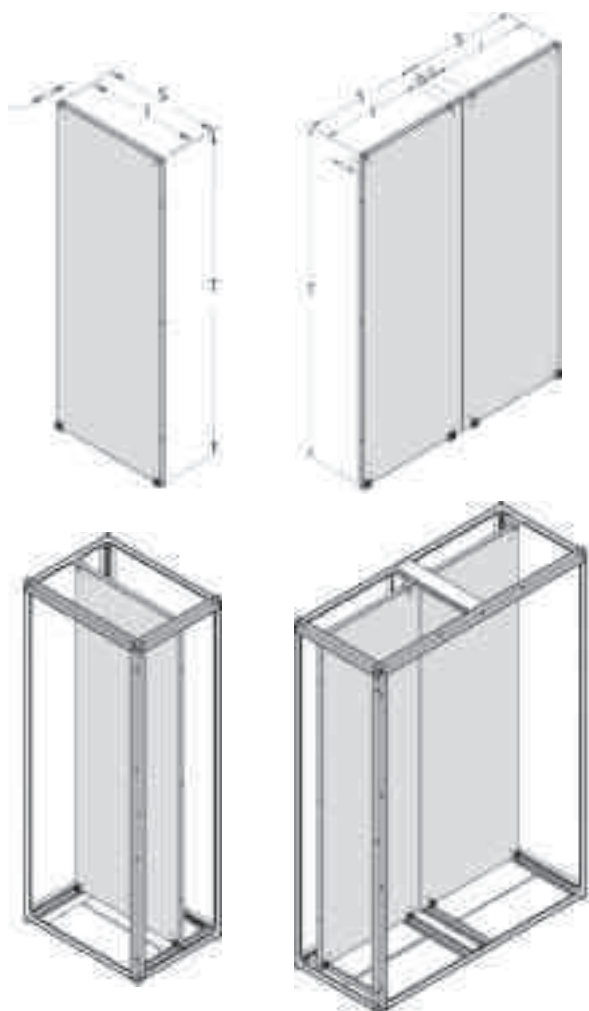
- (2) Il suffisso in tabella indica coppie di retri.



## PNA - Piastra di montaggio per armadi serie **OK/AF/AS**

**Descrizione:** Le piastre di montaggio interne degli armadi sono uguali per tutte le serie OK, AF ed AS, Sono in lamiera di acciaio Sendzimir spessore 25/10 con doppia piega di nervatura su ogni lato. Il kit di accessori per il

montaggio della piastra interna facilita l'inserzione frontale all'interno dell'armadio, e permette il posizionamento a qualsiasi profondità.


**PNA**

CODICE	Dimensioni nominali		Altre dimensioni			
	H	L	T	S	I	G
<b>PNA126</b>	<b>1200</b>	<b>600</b>	1080	490	452	-
<b>PNA128</b>	<b>1200</b>	<b>800</b>	1080	690	652	-
<b>PNA12A</b>	<b>1200</b>	<b>1000</b>	1080	890	852	-
<b>PNA12C</b>	<b>1200</b>	<b>1200</b>	1080	1090	1052	-
<b>PNA146</b>	<b>1400</b>	<b>600</b>	1280	490	452	-
<b>PNA148</b>	<b>1400</b>	<b>800</b>	1280	690	652	-
<b>PNA14A</b>	<b>1400</b>	<b>1000</b>	1280	890	852	-
<b>PNA14C</b>	<b>1400</b>	<b>1200</b>	1280	1090	1052	-
<b>PNA166</b>	<b>1600</b>	<b>600</b>	1480	490	452	-
<b>PNA168</b>	<b>1600</b>	<b>800</b>	1480	690	652	-
<b>PNA16A</b>	<b>1600</b>	<b>1000</b>	1480	890	852	-
<b>PNA16C</b>	<b>1600</b>	<b>1200</b>	1480	1090	1052	-
<b>PNA184</b>	<b>1800</b>	<b>400</b>	1680	290	252	-
<b>PNA186</b>	<b>1800</b>	<b>600</b>	1680	490	452	-
<b>PNA188</b>	<b>1800</b>	<b>800</b>	1680	690	652	-
<b>PNA18A</b>	<b>1800</b>	<b>1000</b>	1680	890	852	-
<b>PNA18C</b>	<b>1800</b>	<b>1200</b>	1680	1090	1052	-
<b>PNA18D</b>	<b>1800</b>	<b>1400</b>	1680	1290	1252	-
<b>PNA18E</b>	<b>1800</b>	<b>1600</b>	1680	749 <sup>(2)</sup>	660 <sup>(2)</sup>	67
<b>PNA204</b>	<b>2000</b>	<b>400</b>	1880	290	252	-
<b>PNA206</b>	<b>2000</b>	<b>600</b>	1880	490	452	-
<b>PNA208</b>	<b>2000</b>	<b>800</b>	1880	690	652	-
<b>PNA20A</b>	<b>2000</b>	<b>1000</b>	1880	890	852	-
<b>PNA20C</b>	<b>2000</b>	<b>1200</b>	1880	1090	1052	-
<b>PNA20D</b>	<b>2000</b>	<b>1400</b>	1880	1290	1252	-
<b>PNA20E</b>	<b>2000</b>	<b>1600</b>	1880	749 <sup>(2)</sup>	660 <sup>(2)</sup>	67
<b>PNA226</b>	<b>2200</b>	<b>600</b>	2080	490	452	-
<b>PNA228</b>	<b>2200</b>	<b>800</b>	2080	690	652	-
<b>PNA22A</b>	<b>2200</b>	<b>1000</b>	2080	890	852	-
<b>PNA22C</b>	<b>2200</b>	<b>1200</b>	2080	1090	1052	-
<b>PNA22D</b>	<b>2200</b>	<b>1400</b>	2080	1290	1252	-
<b>PNA22E</b>	<b>2200</b>	<b>1600</b>	2080	749 <sup>(2)</sup>	660 <sup>(2)</sup>	67

<sup>(2)</sup> Suffisso che indica coppie affiancate di piastre interne



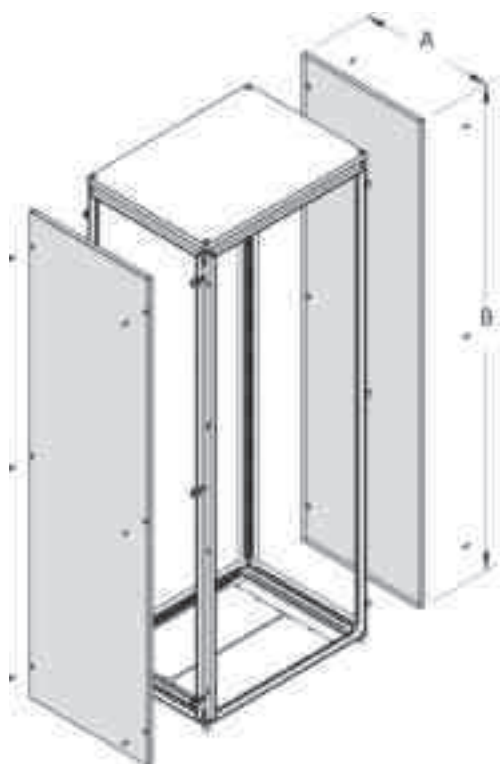
### Il codice PNA include:

- Piastra in acciaio zincato
- Set completo accessori fissaggio piastra PPK100, vedasi pag. 177

### Note:

- Ordinabile a parte il kit di arretramento piastra APK110, permette il montaggio della stessa incassata tra i montanti posteriori dell'armadio (vd. pag. 56)
- Per armadi >1.400mm la piastra viene fornita in 2 pezzi avvitabili tra loro
- Per i codici delle piastre ad inserimento laterale vedasi pag. 27

## DLK/SLK - Pannelli laterali armadi serie OK


**SLK**

CODICE	Dimensioni nominali		Altre dimensioni	
	H	L	B	A
SLK164	1600	400	1594	362
SLK165	1600	500	1594	462
SLK166	1600	600	1594	562
SLK184	1800	400	1794	362
SLK185	1800	500	1794	462
SLK186	1800	600	1794	562
SLK188	1800	800	1794	762
SLK18A	1800	1000	1794	962
SLK204	2000	400	1994	362
SLK205	2000	500	1994	462
SLK206	2000	600	1994	562
SLK208	2000	800	1994	762
SLK20A	2000	1000	1994	962
SLK224	2200	400	2194	362
SLK225	2200	500	2194	462
SLK226	2200	600	2194	562
SLK228	2200	800	2194	762
SLK22A	2200	1000	2194	962


**DLK**

CODICE	Dimensioni nominali		Altre dimensioni	
	H	L	B	A
DLK164	1600	400	1594	362
DLK165	1600	500	1594	462
DLK166	1600	600	1594	562
DLK184	1800	400	1794	362
DLK185	1800	500	1794	462
DLK186	1800	600	1794	562
DLK188	1800	800	1794	762
DLK18A	1800	1000	1794	962
DLK204	2000	400	1994	362
DLK205	2000	500	1994	462
DLK206	2000	600	1994	562
DLK208	2000	800	1994	762
DLK20A	2000	1000	1994	962
DLK224	2200	400	2194	362
DLK225	2200	500	2194	462
DLK226	2200	600	2194	562
DLK228	2200	800	2194	762
DLK22A	2200	1000	2194	962

**Descrizione:** i pannelli laterali sono forniti in confezioni singole sia nel codice SLK (pannello singolo) che nel codice DLK (coppia pannelli, imballati in 1 collo).

### Il codice SLK include:

- Pannello verniciato in RAL 7035 bucciato
- Set 6 clips fissaggio rapido cod. CLK013 (pag. 176)
- Viterie e guarnizioni

Sono costruiti in lamiera d'acciaio di spessore 15/10, verniciata, con guarnizione poliuretanicca ed hanno 6 punti di fissaggio rapido al telaio.

### Il codice DLK include:

- Pannelli verniciati in RAL 7035 bucciato
- Set 12 clips fissaggio rapido cod. CLK013 (pag.176)
- Viterie e guarnizioni



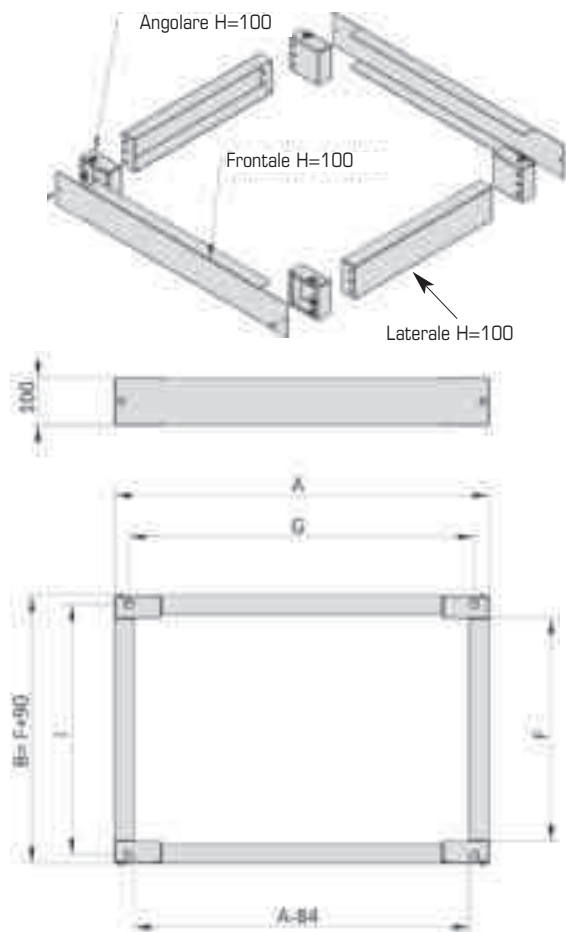
### ZAK - Zoccolo H=100 serie **OK/AF/AS** e **LEGGII**

**Descrizione:** lo zoccolo di base degli armadi h=100mm cod. ZAK, è composto da 4 robusti angolari in lamiera d'acciaio spessore 20/10, dalla flangia frontale e dalla flangia posteriore avvitata. A completamento vanno aggiunte le flange laterali h=100 mm cod. FLK. E' verniciato in RAL 9005 bucciato. Il montaggio all'armadio è facilitato grazie all'accesso frontale delle viti degli angolari.



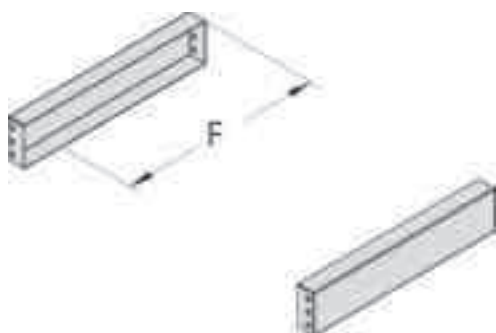
ZAK..1

CODICE	Dimensioni nominali	Altre dimensioni	
	L	A	G
ZAK041	400	398	
ZAK051	500	498	434
ZAK061	600	598	534
ZAK081	800	798	734
ZAK0A1	1000	998	934
ZAK0C1	1200	1198	1134
ZAK0D1	1400	1398	1334
ZAK0E1	1600	1598	1534



FLK..1

CODICE	Dimensioni nominali	Altre dimensioni	
	L	F	I
FLK12	200	75	134
FLK13	300	175	234
FLK14	400	275	334
FLK15	500	375	434
FLK16	600	475	534
FLK18	800	675	734
FLK1A	1000	875	934



#### Il codice ZAK include:

- Coppia di flange frontale + posteriore H=100 mm;
- Nr. 4 angolari H=100 mm;
- Set viterie.

Per il completamento dello zoccolo occorre aggiungere il codice FLK.:

#### Il codice FLK include:

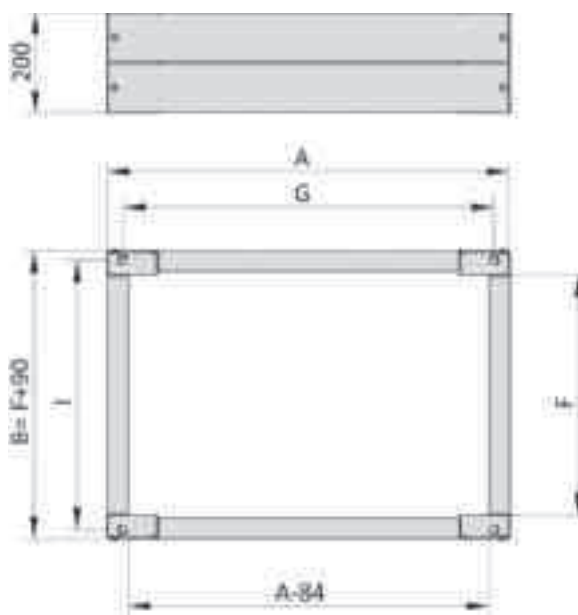
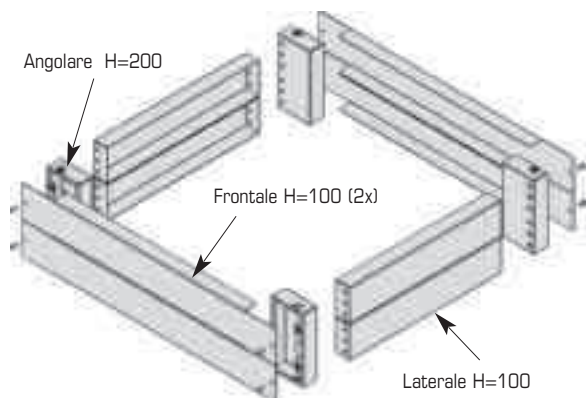
- Coppia flange laterali H=100 mm;
- Set viterie.

**Note:** lo zoccolo cod. ZAK e le flange laterali cod. FLK sono utilizzate sulla serie di armadi OK, sulla serie AF ed AS e su tutti i leggii.



## ZAK - Zoccolo H=200 serie **OK/AF/AS** e **LEGGII**

**Descrizione:** lo zoccolo di base degli armadi h=200mm cod. ZAK, è composto da 4 robusti angolari in lamiera d'acciaio spessore 20/10, dalla flangia frontale e dalla flangia posteriore avvitata. A completamento vanno aggiunte le flange laterali h=200 mm cod. FLK. E' verniciato in RAL 9005 bucciato. Il montaggio all'armadio è facilitato grazie all'accesso frontale delle viti degli angolari.



### Il codice ZAK include:

- Quattro flangie frontali H=100 mm;
- Quattro angolari H=200 mm;
- Viteria.

Per il completamento dello zoccolo occorre aggiungere il codice FLK:

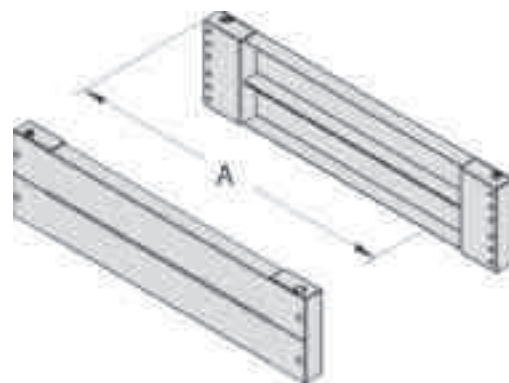
### Il codice FLK include:

- Quattro flangie laterali H=100 mm;
- Viteria.

**Note:** lo zoccolo cod. ZAK e le flange laterali cod. FLK sono utilizzate sulla serie di armadi OK, sulla serie AF ed AS e su tutti i leggii.

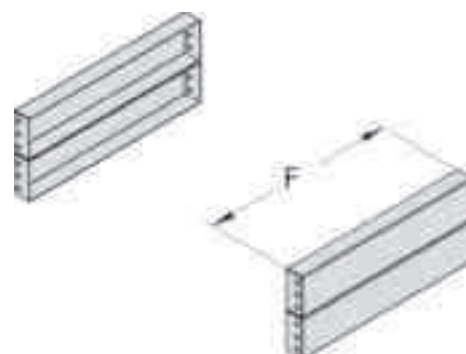
### ZAK..2

CODICE	Dimensioni nominali	Altre dimensioni	
	L	A	G
ZAK042	400	398	
ZAK052	500	498	434
ZAK062	600	598	534
ZAK082	800	798	734
ZAK0A2	1000	998	934
ZAK0C2	1200	1198	1134
ZAK0D2	1400	1398	1334
ZAK0E2	1600	1598	1534



### FLK..2

CODICE	Dimensioni nominali	Altre dimensioni	
	L	F	I
FLK22	200	75	134
FLK23	300	175	234
FLK24	400	275	334
FLK25	500	375	434
FLK26	600	475	534
FLK28	800	675	734
FLK2A	1000	875	934



**DTE - Porta trasparente per armadi serie OK/AF/AS**
**DTE singola**

CODICE	Dimensioni nominali		Altre dimensioni					
	H	L	C	G	E	F	M	N
DTE126	1200	600	1194	592	1021	440	390	1010
DTE128	1200	800	1194	792	1021	640	590	1010
DTE12A	1200	1000	1194	992	1021	840	790	1010
DTE12C	1200	1200	1194	592 <sup>(2)</sup>	1021	440 <sup>(2)</sup>	390 <sup>(2)</sup>	1010
DTE146	1400	600	1394	592	1221	440	390	1210
DTE148	1400	800	1394	792	1221	640	590	1210
DTE14A	1400	1000	1394	992	1221	840	790	1210
DTE14C	1400	1200	1394	592 <sup>(2)</sup>	1221	440 <sup>(2)</sup>	390 <sup>(2)</sup>	1210
DTE166	1600	600	1594	592	1421	440	390	1410
DTE168	1600	800	1594	792	1421	640	590	1410
DTE16A	1600	1000	1594	992	1421	840	790	1410
DTE16C	1600	1200	1594	592 <sup>(2)</sup>	1421	440 <sup>(2)</sup>	390 <sup>(2)</sup>	1410
DTE186	1800	600	1794	592	1621	440	390	1610
DTE188	1800	800	1794	792	1621	640	590	1610
DTE18A	1800	1000	1794	992	1621	840	790	1610
DTE18C	1800	1200	1794	592 <sup>(2)</sup>	1621	440 <sup>(2)</sup>	390 <sup>(2)</sup>	1610
DTE18E	1800	1600	1794	792 <sup>(2)</sup>	1621	640 <sup>(2)</sup>	590 <sup>(2)</sup>	1610
DTE206	2000	600	1994	592	1821	440	390	1810
DTE208	2000	800	1994	792	1821	640	590	1810
DTE20A	2000	1000	1994	992	1821	840	790	1810
DTE20C	2000	1200	1994	592 <sup>(2)</sup>	1821	440 <sup>(2)</sup>	390 <sup>(2)</sup>	1810
DTE20E	2000	1600	1994	792 <sup>(2)</sup>	1821	640 <sup>(2)</sup>	590 <sup>(2)</sup>	1810
DTE226	2200	600	2194	592	2021	440	390	2010
DTE228	2200	800	2194	792	2021	640	590	2010
DTE22A	2200	1000	2194	992	2021	840	790	2010
DTE22C	2200	1200	2194	592 <sup>(2)</sup>	2021	440 <sup>(2)</sup>	390 <sup>(2)</sup>	2010

**DTE in battuta**

CODICE	Dimensioni nominali		Altre dimensioni					
	H	L	C	G	E	F	M	N
DTE1282	1200	800	1194	392 <sup>(2)</sup>	1021	240 <sup>(2)</sup>	190 <sup>(2)</sup>	1010
DTE12A2	1200	1000	1194	492 <sup>(2)</sup>	1021	340 <sup>(2)</sup>	290 <sup>(2)</sup>	1010
DTE1482	1400	800	1394	392 <sup>(2)</sup>	1221	240 <sup>(2)</sup>	190 <sup>(2)</sup>	1210
DTE14A2	1400	1000	1394	492 <sup>(2)</sup>	1221	340 <sup>(2)</sup>	290 <sup>(2)</sup>	1210
DTE1682	1600	800	1594	392 <sup>(2)</sup>	1421	240 <sup>(2)</sup>	190 <sup>(2)</sup>	1410
DTE16A2	1600	1000	1594	492 <sup>(2)</sup>	1421	340 <sup>(2)</sup>	290 <sup>(2)</sup>	1410
DTE1882	1800	800	1794	392 <sup>(2)</sup>	1621	240 <sup>(2)</sup>	190 <sup>(2)</sup>	1610
DTE18A2	1800	1000	1794	492 <sup>(2)</sup>	1621	340 <sup>(2)</sup>	290 <sup>(2)</sup>	1610
DTE2082	2000	800	1994	392 <sup>(2)</sup>	1821	240 <sup>(2)</sup>	190 <sup>(2)</sup>	1810
DTE20A2	2000	1000	1994	492 <sup>(2)</sup>	1821	340 <sup>(2)</sup>	290 <sup>(2)</sup>	1810
DTE2282	2200	800	2194	392 <sup>(2)</sup>	2021	240 <sup>(2)</sup>	190 <sup>(2)</sup>	2010
DTE22A2	2200	1000	2194	492 <sup>(2)</sup>	2021	340 <sup>(2)</sup>	290 <sup>(2)</sup>	2010

<sup>(2)</sup> Suffisso che indica coppie di porte in battuta

**Descrizione:** le porte trasparenti sono adatte all'utilizzo sulla serie di armadi OK, sulla serie di armadi monoblocco AS ed AF.

Sono costruite in lamiera d'acciaio di spessore 20/10 e la loro ampia finestratura è coperta da una lastra in metacrilato (PMMA) spesso 4 mm, in conformità alle norme DIN, ASTM ed ISO per le proprietà fisiche, ottiche ed elettromeccaniche

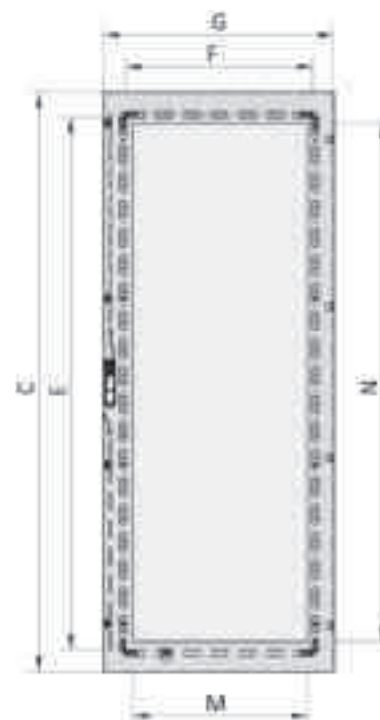
**Il codice DTE include:**

- Porta in lamiera verniciata RAL 7035 bucciato, con lastra trasparente, telaio interno di rinforzo con angolari in zama,
- Set cerniere standard 120° cod. CAP120 (vd. pag. 126)
- Set nottolini cod.NTL999 (vd. pag. 127)
- Serratura standard a cariglione, doppia aletta 3 mm.

- Viterie e guarnizioni

**Note:**

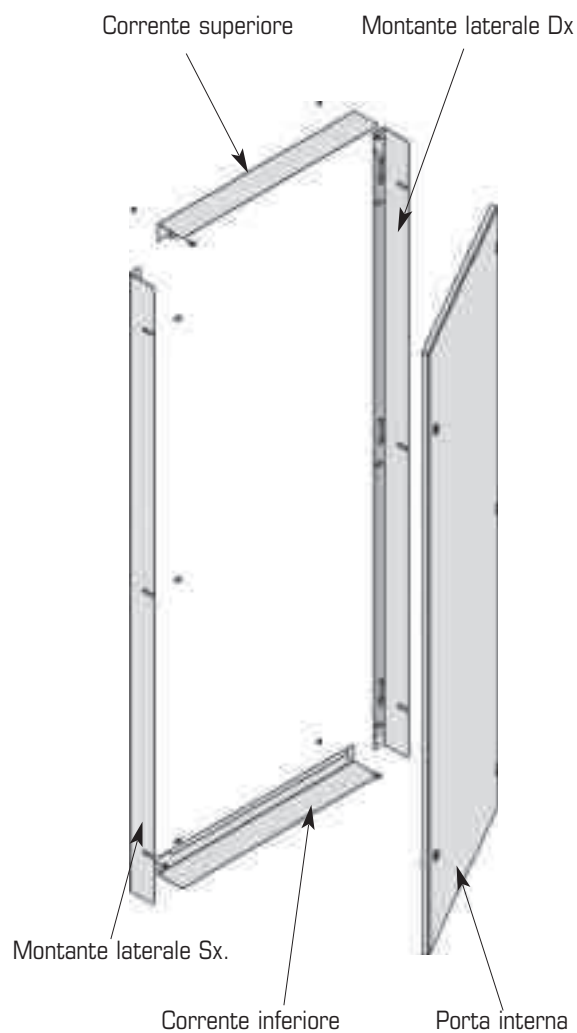
- Porte H=1200 e 1400 disponibili per armadi serie AF ed AS.
- Disponibili cerniere apertura a 180°



## DBI - Porta interna per armadi serie OK/AF

**Descrizione:** la porta interna degli armadi è fissata ad un montante che compone la struttura del sistema, avvitato al telaio dell'armadio stesso. Può garantire un grado di protezione IP44 alla sezione interna dell'armadio.

Le cerniere della porta interna permettono un'apertura di 110° e la serratura è composta da 2 box a doppia aletta 3mm, lo spessore del telaio e della porta è 20/10.



### Il codice DBI include:

- Porta interna verniciata RAL 7035 bucciato;
- Telaio fissaggio porta interna in RAL 7035 bucciato;
- Cerniere fissaggio porta interna;
- Viteria

### Note:

- La porta interna può essere regolata in profondità tramite utilizzo dei profili di scorrimento cod. PRPF (ordinabili su richiesta).

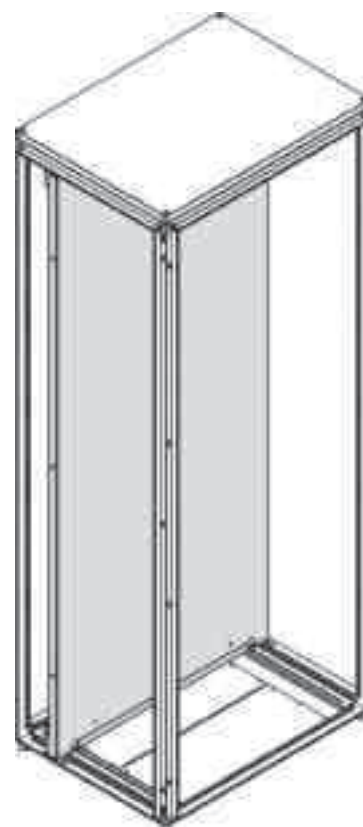
**DBI - Porta interna per armadi serie OK/AF**


CODICE	Dimensioni nominali			Altre dimensioni							
	H	L	P	A	B	C	D	T		S	
								Min.	Max.	Min.	Max.
<b>DBI126</b>	<b>1200</b>	<b>600</b>	-	423	986	1044	468	72	91	P-115	P-96
<b>DBI128</b>	<b>1200</b>	<b>800</b>	-	623	986	1044	668	72	91	P-115	P-96
<b>DBI12A</b>	<b>1200</b>	<b>1000</b>	-	823	986	1044	868	72	91	P-115	P-96
<b>DBI12C</b>	<b>1200</b>	<b>1200</b>	-	1023	986	1044	531 <sup>(2)</sup>	72	91	P-115	P-96
<b>DBI146</b>	<b>1400</b>	<b>600</b>	-	423	1186	1244	468	72	91	P-115	P-96
<b>DBI148</b>	<b>1400</b>	<b>800</b>	-	623	1186	1244	668	72	91	P-115	P-96
<b>DBI14A</b>	<b>1400</b>	<b>1000</b>	-	823	1186	1244	868	72	91	P-115	P-96
<b>DBI14C</b>	<b>1400</b>	<b>1200</b>	-	1023	1186	1244	531 <sup>(2)</sup>	72	91	P-115	P-96
<b>DBI166</b>	<b>1600</b>	<b>600</b>	-	423	1386	1444	468	72	91	P-115	P-96
<b>DBI168</b>	<b>1600</b>	<b>800</b>	-	623	1386	1444	668	72	91	P-115	P-96
<b>DBI16A</b>	<b>1600</b>	<b>1000</b>	-	823	1386	1444	868	72	91	P-115	P-96
<b>DBI16C</b>	<b>1600</b>	<b>1200</b>	-	1023	1386	1444	531 <sup>(2)</sup>	72	91	P-115	P-96
<b>DBI186</b>	<b>1800</b>	<b>600</b>	-	423	1586	1644	468	72	91	P-115	P-96
<b>DBI188</b>	<b>1800</b>	<b>800</b>	-	623	1586	1644	668	72	91	P-115	P-96
<b>DBI18A</b>	<b>1800</b>	<b>1000</b>	-	823	1586	1644	868	72	91	P-115	P-96
<b>DBI18C</b>	<b>1800</b>	<b>1200</b>	-	1023	1586	1644	531 <sup>(2)</sup>	72	91	P-115	P-96
<b>DBI18E</b>	<b>1800</b>	<b>1600</b>	-	1423	1586	1644	731 <sup>(2)</sup>	72	91	P-115	P-96
<b>DBI206</b>	<b>2000</b>	<b>600</b>	-	423	1786	1844	468	72	91	P-115	P-96
<b>DBI208</b>	<b>2000</b>	<b>800</b>	-	623	1786	1844	668	72	91	P-115	P-96
<b>DBI20A</b>	<b>2000</b>	<b>1000</b>	-	823	1786	1844	868	72	91	P-115	P-96
<b>DBI20C</b>	<b>2000</b>	<b>1200</b>	-	1023	1786	1844	531 <sup>(2)</sup>	72	91	P-115	P-96
<b>DBI20E</b>	<b>2000</b>	<b>1600</b>	-	1423	1786	1844	731 <sup>(2)</sup>	72	91	P-115	P-96
<b>DBI226</b>	<b>2200</b>	<b>600</b>	-	423	1986	2044	468	72	91	P-115	P-96
<b>DBI228</b>	<b>2200</b>	<b>800</b>	-	623	1986	2044	668	72	91	P-115	P-96
<b>DBI22A</b>	<b>2200</b>	<b>1000</b>	-	823	1986	2044	868	72	91	P-115	P-96
<b>DBI22C</b>	<b>2200</b>	<b>1200</b>	-	1023	1986	2044	531 <sup>(2)</sup>	72	91	P-115	P-96
<b>DBI22E</b>	<b>2200</b>	<b>1600</b>	-	1423	1986	2044	731 <sup>(2)</sup>	72	91	P-115	P-96

**DBI**

## PMB - Piastra maggiorata per armadi serie OK

**Descrizione:** piastra interna in lamiera zincata spessore 25/10, consente di utilizzare la massima superficie di cablaggio su tutta la larghezza dell'armadio, non è possibile l'inserimento frontale e quindi l'inserimento è laterale ed è possibile grazie alle guide superiore ed inferiore da posizionare alla profondità desiderata. Utilizzando questo sistema, nell'affiancamento di due armadi, le piastre vanno in appoggio una sull'altra, e quindi non è più necessario l'utilizzo della FUP. Le guide di inserimento laterale hanno delle apposite forature che permettono l'inserimento di apposite sfere a tazza, cod. ESF158 (disponibili su richiesta) per migliorare lo scorrimento della piastra in ingresso.



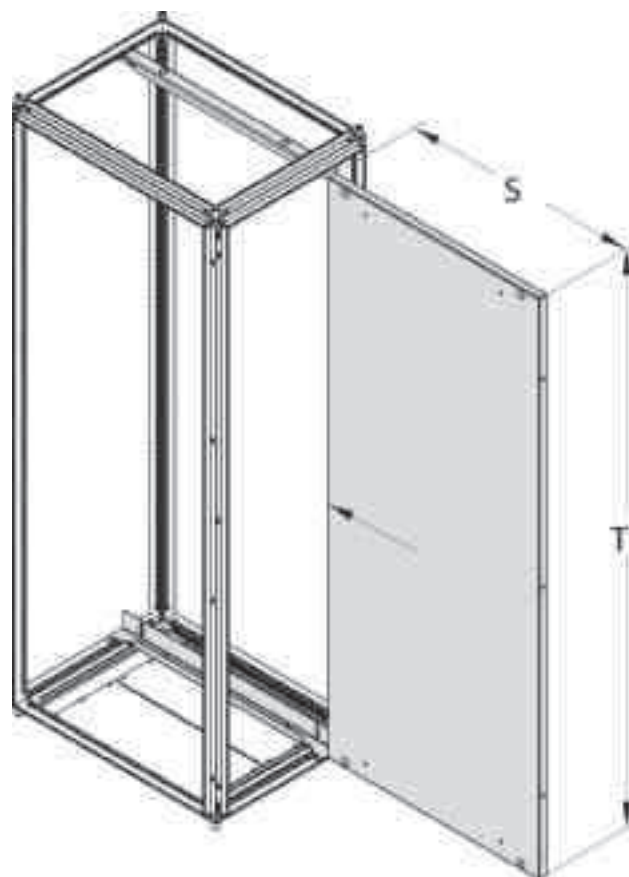
CODICE	Dimensioni nominali		Altre dimensioni	
	H	L	T	S
PMB166	1600	600	1480	585
PMB168	1600	800	1480	785
PMB16A	1600	1000	1480	985
PMB16C	1600	1200	1480	1185
PMB184	1800	400	1680	385
PMB186	1800	600	1680	585
PMB188	1800	800	1680	785
PMB18A	1800	1000	1680	985
PMB18C	1800	1200	1680	1185
PMB18D	1800	1400	1680	1385
PMB18E	1800	1600	1680	792,5 <sup>(2)</sup>
PMB18F	1800	1800	1680	892,5 <sup>(2)</sup>
PMB206	2000	600	1880	585
PMB208	2000	800	1880	785
PMB20A	2000	1000	1880	985
PMB20C	2000	1200	1880	1185
PMB20D	2000	1400	1880	1385
PMB20E	2000	1600	1880	792,5 <sup>(2)</sup>
PMB226	2200	600	2080	585
PMB228	2200	800	2080	785
PMB22A	2200	1000	2080	985
PMB22C	2200	1200	2080	1185
PMB22D	2200	1400	2080	1385
PMB22E	2200	1600	2080	792,5 <sup>(2)</sup>

PMB

<sup>(2)</sup> Piastra maggiorata composta in due pezzi avvitati fra loro.

### Il codice PMB include:

- Piastra maggiorata;
- Coppia guide piastra per inserimento laterale;  
4 viti M6 x 16;
- 8 rondelle M8;
- 4 viti speciali M8;
- 4 dadi M8;
- 4 dadi a gabbia M6.



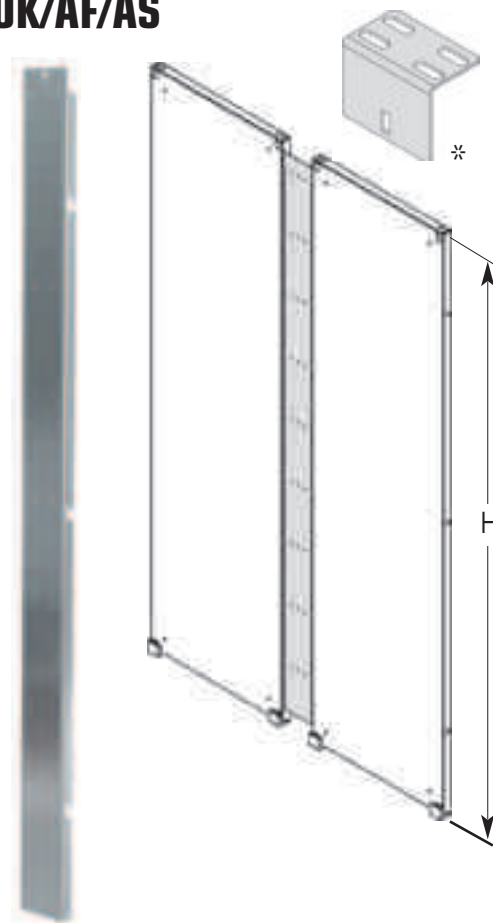
## FUP - Fascia unione piastre per armadi serie OK/AF/AS

**Descrizione:** la fascia di unione piastre è costruita in lamiera zincata spessore 20/10, viene avvitata tra 2 piastre PNA di armadi serie OK, AF o AS uniti in batteria tramite apposito set viterie.

La fascia è predisposta con delle forature a passo per agevolare l'installazione delle canaline tramite semplici viti autofilettanti.

### Il codice FUP include:

- Nr. 1 fascia unione piastra FUP
- Nr. 1 angolare per bloccaggio FUP al telaio
- Nr. 6 viti M8x16
- Nr. 6 inserti filettati M8

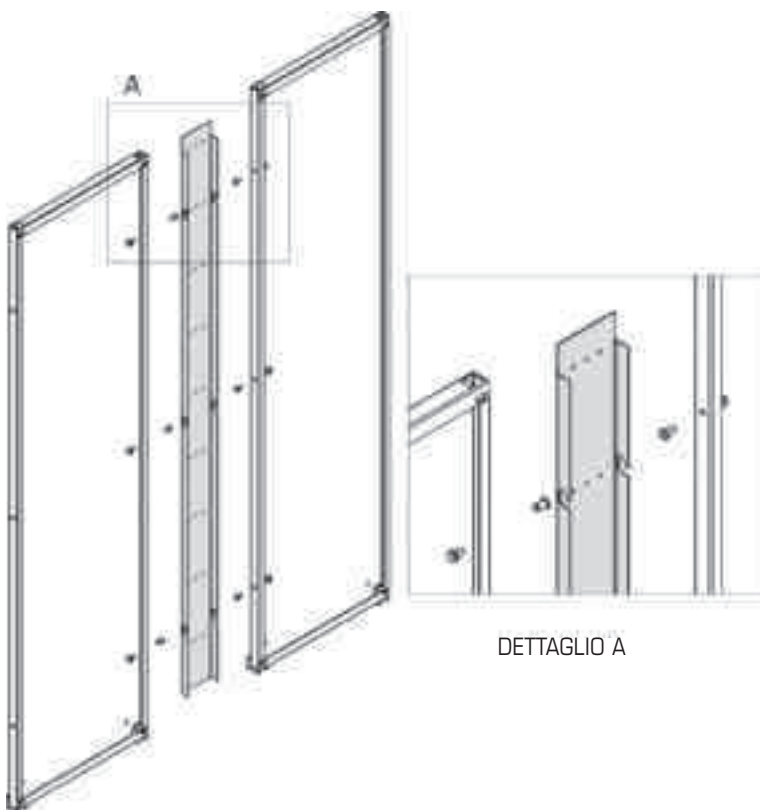


CODICE	Dimensioni nominali
	H
<b>FUP168</b>	<b>1600</b>
<b>FUP188</b>	<b>1800</b>
<b>FUP208</b>	<b>2000</b>
<b>FUP228</b>	<b>2200</b>

**FUP**

### Istruzioni per il montaggio:

- Montare le piastre allineate alla stessa profondità
- Avvitare le viti sugli inserti filettati ai lati delle piastre, vedi dettaglio A;
- Montare l'angolare di bloccaggio al telaio in alto
- Controllare che viti ed inserti siano ben serrati.
- Inserire la fascia unione piastre agganciandole dall'alto verso il basso agli inserti laterali e fissare la FUP all'angolare;



\*Non incluso nel codice FUP, da ordinarsi a parte (codice SQZFUP)

## OKB - Armadio OK con porta cieca singola

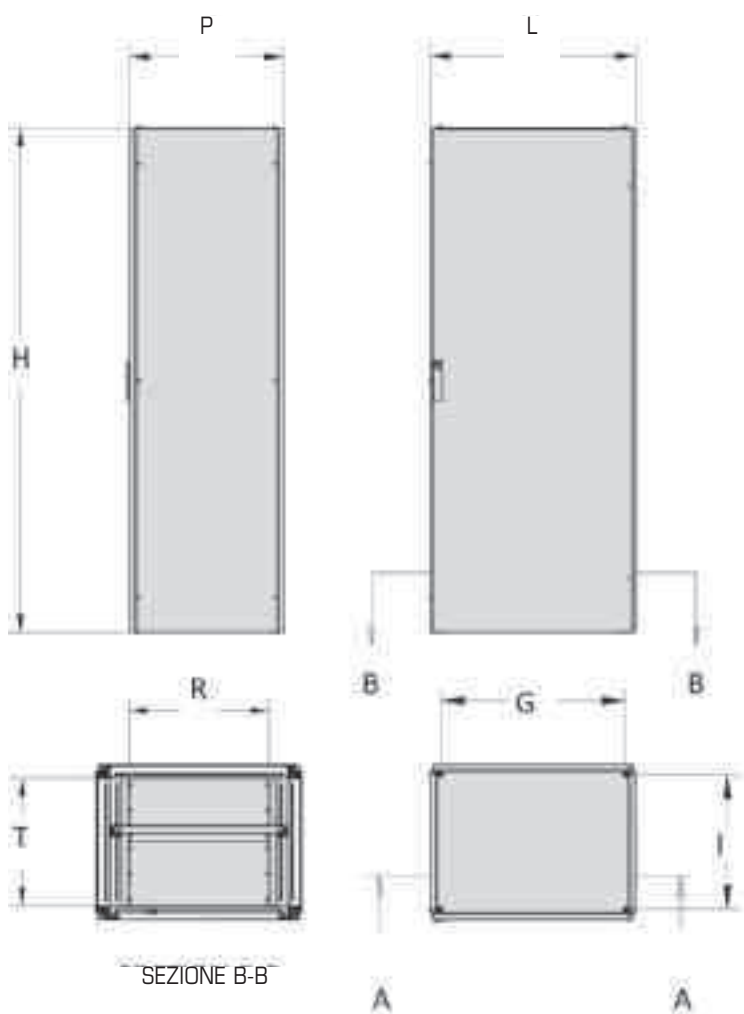
**Descrizione:** armadio serie OK, completo di tetto asportabile e flange ingresso cavi regolabili, con porta cieca singola munita di telaio interno di rinforzo con angolari in zama, guarnizione poliuretanicca e chiusura a cariglione, sistema a 3mm doppia aletta..

### Il codice OKB include:

- Telaio OK montato completo di tetto asportabile e fondo con flange ingresso cavi
- Porta esterna cieca cod. DBE in RAL 7035 bucciato (pag.18)
- Pannello posteriore avvitato cod. RPE (pag. 19)
- Piastra interna cod. PNA (pag. 20)

### Note:

- Le porte DBE sono reversibili
- Per le dimensioni disponibili, vedasi pagg. 16-17, per dettagli sulle dimensioni nominali e reali vedasi pagg. 167-172



### Elementi ordinabili a parte:

- Zoccolo h=100 / h=200 cod. ZAK + flange laterali cod. FLK (vedi pag. 22-23)
- Coppia fianchi cod. DLK (vedi pag. 21)
- Golfari di sollevamento, pag. 121



## OKB – Armadio OK con porte doppie cieche

**Descrizione:** armadio serie OK, completo di tetto asportabile e flange ingresso cavi regolabili, con porte doppie con telaio di rinforzo interno, angolari in zama, guarnizione poliuretanicca e sistema di chiusura a cariglione sull'anta principale e con due box di chiusura a doppia aletta 3 mm sull'altra.

### Il codice OKB include:

- Telaio OK montato completo di tetto asportabile e fondo con flange ingresso cavi
- Porte cieche cod. DBE in RAL 7035 bucciato (pag. 18)
- Pannello posteriore avvitato cod. RPE (pag. 19)
- Piastra interna cod. PNA (pag. 20)

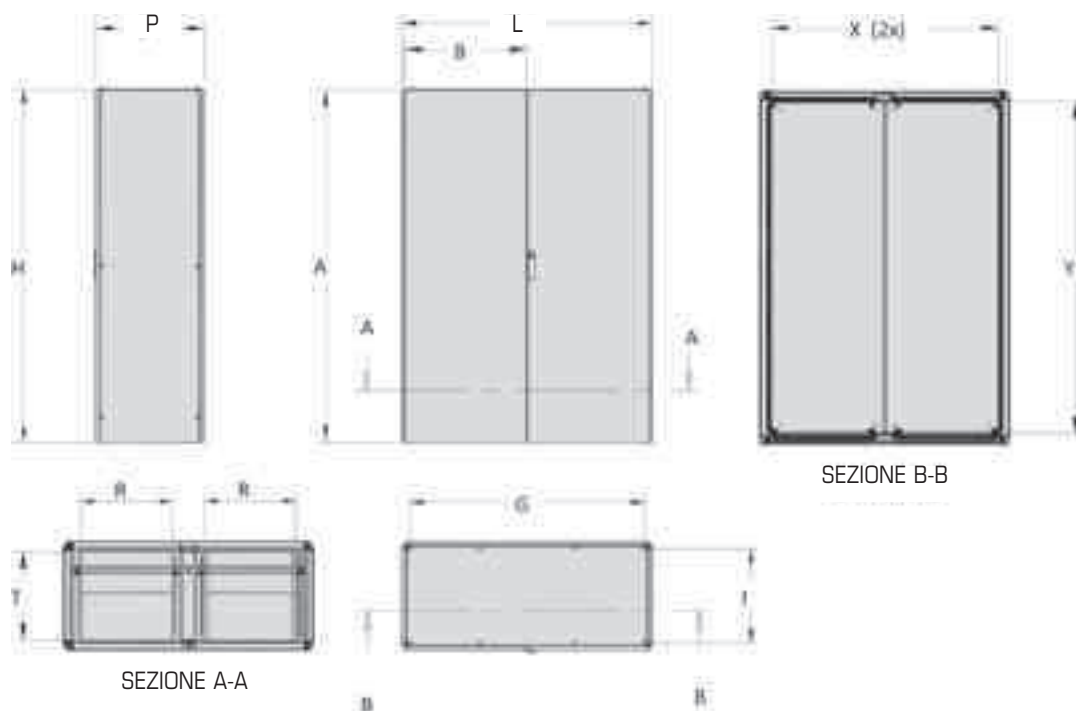
### Note:

- Gli armadi l=1600mm hanno doppi pannelli posteriori avvitati ad un montante intermedio e doppie piastre, invece di una singola
- Per le dimensioni disponibili, vedasi pagg. 16-17, per dettagli sulle dimensioni nominali e reali, vedasi pagg.167-172



### Elementi ordinabili a parte:

- Zoccolo h=100 / h=200 cod. ZAK + flange laterali cod. FLK (vedi pag. 22-23)
- Coppia fianchi cod. DLK (vedi pag. 21)
- Golfari di sollevamento, pag. 121



## OKV – Armadio OK con porta trasparente

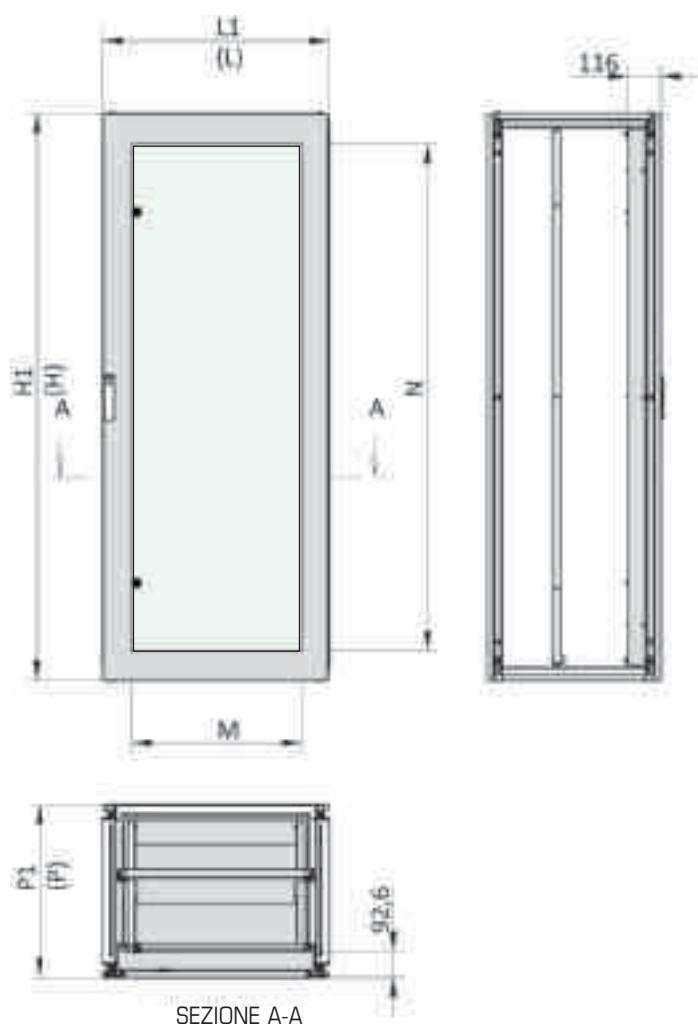
**Descrizione:** armadio serie OK, completo di tetto asportabile e flange ingresso cavi regolabili, con porta singola o doppia con ampia finestratura chiusa da una lastra in materiale PMMA trasparente spessore 4 mm, in conformità alle norme ISO, DIN e ASTM. La lastra è fissata al pannello con un film acrilico nelle chiusure e appositi angolari di rinforzo fissati al telaio tubolare interno porta.

### Il codice OKV include:

- Telaio OK montato completo di tetto asportabile e fondo con flange ingresso cavi
- Porta esterna trasparente cod. DTE in RAL 7035 bucciato (pag. 24)
- Porta interna cod. DBI verniciata in RAL 7035 bucciato (pag. 25)
- Pannello posteriore avvitato cod. RPE (pag. 19)
- Piastra interna cod. PNA (pag. 20)

### Note:

- La distanza tra porta interna ed esterna può essere regolata in profondità



### Elementi ordinabili a parte:

- Zoccolo h=100 / h=200 cod. ZAK + flange laterali cod. FLK (vedi pag. 22-23)
- Coppia fianchi cod. DLK (vedi pag. 21)
- Golfari di sollevamento (vedi pag. 121)

**OKV** – Armadio OK con porta trasparente

CODICE	Dimensioni nominali			Altre dimensioni				
	H	L	P	H1	L1	P1	M	N
OKV1664	1600	600	400	1601	612	412	220	300
OKV1665	1600	600	500	1601	612	512	320	300
OKV1666	1600	600	600	1601	612	612	320	300
OKV1684	1600	800	400	1601	812	412	220	500
OKV1685	1600	800	500	1601	812	512	320	500
OKV1686	1600	800	600	1601	812	612	320	500
OKV1864	1800	600	400	1801	612	412	220	300
OKV1865	1800	600	500	1801	612	512	320	300
OKV1866	1800	600	600	1801	612	612	320	300
OKV1868	1800	600	800	1801	612	812	320	300
OKV1884	1800	800	400	1801	812	412	220	500
OKV1885	1800	800	500	1801	812	512	320	500
OKV1886	1800	800	600	1801	812	612	320	500
OKV1888	1800	800	800	1801	812	812	320	500
OKV188A	1800	800	1000	1801	812	1012	320*	500*
OKV18A4	1800	1000	400	1801	1012	412	220	500
OKV18A5	1800	1000	500	1801	1012	512	320	500
OKV18A6	1800	1000	600	1801	1012	612	320	500
OKV18A8	1800	1000	800	1801	1012	812	320	500
OKV18AA	1800	1000	1000	1801	1012	1012	320*	500*
OKV2064	2000	600	400	2001	612	412	220	300
OKV2065	2000	600	500	2001	612	512	320	300
OKV2066	2000	600	600	2001	612	612	320	300
OKV2068	2000	600	800	2001	612	812	320	300
OKV2084	2000	800	400	2001	812	412	220	500
OKV2085	2000	800	500	2001	812	512	320	500
OKV2086	2000	800	600	2001	812	612	320	500
OKV2088	2000	800	800	2001	812	812	320	500
OKV208A	2000	800	1000	2001	812	1012	320*	500*
OKV20A5	2000	1000	500	2001	1012	512	320	500
OKV20A6	2000	1000	600	2001	1012	612	320	500
OKV20A8	2000	1000	800	2001	1012	812	320	500
OKV20A4	2000	1000	400	2001	1012	1012	320*	500*
OKV20AA	2000	1000	1000	2001	1012	1012	320*	500*
OKV2264	2200	600	400	2201	612	412	220	300
OKV2265	2200	600	500	2201	612	512	320	300
OKV2266	2200	600	600	2201	612	612	320	300
OKV2268	2200	600	800	2201	612	812	320	300
OKV226A	2200	600	1000	2201	612	1012	320*	300*
OKV2284	2200	800	400	2201	812	412	220	500
OKV2285	2200	800	500	2201	812	512	320	500
OKV2286	2200	800	600	2201	812	612	320	500
OKV2288	2200	800	800	2201	812	812	320	500
OKV228A	2200	800	1000	2201	812	1012	320*	500*
OKV22A4	2200	1000	400	2201	1012	412	220	500
OKV22A5	2200	1000	500	2201	1012	512	320	500
OKV22A6	2200	1000	600	2201	1012	612	320	500
OKV22A8	2200	1000	800	2201	1012	812	320	500
OKV22AA	2200	1000	1000	2201	1012	1012	320*	500*

**OKV**
<sup>(2)</sup> Doppia porta in battuta

## OKR - Armadio Rack 19"

**Descrizione:** armadio serie OK completo con tetto asportabile e flange ingresso cavi regolabili, corredato di telaio rack 19" girevole e porta trasparente esterna.

**Il codice OKR include:**

- Telaio OK montato completo di tetto asportabile e fondo con flange ingresso cavi regolabili
- Retro cod. RPE avvitato in RAL 7035 bucciato (pag. 19)
- Porta trasparente cod. DTE (pag. 24)
- Telaio interno girevole rack 19" apertura 110° verniciato RAL 7035 bucciato, cod. TRIE (disponibile sciolto su richiesta)

**OKR**

CODICE	Dimensioni				Unità HE	
	H	L	P	He	n°	
<b>OKR 1884</b>	<b>1800</b>	<b>800</b>	<b>400</b>	1616	36	
<b>OKR 1885</b>	<b>1800</b>	<b>800</b>	<b>500</b>	1616	36	
<b>OKR 1886</b>	<b>1800</b>	<b>800</b>	<b>600</b>	1616	36	
<b>OKR 2084</b>	<b>2000</b>	<b>800</b>	<b>400</b>	1793	40	
<b>OKR 2085</b>	<b>2000</b>	<b>800</b>	<b>500</b>	1793	40	
<b>OKR 2086</b>	<b>2000</b>	<b>800</b>	<b>600</b>	1793	40	
<b>OKR 2088</b>	<b>2000</b>	<b>800</b>	<b>800</b>	1793	40	

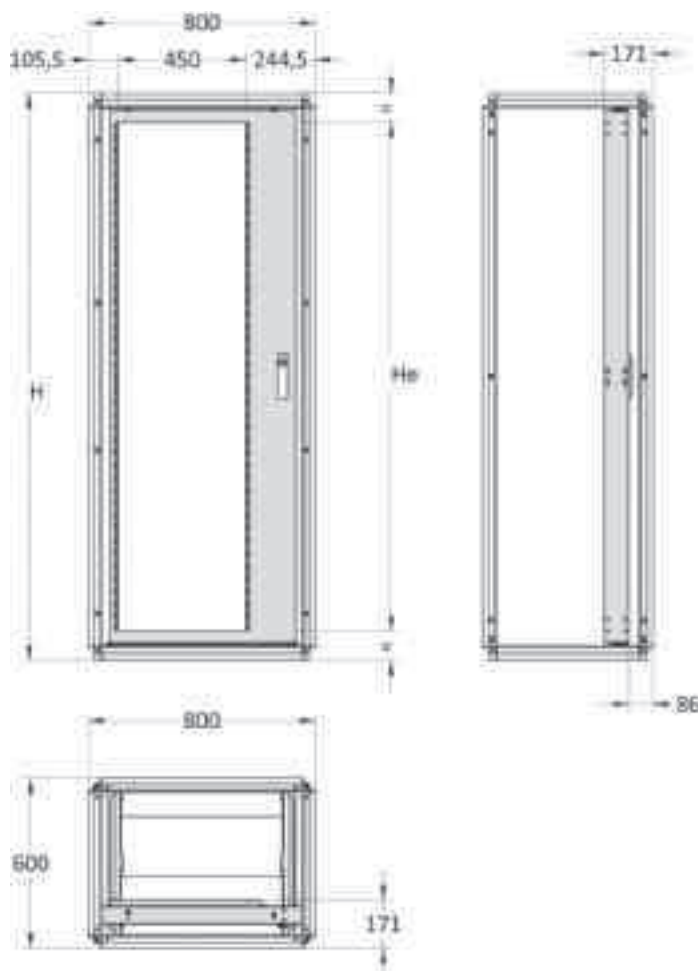


**Elementi ordinabili a parte:**

- Piastra interna cod. PNA (pag. 20)
- Coppia fianchi cod. DLK (pag. 21)
- Coppia montanti rack fissi 19" cod. STR (vedi pagg. seguenti)
- Zoccolo h=100 /h=200 cod. ZAK e flange laterali cod. FLK (pagg. 22-23)
- Pannelli alluminio 19" cod. PHE (vedi pagg. seguenti)
- Golfari di sollevamento (pag. 121)

**Note:**

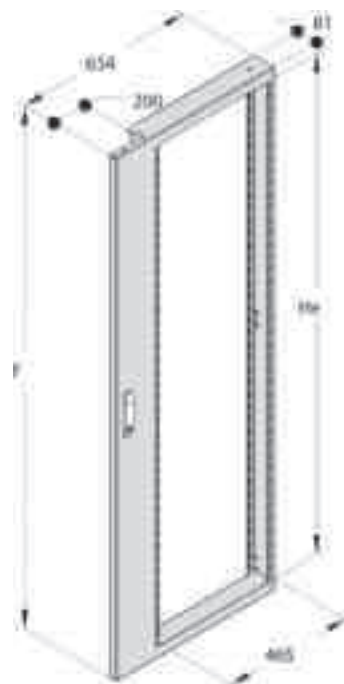
- Telaio girevole disponibile per armadi l =>800 mm
- Cerniere in acciaio ad alta resistenza, per telaio interno girevole rack 19" disponibili con apertura a 180° (vd. pag. 134).



## TRIK – Telaio rack 19" girevole

**Descrizione:** il telaio rack 19" girevole è disponibile per armadi  $\geq 800$  mm

Codice	Dimensioni					
	Nominali		Caratteristiche			
	H	L	E	F	-	HE
<b>TRIK168</b>	<b>1600</b>	<b>800</b>	200	1478	-	<b>34</b>
<b>TRIK188</b>	<b>1800</b>	<b>800</b>	200	1678	-	<b>38</b>
<b>TRIK208</b>	<b>2000</b>	<b>800</b>	200	1878	-	<b>42</b>
<b>TRIK228</b>	<b>2200</b>	<b>800</b>	200	2078	-	<b>46</b>

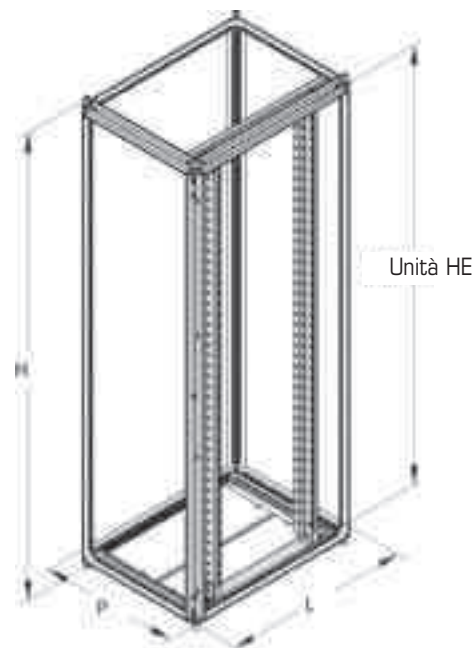
**TRIK**


## STRK – Coppia montanti fissi rack 19"

**Descrizione:** la coppia di montanti fissi rack 19" può essere applicata all'interno di qualsiasi telaio negli armadi serie OK.

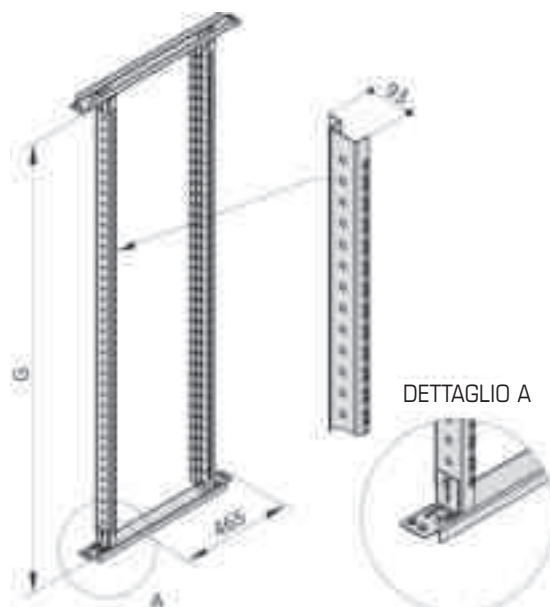
**Nota:** per montare la coppia di montanti rack 19" fissi sugli armadi con larghezza superiore a 600 mm, bisogna utilizzare un'apposito kit composto da una coppia di guide da fissare al telaio dell'armadio in alto ed in basso (vedi foto sotto).

CODICE	Dimensioni nominali	Altre dimensioni	
	H	G	Unità HE
<b>STRK160</b>	<b>1600</b>	1480	32
<b>STRK180</b>	<b>1800</b>	1680	36
<b>STRK200</b>	<b>2000</b>	1880	40
<b>STRK220</b>	<b>2200</b>	2080	46

**STRK**


### Il codice STRK include:

- Nr. 1 Coppia montanti verticali rack 19" fissi;
- Nr. 4 squadrette di fissaggio
- Nr. 1 coppia di profili superiore ed inferiore (solo per armadi con larghezza superiore a 600 mm)
- Viteria per il fissaggio.

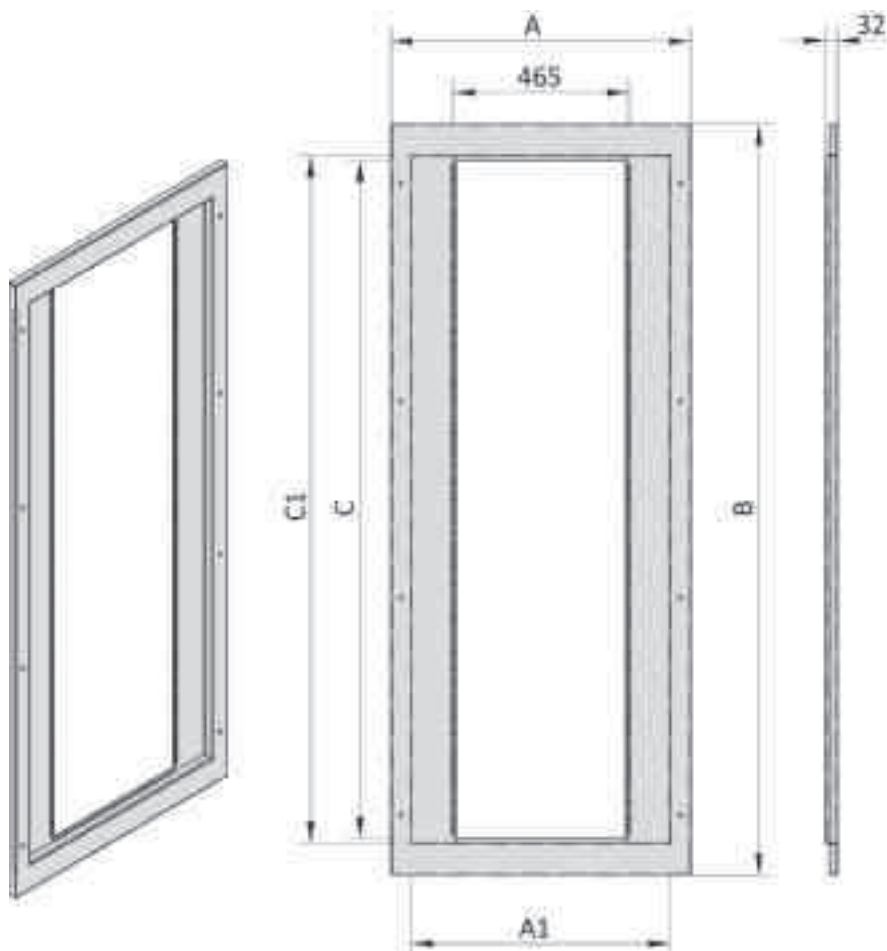


## TREK – Telaio rack a giorno per armadio OK

**Descrizione:** negli armadi serie OK, AF ed AS, al posto della porta esterna è possibile montare un telaio rack 19" che permette di avere le eventuali apparecchiature a giorno.

### Il codice TREK include:

- Telaio rack a giorno 19";
- Clip di fissaggio al montante;
- Set viterie.

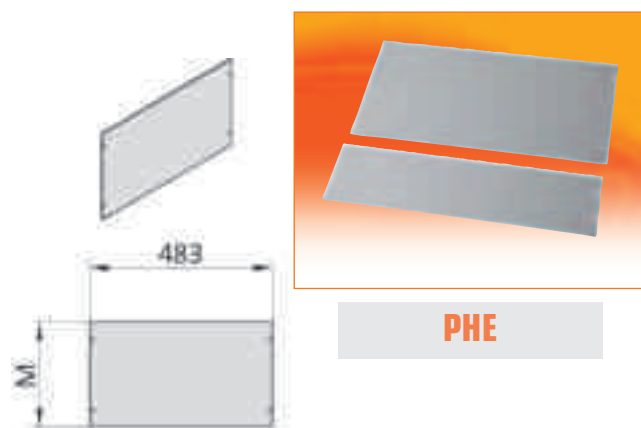


### TREK

CODICE	Dimensioni nominali		Altre dimensioni					
	H	L	A	B	C	A1	C1	Unità HE
TREK188	1800	800	792	1784	1589	682	1614	36
TREK208	2000	800	792	1984	1789	682	1814	40

## PHE – Pannelli frontali in alluminio per armadio OK Rack 19"

**Descrizione:** costruiti in alluminio anodizzato spessore 30/10.

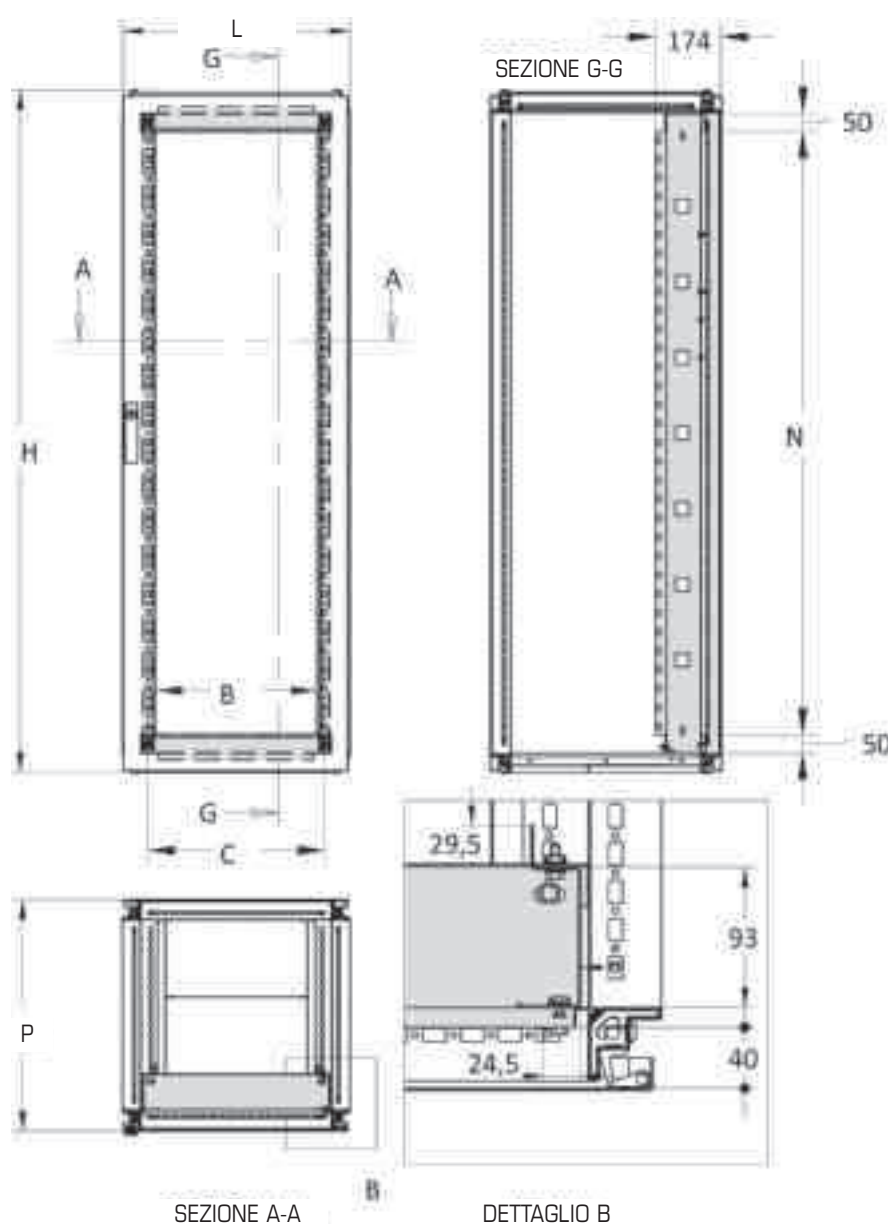


### PHE

CODICE	Dimensioni nominali	Dimensioni caratteristiche	
	Unità HE	M	Pollici (in)
PHE010	1	44,00	1 ¾
PHE020	2	88,00	3 ½
PHE030	3	133,00	5 ¼
PHE040	4	177,00	7
PHE050	5	222,00	8 ¾
PHE060	6	266,00	10 ½
PHE070	7	311,00	12 ¼
PHE080	8	355,00	14
PHE090	9	400,00	15 ¾
PHE100	10	444,00	17 ½

## OKD – Armadio OK con telaio modulare interno

**Descrizione:** armadio serie OK completo di tetto asportabile e flange ingresso cavi regolabili, con porta esterna singola trasparente, con integrato un telaio modulare interno, predisposto con delle forature a passo per poter montare in qualsiasi posizione i pannelli modulari ciechi o preforati. Dietro ai pannelli modulari, all'interno dell'armadio, è possibile agganciare all'apposito telaio una serie di accessori (piastre interne di varie altezze, guide DIN con appositi supporti ecc. vedi pagine seguenti) che lo rendono adatto ad ogni utilizzo nel settore della distribuzione di energia.



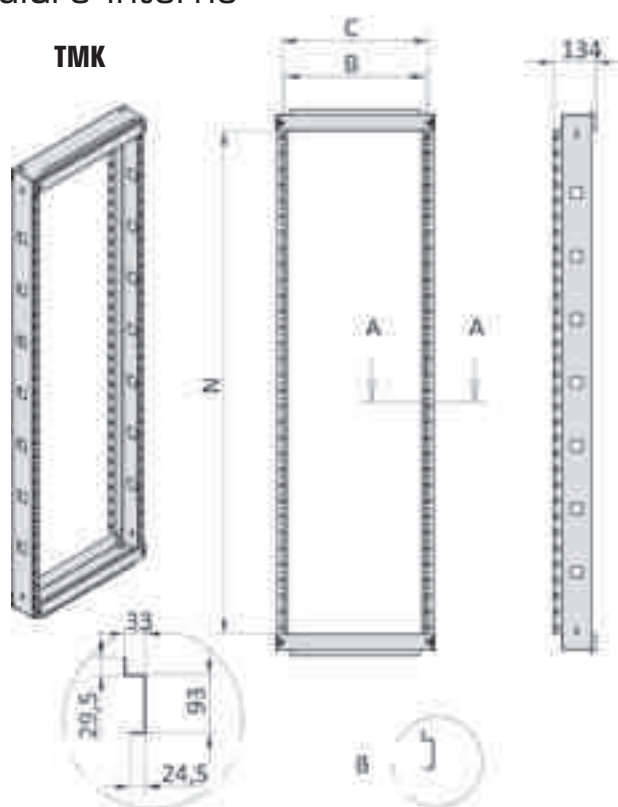
### Il codice OKD include:

- Telaio OK montato completo di tetto asportabile e fondo con flange ingresso cavi regolabili
- Retro cod. RPE in RAL 7035 bucciato (pag. 19)
- Porta trasparente cod. DTE RAL 7035 bucciato con PMMA spessore 40/10 (pag. 24)
- Telaio modulare interno cod. TMK (pag. 37)

### Elementi ordinabili a parte:

- Zoccolo h=100 / h=200 cod. ZAK + flange laterali cod. FLK (vedi pag. 22-23)
- Coppia fianchi cod. DLK (vedi pag. 21)
- Golfari di sollevamento (vedi pag. 121)

## OKD e TMK – Armadio OK con telaio modulare interno



DETTAGLIO B

SEZIONE A-A

CODICE	Dimensioni nominali			CODICE Telaio	Altre dimensioni		
	H	L	P		B	C	N
OKD1664	1600	600	400	TMK166	445	465	1400
OKD1665	1600	600	500	TMK166	445	465	1400
OKD1666	1600	600	600	TMK166	445	465	1400
OKD1684	1600	800	400	TMK168	645	665	1400
OKD1685	1600	800	500	TMK168	645	665	1400
OKD1686	1600	800	600	TMK168	645	665	1400
OKD1864	1800	600	400	TMK186	445	465	1600
OKD1865	1800	600	500	TMK186	445	465	1600
OKD1866	1800	600	600	TMK186	445	465	1600
OKD1868	1800	600	800	TMK186	445	465	1600
OKD1884	1800	800	400	TMK188	645	665	1600
OKD1885	1800	800	500	TMK188	645	665	1600
OKD1886	1800	800	600	TMK188	645	665	1600
OKD2064	2000	600	400	TMK206	445	465	1800
OKD2065	2000	600	500	TMK206	445	465	1800
OKD2066	2000	600	600	TMK206	445	465	1800
OKD2068	2000	600	800	TMK206	445	465	1800
OKD2084	2000	800	400	TMK208	645	665	1800
OKD2085	2000	800	500	TMK208	645	665	1800
OKD2086	2000	800	600	TMK208	645	665	1800
OKD2088	2000	800	800	TMK208	645	665	1800
OKD2266	2200	600	600	TMK226	445	465	2000
OKD2286	2200	800	600	TMK228	645	665	2000

OKD

TMK

**TMK - Descrizione:** il telaio interno modulare è composto da due montanti verticali forati e dai correnti superiore ed inferiore. Viene integrato da due pannelli frontali di compensazione superiore ed inferiore (PPC, forniti a parte), in modo che rimanga una altezza N, nella quale collocare i pannelli modulari personalizzati. I pannelli modulari ciechi o preforati possono essere avvitati od incernierati sulla parte frontale dell'apposito telaio interno. I pannelli modulari incernierati possono essere montati con cerniere sia a destra che a sinistra. Il telaio modulare interno ha una serie di forature posteriori previste per il montaggio di piastre interne ed accessori DIN. E' dotato inoltre di scarichi laterali Dx e Sx per entrare ed uscire con i cavi di cablaggio.

Capienza del telaio modulare interno (numero dei pannelli inseribili):

Nella tabella sopraindicata la quota N da il riferimento in altezza per il calcolo del numero dei pannelli modulari da inserire. Le combinazioni i sono molteplici.

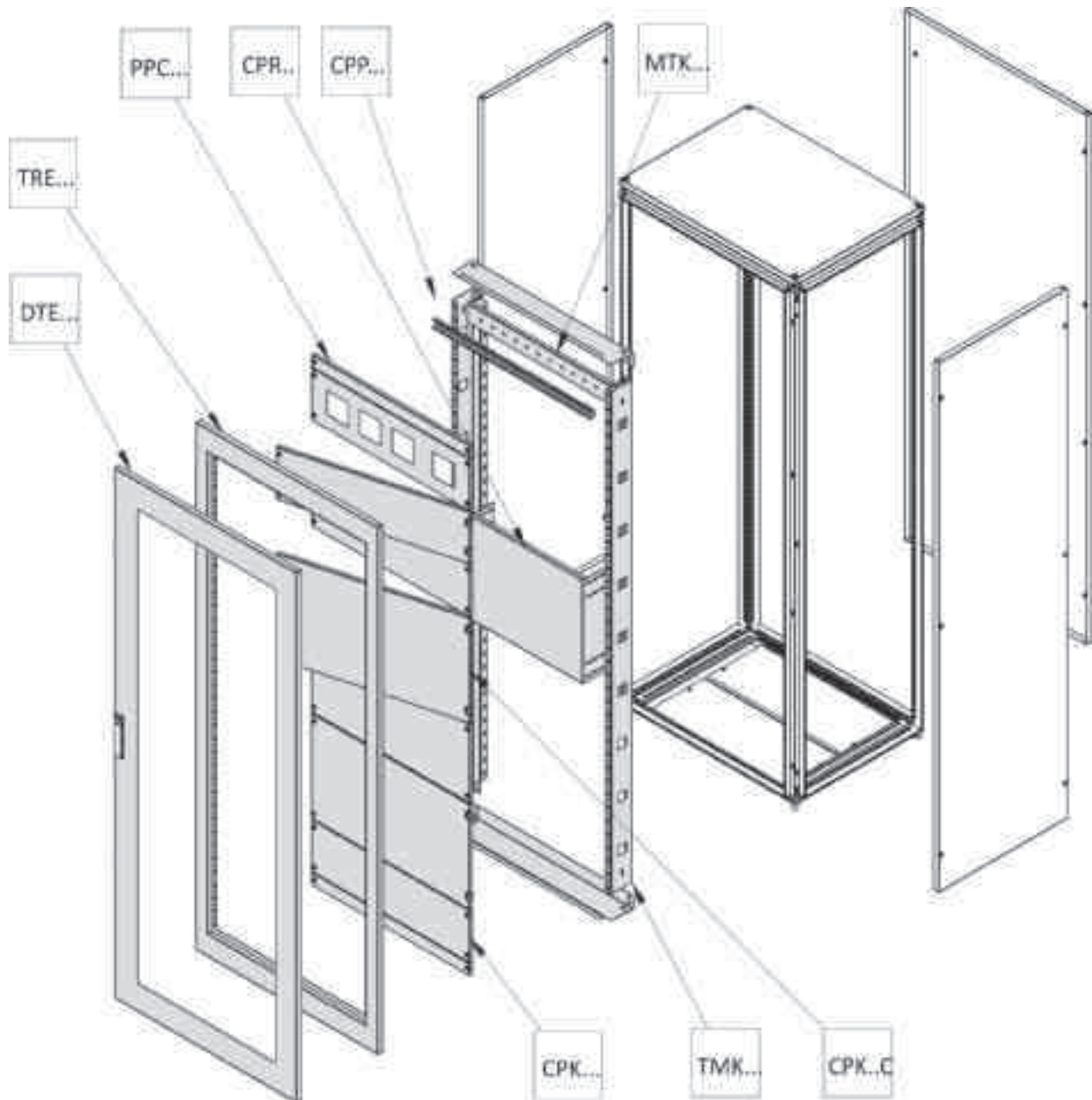
**Esempio:** Su un armadio H=1800 mm, la quota disponibile N è pari a 1600 mm, dove posso montare al massimo numero 8 pannelli modulari h=200.



## OKD - Sistema modulare

**Descrizione:** il sistema modulare interno dell'armadio OKD è flessibile e completo di elementi modulari esemplificati

nella figura sottostante, che permettono di eseguire una miriade di varianti, grazie agli accessori raffigurati.



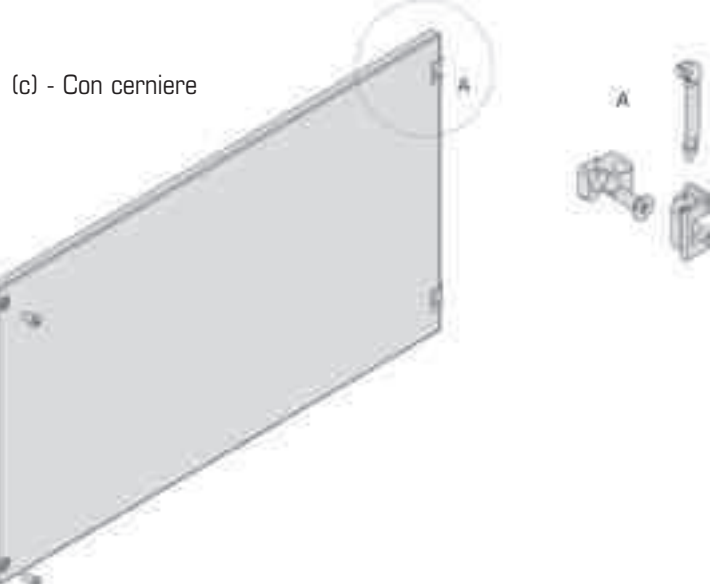
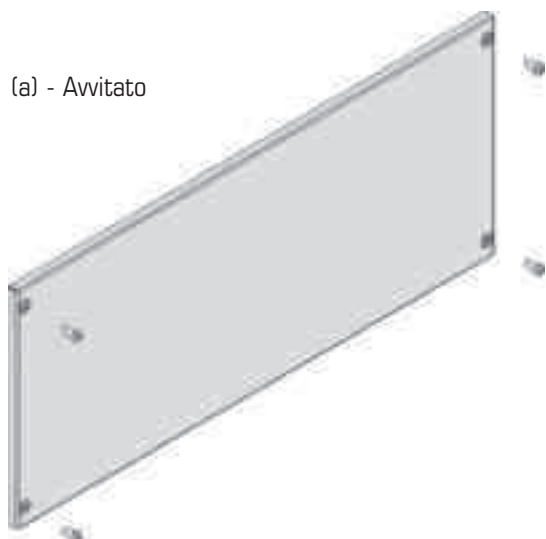
### Accessori (pagine seguenti):

- Pannelli modulari avvitati cod. CP
- Pannelli modulari incernierati cod. CP C
- Pannelli di compensazione h=50 mm cod. PPC
- Piastre modulari porta componenti cod. CPR
- Traversi fissaggio barra DIN cod. MTK
- Barra DIN cod. CPP
- Cornice a giorno per pannelli modulari cod. TRE

## OKD - Elementi modulari interni

### PANNELLI MODULARI

I pannelli modulari sono di due tipologie: avvitati ed incernierati. I pannelli avvitati sono fissati al telaio modulare interno mediante quattro viti, i pannelli incernierati sono fissati al telaio mediante due cerniere da un lato, e due viti dall'altro. I codici dei pannelli incernierati hanno suffisso finale (C).



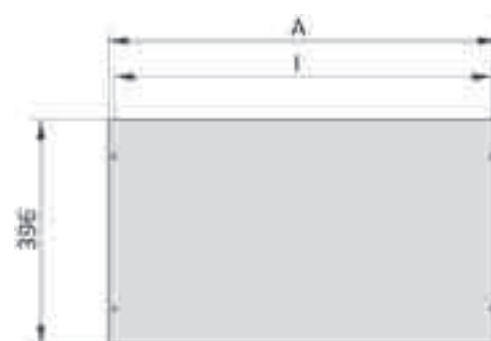
### PANNELLI CIECHI PORTA-STRUMENTI

CODICE	Larghezza armadio	Altre dimensioni			
	L	A	I	M	N
CPY560	600	487	465	-	-
CPY860	800	687	665	-	-
CPY560C	600	487	465	-	-
CPY860C	800	687	665	-	-



### PANNELLI CIECHI PORTA-STRUMENTI DOPPI

CODICE	Larghezza armadio	Altre dimensioni			
	L	A	I	M	N
CPK561	600	487	465	-	-
CPK861	800	687	665	-	-
CPK561C	600	487	465	-	-
CPK861C	800	687	665	-	-



### PANNELLI CIECHI PORTA-STRUMENTI TRIPLI

CODICE	Larghezza armadio	Altre dimensioni			
	L	A	I	M	N
CPT560	600	487	465	-	-
CPT860	800	687	665	-	-
CPT560C	600	487	465	-	-
CPT860C	800	687	665	-	-



## OKD - Elementi modulari interni

### PANNELLI PORTA-STRUMENTI CON QUATTRO FORI 67x67 MM

CODICE	Larghezza armadio	Altre dimensioni			
	L	A	I	M	N
CPX5472	600	487	465	117	117
CPX8472	800	687	665	137	187
CPX5472C	600	487	465	117	117
CPX8472C	800	687	665	137	187



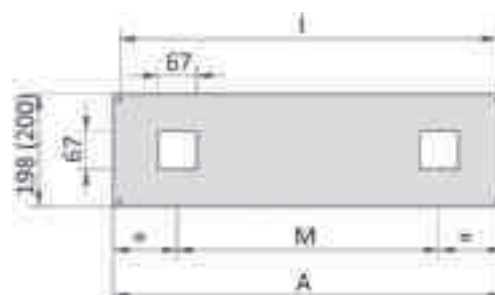
### PANNELLI PORTA-STRUMENTI CON QUATTRO FORI 92x92 MM

CODICE	Larghezza armadio	Altre dimensioni			
	L	A	I	M	N
CPX8496	600	487	465	142	177
CPX8496C	800	687	665	142	177



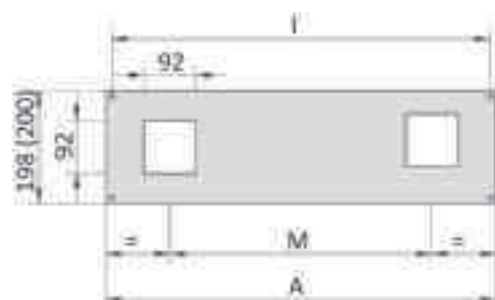
### PANNELLI PORTA-STRUMENTI CON DUE FORI 67x67 MM

CODICE	Larghezza armadio	Altre dimensioni			
	L	A	I	M	N
CPX5272	600	487	465	261	-
CPX8272	800	687	665	461	-
CPX5272C	600	487	465	261	-
CPX8272C	800	687	665	461	-



### PANNELLI PORTA-STRUMENTI CON DUE FORI 92x92 MM

CODICE	Larghezza armadio	Altre dimensioni		
	L	A	I	M
CPX5296	600	487	465	261
CPX8296	800	687	665	461
CPX5296C	600	487	465	261
CPX8296C	800	687	665	461



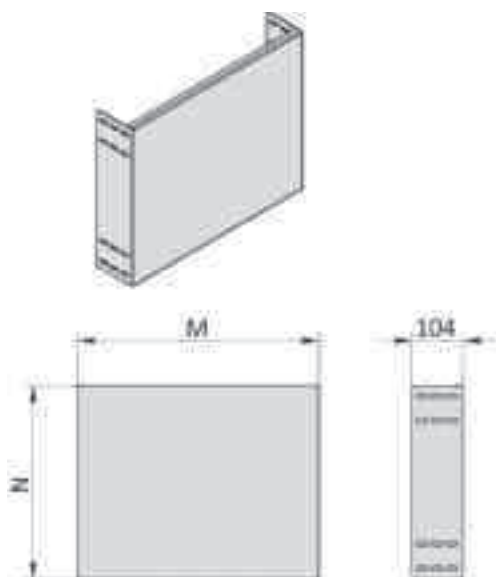
### PANNELLI PER MODULI CON FERITOIA ALTEZZA 47 MM

CODICE	Larghezza armadio - L	Altre dimensioni			Nr Unità
		A	I	M	
CPZ5422	600	487	465	430	24
CPZ8422	800	687	665	630	36
CPZ5422C	600	487	465	430	24
CPZ8422C	800	687	665	630	36



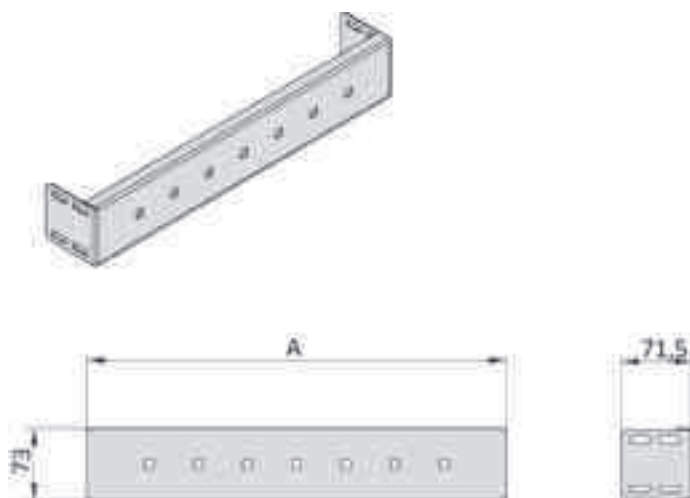
## OKD - Elementi modulari interni

### CPR - PIASTRA PORTACOMPONENTI



CODICE	Larghezza armadio		Altre dimensioni
	L	M	N
CPR602	600	425	194
CPR603	600	425	294
CPR604	600	425	394
CPR605	600	425	494
CPR606	600	425	594
CPR802	800	625	194
CPR803	800	625	294
CPR804	800	625	394
CPR805	800	625	494
CPR806	800	625	594

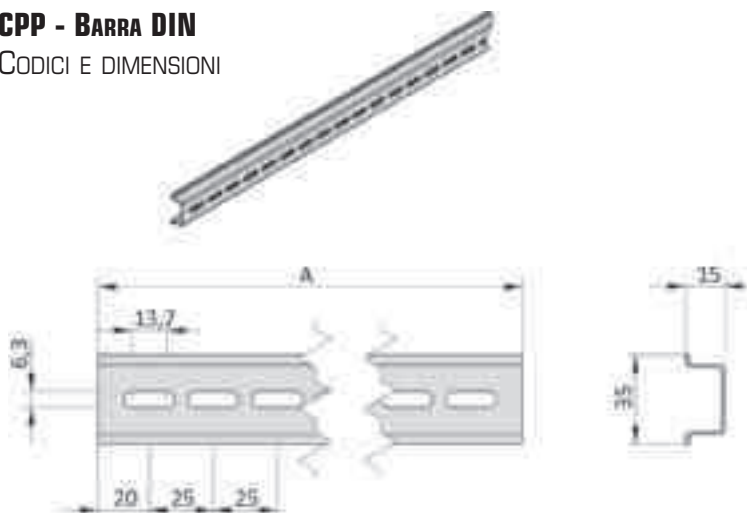
### MTK - TRAVERSI PER FISSAGGIO BARRA DIN



CODICE	Larghezza armadio	Altre dimensioni	
	L	A	
MTK600	600	425	DIN L=600
MTK800	800	625	DIN L=800

### CPP - BARRA DIN

CODICI E DIMENSIONI



CODICE	Larghezza armadio	Altre dimensioni	
	L	A	
CPP344	300	170	DIN L=170
CPP444	400	270	DIN L=270
CPP544	500	370	DIN L=370
CPP644	600	490	DIN L=490
CPP844	800	690	DIN L=690

### OKD - Elementi modulari interni

#### PPC - PANNELLI DI COMPENSAZIONE (SUPERIORE E INFERIORE)



CODICE	Larghezza armadio	Dimensioni caratteristiche			
	L	A	I	M	N
PPC560	600	487	465	-	-
PPC860	800	687	665	-	-

#### SGK - STAFFA SGD E SQUADRETTA CPS5846

CODICE	Kit composizione	
	Codice	Codice
SGK150	SGD150	CPS5846
SGK060	SGD060	CPS5846

CODICE	Dimensioni	
	L	I
SGD150	148	108
SGD060	58	18

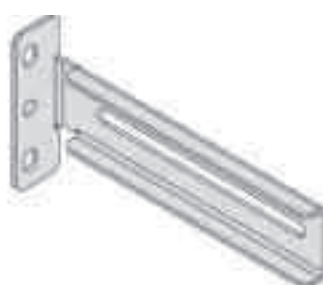
CODICE	Dimensioni caratteristiche	
	L	I
CPS5846	47x47x30	

#### SGK

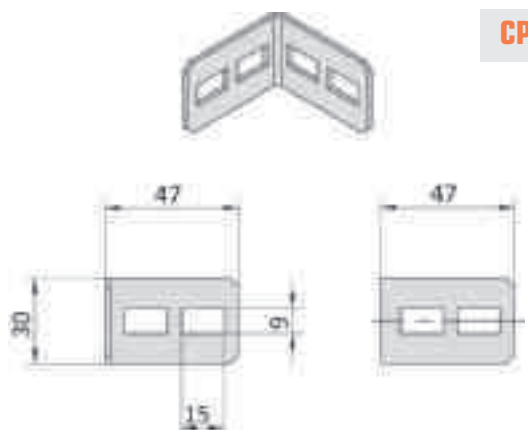
**Descrizione:** questo profilo è stato studiato per la regolazione in profondità dei profili DIN o altri accessori. Può essere fissato sui montanti dell'armadio, sulle piastre interne o dietro al telaio interno modulare.

#### CPS5846, squadretta forata.

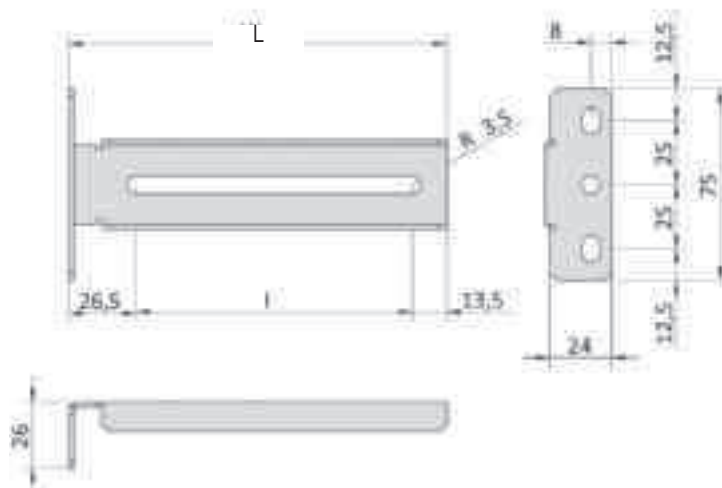
SGK, è un kit composto da una coppia di profili SGD + Nr. 2 squaderette CPS5846 e viterie, la squadretta CPS5846 scorre all'interno del profilo SGD e permette l'aggancio diretto del profilo DIN o altri accessori.



SGD



CPS5846



## OKN - Armadio porta PC

**Descrizione:** armadio OK per pc industriali, con tetto asportabile e flange ingresso cavi regolabili. Il fronte è composto da porta superiore con oblò in plexyglass trasparente per monitor a 19", da uno sportello centrale apribile a

ribalta, con alloggiato internamente un cassetto scorrevole su guide telescopiche per tastiera, e da una porta cieca sottostante. Internamente sono alloggiati 2 ripiani avvitati posizionati sopra e sotto il cassetto scorrevole.



### Il codice OKN include:

- Telaio OK montato completo di tetto asportabile e fondo con flange ingresso cavi regolabili
- Retro cod. RPE avvitato in RAL 7035 bucciato (pag. 19)
- Porta ad oblò superiore 19" apertura 120°, con chiusura a cariglione
- Cassetto porta tastiera scorrevole con portella a ribalta, serratura box a doppia aletta
- Porta inferiore cieca, apertura a 120°, chiusura a cariglione
- Nr. 2 ripiani orizzontali

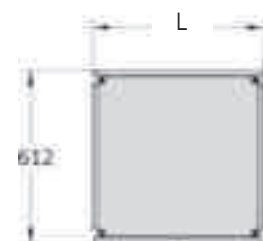
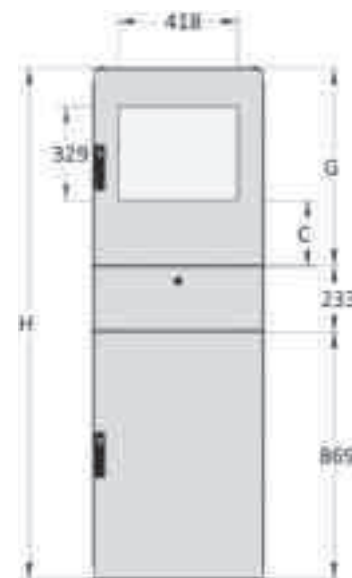
### Elementi completamente ordinabili a parte:

- Coppia fianchi cod. DLK (pag. 21)
- Zoccolo h=100 /h=200 cod. ZAK+
- flange laterali cod. FLK (pagg. 22-23)

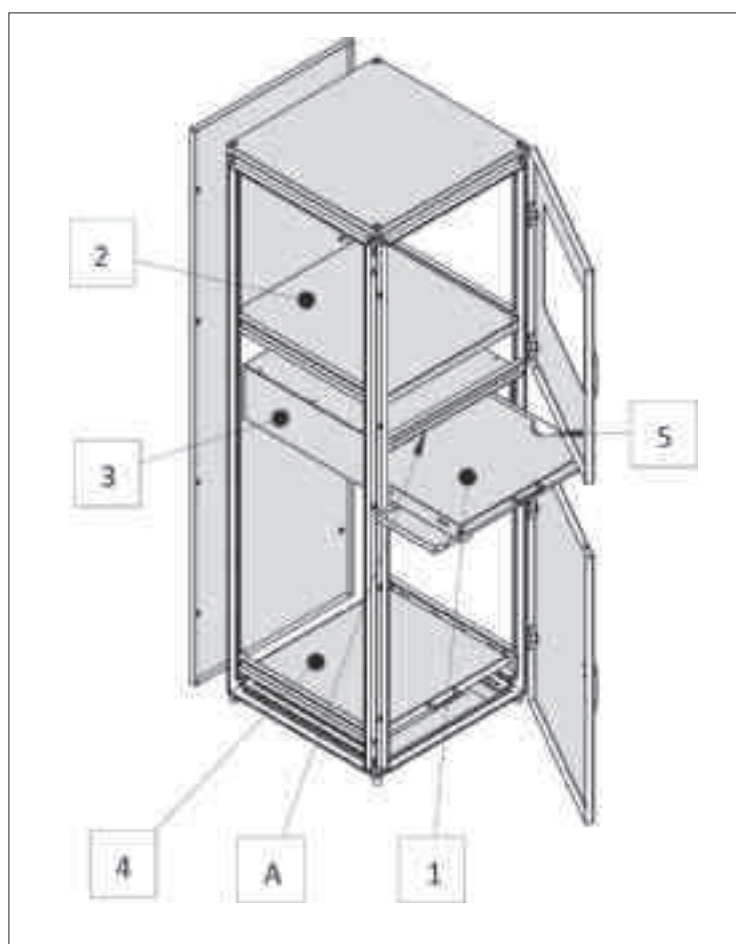


**OKN - Accessori per armadio porta PC**
**OKN**

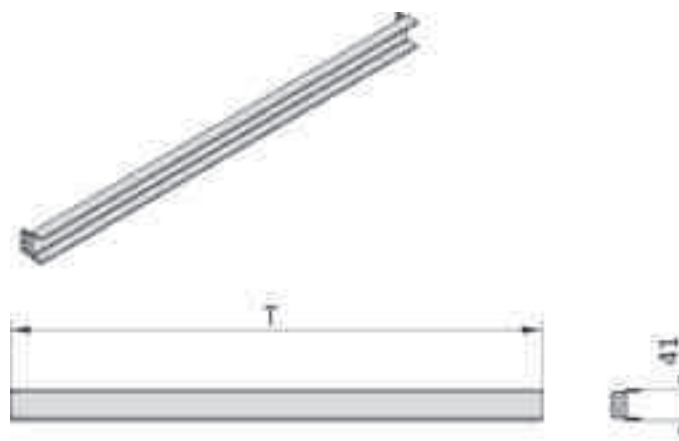
CODICE	Dimensioni				
	Nominali			Altre	
	H	L	P	C	G
<b>OKN1866</b>	<b>1800</b>	<b>600</b>	<b>600</b>	100	775
<b>OKN1886</b>	<b>1800</b>	<b>800</b>	<b>600</b>	100	775
<b>OKN2066</b>	<b>2000</b>	<b>600</b>	<b>600</b>	220	975
<b>OKN2086</b>	<b>2000</b>	<b>800</b>	<b>600</b>	220	975


**OKN – ARMADIO PORTA PC, ACCESSORI**

1. Cassetto scorrevole portatastiera cod. PCNK;
2. Segregazione orizzontale interna per monitor cod. SOAK
3. Cubicolo stagno per cassetto tastiera cod. CTSK;
4. Cassetto scorrevole supplementare cod. PCNK;
5. Pannello porta mouse (montato a destra, a richiesta a sinistra) cod. MSN100;
6. Eventuale piastra ridotta cod. CPMK.


**TBK - TRAVERSINO PORTA**

CODICE	Dimensioni		
	Nominali	Altre	
	L	T	H
<b>TBK602</b>	<b>600</b>	502	41
<b>TBK802</b>	<b>800</b>	702	41



## OKN - Accessori per armadio porta PC

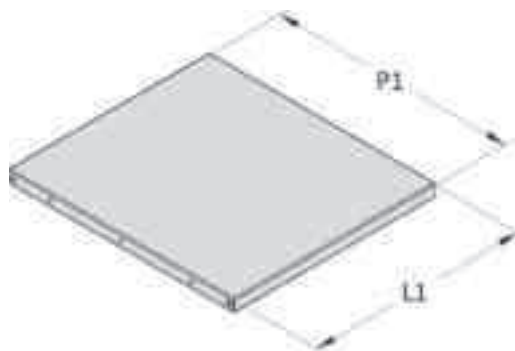
### 1 - CASSETTO SCORREVOLE PORTATASTIERA

CODE	Dimensioni	
	Nominali	Caratteristiche
	L	B
<b>PCNK600</b>	<b>600</b>	480
<b>PCNK800</b>	<b>800</b>	680



### 2 - RIPIANO ORIZZONTALE INTERNO

CODE	Dimensioni			
	Nominali		Caratteristiche	
	L	P	L1	P1
<b>SOAK606</b>	<b>600</b>	<b>600</b>	499	561
<b>SOAK806</b>	<b>800</b>	<b>600</b>	699	561

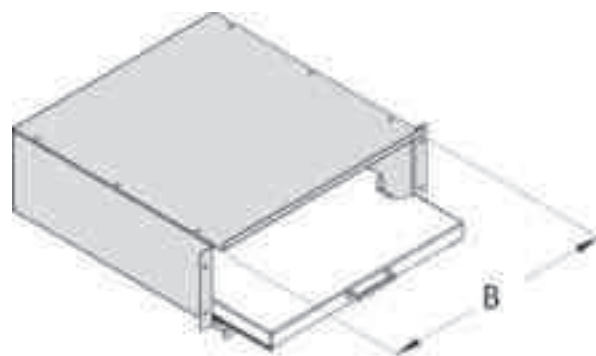


### 3 - CUBICOLO STAGNO

CODE	Dimensioni	
	Nominali	Caratteristiche
	L	B
<b>CTSK600</b>	<b>600</b>	501
<b>CTSK800</b>	<b>800</b>	701

**Note:** il cubicolo stagno serve a garantire il grado di protezione dell'armadio a cassetto aperto.

Il cassetto scorrevole è escluso dal codice CTSK perchè già compreso nel codice armadio OKN.



### 4- CASSETTO SCORREVOLE SUPPLEMENTARE

CODE	Dimensioni	
	Nominali	Caratteristiche
	L	B
<b>PCNK600</b>	<b>600</b>	480
<b>PCNK800</b>	<b>800</b>	680



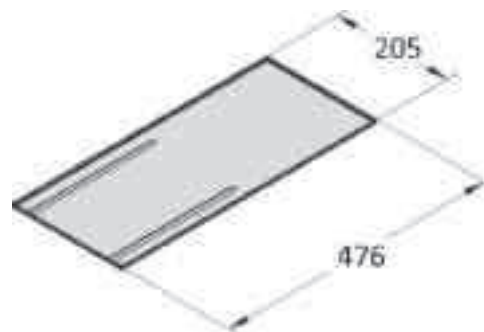


**OKN - Accessori per armadio porta PC**

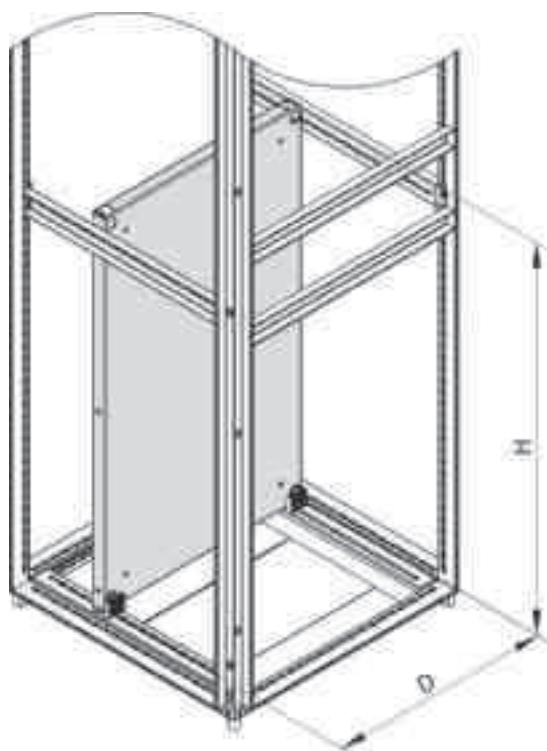
**5 - SUPPORTO MOUSE SU CASSETTO TASTIERA**

CODICE	Dimensioni	
	Nominali	Caratteristiche
	L	
MSN100		205x476 (230)

**Note:** con il supporto mouse, a corredo è previsto il mouse pad Quadritalia.

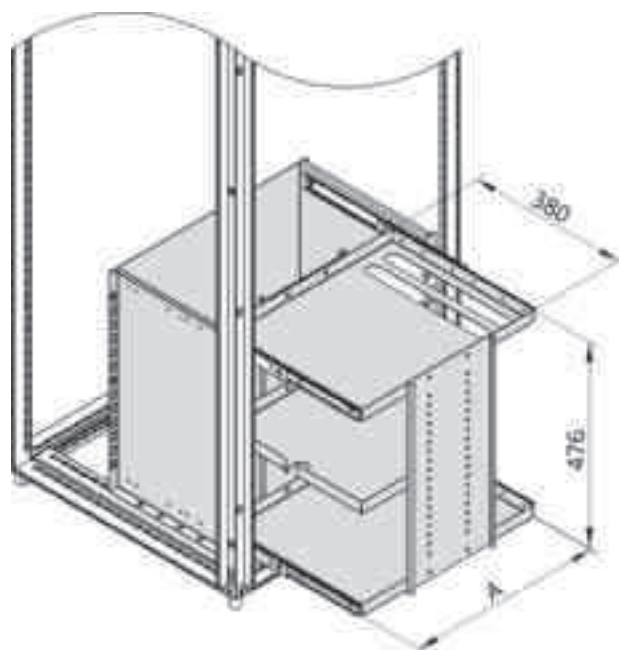


**CPMK - PIASTRA RIDOTTA**



CODICE	Dimensioni		
	Nominali	Caratteristiche	
	L	D	H
CPMK906	600	490	750
CPMK908	800	690	750

**CRK..N - CARRELLO PORTASTAMPANTE**



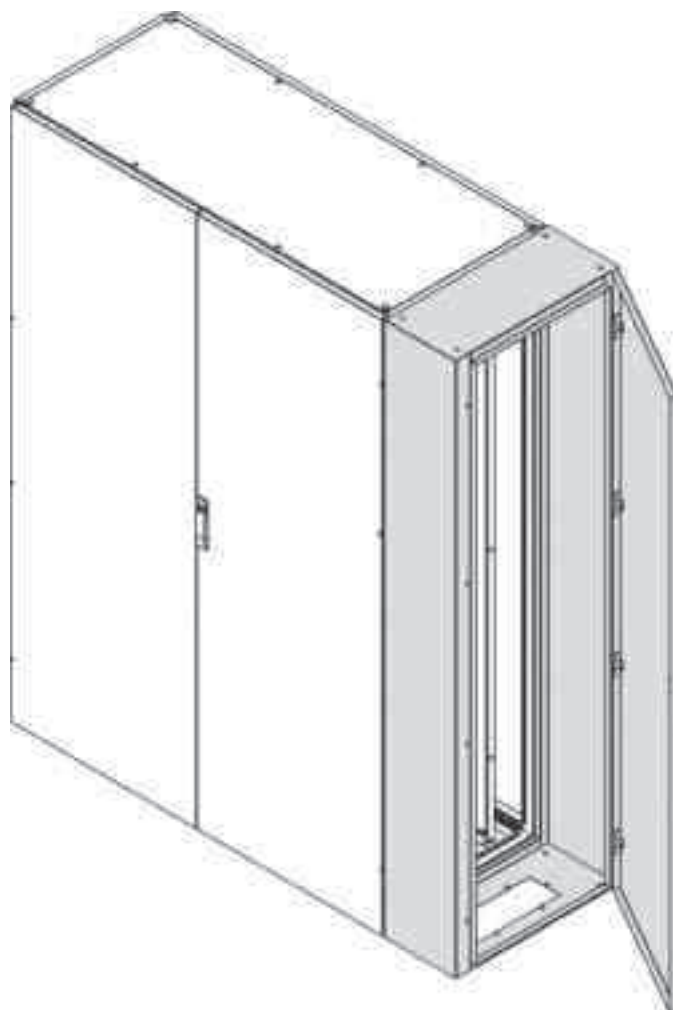
CODICE	Dimensioni	
	Nominali	Caratteristiche
	L	A
CRK060N	600	480
CRK080N	800	680

## RLK - Risalita cavi laterale

**Descrizione:** la risalita cavi laterale può essere montata sul fianco destro o sinistro degli armadi OK. La struttura è monoblocco, con porta cieca apribile con cerniere apertura a 120° e serratura a cariglione. Il retro

è aperto e predisposto per l'accoppiamento al laterale degli armadi serie OK.

E' fornito con piastra di montaggio cieca.



### Il codice RLK include:

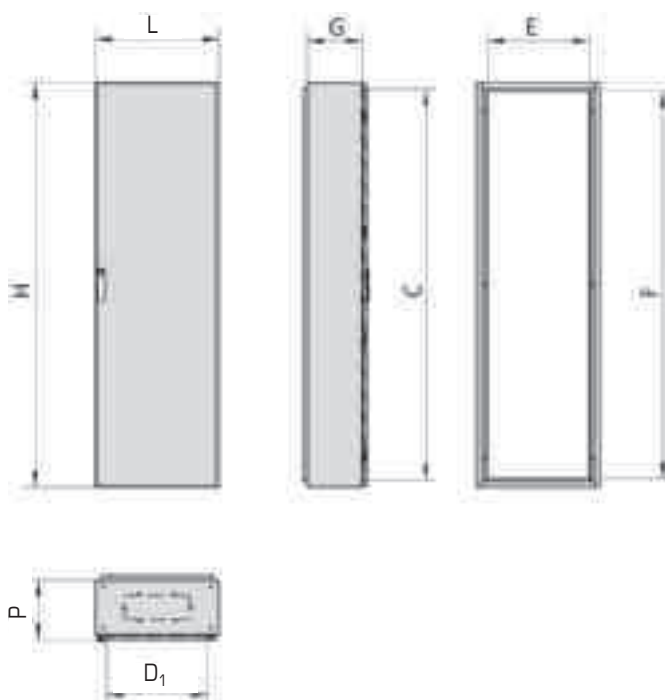
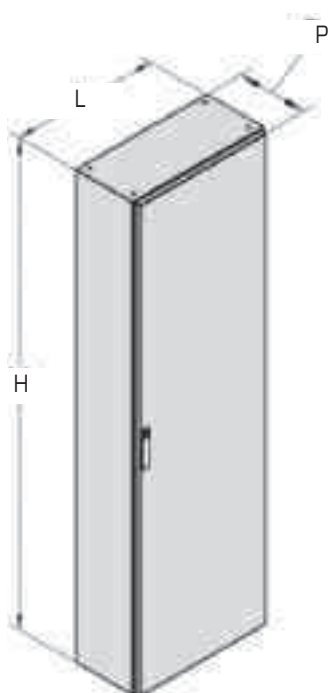
- Struttura monoblocco con fondo completo di flange ingresso cavi
- Porta laterale
- Set viterie per l'unione con altro armadio serie OK
- Piastra montaggio interna

### Elementi di completamento:

- Zoccolo h=100 / h=200 cod. ZAK + flange laterali cod. FLK (pagg. 22-23)
- Kit unione armadi OK, cod. UTK 700 o UTK770 (pag. 57)

**RLK - RISALITA CAVI LATERALE**
**RLK**

CODICE	Dimensioni nominali			Altre dimensioni					Piastra interna	
	H	L	P	C	D <sub>1</sub>	E	F	G	X	Y
<b>RLK 1642</b>	1600	400	200	1540	299	302	1519	170	375	1534
<b>RLK 1643</b>	1600	400	300	1540	299	302	1519	270	375	1534
<b>RLK 1652</b>	1600	500	200	1540	399	402	1519	170	475	1534
<b>RLK 1653</b>	1600	500	300	1540	399	402	1519	270	475	1534
<b>RLK 1662</b>	1600	600	200	1540	499	502	1519	170	575	1534
<b>RLK 1663</b>	1600	600	300	1540	499	502	1519	270	575	1534
<b>RLK 1852</b>	1800	500	200	1740	399	402	1719	170	475	1734
<b>RLK 1853</b>	1800	500	300	1740	399	402	1719	270	475	1734
<b>RLK 1862</b>	1800	600	200	1740	499	502	1719	170	575	1734
<b>RLK 1863</b>	1800	600	300	1740	499	502	1719	270	575	1734
<b>RLK 1882</b>	1800	800	200	1740	699	702	1719	170	775	1734
<b>RLK 1883</b>	1800	800	300	1740	699	702	1719	270	775	1734
<b>RLK 2052</b>	2000	500	200	1940	399	402	1919	170	475	1934
<b>RLK 2053</b>	2000	500	300	1940	399	402	1919	270	475	1934
<b>RLK 2062</b>	2000	600	200	1940	499	502	1919	170	575	1934
<b>RLK 2063</b>	2000	600	300	1940	499	502	1919	270	575	1934
<b>RLK 2082</b>	2000	800	200	1902	699	702	1919	170	775	1934
<b>RLK 2083</b>	2000	800	300	1902	699	702	1919	270	775	1934
<b>RLK 2262</b>	2200	600	200	2102	499	502	2119	170	575	2134
<b>RLK 2263</b>	2200	600	300	2102	499	502	2119	270	575	2134
<b>RLK 2282</b>	2200	800	200	2102	699	702	2119	170	775	2134
<b>RLK 2283</b>	2200	800	300	2102	699	702	2119	270	775	2134



## RFK - RISALITA CAVI FRONTALE

**Descrizione:** la risalita cavi frontale RFK è un vero e proprio armadio OK completo, ad esclusione della piastra interna. Può essere posizionato lateralmente o in posizione intermedia tra due armadi.

### Il codice RFK include:

- Telaio OK montato, completo di tetto e fondo con flange ingresso cavi
- Porta frontale cieca cod. DBE (pag. 18)
- Pannello retro avvitato cod. RPE (pag. 19)



### Elementi ordinabili a parte:

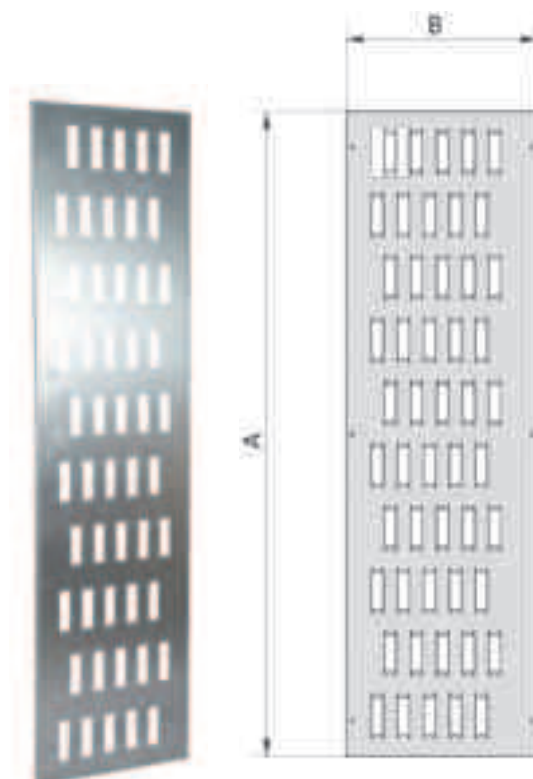
- Zoccolo h=100 / h=200 cod. ZAK + flange laterali cod. FLK (pagg. 22-23)
- Piastra montaggio interna PNA (pag. 20)
- Kit unione armadi cod. UTK770 / UTK700 (pag. 57)

CODICE	Dimensioni nominali		
	H	L	P
<b>RFK 1664</b>	<b>1600</b>	<b>600</b>	<b>400</b>
<b>RFK 1645</b>	<b>1600</b>	<b>400</b>	<b>500</b>
<b>RFK 1646</b>	<b>1600</b>	<b>400</b>	<b>600</b>
<b>RFK 1844</b>	<b>1800</b>	<b>400</b>	<b>400</b>
<b>RFK 1845</b>	<b>1800</b>	<b>400</b>	<b>500</b>
<b>RFK 1846</b>	<b>1800</b>	<b>400</b>	<b>600</b>
<b>RFK 1848</b>	<b>1800</b>	<b>400</b>	<b>800</b>
<b>RFK 2044</b>	<b>2000</b>	<b>400</b>	<b>400</b>
<b>RFK 2045</b>	<b>2000</b>	<b>400</b>	<b>500</b>
<b>RFK 2046</b>	<b>2000</b>	<b>400</b>	<b>600</b>
<b>RFK 2048</b>	<b>2000</b>	<b>400</b>	<b>800</b>
<b>RFK 2246</b>	<b>2200</b>	<b>400</b>	<b>600</b>
<b>RFK 2248</b>	<b>2200</b>	<b>400</b>	<b>800</b>

## PLC, PLF - PIASTRE PER RISALITE LATERALI SERIE OK

**PLC** - Piastra cieca per risalita cavi laterale RLK

**PLF** - Piastra preforata per risalita cavi laterale RLK



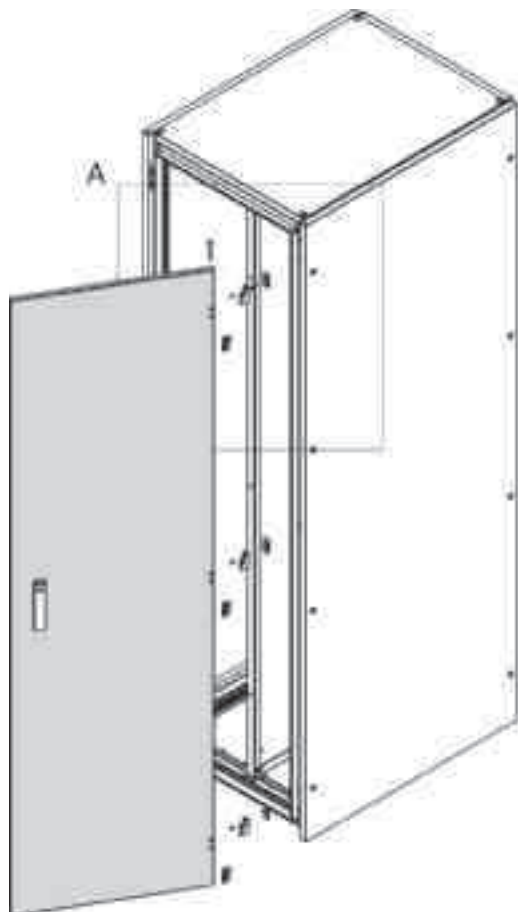
CODICE	Dimensioni nominali		Dimensioni Caratteristiche	
	H	P	A	B
<b>PLC164K</b>	<b>1600</b>	<b>400</b>	1534	375
<b>PLC165K</b>	<b>1600</b>	<b>500</b>	1534	475
<b>PLC166K</b>	<b>1600</b>	<b>600</b>	1534	575
<b>PLC185K</b>	<b>1800</b>	<b>500</b>	1734	475
<b>PLC186K</b>	<b>1800</b>	<b>600</b>	1734	575
<b>PLC188K</b>	<b>1800</b>	<b>800</b>	1734	775
<b>PLC205K</b>	<b>2000</b>	<b>500</b>	1934	475
<b>PLC206K</b>	<b>2000</b>	<b>600</b>	1934	575
<b>PLC208K</b>	<b>2000</b>	<b>800</b>	1934	775
<b>PLC226K</b>	<b>2200</b>	<b>600</b>	2134	575
<b>PLC228K</b>	<b>2200</b>	<b>800</b>	2134	775

CODICE	Dimensioni nominali		Dimensioni Caratteristiche	
	H	P	A	B
<b>PLF164K</b>	<b>1600</b>	<b>400</b>	1534	375
<b>PLF165K</b>	<b>1600</b>	<b>500</b>	1534	475
<b>PLF166K</b>	<b>1600</b>	<b>600</b>	1534	575
<b>PLF185K</b>	<b>1800</b>	<b>500</b>	1734	475
<b>PLF186K</b>	<b>1800</b>	<b>600</b>	1734	575
<b>PLF188K</b>	<b>1800</b>	<b>800</b>	1734	775
<b>PLF205K</b>	<b>2000</b>	<b>500</b>	1934	475
<b>PLF206K</b>	<b>2000</b>	<b>600</b>	1934	575
<b>PLF208K</b>	<b>2000</b>	<b>800</b>	1934	775
<b>PLF226K</b>	<b>2200</b>	<b>600</b>	2134	575
<b>PLF228K</b>	<b>2200</b>	<b>800</b>	2134	775

**Note:** per dettagli sugli adattatori per piastre connettori vedasi pag. 116

## FPK – Porta laterale armadio

**Descrizione:** la porta laterale è costruita in lamiera d'acciaio spessore 20/10, dotata di guarnizione poliuretanica a colata continua per garantire il grado di protezione minimo IP55 e telaio tubolare interno porta di rinforzo. Ha tre cerniere a giorno che permettono l'apertura della porta a 120°, il sistema di chiusura è standard doppia aletta 3 mm con cariglione interno.



DETAGLIO A

**FPK**

### Il codice FPK include:

- Porta laterale in RAL 7035 bucciato
- Kit piastrelle distanziali fissaggio cerniere e guarnizioni
- Kit cerniere laterali 120°
- Kit tappi chiusura fori montanti opposti lato cerniere.

### Ordinabile a parte:

- Set cerniere apertura 180° (vd. pag. 126)

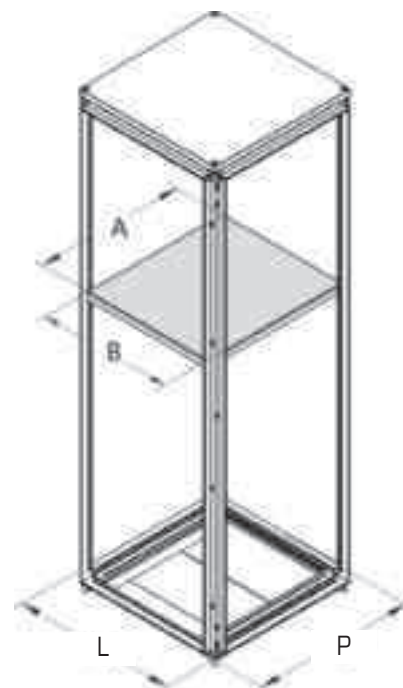
CODICE	Dimensioni nominali		Altre dimensioni	
	H	L	B	A
<b>FPK164</b>	<b>1600</b>	<b>400</b>	1594	358
<b>FPK165</b>	<b>1600</b>	<b>500</b>	1594	458
<b>FPK166</b>	<b>1600</b>	<b>600</b>	1594	558
<b>FPK184</b>	<b>1800</b>	<b>400</b>	1794	358
<b>FPK185</b>	<b>1800</b>	<b>500</b>	1794	458
<b>FPK186</b>	<b>1800</b>	<b>600</b>	1794	558
<b>FPK188</b>	<b>1800</b>	<b>800</b>	1794	758
<b>FPK18A</b>	<b>1800</b>	<b>1000</b>	1794	958
<b>FPK204</b>	<b>2000</b>	<b>400</b>	1994	358
<b>FPK205</b>	<b>2000</b>	<b>500</b>	1994	458
<b>FPK206</b>	<b>2000</b>	<b>600</b>	1994	558
<b>FPK208</b>	<b>2000</b>	<b>800</b>	1994	758
<b>FPK20A</b>	<b>2000</b>	<b>1000</b>	1994	958
<b>FPK224</b>	<b>2200</b>	<b>400</b>	2194	358
<b>FPK225</b>	<b>2200</b>	<b>500</b>	2194	458
<b>FPK226</b>	<b>2200</b>	<b>600</b>	2194	558
<b>FPK228</b>	<b>2200</b>	<b>800</b>	2194	758
<b>FPK22A</b>	<b>2200</b>	<b>1000</b>	2194	958

## SOAK, SVNK, SVSK - SEGREGAZIONI INTERNE SERIE OK

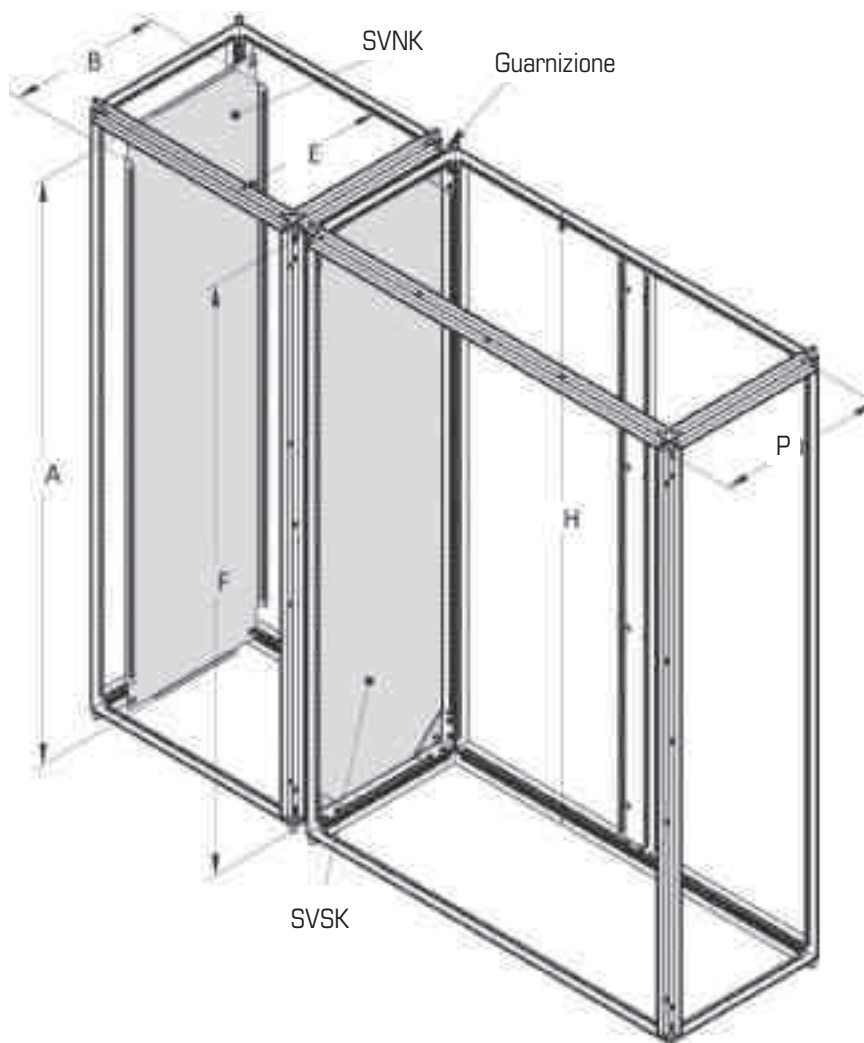
### Segregazioni orizzontali:

Isugli armadi OK servono per dividere due scomparti o da piani di appoggio apparecchiature, vengono avvitate direttamente ai montanti dell'armadio tramite apposito kit di viterie.

CODICE	DIMENSIONI			
	Nominali		Altre	
	L	P	A	B
SOAK605	600	500	499	401
SOAK606	600	600	499	501
SOAK608	600	800	499	701
SOAK804	800	400	699	301
SOAK805	800	500	699	401
SOAK806	800	600	699	501
SOAK808	800	800	699	701
SOAK105	1000	500	899	401
SOAK106	1000	600	899	501
SOAK108	1000	800	899	701
SOAK125	1200	500	1099	401
SOAK126	1200	600	1099	501
SOAK128	1200	800	1099	701
SOAK145	1400	500	1299	401
SOAK146	1400	600	1299	501
SOAK148	1400	800	1299	701
SOAK165	1600	500	1499	401
SOAK166	1600	600	1499	501
SOAK168	1600	800	1499	701



**Segregazioni verticali:** servono a dividere due armadi quando vengono montati in batteria per separare un vano dall'altro. La segregazione SVNK viene avvitata direttamente ai montanti dell'armadio, mentre la segregazione stagna SVSK viene inserita tra l'unione di due armadi.



CODICE	DIMENSIONI			
	Nominali		Altre	
	H	P	A	B
SVNK164	1600	400	1493	300
SVNK165	1600	500	1493	400
SVNK166	1600	600	1493	500
SVNK184	1800	400	1693	300
SVNK185	1800	500	1693	400
SVNK186	1800	600	1693	500
SVNK188	1800	800	1693	700
SVNK204	2000	400	1893	300
SVNK205	2000	500	1893	400
SVNK206	2000	600	1893	500
SVNK208	2000	800	1893	700
SVNK226	2200	600	2093	500
SVNK228	2200	800	2093	700

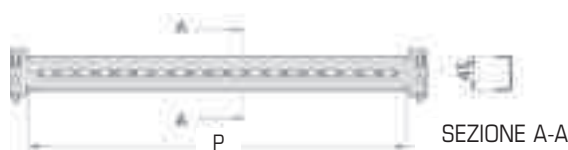
CODICE	DIMENSIONI			
	Nominali		Altre	
	H	P	F	E
SVSK164	1600	400	1509	319
SVSK165	1600	500	1509	419
SVSK166	1600	600	1509	519
SVSK184	1800	400	1709	319
SVSK185	1800	500	1709	419
SVSK186	1800	600	1709	519
SVSK188	1800	800	1709	719
SVSK204	2000	400	1909	319
SVSK205	2000	500	1909	419
SVSK206	2000	600	1909	519
SVSK208	2000	800	1909	719
SVSK226	2200	600	2109	519
SVSK228	2200	800	2109	719

## ST, DT, TT TRAVERSINI SERIE OK

**Descrizione:** serie di traversini perforati in lamiera zincata. La foratura è prevista sia per l'inserimento di dadi a gabbia M6, che per viti automaschianti M5.



**STK**

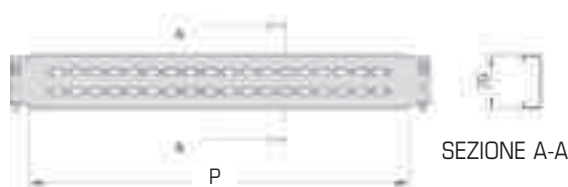


**TRAVERSINO STK H=45 mm**

CODICE	Dimensioni nominali	Profondità armadio	Altre dimensioni
		P	
STK445	400	400	300
STK545	500	500	400
STK645	600	600	500
STK845	800	800	700
STKA45	1000	1000	900

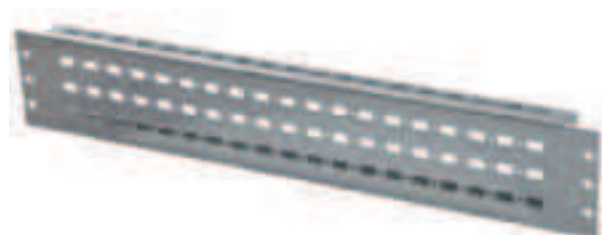


**DTK**

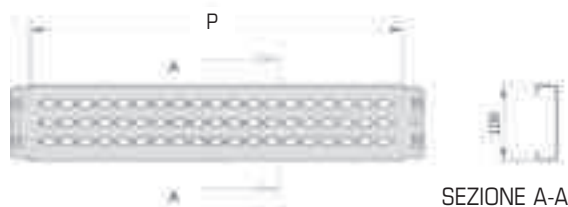


**TRAVERSINO DTK H=70 mm**

CODICE	Dimensioni nominali	Profondità armadio	Altre dimensioni
		P	
DTK475	400	400	300
DTK575	500	500	400
DTK675	600	600	500
DTK875	800	800	700
DTKA75	1000	1000	900



**TTK**



**TRAVERSINO TTK H=100 mm**

CODICE	Dimensioni nominali	Profondità armadio	Altre dimensioni
		P	
TTK410	400	400	300
TTK510	500	500	400
TTK610	600	600	500
TTK810	800	800	700
TTKA10	1000	1000	900

**Nota:** per uno schema dettagliato dell'utilizzo dei vari traversini di montaggio, vedasi pag. 178



## SC, DC, TC Traversini serie OK

**Descrizione:** serie di traversini in lamiera zincata.



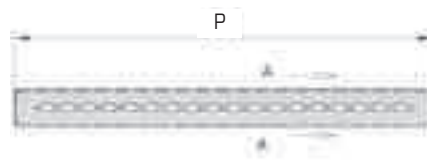
**SCK**



**DCK**



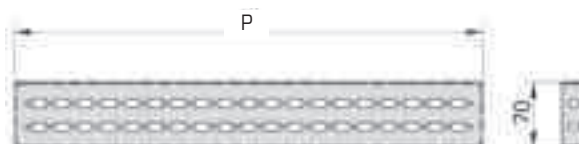
**TCK**



SEZIONE A-A

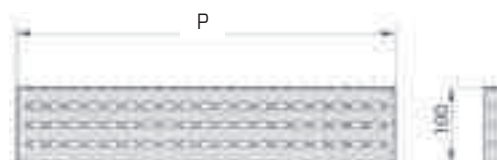
### TRAVERSINO SCK H=45 mm

CODICE	Dimensioni nominali	Profondità Larghezza	Altre dimensioni
		P	
<b>SCK407</b>	<b>400</b>	400	302
<b>SCK507</b>	<b>500</b>	500	402
<b>SCK607</b>	<b>600</b>	600	502
<b>SCK807</b>	<b>800</b>	800	702
<b>SCKA07</b>	<b>1000</b>	1000	902
<b>SCKC07</b>	<b>1200</b>	1200	1102



### TRAVERSINO DCK H=70 mm

CODICE	Dimensioni nominali	Profondità Larghezza	Altre dimensioni
		P	D
<b>DCK407</b>	<b>400</b>	400	302
<b>DCK507</b>	<b>500</b>	500	402
<b>DCK607</b>	<b>600</b>	600	502
<b>DCK807</b>	<b>800</b>	800	702
<b>DCKA07</b>	<b>1000</b>	1000	902
<b>DCKC07</b>	<b>1200</b>	1200	1102



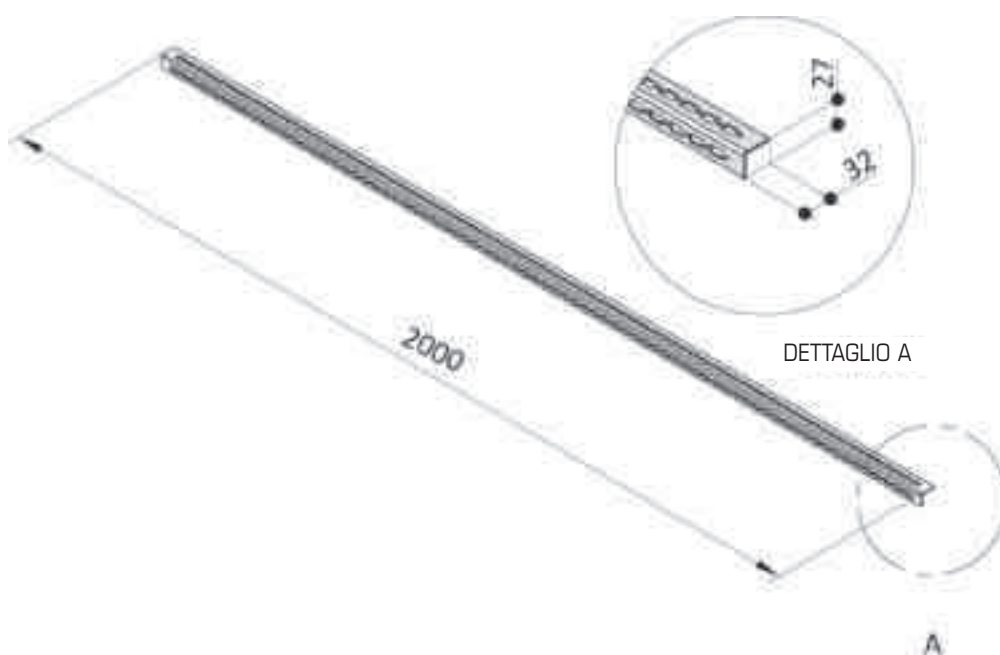
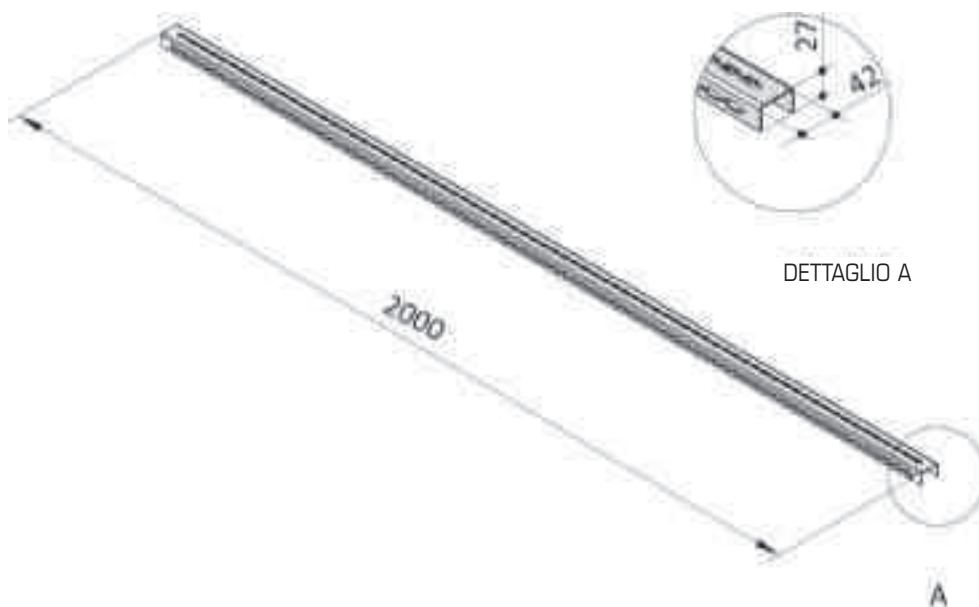
### TRAVERSINO TCK H=100 mm

CODICE	Dimensioni nominali	Profondità Larghezza	Altre dimensioni
		P	
<b>TCK401</b>	<b>400</b>	400	302
<b>TCK501</b>	<b>500</b>	500	402
<b>TCK601</b>	<b>600</b>	600	502
<b>TCK801</b>	<b>800</b>	800	702
<b>TCKA01</b>	<b>1000</b>	1000	902
<b>TCKC01</b>	<b>1200</b>	1200	1102

**Nota:** per uno schema dettagliato dell'utilizzo dei vari traversini di montaggio, vedasi pag. 178

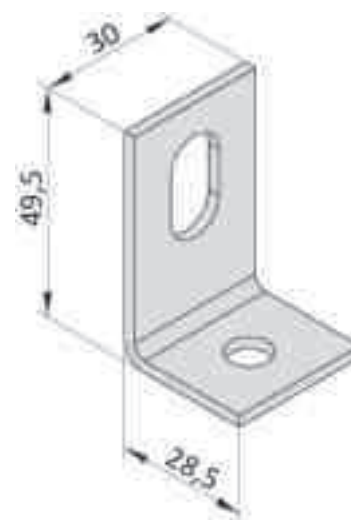
## STA, STF, SQK - Traversini serie OK

**Descrizione:** serie di profili verticali zincati, da montare all'interno degli armadi OK o da tagliare a misura per qualsiasi utilizzo.


**STA200**

**STF200**


### Staffa SQK380 per armadi serie OK.

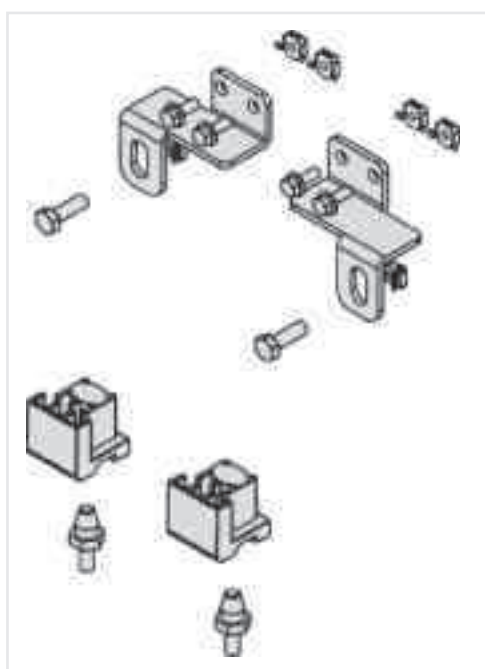
Vengono usate prevalentemente per fissare i profili STA ed STF, oltre ad altri accessori il cui fissaggio avviene su piani ortogonali fra loro.

**SQK380**


**Nota:** per uno schema dettagliato dell'utilizzo dei vari traversini di montaggio, vedasi pag. 178

## APK110 - Kit arretramento piastra montaggio

**Descrizione:** il kit permette di posizionare la piastra interna di montaggio perfettamente a filo tra i due montanti dell'armadio OK.



### Il codice APK110 include:

- 2 staffe superiori destra e sinistra
- 4 rosette M8
- 2 viti testa Torx M8
- 4 dadi in gabbia per esterno M8
- 2 dadi M8
- 2 piedini scorrimento piastra
- 2 perni conici M6 fissaggio piastra

**Nota:** vedasi pag. 172 per dettagli sulle distanze disponibili grazie al kit APK110.

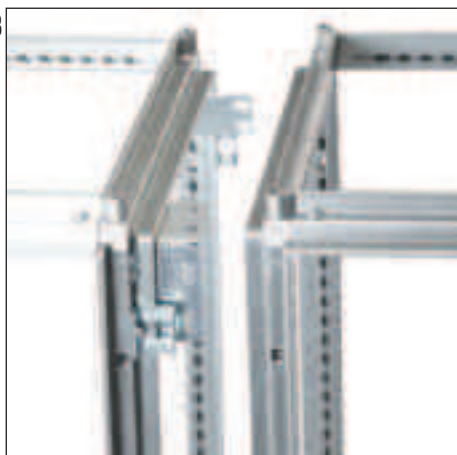
## UTK - Kit unione armadi serie OK

**Descrizione:** il kit per l'unione degli armadi in batteria è un set completo di appositi accessori che consentono di mantenere il grado di protezione interno "IP" e irrigidiscono le strutture.

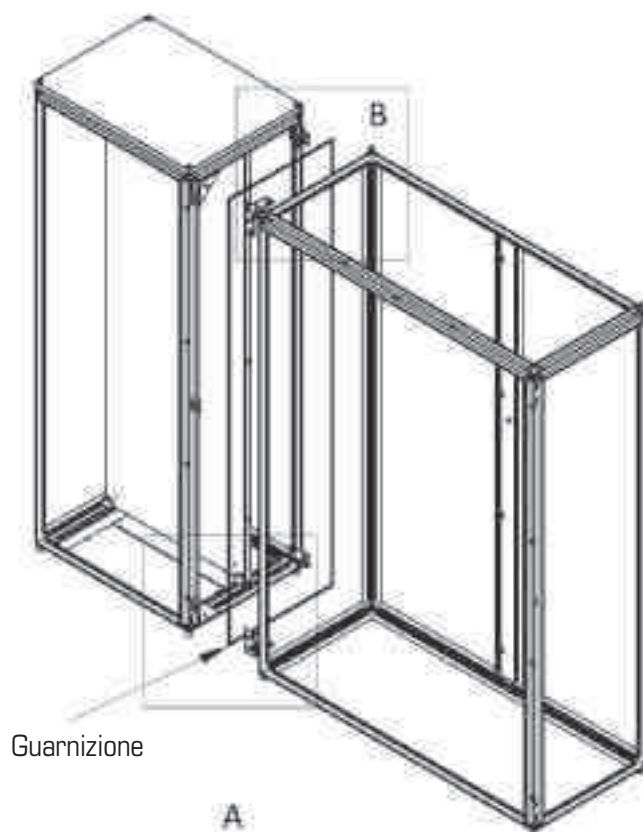
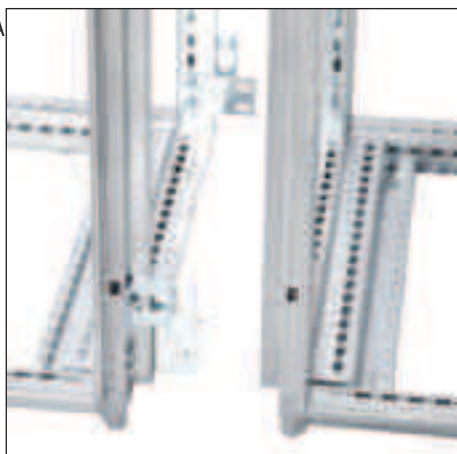
Codice **UTK700**, kit unione armadi sciolto

Codice **UTK770**, kit unione armadi compreso il montaggio in batteria

Dettaglio B



Dettaglio A



### Il codice UTK700 include:

- 28 viti M6 x 16
- 4 staffe interne angolari
- 6 staffe esterne distanziali
- 28 dadi in gabbia per esterno M6
- 1 guarnizione perimetrale per fianco

**UTK700**

## TPK - Tetto parapoggia per armadi OK

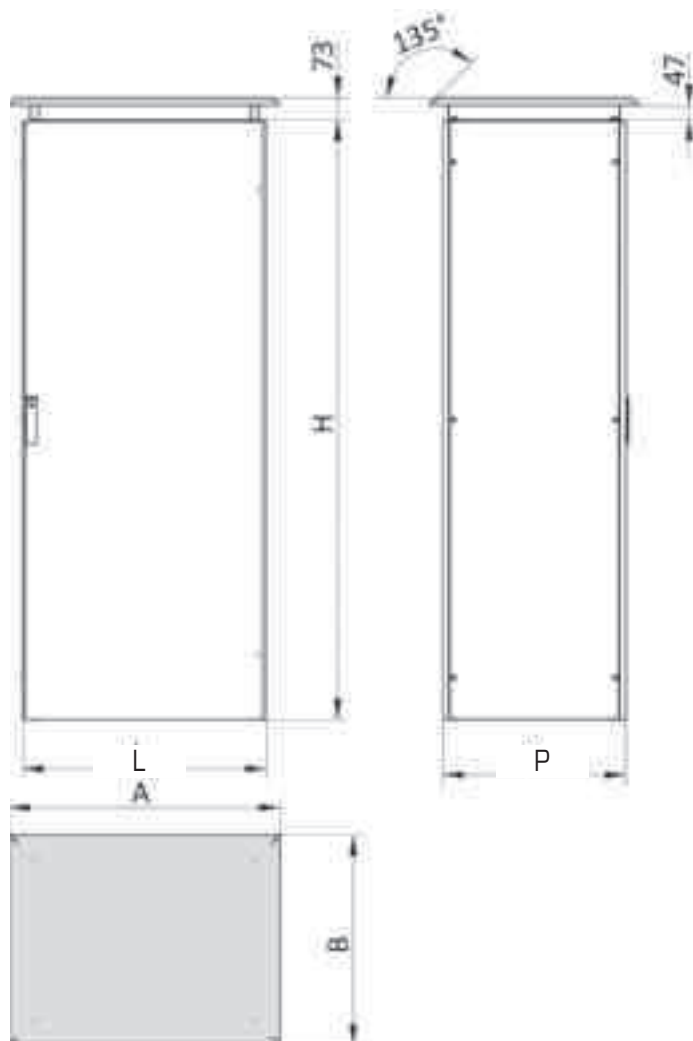
**Descrizione:** tetto protettivo in lamiera d'acciaio zincata da montare, mediante quattro staffe, nella parte superiore degli armadi, avvalendosi delle forature dei golfari.



Larghezza armadio	Profondità armadio						
	400	500	600	800	1000	1200	1400
<b>400</b>	TPK044	TPK054	TPK064	TPK084	TPK104	TPK124	TPK144
<b>500</b>	TPK054	TPK055	TPK065	TPK085	TPK105	TPK125	TPK145
<b>600</b>	TPK064	TPK065	TPK066	TPK086	TPK106	TPK126	TPK146
<b>800</b>	TPK084	TPK085	TPK086	TPK088	TPK108	TPK128	TPK148
<b>1000</b>	TPK104	TPK105	TPK106	TPK108	TPK10A	TPK12A	TPK14A
<b>1200</b>	TPK124	TPK125	TPK126	TPK128	TPK12A	TPK12C	TPK14C
<b>1400</b>	TPK144	TPK145	TPK146	TPK148	TPK14A	TPK14C	TPK14D
<b>1600</b>	TPK164	TPK165	TPK166	TPK168	TPK16A	TPK16C	TPK16D

CODE	Dimensioni nominali		Altre dimensioni	
	L	P	A	B
TPK044	400	400	503	503
TPK054	500	400	603	503
TPK055	500	500	603	603
TPK064	600	400	703	503
TPK065	600	500	703	603
TPK066	600	600	703	703
TPK084	800	400	903	503
TPK085	800	500	903	603
TPK086	800	600	903	703
TPK088	800	800	903	903
TPK104	1000	400	1103	503
TPK105	1000	500	1103	603
TPK106	1000	600	1103	703
TPK108	1000	800	1103	903
TPK10A	1000	1000	1103	1103
TPK124	1200	400	1303	503
TPK125	1200	500	1303	603
TPK126	1200	600	1303	703
TPK128	1200	800	1303	903
TPK12A	1200	1000	1303	1103
TPK12C	1200	1200	1303	1303
TPK144	1400	400	1503	503
TPK145	1400	500	1503	603
TPK146	1400	600	1503	703
TPK148	1400	800	1503	903
TPK14A	1400	1000	1503	1103
TPK14C	1400	1200	1503	1303
TPK14D	1400	1400	1503	1503
TPK164	1600	400	1703	503
TPK165	1600	500	1703	603
TPK166	1600	600	1703	703
TPK168	1600	800	1703	903
TPK16A	1600	1000	1703	1103
TPK16C	1600	1200	1703	1303
TPK16D	1600	1400	1703	1503

### TPK Codici e dimensioni



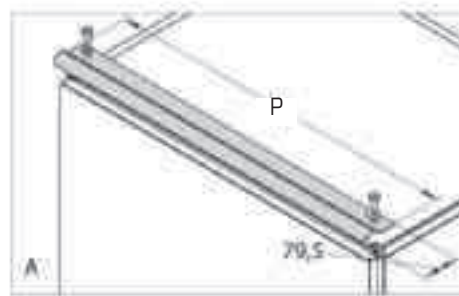
## PFR - Profilo parapioggia ridotto per armadi OK

**Descrizione:** Il profilo parapioggia ridotto viene applicato su armadi che richiedono una particolare attenzione al grado di protezione IP.

Viene applicato nella parte frontale dell'armadio sopra la porta, fissandolo sui fori dei golfari ed interponendo fra il profilo ed il tetto una guarnizione di tenuta.

### Il codice PFR include:

- Profilo ridotto parapioggia;
- Guarnizione;
- Viti fissaggio.



### PFR

CODICE	Dimensioni nominali	Larghezza
		L
PFR040	400	398
PFR050	500	498
PFR060	600	598
PFR080	800	798
PFR100	1000	998
PFR120	1200	1198
PFR140	1400	1398
PFR160	1600	1598



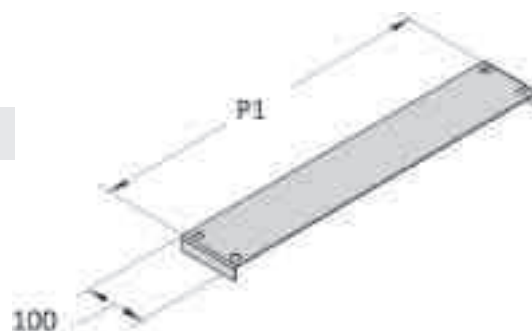
## TPP - Profilo unione tetti armadi OK in batteria

**Descrizione:** Il profilo unione tetti viene inserito fra i tetti degli armadi quando vi sono più armadi in batteria.

Viene fissato congiuntamente ai tetti degli armadi affiancati e colma l'intercapedine che rimane fra loro.



### TPP



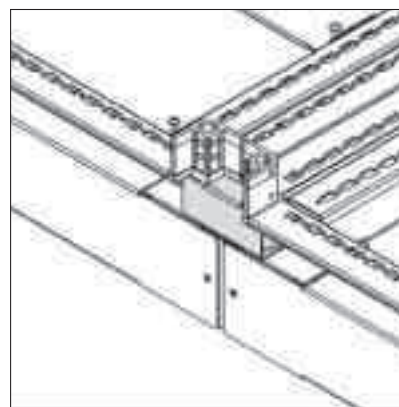
CODICE	DIMENSIONI	
	Nominale	Reale
	P	P1
TTP040	400	367
TTP050	500	467
TTP060	600	567
TTP080	800	767
TTP100	1000	967

## PUBK10 - Profilo di unione alle Basi

**Descrizione:** Il profilo viene inserito fra i telai alla base degli armadi quando sono in batteria.

Viene fissato congiuntamente ai basamenti degli armadi affiancati e colma l'intercapedine che rimane fra i telai di base una volta che vengono affiancati.

### PUBK10



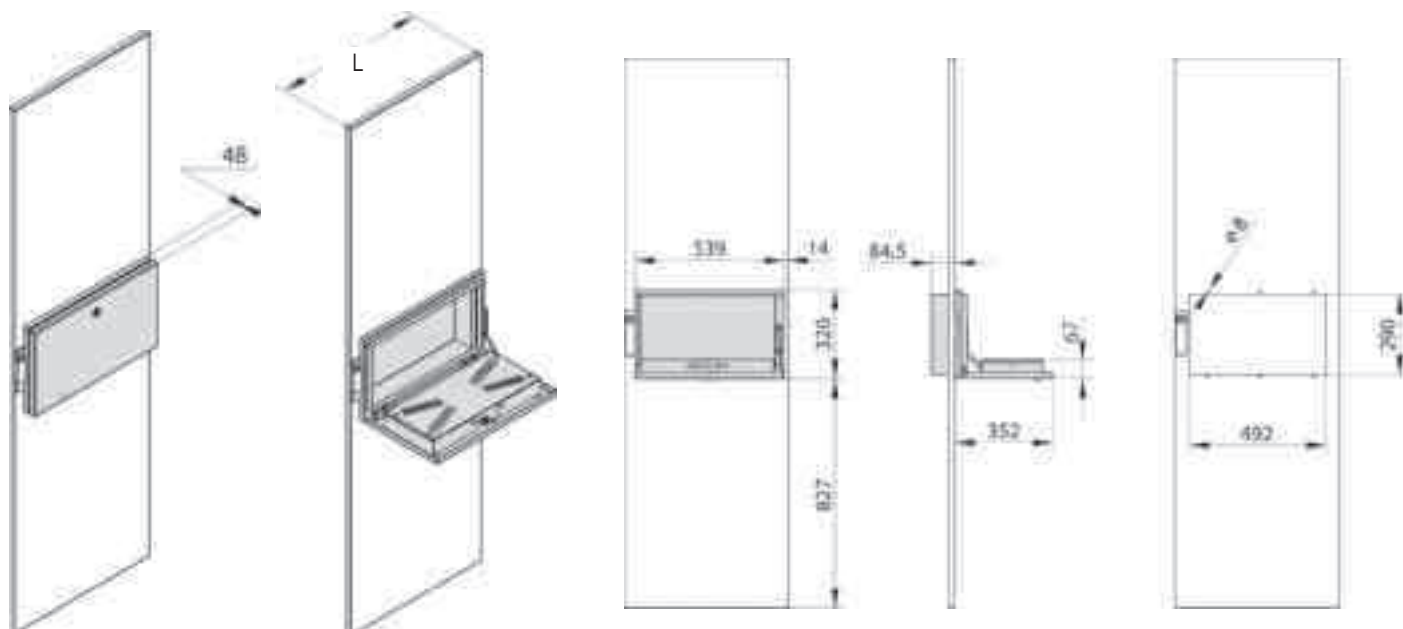
CODICE	DIMENSIONI	
	Nominali	Reali
	L	
PUBK10	All	100x42

## CSTK70 - Cassetto portatastiera a ribalta

**Descrizione:** Nelle porte degli armadi con larghezza minima 800 mm è possibile montare il cassetto portatastiera a ribalta. E' corredato di apposito cubicolo stagno per l'alloggiamento della tastiera del PC che consente di mantenere il grado di protezione dell'armadio a cassetto aperto.

In tabella vengono evidenziate le dimensioni caratteristiche del cassetto e la posizione del cassetto sulla porta cui può essere applicato (quota H1).

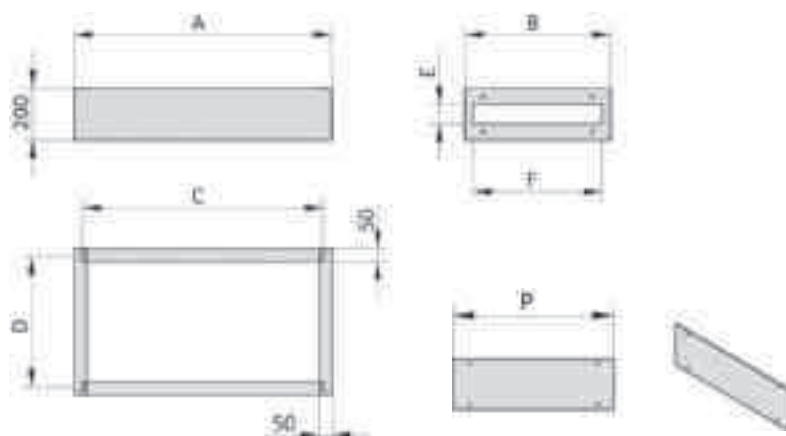
### CSTK70



CODICE	DIMENSIONI		
	Altezza porta	Larghezza porta	Altezza
	H		H1
CSTK70	Tutte	da 800 a 1200	personalizzata

## ZCC e FZ2 - Zoccolo chiuso a pavimento H=200

**Descrizione:** Gli zoccoli chiusi a pavimento sono di altezza 200 mm (a richiesta 100 mm). Sono costruiti in lamiera d'acciaio spessore 20/10. Sono dotati di due flange di ingresso laterale. Consentono di mantenere il grado di protezione.



**ZCC**

**FZ2**



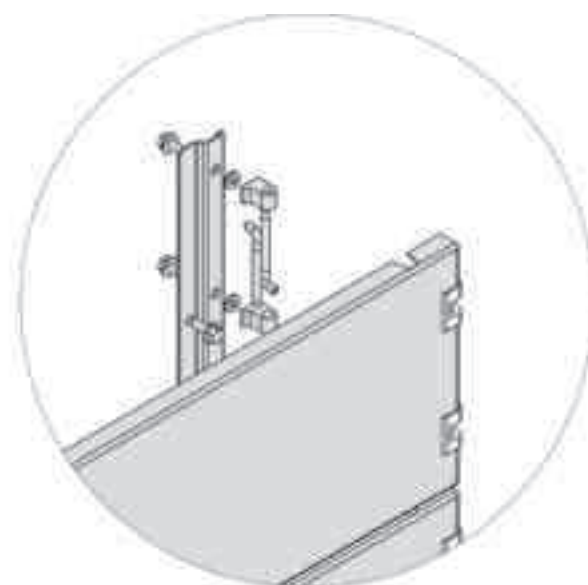
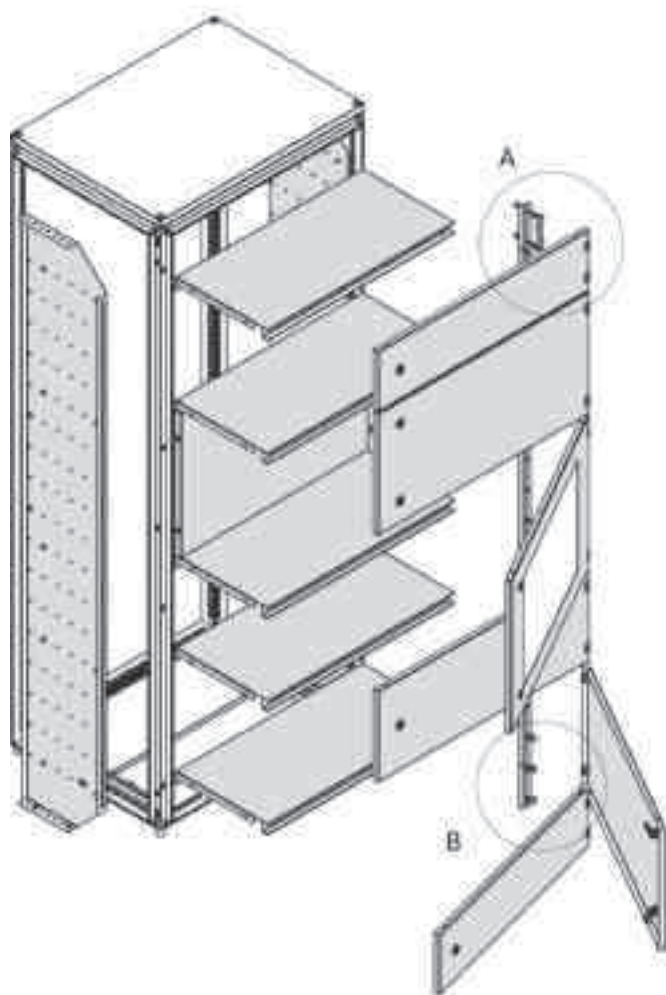
Zoccolo ZCC	Flangia FZ2	Dimensioni nominali		Altre dimensioni					
		L	P	A	B	C	D	E	F
<b>H=200</b>	<b>H=200</b>								
ZCC0252	FZ2500	200	500	196	460	134	434	90	400
ZCC0262	FZ2600	200	600	196	560	134	534	90	500
ZCC0282	FZ2800	200	800	196	760	134	734	90	700
ZCC02A2	FZ2A00	200	1000	196	960	134	934	90	900
ZCC0352	FZ2500	300	500	296	460	234	434	90	400
ZCC0362	FZ2600	300	600	296	560	234	534	90	500
ZCC0382	FZ2800	300	800	296	760	234	734	90	700
ZCC03A2	FZ2A00	300	1000	296	960	234	934	90	900
ZCC0442	FZ2400	400	400	396	360	334	334	90	300
ZCC0452	FZ2500	400	500	396	460	334	434	90	400
ZCC0462	FZ2600	400	600	396	560	334	534	90	500
ZCC0482	FZ2800	400	800	396	760	334	734	90	700
ZCC04A2	FZ2A00	400	1000	396	960	334	934	90	900
ZCC0642	FZ2400	600	400	596	360	534	334	90	300
ZCC0652	FZ2500	600	500	596	460	534	434	90	400
ZCC0662	FZ2600	600	600	596	560	534	534	90	500
ZCC0682	FZ2800	600	800	596	760	534	734	90	700
ZCC06A2	FZ2A00	600	1000	596	960	534	934	90	900
ZCC0842	FZ2400	800	400	796	360	734	334	90	300
ZCC0852	FZ2500	800	500	796	460	734	434	90	400
ZCC0862	FZ2600	800	600	796	560	734	534	90	500
ZCC0882	FZ2800	800	800	796	760	734	734	90	700
ZCC08A2	FZ2A00	800	1000	796	960	734	934	90	900
ZCC1042	FZ2400	1000	400	996	360	934	334	90	300
ZCC1052	FZ2500	1000	500	996	460	934	434	90	400
ZCC1062	FZ2600	1000	600	996	560	934	534	90	500
ZCC1082	FZ2800	1000	800	996	760	934	734	90	700
ZCC10A2	FZ2A00	1000	1000	996	960	934	934	90	900
ZCC1242	FZ2400	1200	400	1196	360	1134	334	90	300
ZCC1252	FZ2500	1200	500	1196	460	1134	434	90	400
ZCC1262	FZ2600	1200	600	1196	560	1134	534	90	500
ZCC1282	FZ2800	1200	800	1196	760	1134	734	90	700
ZCC12A2	FZ2A00	1200	1000	1196	960	1134	934	90	900
ZCC1442	FZ2400	1400	400	1396	360	1334	334	90	300
ZCC1452	FZ2500	1400	500	1396	460	1334	434	90	400
ZCC1462	FZ2600	1400	600	1396	560	1334	534	90	500
ZCC1482	FZ2800	1400	800	1396	760	1334	734	90	700
ZCC14A2	FZ2A00	1400	1000	1396	960	1334	934	90	900
ZCC1642	FZ2400	1600	400	1596	360	1534	334	90	300
ZCC1652	FZ2500	1600	500	1596	460	1534	434	90	400
ZCC1662	FZ2600	1600	600	1596	560	1534	534	90	500
ZCC1682	FZ2800	1600	800	1596	760	1534	734	90	700
ZCC16A2	FZ2A00	1600	1000	1596	960	1534	934	90	900



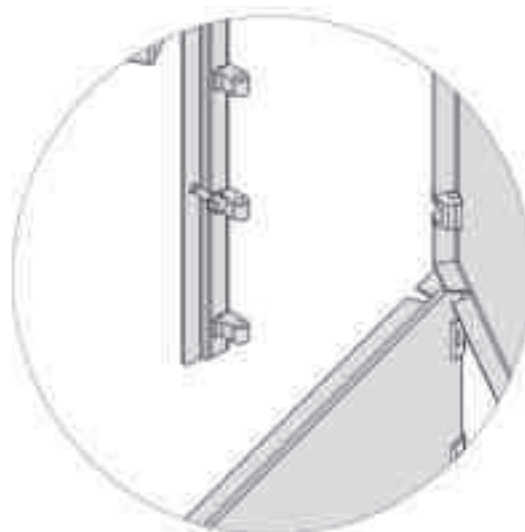
## OK MCC - Elementi modulari esterni

**Descrizione:** Il sistema di elementi modulari esterni per armadi serie OK include una serie completa di elementi, quali porte esterne modulari, segregazioni orizzontali e verticali interne, piastre modulari, ecc. Nel dettaglio (A) è visibile il supporto modulare MDK da fissare al montante dell'

l'armadio per il montaggio delle porte esterne. Nel dettaglio (B) lo stesso supporto con la parte di cerniera che viene fissata al supporto modulare. Essendo il supporto a foratura modulare è possibile agganciarvi qualsiasi combinazione di porte.



DETTAGLIO A



DETTAGLIO B

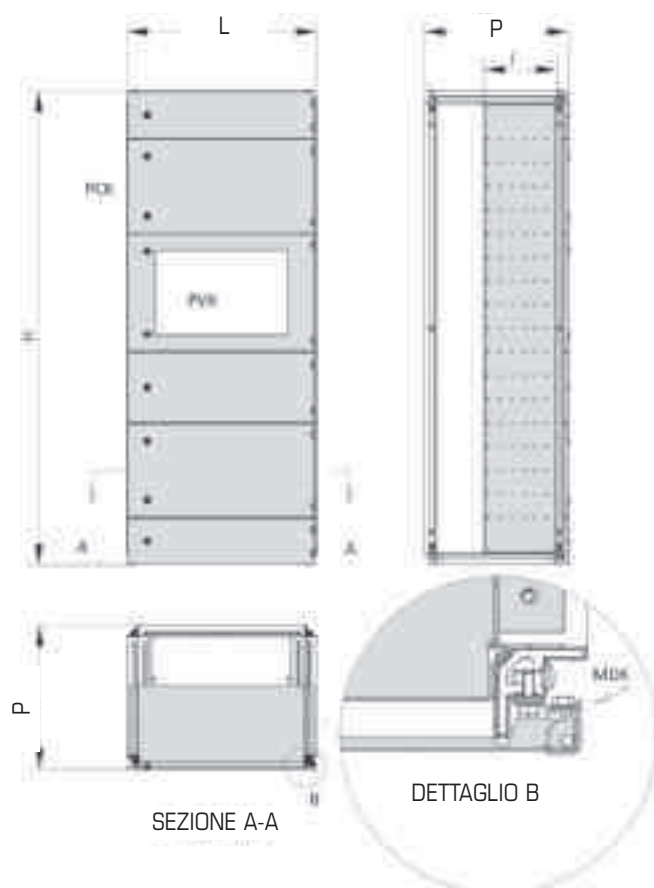
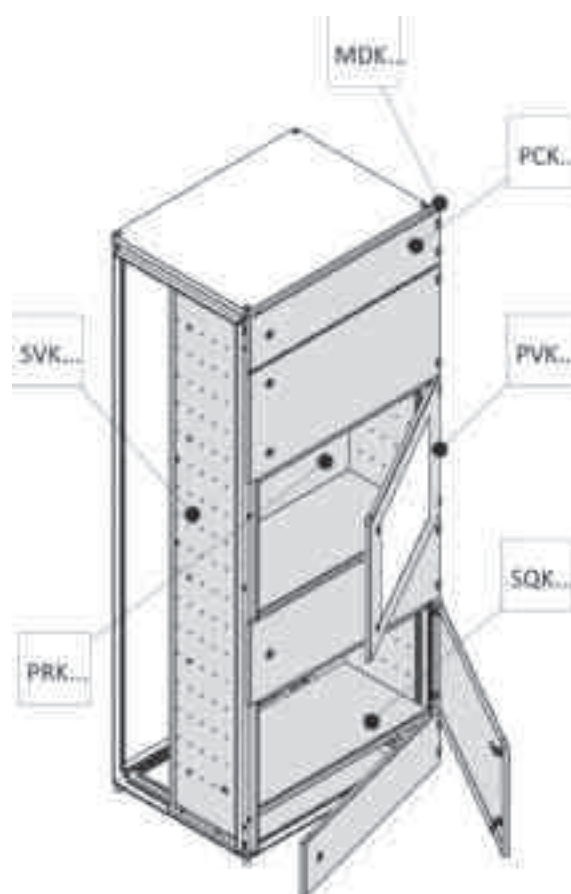
## OK MCC - Elementi modulari esterni

**Descrizione:** il sistema di elementi modulari esterni include la serie di porte ridotte (PCK) di altezza da un minimo di 200 mm ad un massimo di 1000 mm, con incremento di 200 mm. Le porte possono essere cieche o con finestratura trasparente (PVK).

Le porte modulari esterne vengono fissate ad un supporto modulare esterno (MDK) fissato al montante dell'armadio, permettendo combinazioni multiple a seconda l'altezza dell'armadio.

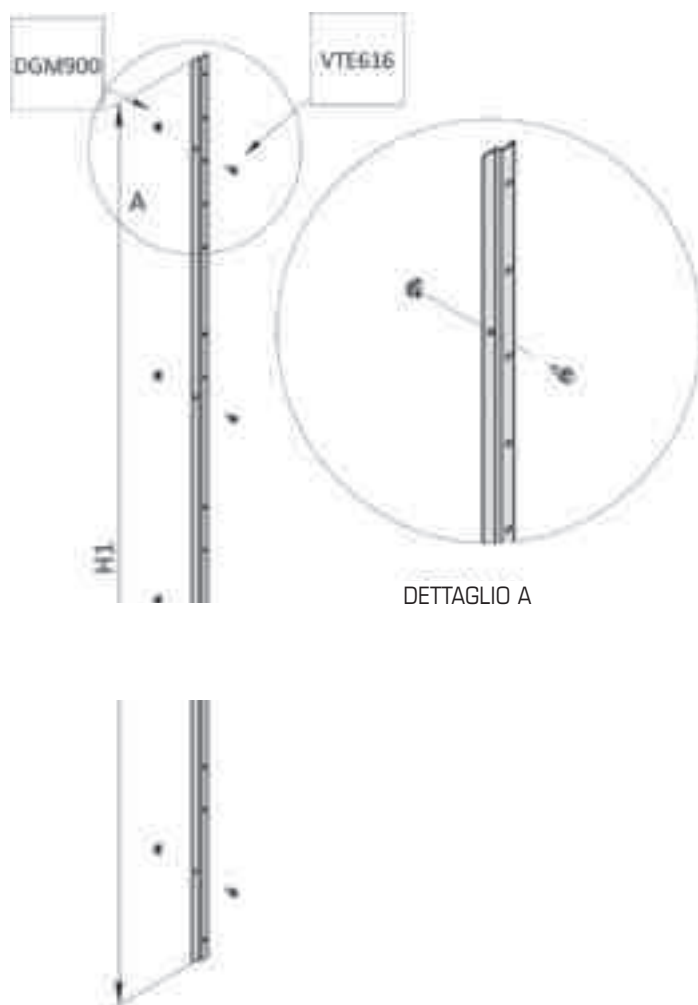
Internamente si possono installare le coppie di segregazioni verticali modulari (SVK), sulle quali, con la medesima disposizione scelta per le porte, vengono fissate le segregazioni orizzontali (SOK) e le piastre interne ridotte (PRK). Le piastre interne possono essere regolate in profondità, fino alla profondità massima concessa dalle segregazioni verticali. Le segregazioni orizzontali sono dotate di traversini di battuta porta in modo da consentire il mantenimento del grado di protezione.

È importante notare che una volta scelta la combinazione delle porte la loro disposizione può essere variata, grazie al fatto che sono tutte avvitate.



**Esempio di composizione di una colonna con sistema OK MCC:** l'altezza disponibile per l'inserimento di porte (e piastre) modulari è quella nominale dell'armadio, se l'armadio è  $h=2000\text{mm}$  e  $l=600\text{mm}$ , sarà necessario installare 1 x MDK200 e, ad esempio, 10 x PCK602 e 10x PRK602 (oltre alle segregazioni verticali SVK e orizzontali SOK, vedasi pagg. seguenti).

## MDK SUPPORTO MODULARE ESTERNO



**Descrizione:** Montante modulare esterno per fissaggio porte modulari PCK.

Viene fissato sul montante del telaio degli armadi serie OK. Grazie alla sua modularità permette il fissaggio delle porte esterne nella disposizione voluta dall'utilizzatore, fino a completare l'altezza dell'armadio.

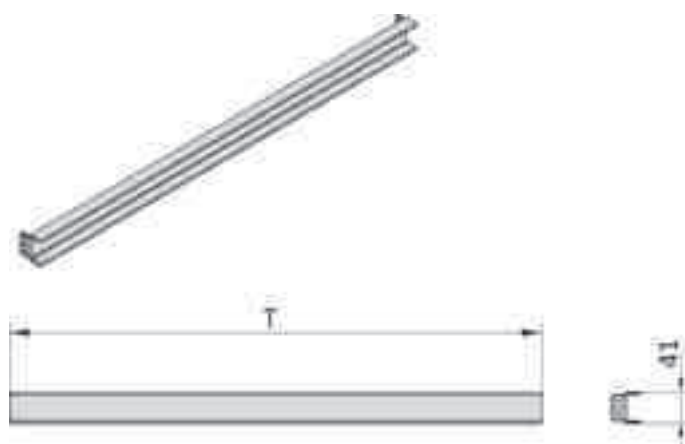
**Il codice MDK include:**

- montante modulare esterno;
- dadi in gabbia da inserire nel montante dell'armadio;
- viti per il fissaggio del montante modulare esterno.

### MDK

CODICE	Dimensioni nominali	Altre dimensioni	
	H	H1	
<b>MDK160</b>	<b>1600</b>	1551	38
<b>MDK180</b>	<b>1800</b>	1751	38
<b>MDK200</b>	<b>2000</b>	1951	38
<b>MDK220</b>	<b>2200</b>	2151	38

## TBK - TRAVERSINO BATTUTA PORTE



**Descrizione:** Per alcune applicazioni particolari è disponibile anche un traversino, fornibile su richiesta, non accorpato alla segregazione orizzontale.

### TBK

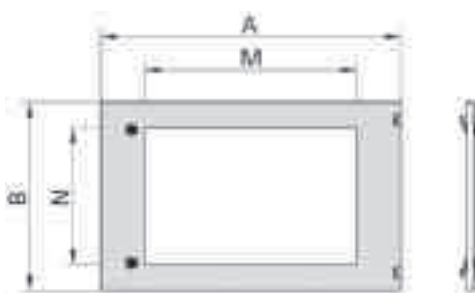
CODICE	Dimensioni		
	Nominali	Altre	
	L	T	H
<b>TBK602</b>	<b>600</b>	502	41
<b>TBK802</b>	<b>800</b>	702	41

## PCK - PVK - PORTE ESTERNE MODULARI CIECHE E TRASPARENTI

### PCK



### PVK



CODICE	Dimensioni nominali		Other dimensions		CODICE	Altre dimensioni	
	L	H	A	B		M	N
PCK602	600	200	593	194	-	-	-
PCK603	600	300	593	294	-	-	-
PCK604	600	400	593	394	PVK604	360	260
PCK606	600	600	593	594	PVK606	360	460
PCK608	600	800	593	794	PVK608	360	660
PCK610	600	1000	593	994	PVK610	360	860
PCK802	800	200	793	194	-	-	-
PCK803	800	300	793	294	-	-	-
PCK804	800	400	793	394	PVK804	560	260
PCK805	800	500	793	494	-	-	-
PCK806	800	600	793	594	PVK806	560	460
PCK808	800	800	793	794	PVK808	560	660
PCK810	800	1000	793	994	PVK810	560	860
PCKA02	1000	200	993	194	-	-	-
PCKA04	1000	400	993	394	PVKA04	760	260
PCKA06	1000	600	993	594	PVKA06	760	460
PCKA08	1000	800	993	794	PVKA08	760	660
PCKA10	1000	1000	993	994	PVKA10	760	860

## PRK - PIASTRA INTERNA RIDOTTA

### PRK



**Descrizione:** La piastra interna ridotta viene avvitata in quattro punti ai lati nella segregazione verticale ed è protetta dalle segregazioni orizzontali.

Per mezzo delle forature a passo sulle segregazioni verticali è possibile regolare la sua posizione nel senso della profondità.

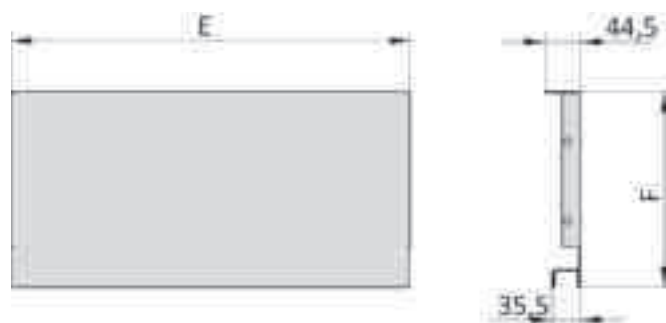
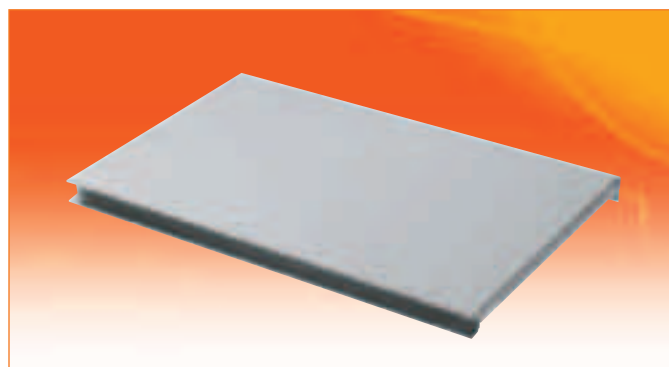
CODICE	Dimensioni nominali		Altre dimensioni	
	L	H	C	D
PRK602	600	200	501	168
PRK603	600	300	501	268
PRK604	600	400	501	368
PRK606	600	600	501	568
PRK608	600	800	501	768
PRK610	600	1000	501	968
PRK802	800	200	701	168
PRK803	800	300	701	268
PRK804	800	400	701	368
PRK805	800	500	701	468
PRK806	800	600	701	568
PRK810	800	1000	701	968
PRKA02	1000	200	901	168
PRKA04	1000	400	901	368
PRKA08	1000	800	901	768

## SOK - SEGREGAZIONE ORIZZONTALE

**Descrizione:** Le segregazioni orizzontali in lamiera d'acciaio galvanizzato integrano anche il traversino frontale sul quale fanno battuta le porte modulari.

### SOK

CODICE	Dimensioni nominali	Altre dimensioni	
	L	E	F
<b>SOK602T</b>	<b>600</b>	542	200
<b>SOK802T</b>	<b>800</b>	742	200
<b>SOKA02T</b>	<b>1000</b>	942	200
<b>SOK604T</b>	<b>600</b>	542	400
<b>SOK804T</b>	<b>800</b>	742	400
<b>SOKA04T</b>	<b>1000</b>	942	400

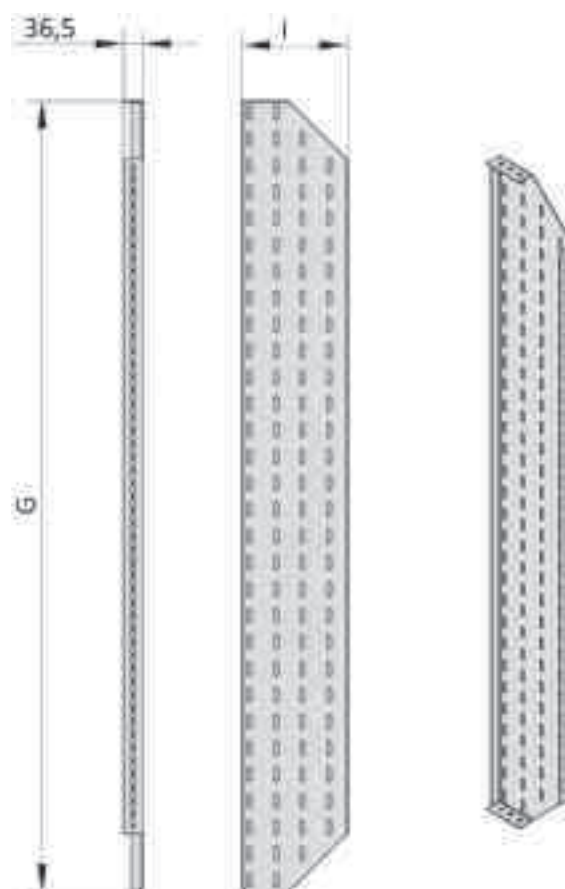


## SVK - SEGREGAZIONE VERTICALE

**Descrizione:** le segregazioni verticali sono in lamiera zincata e sono predisposte per il fissaggio degli elementi modulari, quali segregazioni orizzontali e piastre interne modulari.

### SVK

CODICE	Dimensioni nominali	Altre dimensioni	
	H	G	I
<b>SVK182</b>	<b>1800</b>	1694	200
<b>SVK202</b>	<b>2000</b>	1894	200
<b>SVK222</b>	<b>2200</b>	2094	200
<b>SVK184</b>	<b>1800</b>	1694	400
<b>SVK204</b>	<b>2000</b>	1894	400
<b>SVK224</b>	<b>2200</b>	2094	400

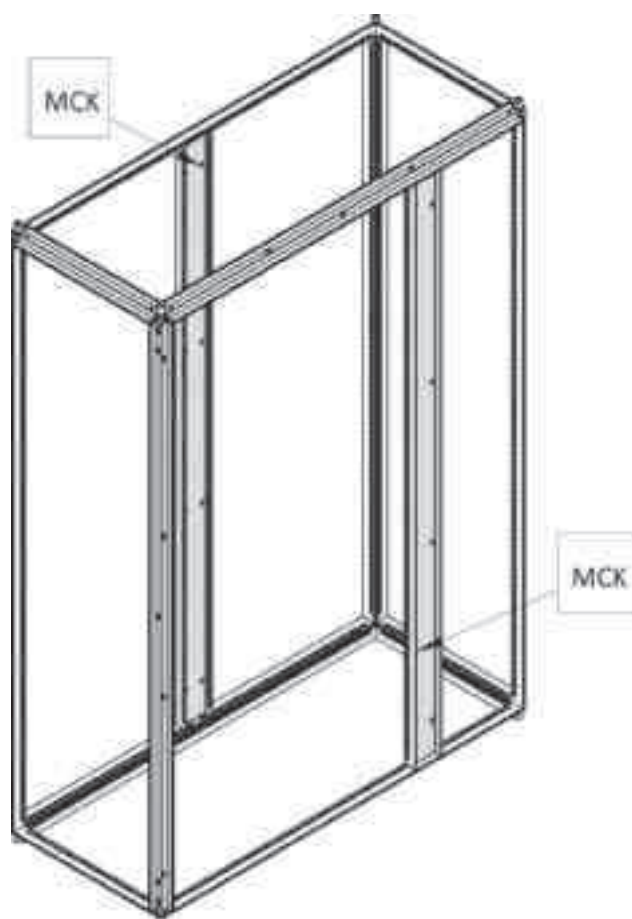
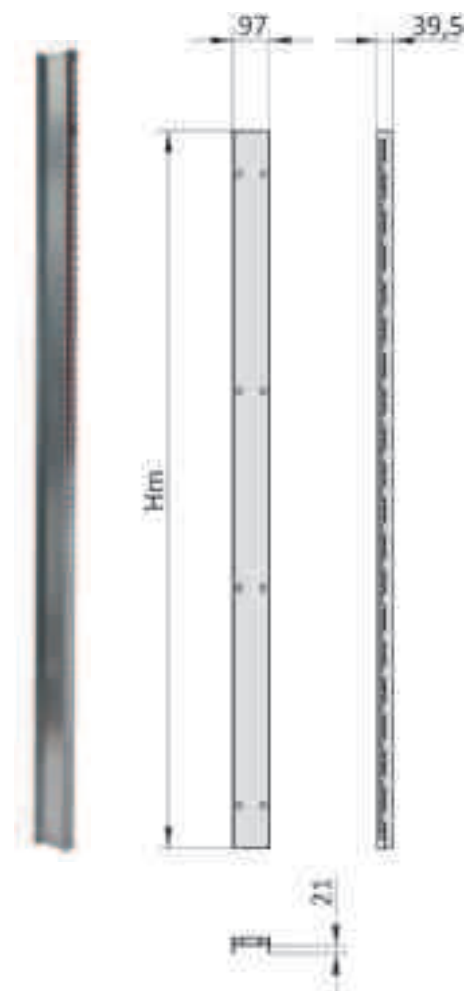


## MCK - MONTANTE CENTRALE PER ARMADI OK

**Descrizione:** Il montante centrale è predisposto per le varie altezze di armadio OK e viene avvitato ai correnti del telaio in qualsiasi posizione tale da permettere la battuta delle porte modulari e delle risalite cavi.

### MCK

CODICE	Dimensioni nominali	Altre dimensioni	
	H	Hm	
<b>MCK160</b>	<b>1600</b>	1495	97
<b>MCK180</b>	<b>1800</b>	1695	97
<b>MCK200</b>	<b>2000</b>	1895	97
<b>MCK220</b>	<b>2200</b>	2095	97



#### Il codice MCK include:

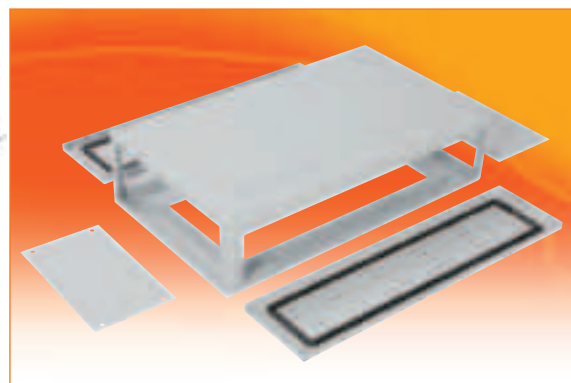
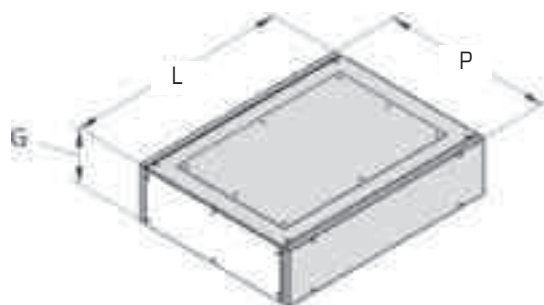
- Montante centrale MCK.;
- N° 4 dadi in gabbia DGM900;
- N° 4 viti M6x16 testa esagona finta rosetta.

#### A richiesta:

- cerniere per fissaggio porta o pannelli;
- clip per fissaggio pannelli fissi.

## CCTK - CANALE CAVI DA TETTO PER ARMADI SERIE OK

**Descrizione:** Le risalite cavi da tetto degli armadi OK sono costruite in lamiera di acciaio, sono usufruibili come vano cavi, canale di ventilazione oppure vano sbarre. Sono accoppiabili in batteria e garantiscono un grado di protezione IP 55.

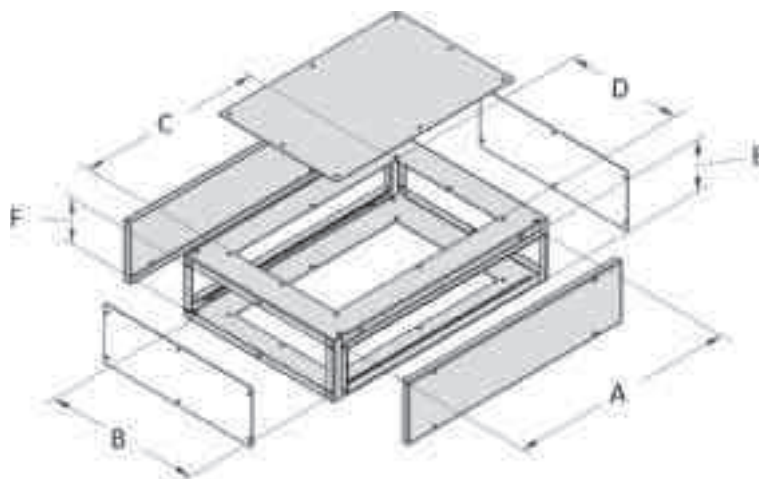

**CCTK**

### Il codice CCTK include:

- Struttura in lamiera pressopiegata;
- Coppia pannelli di chiusura anteriore e posteriore avvitati;
- Pannello di chiusura superiore;
- Viteria

### Elementi aggiuntivi:

- Coppia pannelli laterali cod. CCTK/F;
- Golfari di sollevamento (pag. 120);



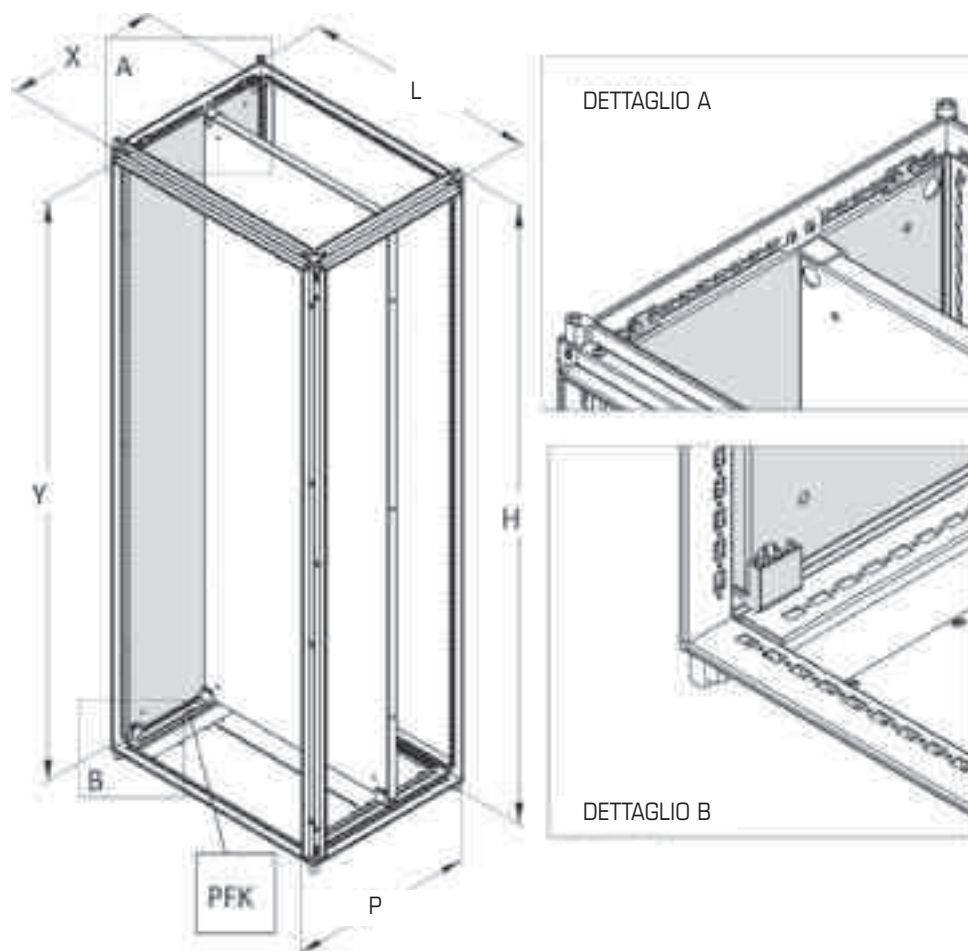
CODICE	Dimensioni nominali		Altre dimensioni							Coppia pannelli laterali
	L	P	G	A	B	C	D	E	F	CODE
<b>CCTK682</b>	<b>600</b>	<b>600</b>	<b>200</b>	538	505	404	380	138	147	<b>CCTK600/F</b>
<b>CCTK682</b>	<b>600</b>	<b>800</b>	<b>200</b>	538	705	404	580	138	147	<b>CCTK800/F</b>
<b>CCTK862</b>	<b>800</b>	<b>600</b>	<b>200</b>	738		604	380	138	147	<b>CCTK600/F</b>
<b>CCTK882</b>	<b>800</b>	<b>800</b>	<b>200</b>	738	705	604	580	138	147	<b>CCTK800/F</b>
<b>CCTKA62</b>	<b>1000</b>	<b>600</b>	<b>200</b>	938	505	804	380	138	147	<b>CCTK600/F</b>
<b>CCTKA82</b>	<b>1000</b>	<b>800</b>	<b>200</b>	938	705	804	580	138	147	<b>CCTK800/F</b>
<b>CCTKC62</b>	<b>1200</b>	<b>600</b>	<b>200</b>	1138	505	1004	380	138	147	<b>CCTK600/F</b>
<b>CCTKC82</b>	<b>1200</b>	<b>800</b>	<b>200</b>	1138	705	1004	580	138	147	<b>CCTK800/F</b>
<b>CCTK663</b>	<b>600</b>	<b>600</b>	<b>250</b>	538	505	404	380	188	197	<b>CCTK601/F</b>
<b>CCTK683</b>	<b>600</b>	<b>800</b>	<b>250</b>	538	705	404	580	188	197	<b>CCTK801/F</b>
<b>CCTK863</b>	<b>800</b>	<b>600</b>	<b>250</b>	738	505	604	380	188	197	<b>CCTK601/F</b>
<b>CCTK883</b>	<b>800</b>	<b>800</b>	<b>250</b>	738	705	604	580	188	197	<b>CCTK801/F</b>
<b>CCTKA63</b>	<b>1000</b>	<b>600</b>	<b>250</b>	938	505	804	380	188	197	<b>CCTK601/F</b>
<b>CCTKA83</b>	<b>1000</b>	<b>800</b>	<b>250</b>	938	705	804	580	188	197	<b>CCTK801/F</b>
<b>CCTKC63</b>	<b>1200</b>	<b>600</b>	<b>250</b>	1138	505	1004	380	188	197	<b>CCTK601/F</b>
<b>CCTKC83</b>	<b>1200</b>	<b>800</b>	<b>250</b>	1138	705	1004	580	188	197	<b>CCTK801/F</b>

## PFK - PIASTRA LATERALE PER ARMADI OK

**Descrizione:** la piastra di montaggio laterale per armadi serie OK è in lamiera zincata spessore 25/10 ed è installata lateralmente fra i montanti degli armadi mediante il kit APK110, solitamente utilizzato per l'arretramento piastra (vds. pag. 56).

### Il codice PFK include:

- Piastra di montaggio cod. PNA (pag. 20);
- Kit APK110 di arretramento piastra (pag. 56)



CODICE	Dimensioni nominali		Altre dimensioni	
	H	P	Y	X
PFK164	1600	400	1480	290
PFK165	1600	500	1480	390
PFK166	1600	600	1480	490
PFK184	1800	400	1680	290
PFK185	1800	500	1680	390
PFK186	1800	600	1680	490
PFK188	1800	800	1680	690
PFK18A	1800	1000	1680	890
PFK204	2000	400	1880	290
PFK205	2000	500	1880	390
PFK206	2000	600	1880	490
PFK208	2000	800	1880	690
PFK20A	2000	1000	1880	890
PFK226	2200	600	2080	490
PFK228	2200	800	2080	690
PFK22A	2200	1000	2080	890

**PFK**