

SERIES AF, MONOBLOCK ENCLOSURES IP 55

Description: the enclosures series AF have welded monoblock frame, rear removable panels in steel sheet thick 2.0 mm, doors in steel sheet thick 2.0 mm with inner stiffening frame, and mounting plates in galvanised steel thick 2.5 mm. Along the inner perymeter on the structure there are slots on regular pattern.

The enclosures are supplied with cable entry flanges. Painting is powder coating type, epoxy poliester RAL 7035 textured.

The series AF is available in the following versions:

- AFB** enclosures with blind door and rear panel screwed, mounting plate
- AFV** enclosure with external glazed door and inner blind door, rear panel screwed, mounting plate
- AFD** enclosure with glazed external door and inner modular frame.



Note: for technical sheets and details on the series AF refer to page 179, for accessories of the series AF see page 113 and following. For the complete range of handles available please refer to page 137

AFB - MONOBLOCK ENCLOSURE SINGLE DOOR

AFB ENCLOSURES WITH SINGLE DOOR, INCLUDE:

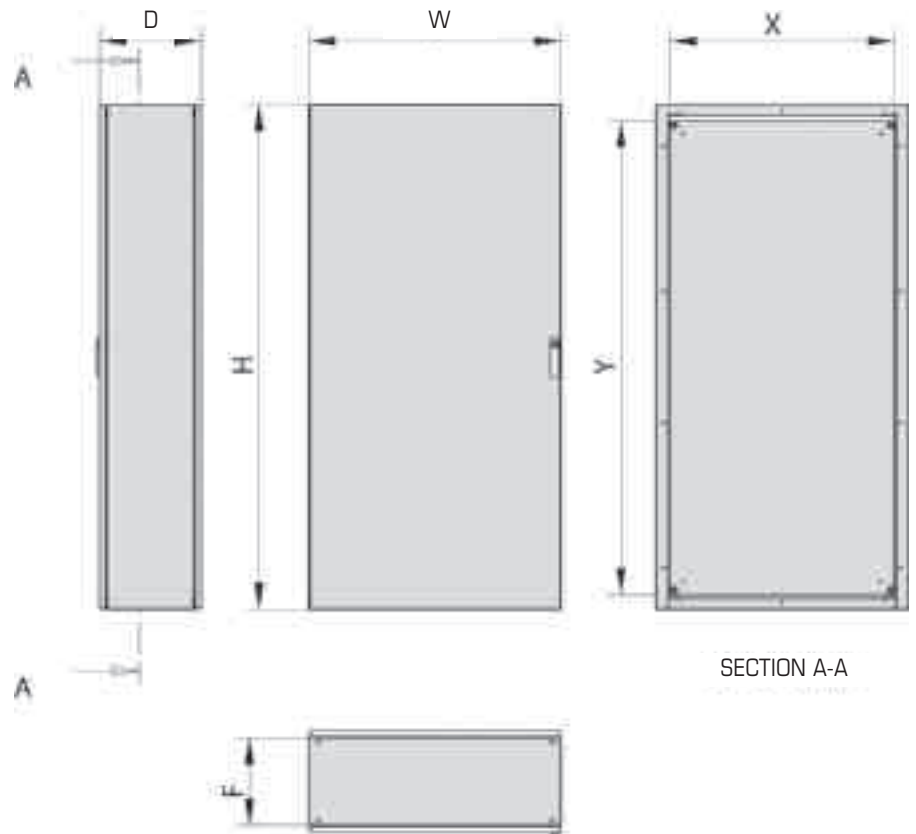
- Monoblock frame with cable entry;
- Blind door DBE opening 120°, espanolette locking system, 3 mm double bar type (page 18)
- RPE rear panel (page 19);
- PNA mounting plate (page 20).

Elements to be ordered separately:

- Lifting eyebolts GLR112 (see pag. 101);
- Plinth ZAK+ side flanges FLK H=100 mm (also 200 mm), (pages 22-23)

Note:

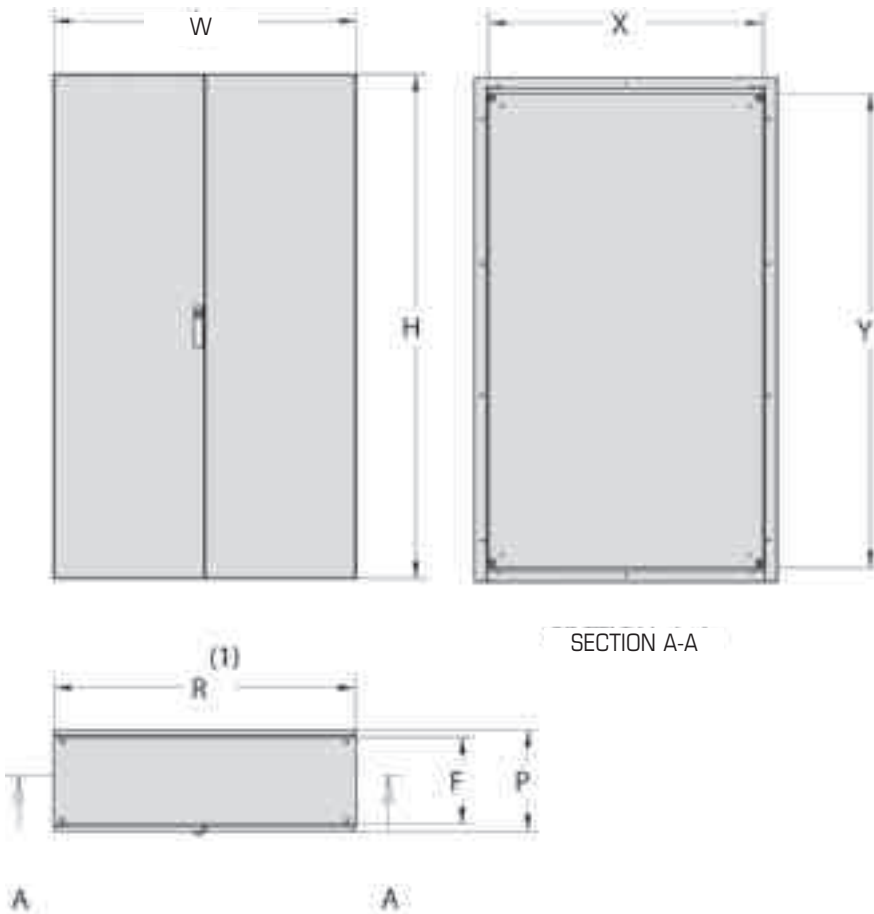
- Enclosures W<1000 mm have single door;
- Doors, rear panels and mounting plates are suitable for use on the OK series.



AFB

CODE	Nominal dimensions			Other dimensions			Dimensions m.plate	
				F	Code door	Code rear panel		
	H	W	D				X	Y
AFB1264	1200	600	400	346	DBE126	RPE126	490	1080
AFB1284	1200	800	400	346	DBE128	RPE128	690	1080
AFB12A4	1200	1000	400	346	DBE12A	RPE12A	890	1080
AFB1464	1400	600	400	346	DBE146	RPE146	490	1280
AFB1484	1400	800	400	346	DBE148	RPE148	690	1280
AFB14A4	1400	1000	400	346	DBE14A	RPE14A	890	1280
AFB1664	1600	600	400	346	DBE166	RPE166	490	1480
AFB1684	1600	800	400	346	DBE168	RPE168	690	1480
AFB16A4	1600	1000	400	346	DBE16A	RPE16A	890	1480
AFB1864	1800	600	400	346	DBE186	RPE186	490	1680
AFB1865	1800	600	500	446	DBE186	RPE186	490	1680
AFB1884	1800	800	400	346	DBE188	RPE188	690	1680
AFB1885	1800	800	500	446	DBE188	RPE188	690	1680
AFB18A4	1800	1000	400	346	DBE18A	RPE18A	890	1680
AFB18A5	1800	1000	500	446	DBE18A	RPE18A	890	1680
AFB2064	2000	600	400	346	DBE206	RPE206	490	1880
AFB2065	2000	600	500	446	DBE206	RPE206	490	1880
AFB2084	2000	800	400	346	DBE208	RPE208	690	1880
AFB2085	2000	800	500	446	DBE208	RPE208	690	1880
AFB20A4	2000	1000	400	346	DBE20A	RPE20A	890	1880
AFB20A5	2000	1000	500	446	DBE20A	RPE20A	890	1880

AFB - MONOBLOCK ENCLOSURE DOUBLE DOOR



AFB ENCLOSURES WITH DOUBLE DOORS ARE SUPPLIED WITH:

- monoblock frame with cable entry and flange;
- pair of blind doors DBE 120° opening (page 18);
- rear panel screwed RPE (pag. 19);
- mounting plate/s in galvanised steel code PNA (pag. 20).

Elements to be ordered separately:

- Lifting eyebolts GLR112 (pag. 121);
- Plinth ZAK + FLK H=100 mm (also available 200 mm) see pages 22-23

Note:

- Enclosures width > 1600 mm have two screwed rear panels;
- Doors, rear panels and mounting plates are suitable for use on the OK series enclosures.

CODE	Nominal dimensions			Other dimensions and codes				M. plate dimensions	
	H	W	D	F	R	Door codes	Rear panels	X	Y
AFB12C4	1200	1200	400	346	1192	DBE12C	RPE12C	1090	1080
AFB14C4	1400	1200	400	346	1192	DBE14C	RPE14C	1090	1280
AFB16C4	1600	1200	400	346	1192	DBE16C	RPE16C	1090	1480
AFB18C4	1800	1200	400	346	1192	DBE18C	RPE18C	1090	1680
AFB18C5	1800	1200	500	446	1192	DBE18C	RPE18C	1090	1680
AFB18E4	1800	1600	400	346	792 ⁽¹⁾	DBE18E	RPE18E	749⁽¹⁾	1680
AFB18E5	1800	1600	500	446	792 ⁽¹⁾	DBE18E	RPE18E	749⁽¹⁾	1680
AFB20C4	2000	1200	400	346	1192	DBE20C	RPE20C	1090	1880
AFB20C5	2000	1200	500	446	1192	DBE20C	RPE20C	1090	1880
AFB20E5	2000	1600	500	446	792 ⁽¹⁾	DBE20E	RPE20E	749⁽¹⁾	1880

Note:

- ⁽¹⁾ Pair of rear panels on enclosures width > 1600 mm, coupled by intermediate upright
- ⁽²⁾ Pair of mounting plates on enclosures width > 1600 mm, screwed together;
- Dimensional characteristics of doors and rear panels are shown at pages 18 and 19.
- Dimensional characteristics of mounting plates are shown at page 20.

AFV - MONOBLOCK ENCLOSURE WITH GLAZED DOOR

AFV ENCLOSURES ARE SUPPLIED WITH:

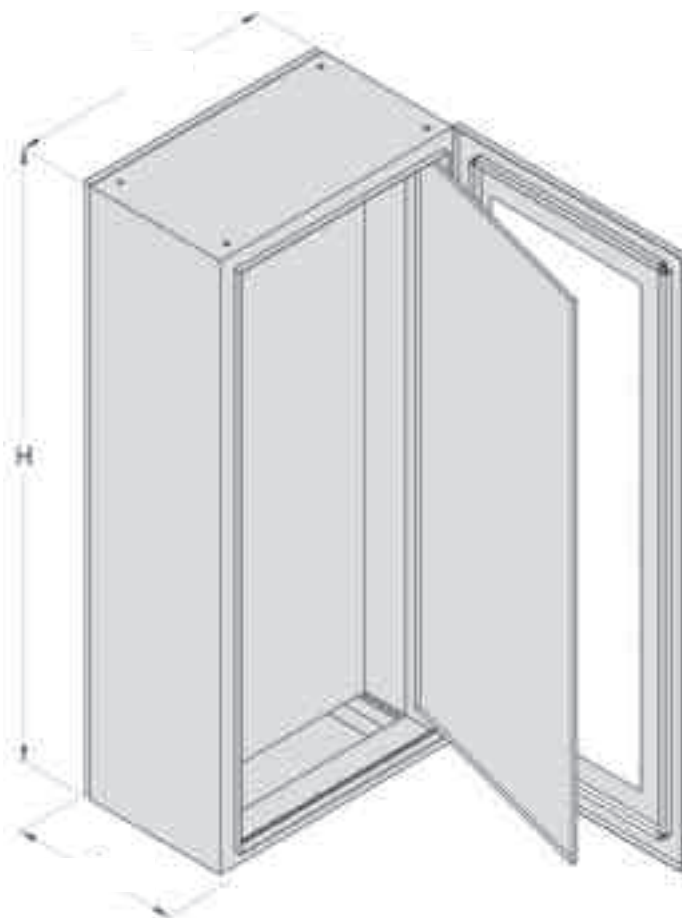
- Monoblock frame with cable entry and flanges;
- Glazed door DTE opening 120° (pag. 24), espanolette locking, 3 mm double bar;
- Inner blind door DBI (pag. 25);
- Rear panel RPE (pag. 19);
- Mounting plate PNA in galvanised steel (pag. 20).

Elements to be ordered separately:

- Lifting eyebolts GLR112 (pag. 121);
- Plinth ZAK + FLK H=100 mm (also available H=200 mm), see pag 22-23.;

Note:

- Enclosures W >1000 mm have double doors.



CODE	Nominal dimensions			Completing elements			M. plate dimensions	
	H	W	D	Glazed door code	Inner door code	Rear panel code	X	Y
AFV1264	1200	600	400	DTE126	DBI126	RPE126	490	1080
AFV1284	1200	800	400	DTE128	DBI128	RPE128	690	1080
AFV12A4	1200	1000	400	DTE12A	DBI12A	RPE12A	890	1080
AFV1464	1400	600	400	DTE146	DBI146	RPE146	490	1280
AFV1484	1400	800	400	DTE148	DBI148	RPE148	690	1280
AFV14A4	1400	1000	400	DTE14A	DBI14A	RPE14A	890	1280
AFV1664	1600	600	400	DTE166	DBI166	RPE166	490	1480
AFV1684	1600	800	400	DTE168	DBI168	RPE168	690	1480
AFV16A4	1600	1000	400	DTE16A	DBI16A	RPE16A	890	1480
AFV1864	1800	600	400	DTE186	DBI186	RPE186	490	1680
AFV1865	1800	600	500	DTE186	DBI186	RPE186	490	1680
AFV1884	1800	800	400	DTE188	DBI188	RPE188	690	1680
AFV1885	1800	800	500	DTE188	DBI188	RPE188	690	1680
AFV18A4	1800	1000	400	DTE18A	DBI18A	RPE18A	890	1680
AFV18A5	1800	1000	500	DTE18A	DBI18A	RPE18A	890	1680
AFV2064	2000	600	400	DTE206	DBI206	RPE206	490	1880
AFV2065	2000	600	500	DTE206	DBI206	RPE206	490	1880
AFV2084	2000	800	400	DTE208	DBI208	RPE208	690	1880
AFV2085	2000	800	500	DTE208	DBI208	RPE208	690	1880
AFV20A4	2000	1000	400	DTE20A	DBI20A	RPE20A	890	1880
AFV20A5	2000	1000	500	DTE20A	DBI20A	RPE20A	890	1880

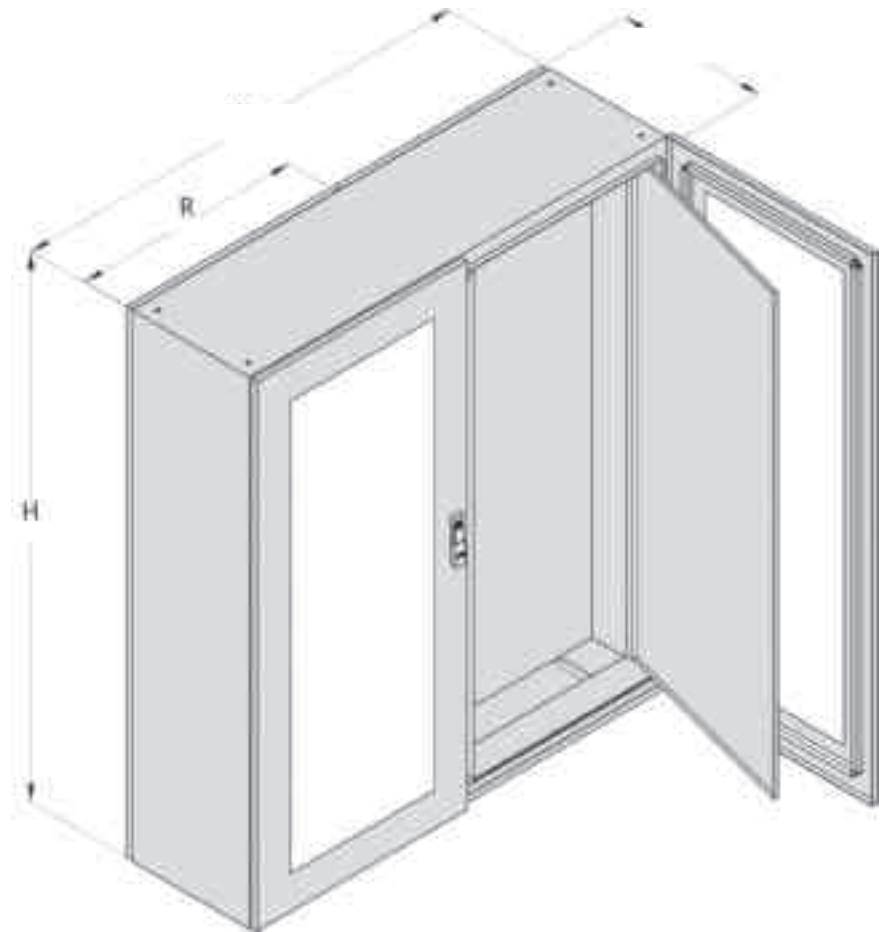
AFV - ENCLOSURE WITH DOUBLE GLAZED DOORS

AFV ENCLOSURES ARE SUPPLIED WITH:

- monoblock frames with cable entry and flanges;
- DTE double glazed doors, opening 120°, (pag. 24), espanolette locking system, double bar 3mm;
- DBI double inner doors opening 110°, (pag.25);
- RPE rear panel (pag.19);
- PNA mounting plate in galvanised steel (pag. 20).

Elements to be ordered separately:

- Lifting eyebolts GLR112 (pag. 121);
- Plinth ZAK + FLK H=100 mm (also H=200 mm), refer to page 22-23

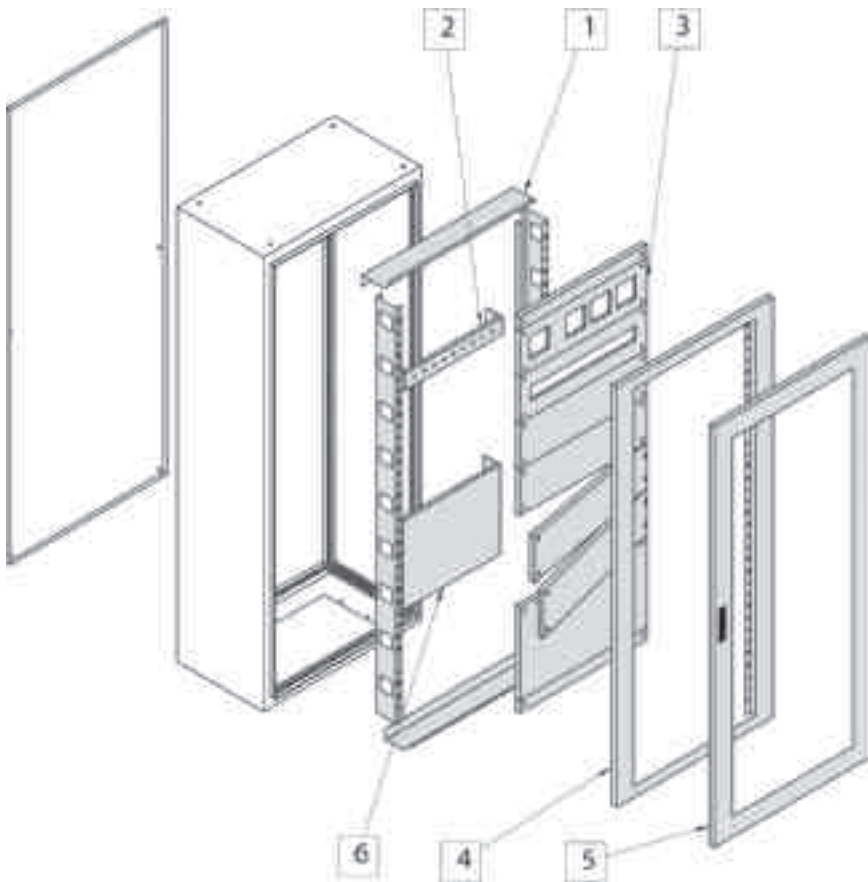


CODE	Nominal dimensions			Other dimensions and codes				M. plate dimensions	
				R	Glazed door codes	Inner dsoor codes	Rear panel codes		
	H	W	D					X	Y
AFV12C4	1200	1200	400	1192	DTE12C	DBI12C	RPE12C	1090	1080
AFV14C4	1400	1200	400	1192	DTE14C	DBI14C	RPE14C	1090	1280
AFV16C4	1600	1200	400	1192	DTE16C	DBI16C	RPE16C	1090	1480
AFV18C4	1800	1200	400	1192	DTE18C	DBI18C	RPE18C	1090	1680
AFV18C5	1800	1200	500	1192	DTE18C	DBI18C	RPE18C	1090	1680
AFV18E4	1800	1600	400	792 ⁽¹⁾	DTE18E	DBI18E	RPE18E	749⁽²⁾	1680
AFV18E5	1800	1600	500	792 ⁽¹⁾	DTE18E	DBI18E	RPE18E	749⁽²⁾	1680
AFV20C4	2000	1200	400	1192	DTE20C	DBI20C	RPE20C	1090	1880
AFV20C5	2000	1200	500	1192	DTE20C	DBI20C	RPE20C	1090	1880
AFV20E5	2000	1600	500	792 ⁽¹⁾	DTE20E	DBI20E	RPE20E	749⁽²⁾	1880

Note:

- ⁽¹⁾ Enclosures width 1600 mm have a rear intermediate upright and a pair of rear panels;
- ⁽²⁾ Enclosures width 1600 mm have a pair of mounting plates screwed together;
- Characteristic dimensions of glazed doors and rear panels are shown at pages 24 and 19;
- Characteristic dimensions of the mounting plates are shown at page 20.

AFD - ENCLOSURES WITH MODULAR INNER FRAME

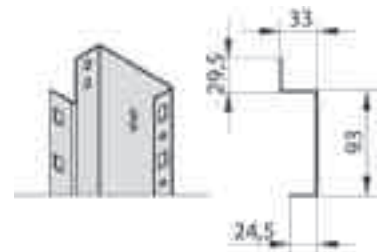


AFD enclosures are supplied with:

- monoblock frame
- RPE rear screwed panel (page 19)
- DTE transparent door (page 24)
- TMI modular inner frame

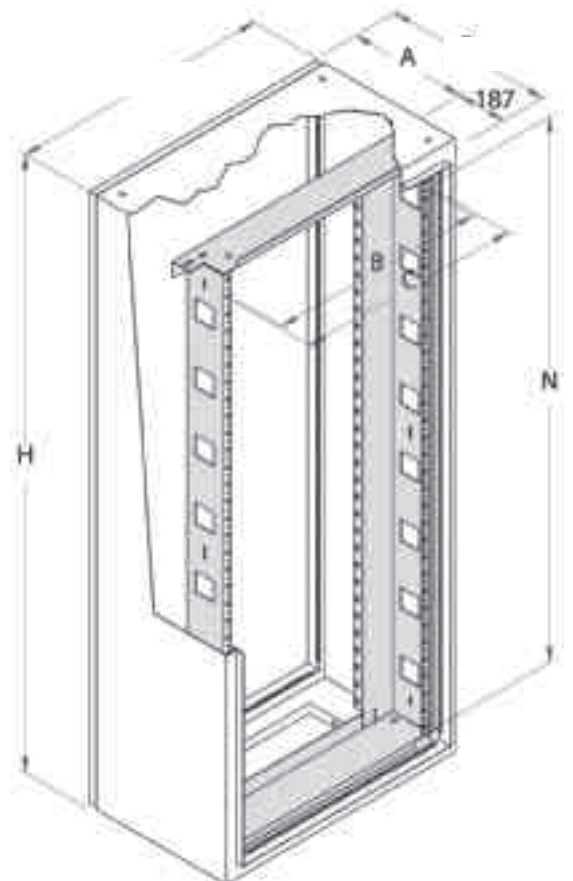
For details of the modular inner system please refer to page 38

SECTION, MODULAR FRAME



AFD

CODE	Nominal dimensions			Other dimensions			
	H	W	D	A	B	C	N
AFD1264	1200	600	400	200	440	465	1000
AFD1284	1200	600	400	200	440	465	1000
AFD1464	1400	600	400	200	440	465	1200
AFD1484	1400	800	400	200	640	665	1200
AFD1664	1600	600	400	200	440	465	1400
AFD1684	1600	800	400	200	640	665	1400
AFD1864	1800	600	400	200	440	465	1600
AFD1865	1800	600	500	300	440	465	1600
AFD1884	1800	800	400	200	640	665	1600
AFD1885	1800	800	500	300	640	665	1600
AFD2064	2000	600	400	200	440	465	1800
AFD2065	2000	600	500	300	440	465	1800
AFD2084	2000	800	400	200	640	665	1800
AFD2085	2000	800	500	300	640	665	1800



NOTE:

"N" is the total height to be filled with modular panels, the necessary compensation panels h=50mm each are not included in this dimension.

B - Distance between modular frame elements

C - Distance between modular frame slots

AF - MONOBLOCK FRAME

AF frame includes:

- Frame in pressbent and welded steel sheet;
- Cable entry with flanges;
- possibility of installing lifting eyebolts, plinths, various additional components

Note:

- Frames width=1600 mm have an intermediate rear upright;


AF

CODE	Nominal dimensions			Other dimensions					M. plate dimensions	
	H	W	D	F	G	I	S	T	X	Y
AF1264	1200	600	400	346	311	528	501	1111	490	1080
AF1284	1200	800	400	346	311	728	701	1111	690	1080
AF12A4	1200	1000	400	346	311	928	901	1111	890	1080
AF12C4	1200	1200	400	346	311	1128	1101	1111	1090	1080
AF1464	1400	600	400	346	311	528	501	1311	490	1280
AF1484	1400	800	400	346	311	728	701	1311	690	1280
AF14A4	1400	1000	400	346	311	928	901	1311	890	1280
AF14C4	1400	1200	400	346	311	1128	1101	1311	1090	1280
AF1664	1600	600	400	346	311	528	501	1511	490	1480
AF1684	1600	800	400	346	311	728	701	1511	690	1480
AF16A4	1600	1000	400	346	311	928	901	1511	890	1480
AF16C4	1600	1200	400	346	311	1128	1101	1511	1090	1480
AF1864	1800	600	400	346	311	528	501	1711	490	1680
AF1865	1800	600	500	446	411	528	501	1711	490	1680
AF1884	1800	800	400	346	311	728	701	1711	690	1680
AF1885	1800	800	500	446	411	728	701	1711	690	1680
AF18A4	1800	1000	400	346	311	928	901	1711	890	1680
AF18A5	1800	1000	500	446	411	928	901	1711	890	1680
AF18C4	1800	1200	400	346	311	1128	1101	1711	1090	1680
AF18C5	1800	1200	500	446	411	1128	1101	1711	1090	1680
AF18E4	1800	1600	400	346	311	1528	1501	1711	1490	1680
AF18E5	1800	1600	500	446	411	1528	1501	1711	1490	1680
AF2064	2000	600	400	346	311	528	501	1911	490	1880
AF2065	2000	600	500	446	411	528	501	1911	490	1880
AF2084	2000	800	400	346	311	728	701	1911	690	1880
AF2085	2000	800	500	446	411	728	701	1911	690	1880
AF20A4	2000	1000	400	346	311	928	901	1911	890	1880
AF20A5	2000	1000	500	446	411	928	901	1911	890	1880
AF20C4	2000	1200	400	346	311	1128	1101	1911	1090	1880
AF20C5	2000	1200	500	446	411	1128	1101	1911	1090	1880
AF20E5	2000	1600	500	446	411	1528	1501	1911	1490	1880

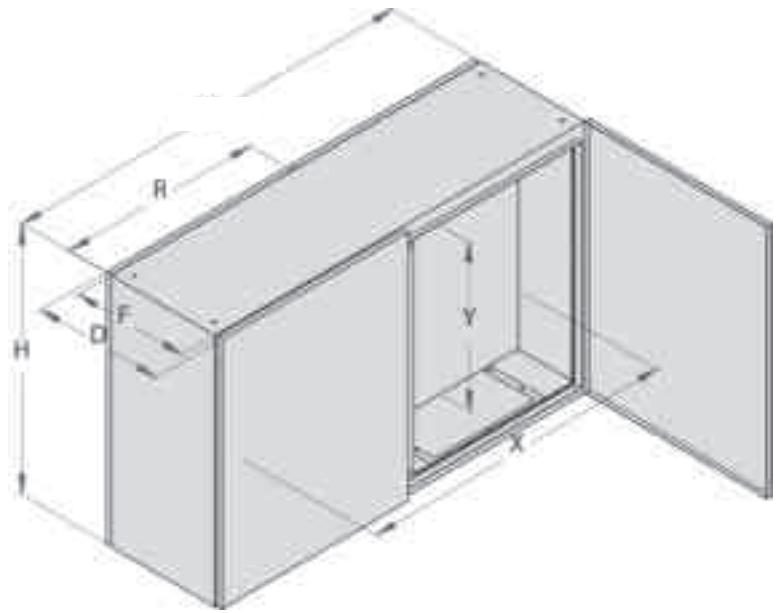
AFO - HORIZONTAL MONOBLOCK ENCLOSURES, WITH DOUBLE DOORS

MONOBLOCK ENCLOSURES AFO INCLUDE:

- Monoblock welded frame;
- Cable entry and flanges;
- Double front doors opening 120°;
- Screwed rear panel/s;
- Mounting plate/s

Elements to be ordered separately:

- GLR112 eyebolts, (pag 121).;
- Plinth ZAK + FLK h=100 mm (also H= 200 mm), pages 22-23;

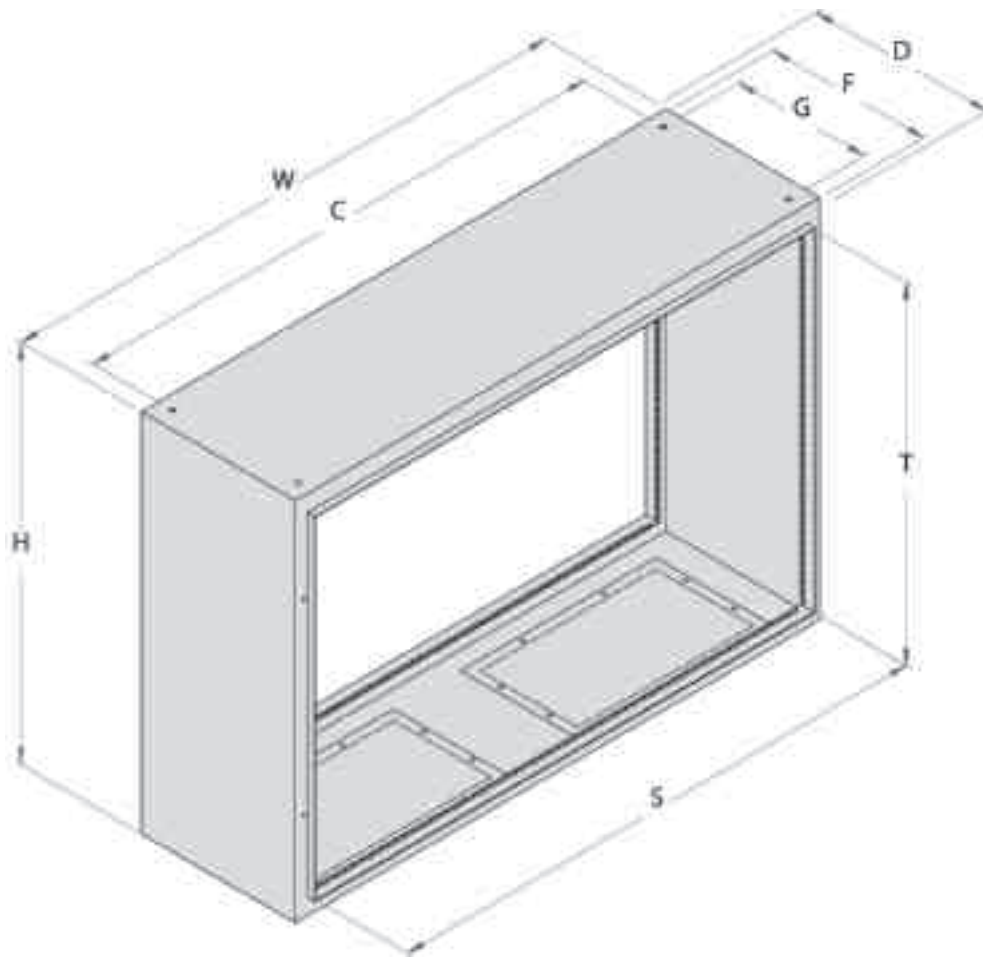


AFO

CODE	Nominal dimensions			Other dimensions and codes			M. plate dimensions	
	H	W	D	F	Door code	Rear panel code	X	Y
AF0061404	600	1400	400	346	DBE0614	RPE0614	1290	480
AF0081404	800	1400	400	346	DBE0814	RPE0814	1290	680
AF0061604	600	1600	400	346	DBE0616	RPE0616	1490	480
AF0081604	800	1600	400	346	DBE0816	RPE0816	1490	680
AF0101604	1000	1600	400	346	DBE1016	RPE1016	1490	880
AF0081804	800	1800	400	346	DBE0818	RPE0818	1690	680
AF0101804	1000	1800	400	346	DBE1018	RPE1018	1690	880
AF0082004	800	2000	400	346	DBE0820	RPE0820	1890	680
AF0102004	1000	2000	400	346	DBE1020	RPE1020	1890	880

Note:

Enclosures width=1600 mm have a pair of screwed rear panels.

AFO - FRAME FOR HORIZONTAL SERIES AF

 Monoblock frame **AFO** includes

- Monoblock welded frame;
- Cable entry with flanges;
- Possibility to install lifting eyebolts, plinths and various completing elements.

NOTE:

Frames width 1600mm have a rear intermediate upright;

AFO frame

CODE	Nominal dimensions			Other dimensions				
	H	W	D	F	G	I	S	T
AF061404	600	1400	400	346	311	1328	1301	511
AF081404	800	1400	400	346	311	1328	1301	711
AF061604	600	1600	400	346	311	1528	1501	511
AF081604	800	1600	400	346	311	1528	1501	711
AF101604	1000	1600	400	346	311	1528	1501	911
AF081804	800	1800	400	346	311	1728	1701	711
AF101804	1000	1800	400	346	311	1728	1701	911
AF082004	800	2000	400	346	311	1928	1901	711
AF102004	1000	2000	400	346	311	1928	1901	911