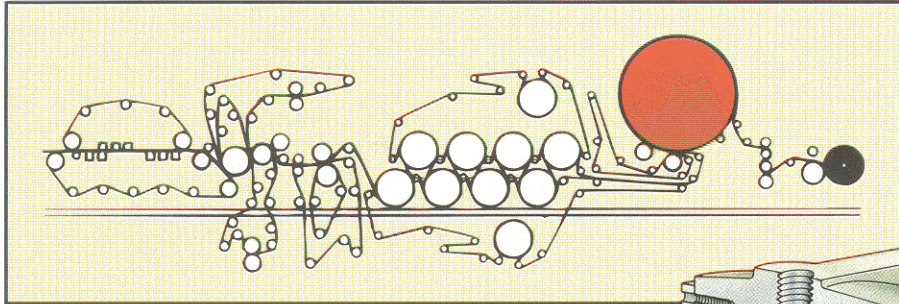
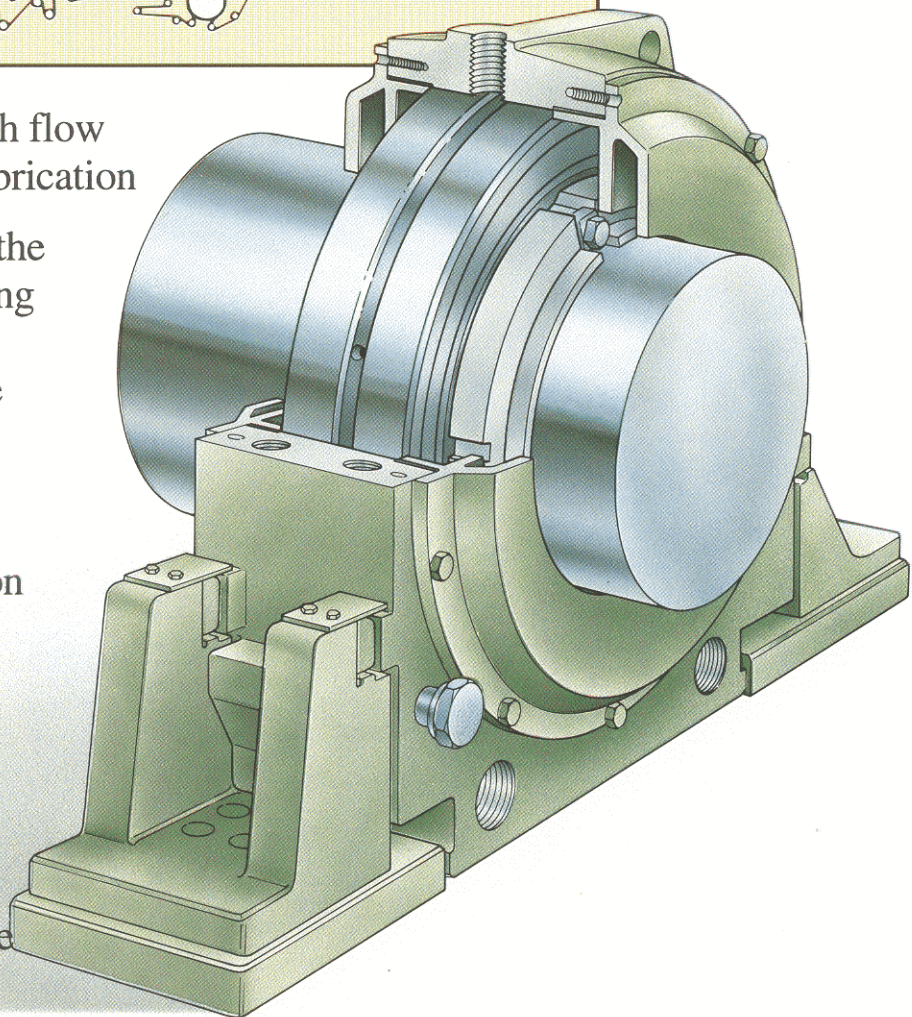


Housings for Yankee cylinder bearings



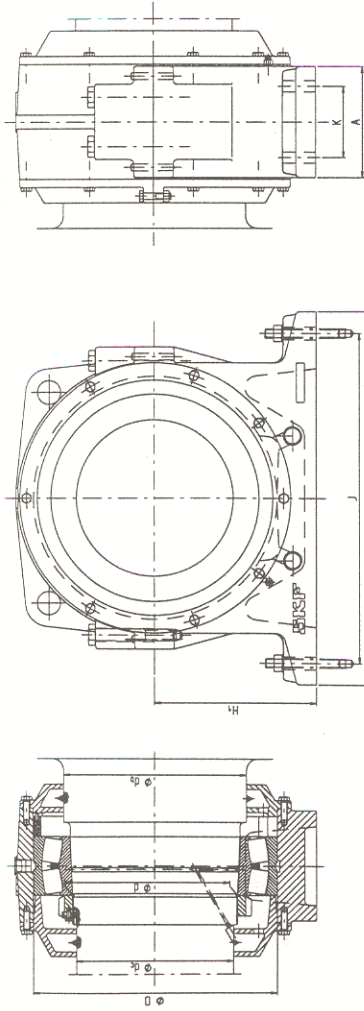
- Designed for high flow circulating oil lubrication
- The housing for the nonlocated bearing is mounted on rockers to reduce axial load on the bearing and the frame due to thermal expansion
- Housings are symmetrical
- Connections for conditioning monitoring
- Maintenance-free seals



SKF

Yankee cylinder bearing housings

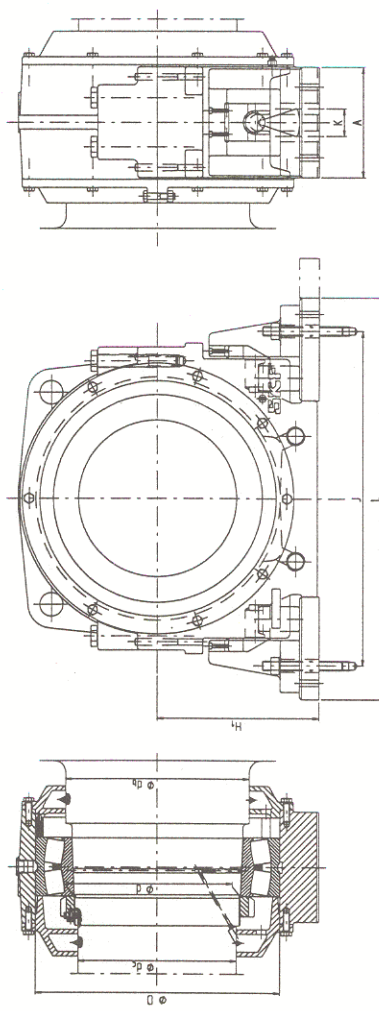
Drive side



Tab no.	Basic housing designation	BEARING		THREAD DESIGN STANDARD		SHAFT		HOUSING					
		Designation	d	Lock nut	Lock nut	Lock nut	d _h	d _c	A	D	H ₁	J	K
1	SDM 3068	23068 CCK/C4W33	340	HM 3068	N 068	380	320	260	520	345	760	170	860
2	SDM 3076	23076 CCK/C4W33	380	HM 3076	N 076	420	360	260	560	380	790	170	890
3	SDM 3084	23084 CCK/C4W33	420	HM 3084	N 084	465	400	280	620	410	840	180	950
4	SDM 3092	23092 CCK/C4W33	460	HM 3092	N 092	510	430	310	680	450	970	200	1090
5	SDM 30/530	230/530 CCK/C4W33	530	HM 30/530	N 530	580	500	360	780	510	1090	240	1200
6	SDM 30/600	230/600 CCK/C4W33	600	HM 30/600	N 600	660	560	410	870	550	1220	240	1360
7	SDM 30/670	230/670 CCK/C4W33	670	HM 30/670	N 670	750	630	420	960	620	1260	300	1380
8	SDM 3168	23168 CCK/C4W33	340	HM 3068	N 068	390	320	320	560	400	800	180	900
9	SDM 31/530	231/530 CCK/C4W33	530	HM 30/530	N 530	590	500	410	870	550	1220	240	1360

Yankee cylinder bearing housings

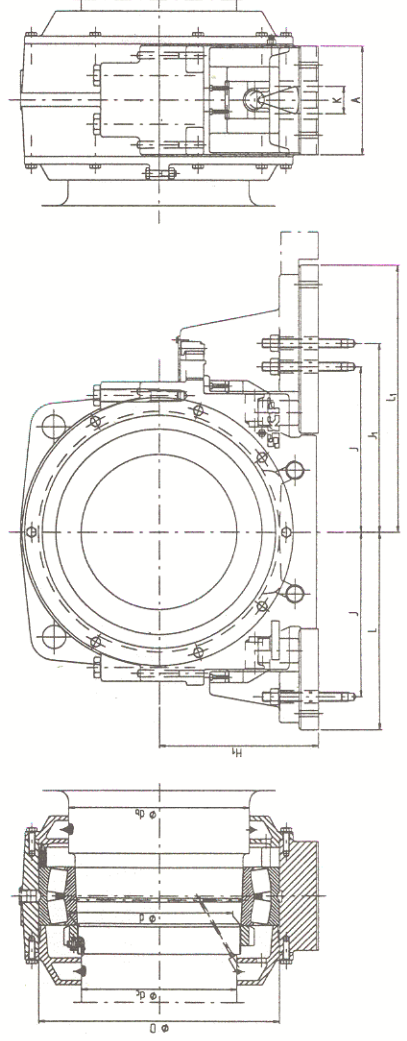
Tending side. Housing on 3 rockers without support rockers.



Tab no.	Basic housing designation	BEARING		THREAD DESIGN STANDARD		SHAFT		HOUSING					
		Designation	d	Lock nut	Lock nut	Lock nut	d _h	d _c	A	D	H ₁	J	K
1	SDM 3068	23068 CCK/C4W33	340	HM 3068	N 068	380	320	260	520	345	770	60	880
2	SDM 3076	23076 CCK/C4W33	380	HM 3076	N 076	420	360	260	560	380	800	60	900
3	SDM 3084	23084 CCK/C4W33	420	HM 3084	N 084	465	400	280	620	410	850	70	1020
4	SDM 3092	23092 CCK/C4W33	460	HM 3092	N 092	510	430	310	680	450	950	70	1100
5	SDM 30/530	230/530 CCK/C4W33	530	HM 30/530	N 530	580	500	360	780	510	1080	80	1200
6	SDM 30/600	230/600 CCK/C4W33	600	HM 30/600	N 600	660	560	410	870	550	1220	80	1360
7	SDM 30/670	230/670 CCK/C4W33	670	HM 30/670	N 670	750	630	420	960	620	1300	80	1420
8	SDM 3168	23168 CCK/C4W33	340	HM 3068	N 068	390	320	320	560	400	830	80	940
9	SDM 31/530	231/530 CCK/C4W33	530	HM 30/530	N 530	590	500	410	870	550	1220	80	1360

Yankee cylinder bearing housings

Tending side. Housing on 3 rockers with 2 support rockers.



Tab no.	Basic housing designation	BEARING		THREAD DESIGN STANDARD		SHAFT		HOUSING							
		Designation	d	Lock nut	Lock nut	Lock nut	d _h	d _c	A	D	H ₁	J	J ₁	K	L
1	SDM 3068	23068 CCK/C4W33	340	HM 3068	N 068	380	320	260	520	345	385	445	60	440	585
2	SDM 3076	23076 CCK/C4W33	380	HM 3076	N 076	420	360	260	560	380	400	460	60	450	675
3	SDM 3084	23084 CCK/C4W33	420	HM 3084	N 084	465	400	280	620	410	425	485	70	510	685
4	SDM 3092	23092 CCK/C4W33	460	HM 3092	N 092	510	430	310	680	450	475	535	70	550	780
5	SDM 30/530	230/530 CCK/C4W33	530	HM 30/530	N 530	580	500	360	780	510	540	670	80	600	830
6	SDM 30/600	230/600 CCK/C4W33	600	HM 30/600	N 600	660	560	410	870	550	610	690	80	680	950
7	SDM 30/670	230/670 CCK/C4W33	670	HM 30/670	N 670	750	630	420	960	620	650	730	80	710	1015
8	SDM 3168	23168 CCK/C4W33	340	HM 3068	N 068	390	320	320	560	400	415	475	80	470	690
9	SDM 31/530	231/530 CCK/C4W33	530	HM 30/530	N 530	590	500	410	870	550	610	690	80	680	950