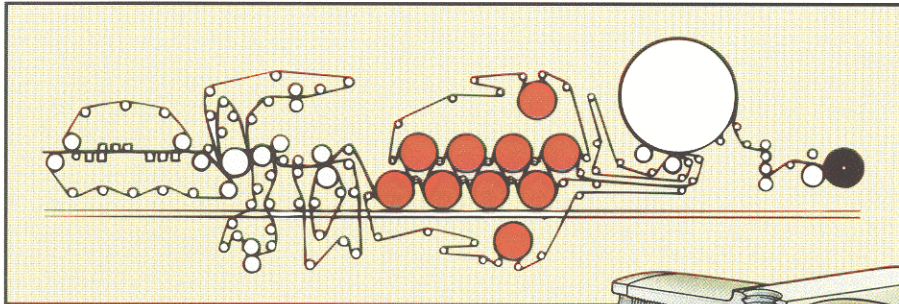
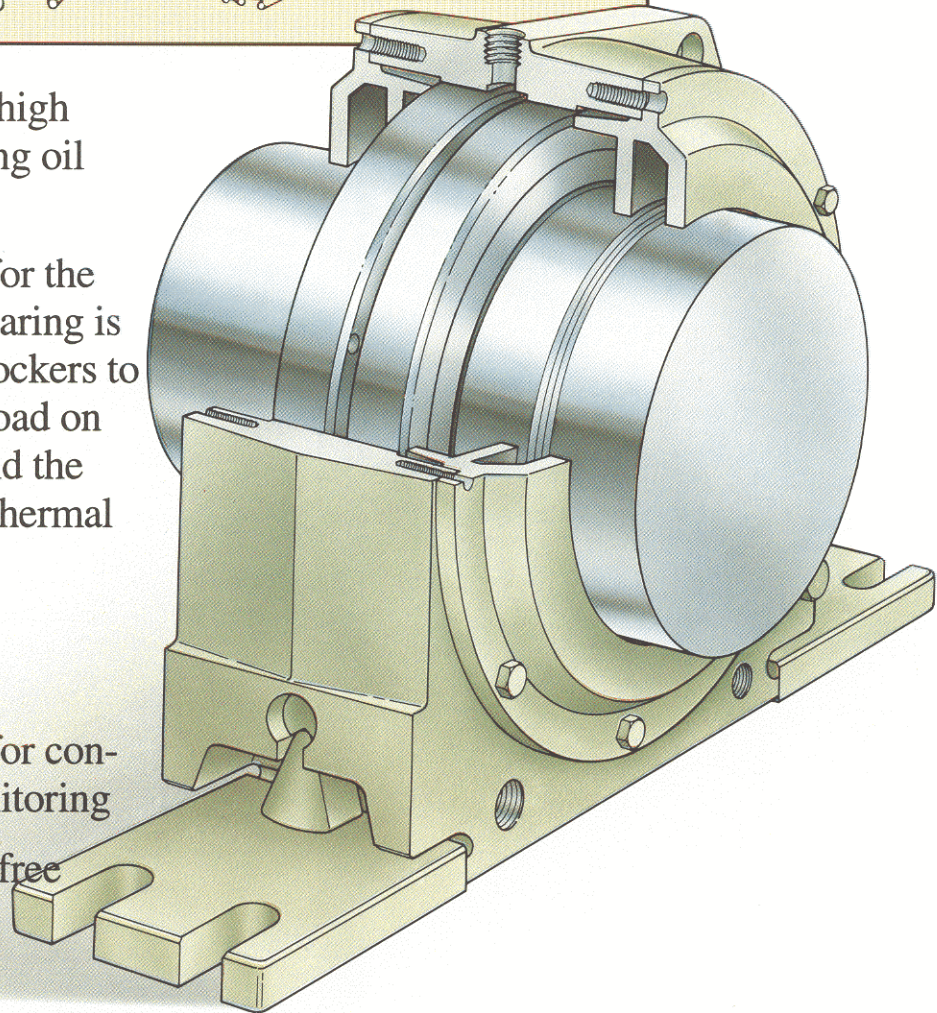


Housings for drying cylinder bearings



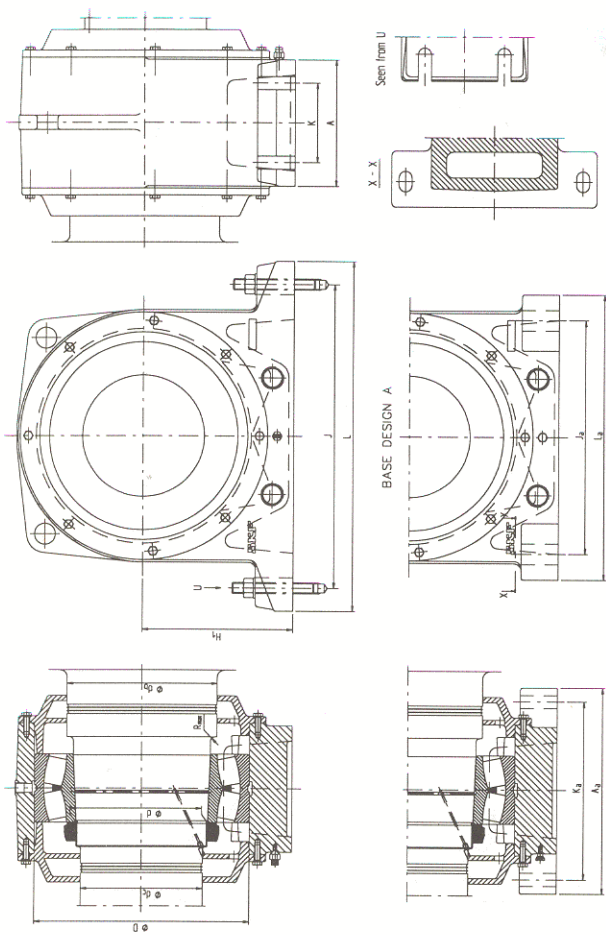
- Designed for high flow circulating oil lubrication
- The housing for the nonlocated bearing is mounted on rockers to reduce axial load on the bearing and the frame due to thermal expansion
- Housings are symmetrical
- Connections for conditioning monitoring
- Maintenance-free seals



SKF

Drying cylinder bearing housings

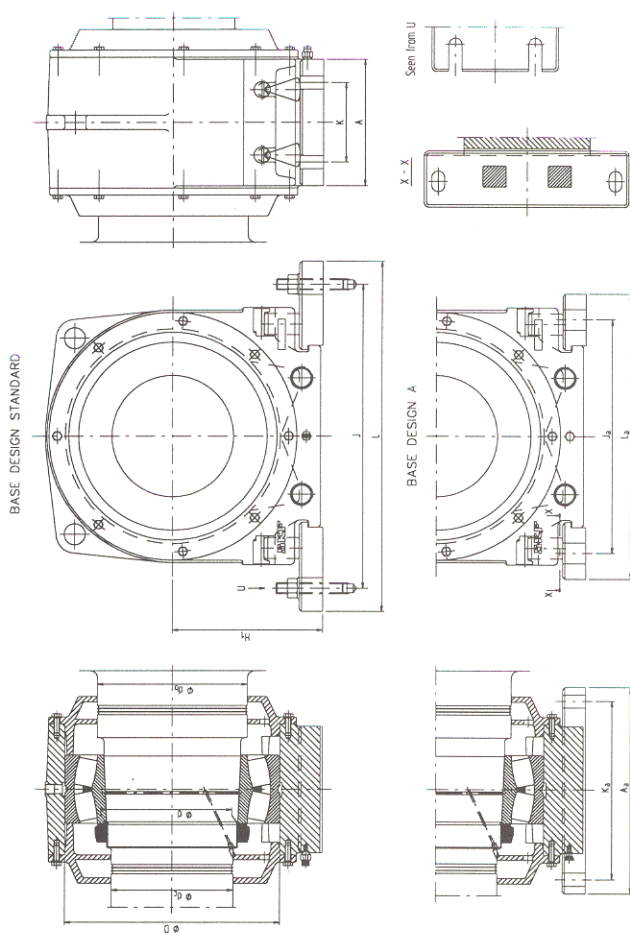
Drive side



Tab no.	Basic housing designation	BEARING		THREAD DESIGN STANDARD		THREAD DESIGN N9		SHAFT		HOUSING		BASE DESIGN STANDARD		BASE DESIGN A			
		Designation	d	Lock nut	Lock nut	Lock nut	d _s	d _c	D	H ₁	A	J	K	L	A ₀	L ₀	
1	SBP 3136	23136 CGK/C4W33	180	KMT 36	N 036	200	160	300	220	170	440	90	520	340	320	280	400
2	SBP 3140	23140 CGK/C4W33	200	KMT 40	N 040	230	180	340	240	200	485	115	570	370	350	310	440
3	SBP 3144	23144 CGK/C4W33	220	KMT 44	N 044	250	200	370	265	235	550	135	640	400	380	340	490
4	SBP 3148	23148 CGK/C4W33	240	KMT 48	N 048	275	220	400	285	250	580	150	680	410	425	350	530
5	SBP 3152	23152 CGK/C4W33	260	KMT 52	N 052	300	240	440	310	265	620	160	720	435	470	375	580
6	SBP 3156	23156 CGK/C4W33	280	KMT 56	N 056	320	260	460	320	270	650	170	750	440	500	380	610
7	SBP 3160	23160 CGK/C4W33	300	KMT 60/VZ427	N 060	340	280	500	335	300	720	180	820	470	560	410	670

Drying cylinder bearing housings

Front side



Tab no.	Basic housing designation	BEARING		THREAD DESIGN STANDARD		THREAD DESIGN N9		SHAFT		HOUSING		BASE DESIGN STANDARD		BASE DESIGN A			
		Designation	d	Lock nut	Lock nut	Lock nut	d _s	d _c	D	H ₁	A	J	K	L	A ₀	L ₀	
1	SBP 3136	23136 CGK/C4W33	180	KMT 36	N 036	200	160	300	220	170	440	90	520	340	320	280	400
2	SBP 3140	23140 CGK/C4W33	200	KMT 40	N 040	230	180	340	240	200	485	115	570	370	350	310	440
3	SBP 3144	23144 CGK/C4W33	220	KMT 44	N 044	250	200	370	265	235	550	135	640	400	380	340	490
4	SBP 3148	23148 CGK/C4W33	240	KMT 48	N 048	275	220	400	285	250	580	150	680	410	425	350	530
5	SBP 3152	23152 CGK/C4W33	260	KMT 52	N 052	300	240	440	310	265	620	160	720	435	470	375	580
6	SBP 3156	23156 CGK/C4W33	280	KMT 56	N 056	320	260	460	320	270	650	170	750	440	500	380	610
7	SBP 3160	23160 CGK/C4W33	300	KMT 60/VZ427	N 060	340	280	500	335	300	720	180	820	470	560	410	670